



# UFORCE 1000 UFORCE 1000 XL

## *Owner's Manuel* *Guide du propriétaire*

Read this operator's guide thoroughly.  
It contains important safety information.

Minimum recommended operating age: 16 or older.

Keep this operator's guide with the vehicle at all times.

The removal or modification of evaporative emission-related parts on this OHRV is illegal. Violators may be subject to civil and/or criminal penalties under California and federal law.

Lisez attentivement ce guide de l'opérateur, il contient des informations de sécurité importantes. Âge minimum recommandé la conduite de ce véhicule : 16 ans ou plus.

Conservez ce guide de l'opérateur avec le véhicule à tout moment. Le retrait ou la modification de pièces liées aux émissions par évaporation sur cet OHRV est illégal. Les contrevenants peuvent être soumis à des sanctions civiles et/ou pénales en vertu de la loi californienne et fédérale.



# TABLE OF CONTENTS

<b>Foreword</b> .....	<b>1</b>
Welcome .....	1
EVAP System (Evaporative Emission Control System) .....	2
Catalytic Converter.....	2
Signal Words.....	3
Introduction .....	6
Vehicle Identification Numbers / Keys.....	7
Specifications .....	8
<b>Operator Safety</b> .....	<b>14</b>
General Safety Precautions .....	14
Owner Responsibilities.....	18
Safe Riding Gear.....	22
Safety Labels, Locations and Warnings.....	25
Potential Hazard Warnings.....	35
<b>Controls and Features</b> .....	<b>50</b>
Primary Controls .....	50
Secondary Controls.....	55
Vehicle Feature Locations and Descriptions .....	60
CVT System .....	72
Engine Braking System (EBS) .....	73

How To Avoid CVT Drive Belt and Component Failure .....	74
Dashboard Indicators and Operation - Normal / Work Modes .....	77
<b>Operating Your Vehicle .....</b>	<b>85</b>
Break-In Period .....	85
Pre-Ride Inspection.....	88
Throttle .....	88
Foot Brake.....	88
Starting the Engine.....	89
Shifting the Transmission .....	90
<b>Safe Operation - Driving Safely.....</b>	<b>93</b>
Responsibilities of the Operator .....	93
Practice Exercises.....	97
Operating Your Vehicle.....	100
Hauling and Towing Loads .....	105
Winch Operation .....	110
<b>Maintenance.....</b>	<b>120</b>
Severe Use Definition .....	120
Periodic Maintenance Schedule and Icon Key.....	121
Pre-Ride Maintenance Checklist.....	122
Break-In Maintenance Checklist .....	125
Periodic Maintenance Schedule.....	127
Maintenance Procedures .....	134

<b>Cleaning and Storage .....</b>	<b>170</b>
<b>Transporting the Vehicle .....</b>	<b>174</b>
<b>Vehicle Issue Diagnosis .....</b>	<b>175</b>
Engine Troubleshooting .....	175
EFI Malfunction Indicator Light .....	179
EPS Malfunction Indicator Light .....	180
Electronic Power Steering (EPS) Fault Diagnosis and Solution .....	181
<b>CFMOTO Limited Warranty.....</b>	<b>182</b>
Warranty Terms & Conditions .....	182
U.S.A. EPA and CARB Emissions Control Limited Warranty .....	190
Noise Control System and Tampering .....	193
Change of Ownership .....	194
<b>Telematics Box .....</b>	<b>195</b>

# FOREWORD

## Foreword

### Welcome

Thank you for purchasing a CFMOTO vehicle, and welcome to our world-wide family of CFMOTO enthusiasts. Be sure to visit us online at [www.cfmoto.com](http://www.cfmoto.com) for the latest news, new product introductions, upcoming events, and more.

CFMOTO is an international company that specializes in the development, manufacture, and marketing of all-terrain vehicles, utility vehicles, large displacement motorcycles, and their core components. Founded in 1989, CFMOTO is devoted to the development of independent brand cultivation and R&D innovation. CFMOTO products are currently distributed through more than 2000 companions worldwide in more than 100 countries and regions. CFMOTO is edging into the advanced ranks in the world of powersports, and aims to supply superior products to dealers and fans globally.

For safe and enjoyable operation of your vehicle, be sure to follow the instructions and recommendations in this owner's manual. Your manual contains instructions for minor maintenance. Information about major repairs is outlined in the CFMOTO Service Manual.

Your CFMOTO dealer knows your vehicle best and is interested in your total satisfaction. Be sure to return to your dealership for all of your service needs during, and after, the warranty period.

The information in this manual includes the most current product information available at the time of publishing and may contain product information that does not apply to your particular market. The instructions contained in this publication are not legally binding. CFMOTO reserves the right to modify or completely delete technical instructions, service instructions, maintenance instructions, prices, colors, shapes, materials, designs, configurations and similar content without prior notice and without reason. Due to continuous improvements in the design and quality of production components, minor discrepancies may result between the actual vehicle and the information provided within. No liability can be accepted for omissions, deviations, inaccuracies, printing defects or errors in the delivery method, drawings and instructions. Any reproduction or reuse of the images, descriptions and/or procedures within, whether whole or in part, is expressly prohibited without written permission from the copyright holder.

This manual applies to the following models: CF1000UZ, CF1000UU, CF1000UU-2, CF1000UZ-2 CM1000UZ CM1000UZ-2.

## FOREWORD

### WARNING

The engine exhaust from this product contains chemicals known to the State of California to cause cancer, birth defects or other reproductive harm.

## EVAP System (Evaporative Emission Control System)

### (If equipped)

When required by environmental emissions regulations, this vehicle is manufactured with a fuel evaporation system (EVAP) to prevent fuel vapors entering the atmosphere from the fuel tank and fuel system.

During routine maintenance, visually inspect all hose connections for leaks or blockage. Ensure the hoses are not clogged or kinked, which could damage the fuel pump or distort the fuel tank. No other maintenance is necessary.

Contact your dealer if repair is required. Do not modify the EVAP system. Modifying any part of this system will violate environmental emissions regulations.

## Catalytic Converter

### **CAUTION: Please pay attention to the following to protect your catalytic converter:**

- Use only unleaded gasoline. Even gasoline that contains a little lead could damage the reactive metals contained in the catalytic converter and disable it.
- Never add rust preventive oil or engine oil into the muffler. Doing so could damage the catalytic converter.

**NOTE:** Some features described within this manual may not apply to models sold in North America.

All descriptions and directions given are from the operator's perspective when properly seated.

## FOREWORD

### Signal Words

A signal word calls attention to a safety message or messages, a property damage message or messages, and designates a degree or level of hazard seriousness. The standard signal words in this manual are WARNING, CAUTION and NOTE or NOTICE.

The following signal words and symbols appear throughout this manual and on your vehicle. Your safety is involved when these words and symbols are used. Become familiar with their meanings before reading the manual:

#### **WARNING**

This safety alert and icon indicates a potential hazard that may result in serious injury or death.

#### **CAUTION**

This safety alert and icon indicates a potential hazard that may result in minor or moderate personal injury and/or damage to the vehicle.

#### **CAUTION**

This safety alert without an icon indicates a situation that may result in damage to the vehicle.

#### **NOTE or NOTICE**

A note or notice will alert you to important information or instructions.



## FOREWORD



### NEVER:

- Operate without proper training or instruction.
- Operate on public roads. A collision can occur with another vehicle.
- Operate on paved roads. Pavement may seriously affect handling and control.
- Operate at speeds too fast for your skill, conditions, or the terrain.
- Use ALCOHOL or DRUGS before or while driving this vehicle.

### ALWAYS:

- Avoid paved surfaces, which may adversely affect the handling and control.
- Use proper driving techniques to avoid vehicle overturn on hills, rough terrain, and when turning.
- Wear eye protection, helmet and protective clothing.

**FOREWORD**  
**READ THE OWNER'S MANUAL**  
**FOLLOW ALL INSTRUCTIONS AND WARNINGS**

** WARNING**

**Read, understand, and follow all of the instructions and safety precautions in this manual and on all product labels. Failure to follow the safety precautions could result in serious injury or death.**

** WARNING**

**The engine exhaust gas from this product contains CO, which is deadly gas and could cause headaches, giddiness, loss of consciousness, or even death. Always avoid starting the vehicle in areas with poor ventilation.**

## INTRODUCTION

### Introduction

Thank you for purchasing a CFMOTO vehicle, and welcome to our world-wide family of CFMOTO enthusiasts.

For safe and enjoyable operation of your vehicle, be sure to follow the instructions and recommendations in this owner's manual. Information about major repairs are outlined in the CFMOTO Service Manual, and should only be performed by a CFMOTO service dealer and technician. Be sure to return to your dealership for all of your service needs during, and after, the warranty period.

If you have questions or concerns about your vehicle

All questions or concerns related to your vehicle should be directed to your local CFMOTO dealer first. Your dealer knows your vehicle best and is interested in your total satisfaction. In the event your local dealer is unable to resolve a product issue or concern, you can reach a CFMOTO customer service representative depending on the market you reside in:

For USA: Please contact CFMOTO POWERSPORTS, INC. TEL: 763-398-2690, by e-mail: [info@cfmotousa.com](mailto:info@cfmotousa.com), or online: <https://cfmotousa.com/customer-care/customer-care-contact>. Please note that customer service does not have authority to approve or deny warranty, and cannot provide technical repair data, diagnosis, or instructions.

For CANADA: Please contact CANADA MOTOR IMPORT INC. TEL: 1-418-227-2077, or online: <https://www.cfmoto.ca/en/customer-care/>.

For a safety concern related to your Canadian vehicle, you may report your concern to Transport Canada Defect Investigation and Recalls Division by mail, telephone, or online using the contact information below:

Mailing address: Transport Canada - ASFAD, 330 Sparks Street, Ottawa, ON, K1A 0N5

TEL: 819-994-3328 (Ottawa-Gatineau area or international) or toll-free: 1-800-333-0510 (In Canada)

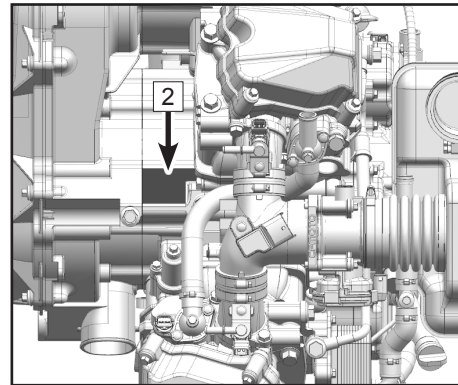
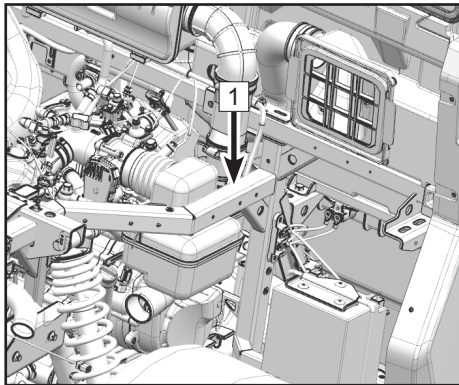
Online: <http://www.tc.gc.ca/recalls>

## INTRODUCTION

### Vehicle Identification Numbers / Keys

Record your vehicle's identification numbers in the spaces provided. Remove the spare key and store in a safe place. Your key can be duplicated only by mating a key blank with one of your existing keys.

If both keys are lost, the complete key switch assembly must be replaced.



1. Vehicle Identification Number: \_\_\_\_\_

2. Engine Serial Number: \_\_\_\_\_

## SPECIFICATIONS

### Specifications

Item	UFORCE 1000	UFORCE 1000 XL
Overall Length	115.9 in. (2945 mm)	147.4 in. (3745 mm)
Overall Width	63.6 in. (1615 mm)	63.6 in. (1615 mm)
Overall Height	72.8 in. (1850 mm)	74 in. (1880 mm)
Wheel Base	80.7 in. (2050 mm)	112.2 in. (2850 mm)
Ground Clearance	11 in. (280 mm)	12 in. (310 mm)
Min. turning radius	161.4 in. (4100 mm)	216.5 in. (5500 mm)
Basic Weight	1625 lb. (737 kg)	1933 lb. (877 kg)
Rear Cargo Box Weight Capacity	770.9 lb. (350 kg)	770.9 lb. (350 kg)
Maximum Vehicle Load Allowed	1508.8 lb.(685 kg)	1455 lb. (660 kg)
Recommended Towing Capacities:		
Towing Hitch Weight	99 lb. (45 kg)	99 lb. (45 kg)
Trailer and Cargo Weight (unbraked)	2500 lb. (1134 kg)	2500 lb. (1134 kg)
Engine Model And Type	2V91Y	
Type	V-twin, 4-stroke, liquid-cooled, 8 valves, SOHC	

## SPECIFICATIONS

Item	UFORCE 1000	UFORCE 1000 XL
Bore × Stroke	3.5 in.x 2.91 in. (91 mmx 74 mm) x 2	
Displacement	962.6 ml	
Compression Ratio	10.6:1	
Starting Type	Electric start	
Lubrication Type	Pressure / Splash lubrication	
Engine Oil: Type	SAE 10W-40 SAE 5W-40 / SAE 15W-40 (See page 87 for oil viscosity chart)	
Engine Oil Volume: Capacity Change / Oil Filter	2.73 qt. (2.6 L) 2.63 qt. (2.5 L)	
Transmission oil Type	SAE75W-90GL-5	
Capacity Change	0.62 qt. (0.6 L)	
Coolant: Type	CFMOTO uses Organic Acid Technology (OAT) coolant in all liquid-cooled engines. Do not mix with inorganic (IAT) coolant.	
Capacity Mix Ratio	4.44 qt. (4.2 L) 50% coolant / 50% distilled water	

## SPECIFICATIONS

Item	UFORCE 1000	UFORCE 1000 XL
Rear Differential Oil:		
Type	SAE80W/90GL-5	
Volume:		
Periodic Oil Change	13.5 oz. (400 ml)	
Front Differential Oil:		
Type	SAE80W/90GL-5	
Volume		
Periodic Oil Change	8.45 oz. (250 ml)	
Air Filter	Paper type	
Fuel Type	89 or higher unleaded gasoline	
Fuel Tank Capacity	10.6 gallons (40 L)	
Fuel Reserve Amount At Fuel Gauge 'Flash' (Approximate)	0.9 gallons (3.5 L)	

## SPECIFICATIONS

Item		UFORCE 1000	UFORCE 1000 XL
Spark Plug Type		DCPR8E (NGK)	
Spark Plug Gap		0.031in ~ 0.035in. (0.8mm~0.9mm)	
Transmission	Transmission		CVT + Gearbox
	Gear Shift/Order		Manual / L—H—N—R—P
	CVT Ratio		0.70~2.88
	Engine Brake System (EBS)		Australia Market Only
	Gear Ratio	Low Gear	43/17=2.529
		High Gear	32/28=1.143
Reverse		29/13=2.231	
Chassis Frame		Steel tube	
Tires:			
Type		Tubeless	
Front		27 × 9.00 R14 60L / 27×9.11-14 61L	
Rear		27 × 11.00 R14 66L / 27×11.00-14 70L	
Wheel Bolt Pattern		4x110mm	



## SPECIFICATIONS

Item	UFORCE 1000	UFORCE 1000 XL
Tire Pressure:		
Front	10 PSI (70 kPa)	14 PSI (100 kPa)
Rear	14 PSI (100 kPa)	17 PSI (120 kPa)
Air pressure for full load and high speed:		
Front	17 PSI (120 kPa)	17 PSI (120 kPa)
Rear	22 PSI (150 kPa)	22 PSI (150 kPa)
Brake System:	Front axles: Double-disc / Rear axles: Double-disc	
Foot Brake Type / Operation	Foot operated	
	Four wheel disc	
Parking Brake Type / Operation	Operated by hand Rear wheel mechanical disc brake only	
Brake Fluid Type	DOT 4	
Suspension:		
Front Suspension	Double A-arm independent	
Rear Suspension	Double A-arm independent	
Shock Absorber:		
Front Shock Absorber	Coil spring / Oil dampened	
Rear Shock Absorber	Coil spring / Oil dampened	

## SPECIFICATIONS

Item	UFORCE 1000	UFORCE 1000 XL
Wheel Travel:		
Front Wheel Travel	9.1 in. (230 mm)	9.1 in. (230 mm)
Rear Wheel Travel	8.6 in. (220 mm)	8.6 in. (220 mm)
Electrical System:	Electronic	
Ignition	Rectified A/C 600 Watt @ 5000 rpm	
Charging	12 Vdc / 30 Amp Hr	
Battery	EPS - 40A (If equipped)	
Fuses	Main fuse - 40A	
	Headlight - 15A	
	Signal control - 15A	
	EFI - 15A	
	Fan - 15A	
	Back-up / spare - 15A	
	Fuel pump - 10A	
	Back Up - 15A	
Light System:	LED - LED light assembly	
Headlight:	Halogen lamp (Select markets HS1 35/35W)	

## OPERATOR SAFETY

### Operator Safety

#### General Safety Precautions

 <b>WARNING</b>
--

Failure to heed the warnings contained in this manual can result in serious injury or death. This vehicle is not a toy and can be hazardous to operate. This vehicle handles differently from other vehicles, such as motorcycles and cars. A collision or rollover can occur quickly, even during routine maneuvers like turning or driving over obstacles, if you fail to take proper precautions.

Read this owner's manual. Understand all safety warnings, precautions and operating procedures before operating this vehicle.

#### Age Restrictions

This vehicle is an ADULT VEHICLE ONLY. Operation is prohibited for anyone under the age of 16. No passengers under age 12 are allowed on CFMOTO vehicles designed to carry passengers.

#### Know Your Vehicle

As the operator of the vehicle, you are responsible for your personal safety, the safety of others, and the protection of the environment. Read and understand your owner's manual, which includes valuable information about all aspects of your vehicle, including safe operating procedures.

## OPERATOR SAFETY

### Equipment Modifications

CFMOTO is concerned with the safety of our customers and for the general public. Therefore, we strongly recommend that consumers do not install on a vehicle, any equipment that may increase the speed or power of the vehicle, or make any other modifications to the vehicle for these purposes. Any modifications to the original equipment of the vehicle create a substantial safety hazard and increase the risk of body injury. The warranty on your vehicle is terminated if any unapproved accessory equipment has been added to the vehicle, or if any modifications have been made to the vehicle that increase its speed or power.

### NOTE:

The addition of certain accessory equipment which may change the handling and performance characteristics of the vehicle include, but are not limited to; mowers, plow blades, oversize tires, sprayers, large racks, lift kits and trailers. Use only approved accessories, and familiarize yourself with their function and effect on the vehicle.

### Avoid Carbon Monoxide Poisoning

All engine exhaust contains carbon monoxide, a deadly gas. Breathing carbon monoxide can cause headaches, dizziness, drowsiness, nausea, confusion and eventually death.

Carbon monoxide is a colorless, odorless, tasteless gas that may be present even if you do not see or smell any engine exhaust. Deadly levels of carbon monoxide can collect rapidly, and you can quickly be overcome and unable to save yourself. Also, deadly levels of carbon monoxide can linger for hours or days in enclosed or poorly ventilated areas.

To prevent serious injury or death from carbon monoxide:

- Never run the vehicle in poorly ventilated or partially enclosed areas.
- Never run the vehicle outdoor where engine exhaust can be drawn into a building through openings such as windows and doors.

## **OPERATOR SAFETY**

### **Avoid Gasoline Fires and Other Hazards**

Gasoline is extremely flammable and highly explosive. Fuel vapors can spread and be ignited by a spark or flame many feet away from the engine. To reduce the risk of fire or explosion, follow these instructions:

- Use only an approved gasoline container to store fuel.
- Never fill the gasoline container in the vehicle cargo box or on the vehicle. An electrical static discharge may ignite the fuel.
- Strictly adhere to proper fueling procedures.
- Never start or operate the engine if the fuel cap is not properly installed. Gasoline is poisonous and can cause injury or death.
- Never siphon gasoline by mouth.
- If you swallow gasoline, get any in your eye(s), or inhale gasoline vapor, see a doctor immediately.
- If gasoline spills on you, wash with soap and water and change your clothes.

### **Fuel Minimum Octane Rating and Safety Warnings**

The recommended fuel for your vehicle is 89 Octane minimum, premium or mid-grade fuel (a maximum blend of 10% ethanol is allowed). Non-oxygenated (ethanol-free) fuel is recommended for best performance in all conditions.

## OPERATOR SAFETY

### WARNING

Gasoline is highly flammable and explosive under certain conditions.

Allow the engine and exhaust system to cool before filling the tank.

Always exercise extreme caution whenever handling gasoline.

Always refuel with the engine stopped, and outdoors or in a well ventilated area.

Never carry a plastic container with gasoline in the cargo area while riding. Static electricity between the cargo area and container could cause a spark.

Do not smoke or allow open flames or sparks in or near the area where refueling is performed, or where gasoline is stored.

Do not overfill the tank. Do not fill to the tank neck.

If gasoline spills on your skin or clothing, immediately wash it off with soap and water and change clothing. Never start the engine or let it run in an enclosed area. Engine exhaust fumes are poisonous and can cause loss of consciousness or death in a short time.

The engine exhaust from this product contains chemicals known to cause cancer, birth defects or other reproductive harm. Operate this vehicle only outdoors or in well-ventilated areas.

### **Avoid Burns from Hot Parts**

The exhaust system and engine become hot during operation. Avoid contact during and shortly after operation to avoid burns.

# OPERATOR SAFETY

## Owner Responsibilities

### Be Qualified and Responsible

Read this Owner's Manual and the warning decals on this vehicle carefully. Take a safety training course on open areas if available. Practice at low speeds. Higher speeds require greater experience, knowledge and suitable riding conditions. Become completely familiar with the operational controls and the general operation of the vehicle.

This vehicle is an ADULT VEHICLE ONLY. Operation is prohibited for anyone under 16 years of age. Operators must be tall enough to be properly seated back against the backrest with the seat belt fastened, to hold the steering wheel with both hands and still be able to reach the full stroke of brake and throttle pedals with the right foot, and able to firmly plant their left foot on the footrest.

Operators may be required to have a proper driver's license in accordance with local laws.

### Carrying a Passenger

- Do not carry more passengers than allowed. Passengers must ride in a passenger seat.
- Passengers must be at least 12 years old and tall enough to always be properly seated against the backrest with the seat belt fastened, holding handhold, with both feet firmly planted on the vehicle floor.
- Never carry a passenger who has used drugs or alcohol, or is tired or ill. These slow reaction time and impair judgment.
- Instruct the passenger to read the vehicle's safety labels.
- Never carry a passenger if you judge their ability or judgment is insufficient to concentrate on the terrain conditions and adapt accordingly. More specifically for side-by-side vehicles, the passenger must also pay constant attention to the terrain ahead and be able to brace for bumps.

## OPERATOR SAFETY

### Riding Carefully

- This vehicle is not a toy and can be hazardous to operate. This vehicle handles differently from other vehicles such as motorcycles or cars. A collision or rollover can occur quickly, during abrupt maneuvers such as sharp turns, acceleration or deceleration, and driving on hills or over obstacles if you fail to take proper precautions.
- Never operate at excessive speeds. Always operate at a speed that is proper for the terrain, visibility, and operating conditions, and your experience.
- Never attempt jumps, side slides, donuts, or any other stunts.
- Never attempt rapid acceleration or deceleration when performing a sharp turn. This may result in a rollover.
- Never attempt skidding or sliding. If vehicle starts to skid or slide, counter steer in the direction of skidding or sliding. On extremely slippery surfaces, such as ice, go slowly and be very cautious in order to reduce the chance of skidding out of control.
- Always be sure there are no obstacles or people behind the vehicle when reversing. Pay attention to blind spots. When it is safe to proceed in reverse, go slowly.
- Never exceed the stated load limits for this vehicle. Cargo must be properly secured. Reduce speed, allow for greater braking distance and follow other instructions in this manual.
- Ensure that cargo is well distributed in the cargo box. Otherwise, it could change the center of gravity and may result in rollover.



## **OPERATOR SAFETY**

### **Roll Over Protection System (ROPS)**

- The ROPS on this vehicle meets the performance requirements of ISO 3471:2008. The ROPS can limit intrusions of outside objects and reduce your risk of injury in rollovers.
- Always follow all safe operating practices outlined in this manual to avoid vehicle rollover.
- Do not put your hands and/or feet outside of the vehicle when driving. The ROPS will not protect you from injury in all rollovers.
- Always have your authorized CFMOTO dealer thoroughly inspect the ROPS if it ever becomes damaged in any way.

### **Occupant Restraint System**

- This vehicle is designed to carry one driver and passengers wearing proper protective gear.
- The driver and passenger must latch the side doors or side nets and wear the seat belts at all times when riding.

### **Terrain Conditions**

- Avoid sharp turns, abrupt acceleration and sudden braking when passing public roads.
- Always go slowly and be extra careful when operating on unfamiliar terrain. Always be alert to changing terrain conditions when operating this vehicle. Take the time to learn how the vehicle performs in different environments.
- Never operate on excessively rough, slippery or loose terrain until you have learned and practiced the skills necessary to control this vehicle on such terrain. Always be especially cautious on these kinds of terrain.
- Never operate this vehicle on hills too steep for the vehicle or your abilities. Practice on small inclines.

## **OPERATOR SAFETY**

- Always follow proper procedures for climbing or going down hills. Never go over the top of any hill at high speed.
- Never attempt steep hills or side hilling when pulling a trailer.
- Always check for obstacles before operating in a new area. Always follow proper procedures when operating over obstacles or fallen trees.
- Never operate this vehicle in deep water or fast flowing water. Remember that wet brakes may have reduced stopping ability. Test your brakes after leaving water. If necessary, apply them several times while driving slowly to let friction dry out the brakes.
- Always ensure to properly park the vehicle on the flattest terrain section available. Put the shift lever in PARK, stop the engine, and remove the key before leaving the vehicle.
- Never assume that the vehicle will go everywhere safely. Sudden changes in terrain caused by holes, depressions, banks, softer or harder ground, or other irregularities may cause the vehicle to topple or become unstable. To avoid this, slow down and always observe the terrain ahead. If the vehicle begins to topple or rollover, the best advice is to immediately steer in the direction of the rollover.
- Never attempt to prevent a rollover with your arms or legs. Always keep limbs inside the ROPS cage.

## OPERATOR SAFETY

### Safe Riding Gear

Always wear clothing suited to the type of riding. ATV riding requires special protective clothing for comfort and to reduce the chance of injury:

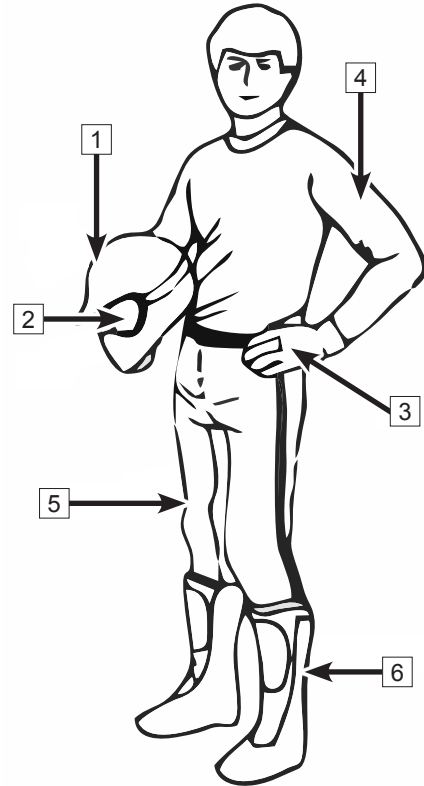
- 1 An approved helmet
- 2 Eye protection.
- 3 Gloves
- 4 Long-sleeved shirts or jackets
- 5 Long pants
- 6 Over-the-ankle boots

According to the actual weather, you may need extra apparel, such as anti-fog eye protection, thermal underwear and a face guard for cold weather. The operator must never wear loose clothing that may get entangled in the vehicle or on tree branches and shrubs.

### Helmet and Eye Protection

An approved helmet can prevent a serious head injury if an accident occurs. Please note that even the best helmet is no guarantee against injury.

The helmet you choose should meet the standard for your country or area. A closed-face helmet with face shield will be better at preventing impacts from insects, flying rocks, dust and scattered debris, etc.



## **OPERATOR SAFETY**

An open-face helmet cannot offer the same protection for your face and jaw. Please wear detachable face masks and goggles when wearing an open-face helmet.

Do not depend on eyeglasses or sunglasses for eye protection. They are not sufficient for impact protection. Debris may fly up or break the lens, causing eye injury.

Use tinted masks or goggles in the daytime only, do not use them at night or in poor illumination. They may impair your ability to distinguish colors. Do not use them if your color discrimination is affected.

### **Gloves**

Full-finger gloves could protect your hands from wind, sun, heat, cold, and splash. Well-fitted gloves are helpful for steering and relieve hand fatigue. If the gloves are too heavy, it will be difficult to operate the vehicle.

A pair of strong off-roading gloves offer protection for your hands in the event of an accident or turnover. Snowmobile gloves offer better protection when operating in cold areas.

### **Jackets, Pants and Riding Suits**

Wear a jacket or a long sleeved shirt and long pants, or a full riding suit. Quality protective gear will provide comfort, and it can help you avoid being distracted by adverse environmental elements. In case of an accident, good quality protective gear made of sturdy material may prevent or reduce injury.

In cool-weather riding, protect yourself against hypothermia. Hypothermia, a condition of low body temperature, can cause loss of concentration, slowed reactions and loss of smooth, precise muscle movement. In cool conditions, proper protective gear like a windproof jacket and insulated layers of clothing are essential. Even while riding at moderate temperatures, you can feel very cold due to the wind. Protective gear that is appropriate for cold-weather riding may be too hot when stopped. Dress in layers so that clothing can be removed as desired. Topping the protective gear with a windproof outer layer can prevent cold air from reaching the skin.

## **OPERATOR SAFETY**

### **Boots**

Always wear closed-toe, over-the-ankle boots. Sturdy over-the-ankle boots with non-slip soles offer more protection, and allow you to plant your foot properly on the foot pegs. Avoid long shoelaces that could get tangled in the vehicle components. For winter riding conditions, rubber-soled boots with either nylon or leather uppers and removable felt liners are best suited. Avoid rubber rain boots. Rubber rain boots may get trapped behind the foot brake pedal, impairing proper operation.

### **Other Riding Gear**

#### **Rain Gear**

When riding in rainy weather, a rain suit or a waterproof riding suit is recommended. On long rides, it is a good idea to carry rain gear. Keeping clothes dry results in being much more comfortable and alert.

#### **Hearing Protection**

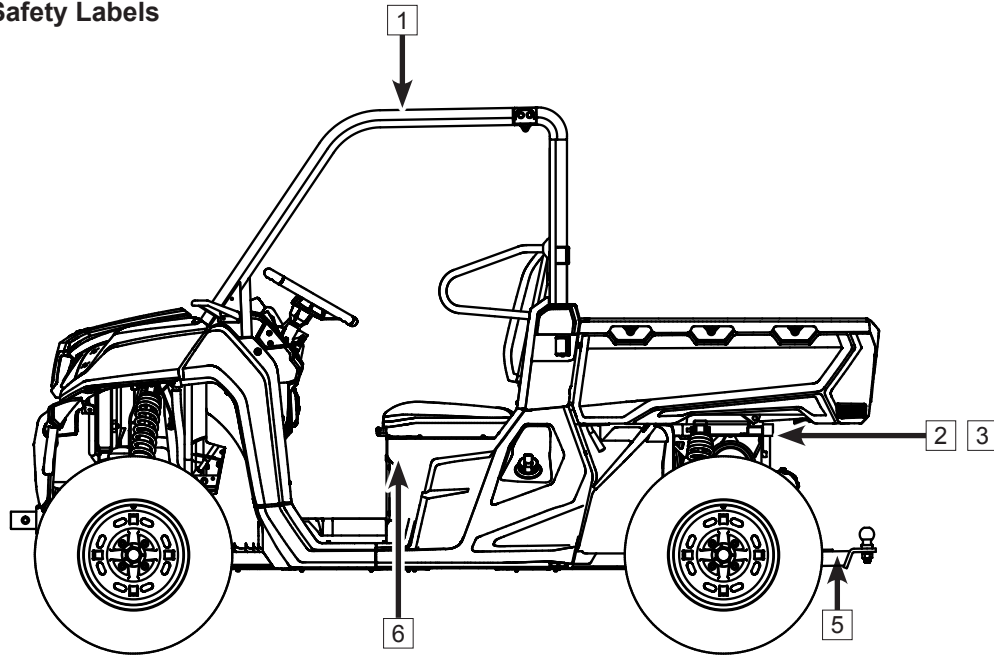
Long-term exposure to wind and engine noise when riding can cause permanent hearing loss. Properly worn hearing protective devices such as earplugs can help prevent hearing loss. Check local laws before using any hearing protective devices.

## OPERATOR SAFETY

### Safety Labels, Locations and Warnings

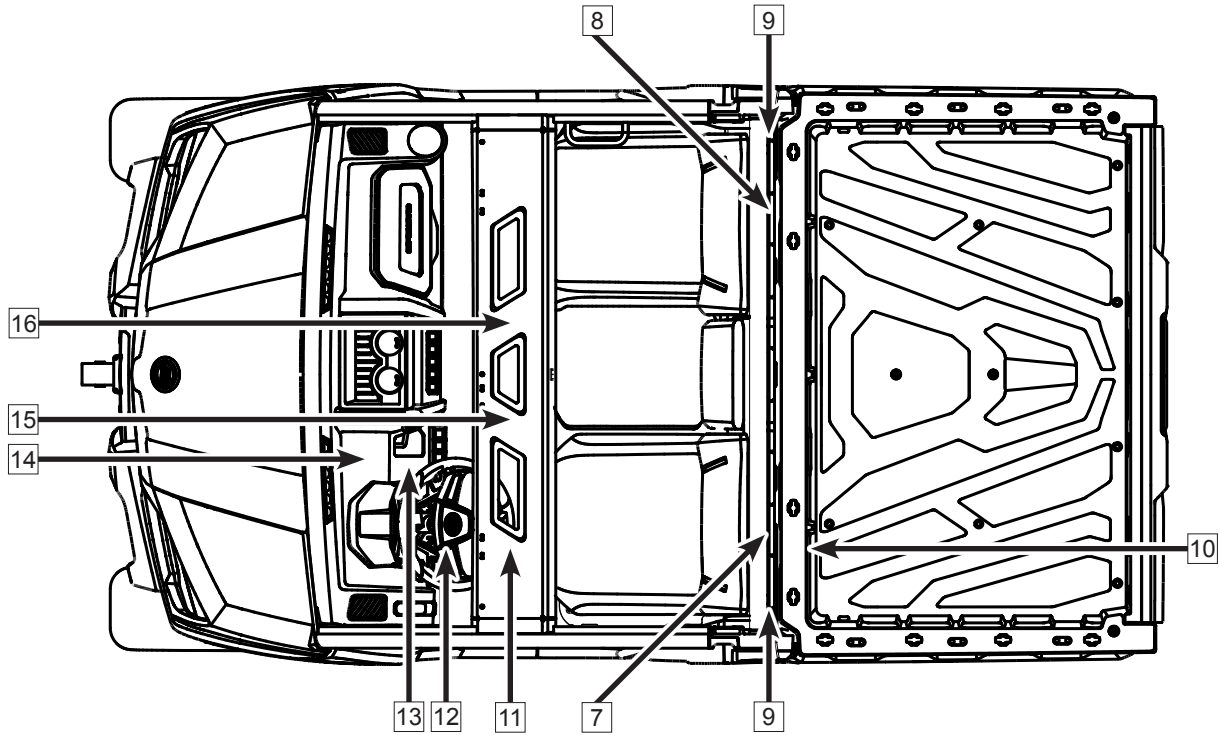
Warning labels have been placed on the vehicle for your protection. Read and follow the instructions on each decal carefully. If a decal becomes illegible or comes off, contact your dealer to purchase a replacement. Read and follow the safety warnings in this manual. Warning labels in the owner's manual are for reference.

#### UFORCE 1000 Safety Labels



# OPERATOR SAFETY

Safety Labels



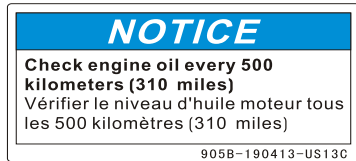
# OPERATOR SAFETY

## Safety Labels

1



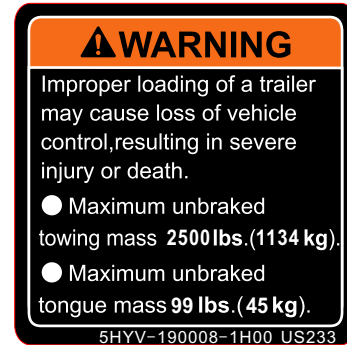
2



3



5



6





# OPERATOR SAFETY

## Safety Labels

9

**WARNING**



Keep hands, body, and other people away from pinch points when lowering bed. Do not hold the cage/frame while closing bed.

SHY0-190006 US17A

7

**WARNING**



This position is the CVT inlet filter screen. When using the vehicle, the filter screen should be checked, disassembled and clean it if necessary, otherwise the service life of CVT belt will be affected.

SHY0-190019 US182

8

**WARNING**



This position is the air filter inlet screen. When using the vehicle, the filter screen should be checked, disassembled and clean it if necessary, otherwise engine performance will be affected.

SHY0-190018 US182

12

**WINCH CONTROL HANDLE OUTLET**



SHY0-190021 US182

11

**WARNING**

**Improper Use of Off-Highway Vehicles Can Cause Severe Injury or Death**

**Be Prepared**

- Fasten seat belts and make sure nets or doors are securely latched in place.
- Wear an approved helmet and protective gear.
- Each rider must be able to sit with back against seat, foot flat on the floor or on footrest, and hands on steering wheel or handholds. Stay completely inside the vehicle.

**Drive Responsibly**

Avoid loss of control and rollovers:



- Avoid abrupt maneuvers, sideways sliding, skidding or fishtailing, and never do donuts.
- Avoid hard acceleration when turning, even from a stop.
- Slow down before entering a turn.
- Plan for hills, rough terrain, ruts, and other changes in traction and terrain.
- Avoid paved surfaces.
- Avoid side hilling (riding across slopes).

**Be Sure Riders Pay Attention and Plan Ahead**

If you think or feel the vehicle may tip or roll, reduce your risk of injury:

- Keep a firm grip on the steering wheel or handholds and brace yourself.
- Do not put any part of your body outside of the vehicle for any reason.
- NEVER attach to the cage to pull a load. This can cause the vehicle to tip over.

**Rollovers have caused severe injuries and death, even on flat, open areas.**

Read the Operator's Guide and Safety Labels and Watch the Safety Video. Follow All Instructions and Warnings.

SHY0-190002 US182

10

**WARNING**

Severe **INJURY** or **DEATH** can result if you ignore the following:

- Maximum Load in Cargo Bed: 771 lbs. (350 kg).
- Never carry passengers in cargo bed.
- Cargo can affect handling and stability. Read Owner's Manual before loading or towing.
- When loading with cargo or towing a trailer, Reduce speed and allow more room to stop. Avoid hills and rough terrain.
- Be sure cargo is secured - a loose load could change handling unexpectedly.
- Keep weight in the cargo bed centered, and as low and far forward as possible. Top - heavy loads increase the risk of overturn.



SHY0-190005 US184


14

**WARNING**

- To avoid transmission damage, shift only when vehicle is stationary and at idle.

**APPLY BRAKE TO START**

- When this vehicle is not in operation or unattended, place shift in the park position.
- Stop the vehicle and apply the Brake before using the Shift Lever, the 2WD/4WD Switch and the Diff Lock Switch.
- Must use Low Gear if total payload is greater than 584 lbs. (265kg).
- Total payload includes weight of operator, passenger, cargo, accessories and trailer.



SHY0-190017 US184

13

**WARNING**

**Require Proper Use of Your Vehicle**

Do your part to prevent injuries:

- Do not allow careless or reckless driving.
- Make sure operators are 16 or older with a valid driver's license.
- Do not let people drive or ride after using alcohol or drugs.
- Do not allow operation on public roads - collisions with cars and trucks can occur.
- Do not exceed seating capacity: 3 occupants.
- Never operate with a passenger under the age of 12. All riders must be able to sit with backs against the seat. Both feet flat on the floor and both hands on the steering wheel (if driving) or on a passenger hand hold.



SHY0-190002 US184

# OPERATOR SAFETY

## Safety Labels

15

**▲WARNING**

Any part of your body (arms, legs, or head) outside of the vehicle can be crushed by the cage/frame.



If you think or feel that the vehicle may tip or roll, brace your feet on the floor boards, and keep your hands on the steering wheel.

Do not try to stop a vehicle tip-over by using your arms or legs.

The enclosure cannot protect occupants in all foreseeable accidents, including rollover.

Do not rest hands on door or hip restraint bar. To avoid injury, keep hands completely inside the vehicle by holding the steering wheel or handholds.

SHY0-190003 US184

16

**▲WARNING**

Any part of your body (arms, legs, or head) outside of the vehicle can be crushed by the cage/frame.



If you think or feel that the vehicle may tip or roll, brace your feet on the floor boards, and keep your hands on the handholds.

Do not try to stop a vehicle tip-over by using your arms or legs.

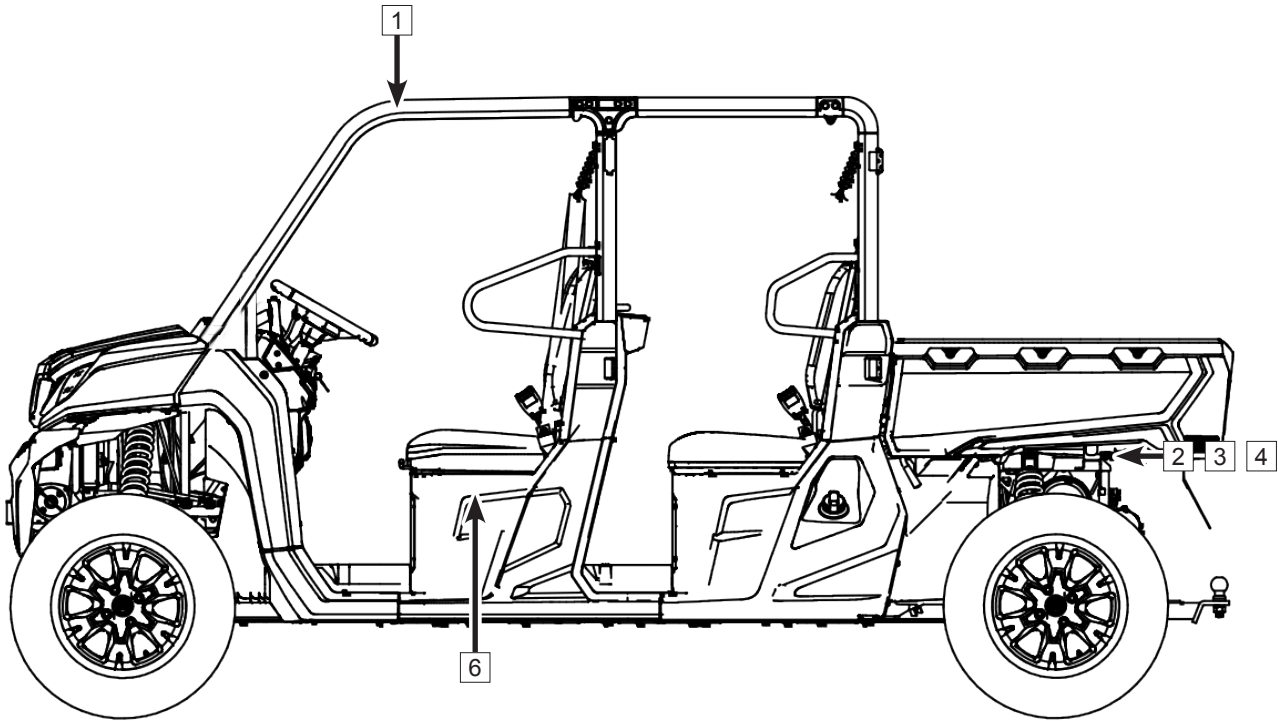
The enclosure cannot protect occupants in all foreseeable accidents, including rollover.

Do not rest hands on door or hip restraint bar. To avoid injury, keep hands completely inside the vehicle by holding the steering wheel or handholds.

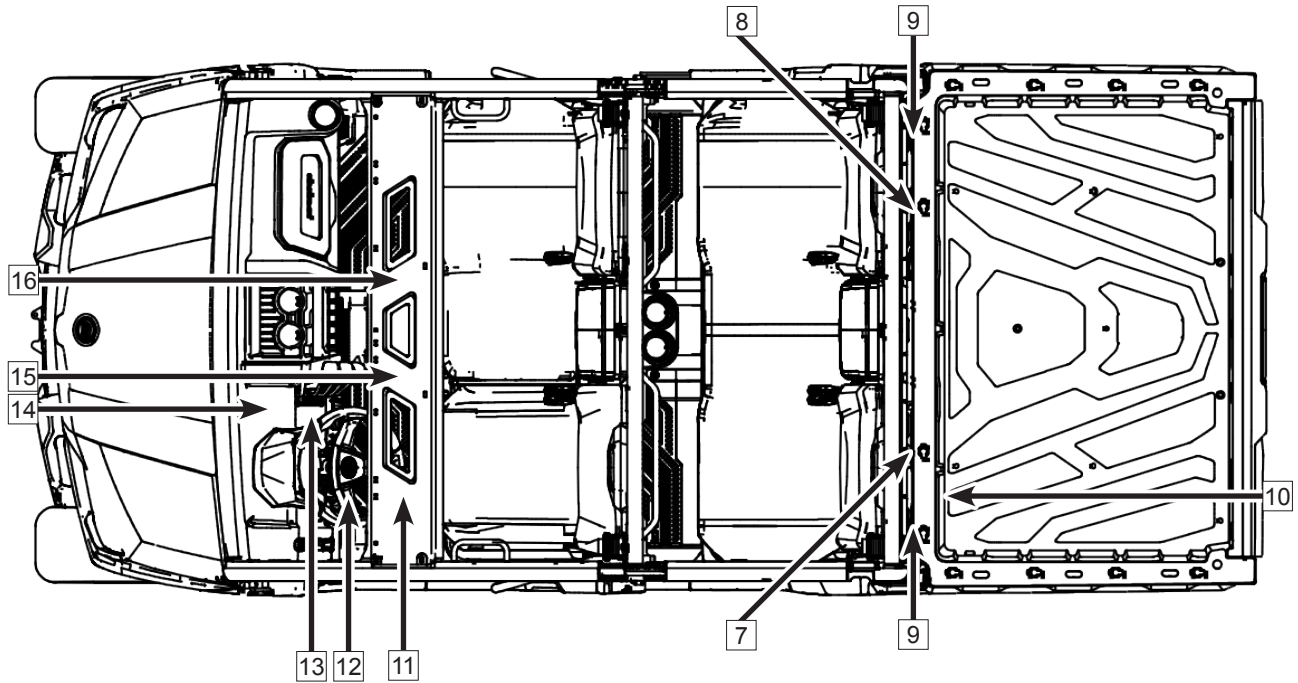
SHY0-190004 US184

# OPERATOR SAFETY

## UFORCE 1000 XL Safety Labels



# OPERATOR SAFETY



# OPERATOR SAFETY


## Safety Labels

1



The ROPS meets the performance requirements of ISO 3471: 2008.  
Vehicle model: CF1000UZ-2  
CF1000UU-2  
m = 1300 kg for ISO 3471: 2008  
5SYV-190101-6001 US218

2



**NOTICE**  
Check engine oil every 500 kilometers (310 miles)  
Vérifier le niveau d'huile moteur tous les 500 kilomètres (310 miles)  
905B-190413-US13C

3



CFMOTO Powersports, Inc. certifies that this Recreational Off-Highway Vehicle complies with the current voluntary and applicable American National Standards for ANSI/ROHVA safety standards of the U.S. Consumer Product Safety Commission.  
6HY0-190009-1 US189

4



**WARNING**  
REMOVAL OF THIS MUFFLER IS A VIOLATION OF CLEAN AIR ACT § 203 AND CONSIDERED TAMPERING. VIOLATORS ARE SUBJECT TO A FEDERAL FINE OF UP TO \$37,500 PER OCCURRENCE.  
9CR6-190204 US1311

5



**WARNING**  
Improper loading of a trailer may cause loss of vehicle control, resulting in severe injury or death.  
● Maximum unbraked towing mass 2500 lbs. (1134 kg).  
● Maximum unbraked tongue mass 99 lbs. (45 kg).  
5HYV-190008-1H00 US233

6



**WARNING**  
Improper tire pressure or overloading can cause loss of control. Loss of control can result in severe injury or death.  
● Cold tire pressure:

	3 OCCUPANTS	6 OCCUPANTS
Front	14 psi (100kPa)	17 psi (120kPa)
Rear	17 psi (120kPa)	22 psi (150kPa)


5SYV-190104-6000 US218

# OPERATOR SAFETY

## Safety Labels

9

**WARNING**



Keep hands, body, and other people away from pinch points when lowering bed. Do not hold the cage/frame while closing bed.

SHY0-190006 US17A

7

**WARNING**



This position is the CVT inlet filter screen. When using the vehicle, the filter screen should be checked, disassembled and clean it if necessary, otherwise the service life of CVT belt will be affected.

SHY0-190019 US182

8

**WARNING**



This position is the air filter inlet screen. When using the vehicle, the filter screen should be checked, disassembled and clean it if necessary, otherwise engine performance will be affected.

SHY0-190018 US182

12

**WINCH CONTROL HANDLE OUTLET**



SHY0-190021 US182

10

**WARNING**

Severe **INJURY** or **DEATH** can result if you ignore the following:

- Maximum Load in Cargo Bed: 771 lbs. (350 kg).
- Never carry passengers in cargo bed.
- Cargo can affect handling and stability. Read Owner's Manual before loading or towing.
- When loading with cargo or towing a trailer: Reduce speed and allow more room to stop. Avoid hills and rough terrain.
- Be sure cargo is secured - a loose load could change handling unexpectedly.
- Keep weight in the cargo bed centered, and as low and far forward as possible. Top - heavy loads increase the risk of overturn.



SHY0-190005 US184

14

**WARNING**

**R N H L**

- To avoid transmission damage, shift only when vehicle is stationary and at idle.

**APPLY BRAKE TO START**

- When this vehicle is not in operation or unattended, place shift in the park position.
- Stop the vehicle and apply the Brake before using the Shift Lever, the 2WD/4WD Switch and the Diff Lock Switch.
- Must use Low Gear if total payload is greater than 860 lbs. (390 kg).
- Total payload includes weight of operator, passenger, cargo, accessories and trailer.

SSYV-190011-6000 US218

13

11

**WARNING**

**Improper Use of Off-Highway Vehicles Can Cause Severe Injury or Death**

**Be Prepared**

- Fasten seat belts and make sure nets or doors are securely latched in place.
- Wear an approved helmet and protective gear.
- Each rider must be able to sit with back against seat, foot flat on the floor or on footrest, and hands on steering wheel or handholds.



**Drive Responsibly**

- Avoid loss of control and rollovers:
- Avoid abrupt maneuvers, sideways sliding, skidding or fishtailing, and never do donuts.
- Avoid hard acceleration when turning, even from a stop.
- Slow down before entering a turn.
- Plan for hills, rough terrain, ruts, and other changes in traction and terrain.
- Avoid paved surfaces.
- Avoid side hilling (riding across slopes).

**Be Sure Riders Pay Attention and Plan Ahead**

- If you think or feel the vehicle may tip or roll, reduce your risk of injury:
- Keep a firm grip on the steering wheel or handholds and brace yourself.
- Do not put any part of your body outside of the vehicle for any reason.
- NEVER attach to the cage to pull a load. This can cause the vehicle to tip over.

**Rollovers have caused severe injuries and death, even on flat, open areas.**

Read the Operator's Guide and Safety Labels and Watch the Safety Video. Follow All Instructions and Warnings.

SHY0-190011-6000 US218

**WARNING**

**Require Proper Use of Your Vehicle**

Do your part to prevent injuries:

- Do not allow careless or reckless driving.
- Make sure operators are 16 or older with a valid driver's license.
- Do not let people drive or ride after using alcohol or drugs.
- Do not allow operation on public roads - collisions with cars and trucks can occur.
- Do not exceed seating capacity: 6 occupants.
- Never operate with a passenger under the age of 12. All riders must be able to sit with backs against the seat. Both feet flat on the floor and both hands on the steering wheel (if driving) or on a passenger hand hold.

**DRIVER UNDER 16**



SSYV-190102-6000 US218

# OPERATOR SAFETY

## Safety Labels

15

**▲WARNING**

Any part of your body (arms, legs, or head) outside of the vehicle can be crushed by the cage/frame.



If you think or feel that the vehicle may tip or roll, brace your feet on the floor boards, and keep your hands on the steering wheel.

Do not try to stop a vehicle tip-over by using your arms or legs.

The enclosure cannot protect occupants in all foreseeable accidents, including rollover.

Do not rest hands on door or hip restraint bar. To avoid injury, keep hands completely inside the vehicle by holding the steering wheel or handholds.

SHY0-190003 US184

16

**▲WARNING**

Any part of your body (arms, legs, or head) outside of the vehicle can be crushed by the cage/frame.



If you think or feel that the vehicle may tip or roll, brace your feet on the floor boards, and keep your hands on the handholds.

Do not try to stop a vehicle tip-over by using your arms or legs.

The enclosure cannot protect occupants in all foreseeable accidents, including rollover.

Do not rest hands on door or hip restraint bar. To avoid injury, keep hands completely inside the vehicle by holding the steering wheel or handholds.

SHY0-190004 US184

## OPERATOR SAFETY

### Potential Hazard Warnings

#### **WARNING**

##### **POTENTIAL HAZARD:**

Operating this vehicle without proper instruction.

##### **WHAT CAN HAPPEN:**

The risk of an accident is greatly increased if the operator does not know how to operate the vehicle properly in different situations and on different types of terrain.

##### **HOW TO AVOID THE HAZARD:**

Beginning and inexperienced operators should complete a safety training course if offered by dealer. Operators should regularly practice the skills learned in the course and the operating techniques described in the owner's manual.

#### **WARNING**

##### **POTENTIAL HAZARD:**

Failure to follow the age recommendations for this vehicle.

##### **WHAT CAN HAPPEN:**

Severe injury and/or death could occur if a child under the minimum age recommendation operates this vehicle. Even though a child may be within the recommended age group for operating, he/she may not have the skills, abilities, or judgment needed to operate safely and could be susceptible to accident or injury.

##### **HOW TO AVOID THE HAZARD:**

Operation is prohibited for anyone under 16 years of age.



## OPERATOR SAFETY

### WARNING

#### **POTENTIAL HAZARD:**

Carrying more passengers than the seat capacity.

#### **WHAT CAN HAPPEN:**

A passenger not seated in the vehicle could be ejected from the vehicle unexpectedly or make contact with moving components, both of which can result in severe injury or death.

#### **HOW TO AVOID THE HAZARD:**

Never allow carrying more passengers than the seat capacity.

### WARNING

#### **POTENTIAL HAZARD:**

Operation on paved surfaces such as sidewalks, trails, parking lots, or public highways and streets.

#### **WHAT CAN HAPPEN:**

All-terrain tires are designed for off-road use. Driving on paved surfaces greatly affects how a vehicle handles, which can result in loss of control and/or an accident.

#### **HOW TO AVOID THE HAZARD:**

Never drive on paved surfaces. If it is unavoidable, slow down and do not make sudden turning or braking maneuvers.

Never operate on public highways or streets if it is not allowed by law. Check local laws to determine if it is legal to do so.

## OPERATOR SAFETY

### **WARNING**

#### **POTENTIAL HAZARD:**

Operating this vehicle without wearing approved helmet, eye protection, and protective clothing.

#### **WHAT CAN HAPPEN:**

Operating without an approved helmet increases the risk of a severe head injury or death in the event of an accident. Operating without eye protection could result in an accident and could increase the chance of a severe eye injury in the event of an accident. Operating without protective clothing could increase the chance of a severe injury.

#### **HOW TO AVOID THE HAZARD:**

Always wear an approved helmet that fits properly. Always wear eye protection (goggles or face shield), gloves, long-sleeved shirt or jacket, long pants, and over-the-calf boots.

### **WARNING**

#### **POTENTIAL HAZARD:**

Operating the vehicle after consuming alcohol or drugs.

#### **WHAT CAN HAPPEN:**

Consumption of alcohol and/or drugs could seriously affect operator judgment. Reaction time may be slower and operator balance and perception could be affected. Consumption of alcohol and/or drugs before or while operating a vehicle could result in an accident causing severe injury or death.

#### **HOW TO AVOID THE HAZARD:**

Never consume alcohol or drugs before or while operating the vehicle.

## OPERATOR SAFETY

### **WARNING**

#### **POTENTIAL HAZARD:**

Operating at excessive speeds.

#### **WHAT CAN HAPPEN:**

Excessive speed increases the operator's chance of losing control, which can result in an accident.

#### **HOW TO AVOID THE HAZARD:**

Always operate at a speed that's proper for the terrain, visibility and operating conditions, and your experience.

### **WARNING**

#### **POTENTIAL HAZARD:**

Attempting slides, jumps, and other stunts.

#### **WHAT CAN HAPPEN:**

Attempting stunts increases the chance of an accident, including an overturn.

#### **HOW TO AVOID THE HAZARD:**

Never attempt slides, jumps, or other stunts.

## OPERATOR SAFETY

### WARNING

#### **POTENTIAL HAZARD:**

Failure to inspect the vehicle before operating. Failure to properly maintain the vehicle.

#### **WHAT CAN HAPPEN:**

Poor maintenance increases the possibility of an accident or equipment damage.

#### **HOW TO AVOID THE HAZARD:**

Always inspect your vehicle before each use to make sure it's in safe operating condition.

Always follow the inspection and maintenance procedures and schedules described in the owner's manual.

### WARNING

#### **POTENTIAL HAZARD:**

Extending arms, hands, or legs outside the ROPS bars of the vehicle during operation.

#### **WHAT CAN HAPPEN:**

Severe injury can occur to arms, hands, or legs if the vehicle overturns or rolls over in an accident.

#### **HOW TO AVOID THE HAZARD:**

Always keep arms, hands, or legs inside the vehicle, hands on the steering wheel or hand grip, and keep both feet on the footrests of the vehicle during operation.

## OPERATOR SAFETY

### **WARNING**

#### **POTENTIAL HAZARD:**

Failure to use extra caution when operating on unfamiliar terrain.

#### **WHAT CAN HAPPEN:**

Unfamiliar terrain may contain hidden rocks, bumps, or holes that could cause loss of control or overturn.

#### **HOW TO AVOID THE HAZARD:**

Travel slowly and use extra caution when operating on unfamiliar terrain. Always be alert to changing terrain conditions.

### **WARNING**

#### **POTENTIAL HAZARD:**

Turning improperly.

#### **WHAT CAN HAPPEN:**

Improper turns could cause loss of control and lead to a collision or overturn.

#### **HOW TO AVOID THE HAZARD:**

Always follow proper procedures for turning as described in the owner's manual. Practice turning at slow speeds before attempting to turn at faster speeds. Never turn at excessive speed.

## OPERATOR SAFETY

### WARNING

#### **POTENTIAL HAZARD:**

Failure to use extra caution when operating on excessively rough, slippery or loose terrain.

#### **WHAT CAN HAPPEN:**

Operating on excessively rough, slippery or loose terrain could cause loss of traction or loss of control, which could result in an accident or overturn.

#### **HOW TO AVOID THE HAZARD:**

Do not operate on excessively rough, slippery or loose terrain until you've practiced and learned the skills necessary to control the vehicle on such terrain. Always use extra caution on rough, slippery or loose terrain.

### WARNING

#### **POTENTIAL HAZARD:**

Climbing excessively steep hills or climbing hills improperly.

#### **WHAT CAN HAPPEN:**

Improper hill climbing could cause loss of control or overturn.

#### **HOW TO AVOID THE HAZARD:**

Never operate on hills too steep for the vehicle or for your abilities. Practice on smaller hills before attempting large hills. Always check the terrain carefully before ascending any hill. Never climb hills with excessively slippery or loose surfaces. Never open the throttle suddenly while traveling uphill. The vehicle could flip over backwards. Never go over the top of any hill at high speed. An obstacle, a sharp drop, another vehicle, or person could be on the other side of the hill.

## OPERATOR SAFETY

### **WARNING**

#### **POTENTIAL HAZARD:**

Traveling down excessively steep hills.

#### **WHAT CAN HAPPEN:**

Improper downhill travel could cause loss of control or overturn.

#### **HOW TO AVOID THE HAZARD:**

Never operate on hills too steep for the vehicle or for your abilities. Practice on smaller hills before attempting large hills. Always check the terrain carefully before attempting any hill. Never descend hills with excessively slippery or loose surfaces.

#### **NOTE:**

Always check the terrain carefully before descending a hill. Never travel down a hill at high speed. Avoid traveling down a hill at an angle. Travel straight down the hill when possible.

## OPERATOR SAFETY

### **WARNING**

#### **POTENTIAL HAZARD:**

Improperly crossing hills and turning on hills.

#### **WHAT CAN HAPPEN:**

Improperly crossing or turning on hills could cause loss of control or overturn.

#### **HOW TO AVOID THE HAZARD:**

Use extra caution when turning on any hill. Avoid crossing the side of a steep hill.

#### **WHEN CROSSING THE SIDE OF A HILL:**

Always follow proper procedures as described in the owner's manual. Avoid hills with excessively slippery or loose surfaces.



## OPERATOR SAFETY

### **WARNING**

#### **POTENTIAL HAZARD:**

Stalling, rolling backwards while climbing a hill.

#### **WHAT CAN HAPPEN:**

The vehicle could overturn.

#### **HOW TO AVOID THE HAZARD:**

Maintain a steady speed when climbing a hill.

#### **IF ALL FORWARD SPEED IS LOST:**

Close the throttle. Apply the brake. When fully stopped, shift the gear selector to the park position.

#### **IF THE VEHICLE BEGINS ROLLING:**

Never apply engine power. Carefully apply the foot brake while rolling backwards. When fully stopped, keep the brake applied, shift the gear selector to the parking position, and determine the best way to safely change direction.

## OPERATOR SAFETY

### **WARNING**

#### **POTENTIAL HAZARD:**

Improperly operating over obstacles.

#### **WHAT CAN HAPPEN:**

Operating over obstacles could cause loss of control or overturn.

#### **HOW TO AVOID THE HAZARD:**

Before operating in a new area, check for obstacles. Avoid operating over large obstacles such as rocks and fallen trees when possible. If unavoidable, use extreme caution and always follow proper procedures as outlined in the owner's manual.

### **WARNING**

#### **POTENTIAL HAZARD:**

Skidding or sliding.

#### **WHAT CAN HAPPEN:**

Skidding or sliding can cause loss of control. If the tires regain traction unexpectedly, the vehicle could overturn.

#### **HOW TO AVOID THE HAZARD:**

On slippery surfaces such as ice, travel slowly and use extra caution to reduce the chance of skidding or sliding out of control.

## OPERATOR SAFETY

### **WARNING**

#### **POTENTIAL HAZARD:**

Overloading the vehicle or carrying/towing cargo improperly.

#### **WHAT CAN HAPPEN:**

Overloading and towing can cause changes in vehicle handling, which could lead to loss of control or an accident.

#### **HOW TO AVOID THE HAZARD:**

Never exceed the stated load capacity for this vehicle.

Cargo should be properly distributed and securely attached. Reduce speed and always use low gear when carrying cargo or pulling a trailer. Allow a greater distance for braking. Always follow the instructions in the owner's manual for carrying cargo or pulling a trailer.

### **WARNING**

#### **POTENTIAL HAZARD:**

Improperly operating in reverse.

#### **WHAT CAN HAPPEN:**

The vehicle could collide with an obstacle or person, resulting in severe injury.

#### **HOW TO AVOID THE HAZARD:**

Before shifting into reverse gear, always check for obstacles or people behind the vehicle. When it's safe to proceed, back slowly.

## OPERATOR SAFETY

### **WARNING**

#### **POTENTIAL HAZARD:**

Operation the vehicle through deep or fast-flowing water.

#### **WHAT CAN HAPPEN:**

Tires may float, causing loss of traction and loss of control, which can lead to an accident or overturn.

#### **HOW TO AVOID THE HAZARD:**

Avoid operating through deep or fast-flowing water. If it is unavoidable to enter water that exceeds the recommended maximum depth, travel slowly, balance your weight carefully, avoid sudden movements, and maintain a slow and steady forward motion. Do not make sudden turns or stops, and do not make sudden throttle changes. Wet brakes may have reduced stopping ability. Always test the brakes after leaving the water. If necessary, apply the brakes several times while driving slowly to dry out the pads.

### **WARNING**

#### **POTENTIAL HAZARD:**

Operating this vehicle with improper tires, or with improper or uneven tire pressure.

#### **WHAT CAN HAPPEN:**

Use of improper tires, or operation of the vehicle with improper or uneven tire pressure, could cause loss of control or an accident.

#### **HOW TO AVOID THE HAZARD:**

Always use the size and type of tires specified in the owner's manual. Always maintain proper tire pressure.

## OPERATOR SAFETY

### **WARNING**

#### **POTENTIAL HAZARD:**

Operating the vehicle with improper modifications.

#### **WHAT CAN HAPPEN:**

Improper installation of accessories or modification of the vehicle may cause changes in handling which could lead to an accident.

#### **HOW TO AVOID THE HAZARD:**

Never modify the vehicle through improper installation or use of accessories. All parts and accessories added to the vehicle must be genuine parts or equivalent components designed for use on this vehicle, and they should be installed and used according to approved instructions. Consult your dealer for more information.

### **WARNING**

#### **POTENTIAL HAZARD:**

Operating on frozen bodies of water.

#### **WHAT CAN HAPPEN:**

Severe injury or death can result if the vehicle falls through the ice.

#### **HOW TO AVOID THE HAZARD:**

Never operate the vehicle on a frozen body of water.

## OPERATOR SAFETY

 **WARNING**

Leaving the keys in the ignition can lead to unauthorized use of the vehicle, resulting in serious injury or death. Always remove the ignition key when the vehicle is not in use.

 **WARNING**

After any overturn or accident, have an authorized dealer inspect the entire vehicle for possible damage, including (but not limited to) brakes, throttle and steering systems.

 **WARNING**

Safe operation of this vehicle requires good judgment and physical skills. Persons with cognitive or physical disabilities who operate this vehicle have an increased risk of overturn and loss of control, which could result in severe injury or death.

 **WARNING**

Exhaust system components are very hot during and after use of the vehicle. Hot components can cause serious burns and fire. Do not touch hot exhaust system components. Always keep combustible materials away from the exhaust system. Use caution when traveling through tall grass, especially dry grass.

## CONTROLS AND FEATURES

### Controls and Features

#### Primary Controls

##### Hand Brake - 1

This vehicle is equipped with an auxiliary hand brake, which is located at the left of steering wheel. Pulling back the lever applies the mechanical brakes and prevents vehicle movement.

To release the hand brake, pull the handle lever slightly and depress the release button on top of the level, then push the lever to its original position.

#### CAUTION

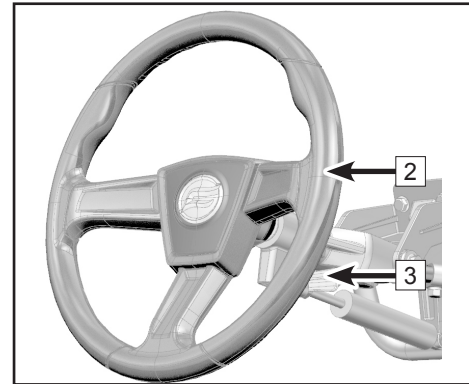
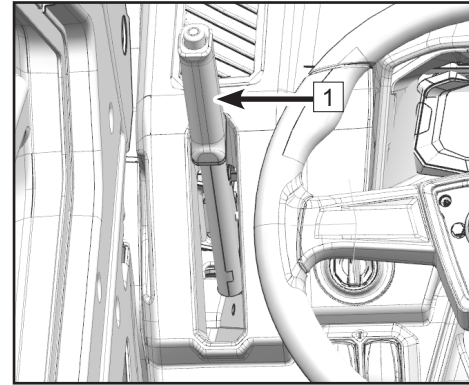
Never depend on the transmission parking feature alone if the vehicle is parked on a hill. Always apply the hand brake and block the wheels on the downhill side of the vehicle to prevent movement. It is recommended to park the vehicle on level ground.

Make sure the hand brake is released before driving the vehicle. Driving without releasing hand brake will lead to wearing of brake pads, cause damage to the brake disc and result in a failure of the brake system.

When the vehicle is moving and the hand brake isn't released completely, the speed will be limited to 7 mph (10 km/h).

##### Steering Wheel - 2

The steering wheel is located in front of driver's seat. Use the steering wheel to turn the vehicle left or right and maneuver the vehicle in the desired direction.



## CONTROLS AND FEATURES

### Tilt Lever and Steering Wheel Lock - 3

A tilt feature allows the steering wheel angle to be adjusted to fit the operator. Pull on the lever and adjust the steering wheel for comfort. Release the lever to lock the steering wheel tilt angle.

### Gear Shift Lever - 4

The gear shift lever is located at the right side of steering wheel. Use for changing the transmission gear selection. Apply brake pedal before shifting gear, to ensure personnel safety.

L – Low Gear: The low speed range of the gearbox. It allows the vehicle to move slowly with maximum torque at the wheels.

#### CAUTION

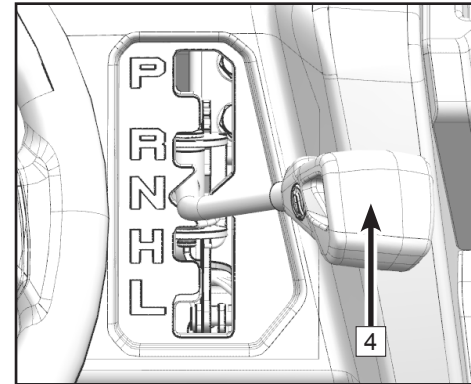
To avoid damage to the CVT system, always use low gear for constant slow speeds below 19 mph (30 kph), pulling a trailer, carrying heavy cargo, going over obstacles, or driving up and down steep hills.

H – High Gear: The high speed range of the gearbox. It is for normal driving speeds over 19mph (30 kph) and allows the vehicle to reach maximum speed.

N – Neutral: In neutral position the engine power output is disengaged.

R – Reverse: The reverse gear position allows the vehicle to go backwards. Speed is limited to 19mph (30 kph) in reverse.

P – Park. The park position locks the gearbox to help prevent vehicle from movement.





## CONTROLS AND FEATURES

### NOTE:

In reverse operation, the engine's RPM is limited to a reverse speed under 15 mph (25 km/h).

 **WARNING**

**Use extreme caution driving downhill in reverse. Gravity can increase the vehicle speed above the set limited reverse speed.**

 **WARNING**

**Always shift to PARK (P) position when the vehicle is not in operation. The vehicle can roll if the shift lever is not set to 'P'. Always use the auxiliary hand brake as an additional precaution to prevent vehicle movement.**

## CONTROLS AND FEATURES

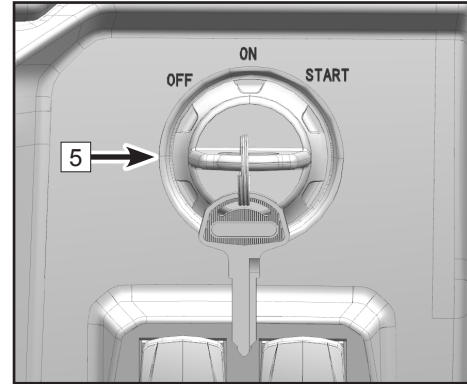
### Key Switch - 5

Key switch is located at the right of steering wheel to turn on the vehicle power and start the engine.

OFF: Turning the key to this position, the vehicle power is off and the engine does not start.

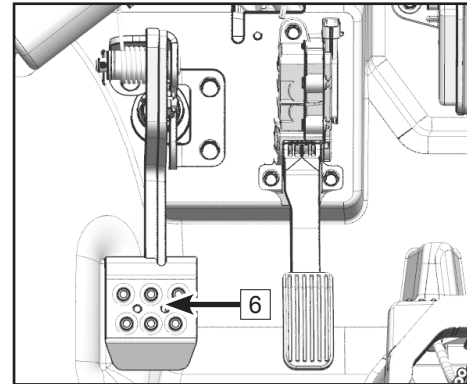
ON: Turning the key to this position, the vehicle power is on and electrical function is available.

START: Turn the key to this position, the vehicle power source is on, and engine start occurs.



### Brake Pedal - 6

The brake pedal is located to the left of the throttle pedal. Release the throttle pedal and press the brake pedal with your foot to slow or stop the vehicle.



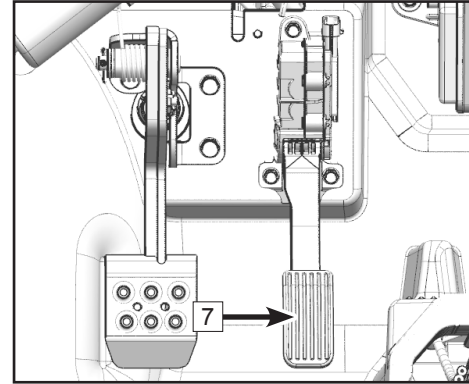
## CONTROLS AND FEATURES

### Electronic Throttle Pedal - 7

The Electronic throttle pedal is located to the right of the brake pedal. The throttle pedal controls engine rpm and vehicle speed. To control vehicle speed, press on the throttle pedal with your right foot. Always check the pedal function before driving.

The electronic throttle and electronic throttle body has the following functions:

1. Starting protection function: The vehicle can start directly in Neutral and Park. Apply foot brake at the same time if the transmission is in Low or High gear.
2. Reverse speed limit function: The vehicle speed is limited to 15 mph (25 kph) while it is in reverse gear.
3. Idling function: When the transmission is in Neutral, engine RPM is limited to 5000 rpm.
4. Brake priority function: When the driver applies both brake pedal and throttle pedal at the same time, the electronic throttle body will return to idle automatically.
5. Limp home function: When a fault of the electronic throttle body or electronic throttle pedal is detected, the system will enter into torque limitation or limp home mode. If a fault occurs in the electronic throttle body, the engine will enter into torque limitation and RPM returns back to be idle state. If a fault occurs in the electronic throttle pedal, the vehicle will enter into limp home mode and the top RPM will be less than 5000 rpm.






## CONTROLS AND FEATURES

### Secondary Controls

#### Dashboard Switches and Controls - 8

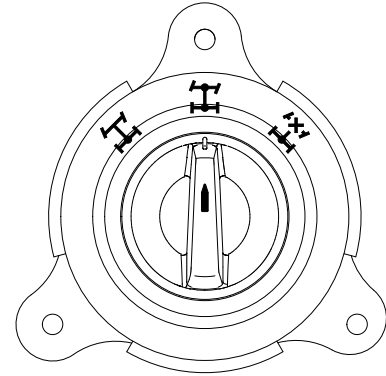
##### 2WD / 4WD Switch

This vehicle is equipped with an on-command “2WD”/“4WD” and front diff-lock “LOCK”/“4WD” switch on the dashboard. Select the appropriate drive mode according to terrain and conditions:

	2WD - When the switch is on this position, power is supplied to the rear wheels only.
	4WD - When the switch is on this position, power is supplied to both front and rear wheels.
	4WD-LOCK - When the switch is on this position, power is supplied to the rear and front wheels and the front differential is locked. Unlike 4WD mode, all the wheels turn at the same speed.

#### CAUTION

The vehicle must be stopped to engage or disengage 2WD/4WD and 4WD-LOCK. Mechanical damage may occur if the switch is engaged or disengaged while driving.




## CONTROLS AND FEATURES

### On-Command 2WD / 4WD / 4WD-LOCK Switch Operation:

**To change from 2WD to 4WD:** Stop the vehicle. Turn the switch from left to middle.

The 4WD indicator “” on dashboard light up.

**To change from 4WD to 2WD:** Stop the vehicle. Turn the switch from middle to left.

The 2WD indicator “” on dashboard light up.

**To change to 4WD-LOCK:** Stop the vehicle. Turn the switch from middle to right.

The 2WD/4WD diff-lock “” on dashboard light up.

### NOTE: 4WD-LOCK OPERATION

Steering will require greater effort in 4WD-LOCK mode.




When the switch is set to “LOCK”, the front diff-lock indicator light will flash until the front differential is locked. If the indicator light is flashing, turning the steering left and right will help the front gear locking mechanism to engage.

Riding before the front differential lock is properly engaged (e.g., the indicator light is flashing) will cause the engine speed to be limited until engagement is complete.

## CONTROLS AND FEATURES

### Main Light Switch

The main light switch consists of 3 positions. Choose the desired position according to the function icons:

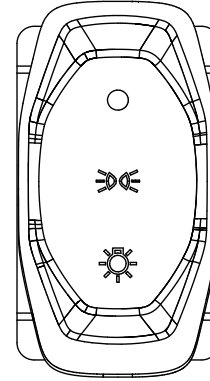
	When the switch is at this position, head light, position light and tail light are on .
	When the switch is at this position, daytime running light, tail light, and front position light are on.
	When the switch is at this position, only daytime running light is on and all lights are off

### **NOTE:**

Ignition switch must be turned to 'ON' position to operate head lights.

### **CAUTION**



Do not use the headlights with the engine turned off for more than 15 minutes. The battery may discharge to a point that the starter motor will not operate properly. If this should happen, remove the battery and recharge it.

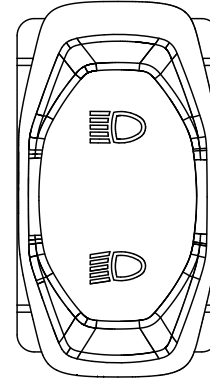


## CONTROLS AND FEATURES

### Low Beam / High Beam Switch

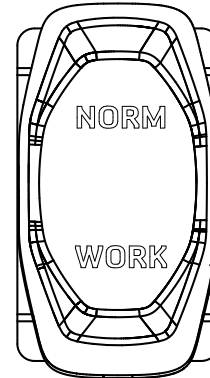
Switch consists of two positions. Choose the desired position according to the function icons:

	When the switch is on this position, high beam is on.
	When the switch is on this position, low beam is on.



### Mode Switch


<b>WORK</b>	<p>When the switch is on this position, the vehicle is in 'WORK' mode. The dashboard display will also shift to 'WORK' mode. The vehicle will have a less aggressive throttle response for smooth starts and is intended for flat trails, hard pack ground, etc. Use for light-duty riding.</p> <p><b>NOTE: Do not use this mode for driving situations that place high load on the CVT belt. Damage may occur.</b></p>
<b>NORMAL</b>	<p>When the switch is on this position, the vehicle is in 'NORMAL' mode. The dashboard display will also shift to 'NORMAL' mode. The vehicle will have a faster throttle response.</p> <p><b>NOTE: Use this mode for work loads, complex terrain or trails, and other driving situations that can place a high load on the CVT belt.</b></p>

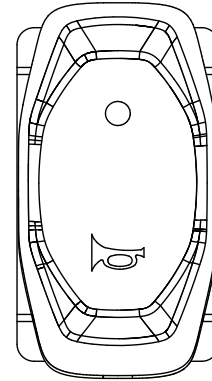


## CONTROLS AND FEATURES

### Horn Switch


(If equipped-available only in select markets)

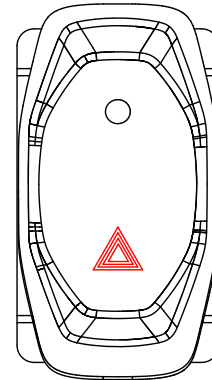
	Press the icon switch to sound the horn.
<input type="radio"/>	The switch automatically rebounds back to this position. The horn will not sound.



### Hazard Switch

(If equipped-available only in select markets)

	When the switch is on this position, front and rear turning light will flash. The hazard switch indicator light in the dashboard will be on.
<input type="radio"/>	When the switch is on this position, front and rear turning light will stop flashing. The hazard switch indicator light in the dashboard will be off.

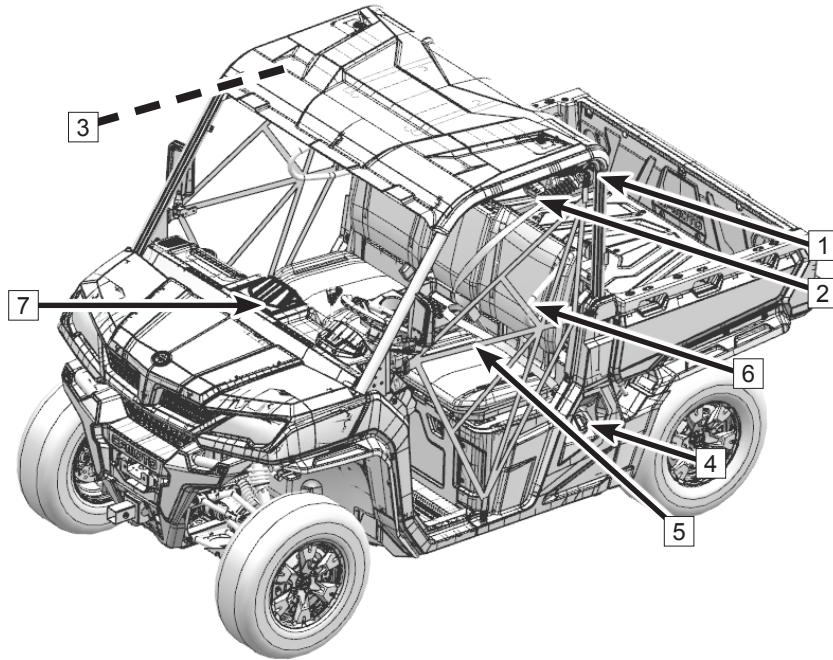




# CONTROLS AND FEATURES

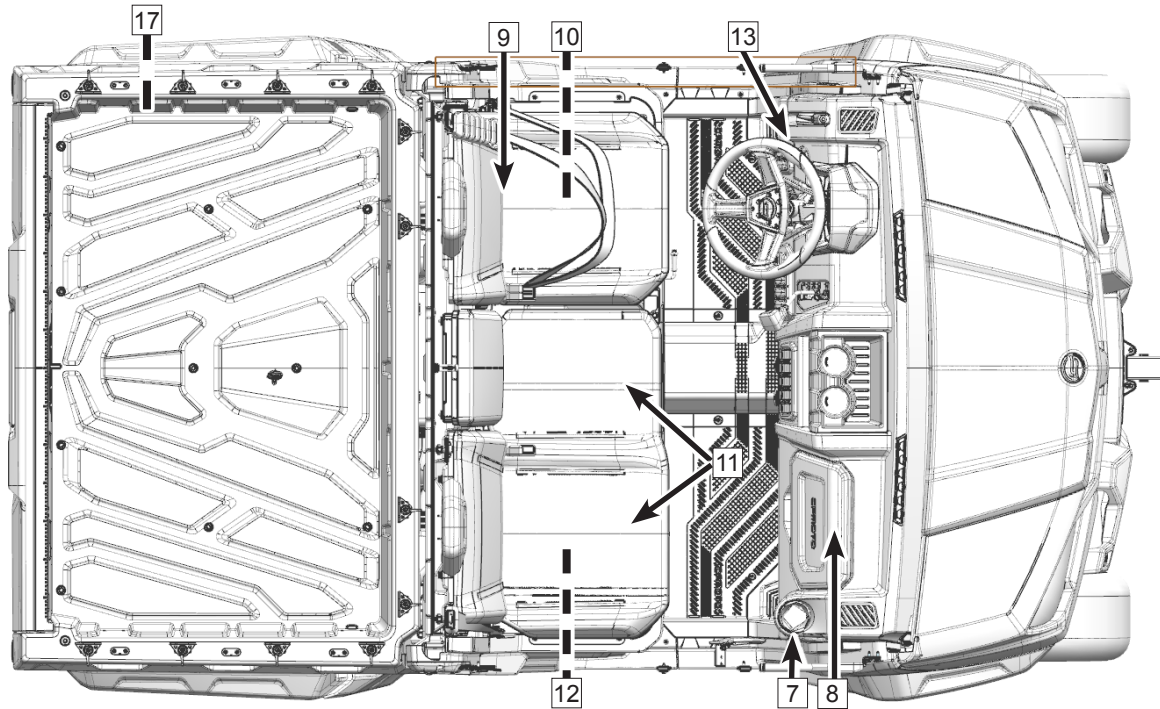
## Vehicle Feature Locations and Descriptions

### Feature Locations - UFORCE 1000 (1 of 3)



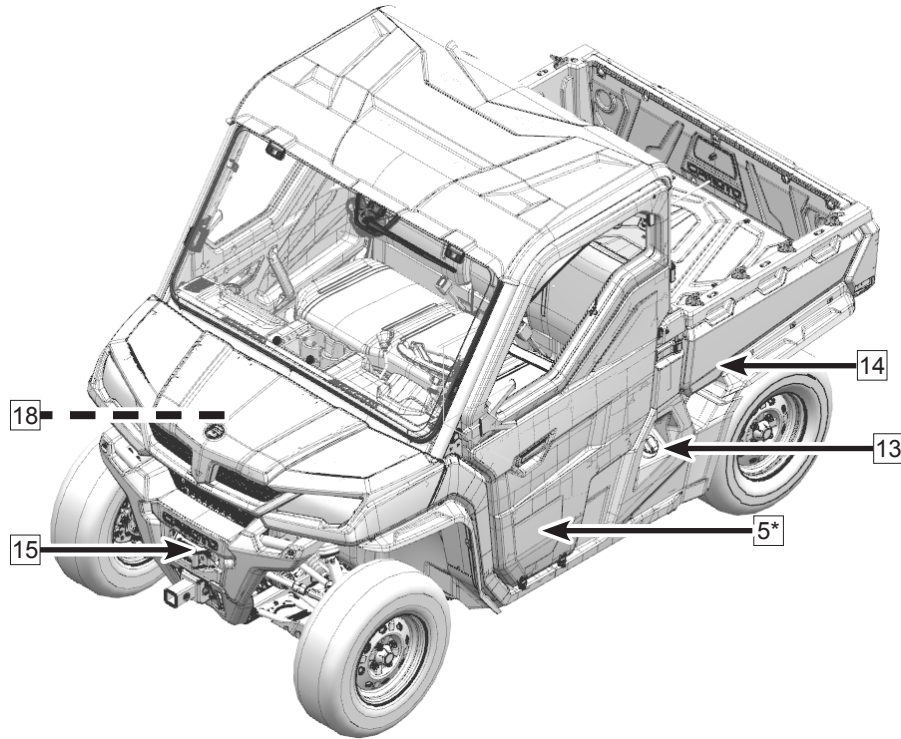
# CONTROLS AND FEATURES

## Feature Locations - UFORCE 1000 (2 of 3)



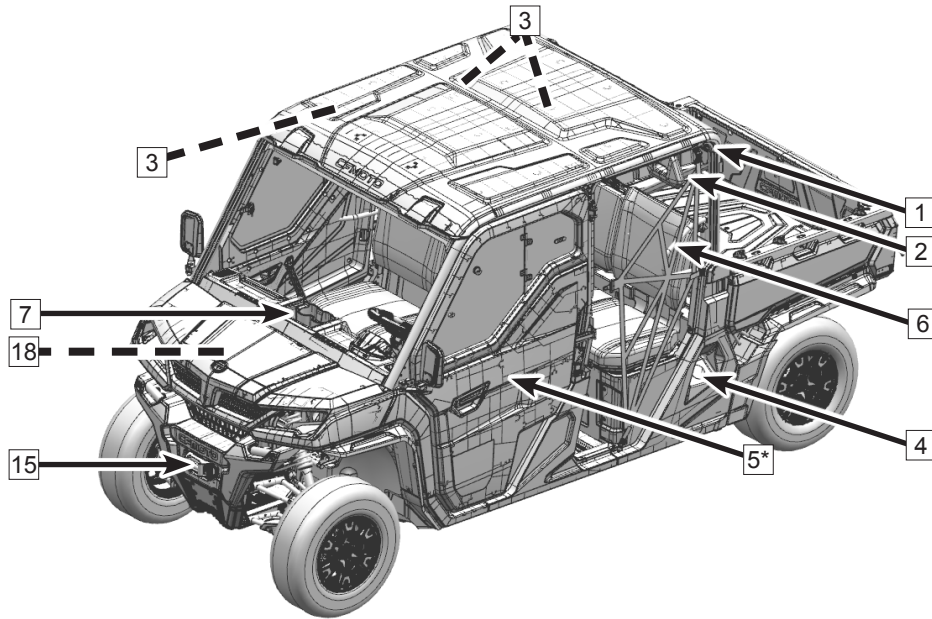
## CONTROLS AND FEATURES

### Feature Locations - UFORCE 1000 (3 of 3)



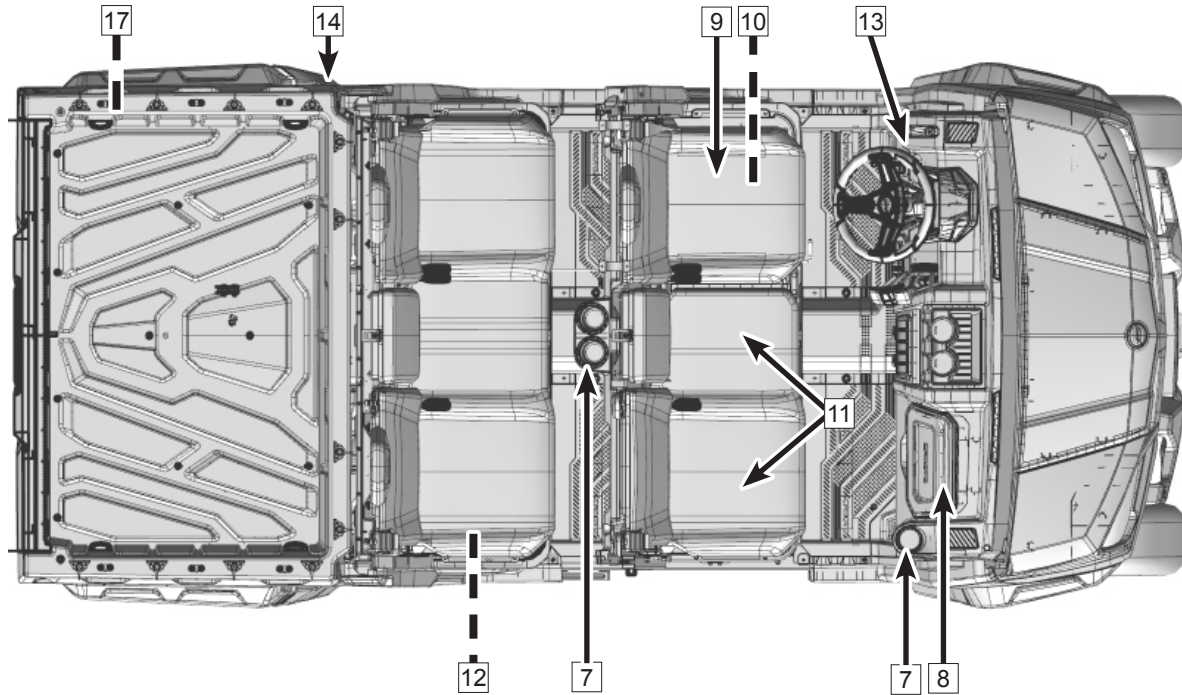
# CONTROLS AND FEATURES

## Feature Locations - UFORCE 1000XL (1 of 2)



# CONTROLS AND FEATURES

## Feature Locations - UFORCE 1000XL (1 of 2)



## CONTROLS AND FEATURES

### Feature Descriptions - UFORCE 1000 / 1000XL

#### Roll Over Protection System (ROPS) - 1

ROPS cab frame helps to protect the occupants from injury in case of a rollover or other dangerous situation. Never put your hands and/or feet outside of the vehicle when driving.

#### Safety Belts - 2

This vehicle is equipped with safety belts to help protect the driver and passengers in the event of collisions, rollovers or tip-over to keep occupants in the cab.

Seatbelt Reminder Function: An indicator displays when the seat belt is not fastened. When latch plate is not pushed into the buckle, an indicator on the dashboard will illuminate and engine RPM is restricted within 3700 for UFORCE 1000 / 1000 XL. When the latch plate is pushed into the buckle, the indicator on the dashboard will be off and the engine speed limiting feature is disabled.

#### Safety Handrail - 3

There is a handrail at both sides of the vehicle top bar. The UFORCE 1000XL has handrails located behind the front seats. Holding the handrail allows a passenger to brace against the movement of the vehicle and keep the hands and body inside the cab in case of rollover.

#### Fuel Tank - 4

The fuel tank fill cap is located at the driver side of the vehicle near the driver seat. To fill the tank, grasp the fuel cap firmly, then turn counter-clockwise and remove it. Reinstall the fuel cap securely after filling is completed. Fuel tank volume is 10.6 gallons (40 L).

## CONTROLS AND FEATURES

### **Safety Nets / Side Doors\* - 5**

If equipped, safety nets are provided on each side of the cab to help to protect the driver and passenger(s) in the cab. Always attach the safety nets before driving the vehicle. Make sure the mounting points of the nets are securely fixed on the vehicle, and buckle the net into the lock connector before operation

If equipped, side doors help to protect the driver and passenger(s) in the cab. Always latch the side doors before driving the vehicle. (\*Side doors supplied as standard equipment according to market).

### **Shoulder Guards - 6**

The vehicle is equipped with shoulder guards to help restrain the body of the driver and passenger inside vehicle.

### **Cup Holder - 7**

For holding beverages.

### **Glove Box - 8**

The glove box is located in the front of passenger seat. The wired winch controller or basic tool kit is typically stored in the glove box.

### **Driver Seat - 9**

The driver's seat offers fore and aft adjustment. To adjust the seat, turn the lever to unlock it. Release the lever to lock the seat into desired position. A pull strap at the back of the seat allows the seat to tilt forward for maintenance.

### **Driver's Seat Storage - 10**

This vehicle is equipped with storage under the driver's seat made to carry light objects. A pull strap at the back of the seat allows the seat to tilt forward for access. The ECU and diagnostic port are located under the driver seat of the UFORCE 1000.

## CONTROLS AND FEATURES

### Passenger Seat - 11

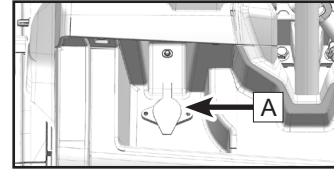
The passenger bench seat is not adjustable. Seat back and seat bottom can be removed when necessary for maintenance or access to storage.

### Portable Storage Box - 12

This vehicle is equipped with a portable storage box under the passenger seat (UFORCE 1000XL - rear passenger seat) to carry light objects. The ECU and diagnostic port are located under the right side passenger seat of the UFORCE 1000XL.

### Winch Control Power Port - 13

This vehicle is equipped with a wired winch controller and power port **A**. The power port is located on the lower left side of the steering wheel.



### Cargo Box and Tilt Feature - 14

Refer to the safety decals on the cargo box for load information. The cargo box has a release handle on each side that can be used to tilt the box for maintenance or to dump material.

### Winch - 15

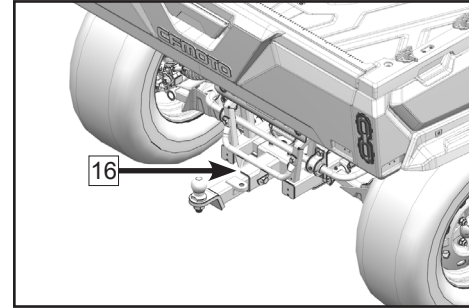
This vehicle is equipped with a 3500-lb winch (UFORCE 1000) or a 4500-lb winch (UFORCE 1000XL). A standard winch controller is supplied that is typically stored in the glove compartment. To preserve battery power, only operate the winch while the engine is running. Please refer to the winch operation section of this manual for further information, or consult with your dealer on the use of the winch before using your vehicle.



## CONTROLS AND FEATURES

### Hitch Receiver - 16

This vehicle is equipped with a 2 in. x 2 in. (51 mm x 51 mm) standard hitch receiver. Please consult with your dealer on towing and the use of trailers before using your vehicle.

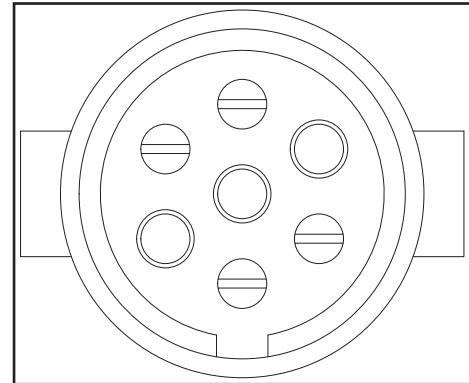


### Trailer Power Socket - 17

(If equipped - standard in select markets)

This vehicle is equipped with 7-pin trailer power connector, located in the right rear inner wheel area of the vehicle, which requires an accessory trailer socket and wiring adapter. The trailer power socket wires are configured to the standard shown in the image.

When not equipped, an accessory trailer power socket and power converter is required to connect trailer wiring. Contact your dealer for more information.



### ⚠ CAUTION

When equipped, the unilateral turning light power draw at the trailer power socket should be always within 1W~21W.

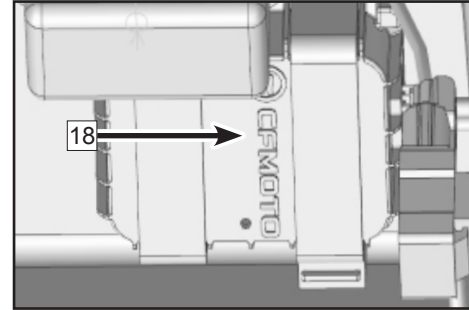
CFMOTO recommends checking your trailer's power requirement to ensure it is within the power range to prevent turning light failure.

## CONTROLS AND FEATURES

### Telematics BOX (T-BOX - If equipped) - 18

The telematics box, or T-BOX, is an optional component in select markets. Upon purchase of your CFMOTO vehicle, check with your dealer to determine if your vehicle is equipped with T-BOX connectivity.

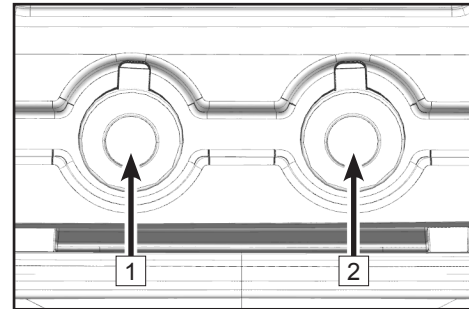
The T-BOX is an intelligent vehicle terminal that builds a communication bridge between owners and vehicles through the CFMOTO RIDE APP installed on a mobile device. The CFMOTO RIDE APP is available for download from the Apple App Store for iPhone or Google Play for Android.



### Accessory Vehicle Features

#### 12 Vdc / USB Accessory Power

Auxiliary 12Vdc power and USB outlets are provided on the right side of the dashboard for operating accessories such as hand-held spot lights and charging electronic devices. Please consult with your dealer on the use of powered accessories with your vehicle.



1	12 Volt Accessory Power	2	USB
---	-------------------------	---	-----

## CONTROLS AND FEATURES

### Wired Winch Controller and Power Port

This vehicle is equipped with a wired winch controller. The power port is located on the lower left side of the steering wheel.

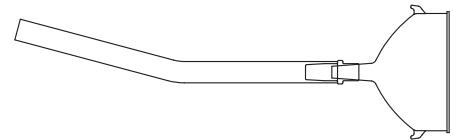


### Anchor Hooks

Anchor hook points are located in the cargo box to secure cargo inside the cargo box.

### Oil Fill Funnel and Hose

This vehicle is equipped with an oil fill funnel and hose for maintenance, which are stored in the tool box under the passenger's seat.



## CONTROLS AND FEATURES

### Brake Fluid Reservoir and Level Indicator

Brake master cylinder reservoir level can be viewed under the front access cover. Check the brake master cylinder fluid level before each use of the vehicle. If the fluid level is lower than the “low” mark, determine the cause or refill with brake fluid as necessary.

#### NOTE:

When checking the fluid levels, the vehicle must be on level ground. If the fluid level is lower than the “lower” mark, add DOT4 brake fluid. Do not overfill.

 **WARNING**

**An over-full master cylinder may cause brake drag or brake lockup, which could result in an accident causing serious injury or death. Maintain brake fluid at the recommended level. Do not overfill.**

 **WARNING**

**Never store or use a partial bottle of brake fluid. Brake fluid is hygroscopic, meaning it rapidly absorbs moisture from the air. The moisture causes the drop of boiling temperature of the brake fluid, which can lead to early brake fade and the possibility of accident or severe injury. After opening a bottle of brake fluid, always discard any unused portion.**

## CONTROLS AND FEATURES

### CVT System

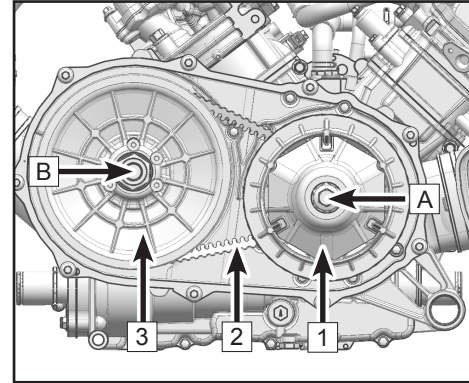
This vehicle has a Continuously Variable Transmission (CVT) system that utilizes a drive belt and clutch pulleys to automatically vary transmission drive ratios, allowing infinite variability between the highest and lowest vehicle speeds with no discrete steps or shifts.

The CVT system consists of a primary clutch **1**, which is an advanced form of centrifugal clutch that is mounted to the engine crankshaft **A**.

The secondary clutch **3** is mounted to the input shaft of the transmission **B** and serves two functions; As a “slave” pulley to the primary clutch, and to provide a torque sensing element that shifts drive ratios.

The drive belt **3** is a heavy duty V-belt that connects the engine and transmission clutch pulleys.

A CVT housing and cover encloses the clutches and belt assembly. There are inlet and outlet cooling ducts that route air to cool the components, and they should be regularly inspected. The CVT components do not contain any user maintenance items. Contact your dealer for service.



#### NOTE:

To extend belt life, use low forward gear in heavy pulling situations and when operating at less than 12 mph (19 km/h) for extended periods of time. If towing the vehicle becomes necessary, shift the transmission into neutral for better mobility and to prevent damage to the belt.

## **CONTROLS AND FEATURES**

### **Engine Braking System (EBS)**

#### **(Australia Market Only)**

This vehicle is equipped with an engine braking system. Which occurs when the throttle is completely closed, the engine is below the primary clutch engagement RPM, and the vehicle is at speed. It uses the engine's compression/resistive force to slow the over-driving transmission speed via the CVT drive belt, thereby slowing the entire vehicle gradually.

Engine braking is always active, and offers the most benefit when:

Used in conjunction with 4WD and 4WD Diff-Lock Modes.

Descending steep or slippery hills.

Descending rocky downhill terrain.

Slowing while towing heavy loads.

Assisting normal brake system application.

EBS is not a substitute for the vehicle brake system, although increased brake pad and disc life are realized when EBS assists normal brake system operation. The EBS is non-adjustable, and does not contain any user maintenance items. Contact your dealer for service.

## CONTROLS AND FEATURES

### How To Avoid CVT Drive Belt and Component Failure

CVT clutch and belt life can be dramatically extended by avoiding these common operating mistakes:

<b>Causes CVT Damage:</b>	<b>How To Avoid CVT Failure:</b>
Attempting to load the vehicle onto a truck bed or tall trailer in high gear.	Shift transmission to low gear during loading of the vehicle to prevent belt burning.
Starting out on a steep incline in high gear.	When starting out on steep inclines, use low gear.
Constant driving at low RPM, driving at just above clutch engagement RPM, or at low speed (Less than 12 mph [19 km/h]) in high gear.	Low gear is highly recommended for cooler CVT operating temperatures and longer component life. Drive at a higher speed or use low gear more frequently.
Insufficient warm-up of CVT exposed to low ambient temperatures	Warm the engine before driving, the CVT drive belt will become more flexible and prevent belt burning.
Slow throttle and easy CVT engagement.	Use the throttle with purpose and effectively for efficient CVT clutch engagement.
Towing/pushing at low RPM/low ground speed.	Use low gear only.
Utility use/plowing snow, dirt, etc.	Use low gear only.
Heavy vehicle load operating at low speed	Use low gear only.

## CONTROLS AND FEATURES

Causes CVT Damage:	How To Avoid CVT Failure:
Stuck in mud or snow.	Shift the transmission to low gear, and carefully use fast, aggressive throttle application to engage CVT. <b>WARNING:</b> Excessive throttle may cause loss of control and vehicle overturn.
Climbing over large objects from a stopped position.	Shift the transmission to low gear, and carefully use fast, brief, aggressive throttle application to engage the CVT. <b>WARNING:</b> Excessive throttle may cause loss of control and vehicle overturn.
Belt slipping from water or snow ingestion into the CVT system.	Drain the water from the CVT housing and dry the CVT if possible, or contact your dealer.
Overheating of the CVT components causes malfunction.	Contact your dealer for inspection and repair of the CVT components.

### NOTE:

Low gear is the preferred transmission gear selection when:

- Constant driving speeds are lower than 19 mph (30kph)
- Driving on level road surfaces, and the vehicle is carrying/towing more than 584 lb. (265kg)
- Driving on muddy or rough road surfaces, and the vehicle is carrying/towing more than 430 lb. (195kg).



## MAINTENANCE

### What to do if water collects in the CVT housing

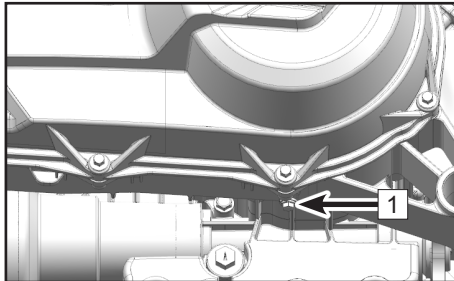
If the vehicle was submerged in water deep enough that water has entered the CVT housing, remove the drain bolt **1** at the bottom of the housing to drain the water from the case.

#### CAUTION

If water drains from the CVT housing after removing the bolt, have your dealer inspect the vehicle, as water may have affected the CVT system and other engine parts.

### Drying a Wet CVT System

If the CVT system was submerged and the drive belt is slipping, any remaining moisture inside the CVT housing after draining can be expelled by running the engine above 2000 RPM in Park or Neutral for 30~60 seconds, then testing for proper CVT function in low gear. Repeat as necessary. If the CVT system continues to slip or have poor performance, contact your dealer.



**1** | Drain Bolt, CVT Housing

## CONTROLS AND FEATURES

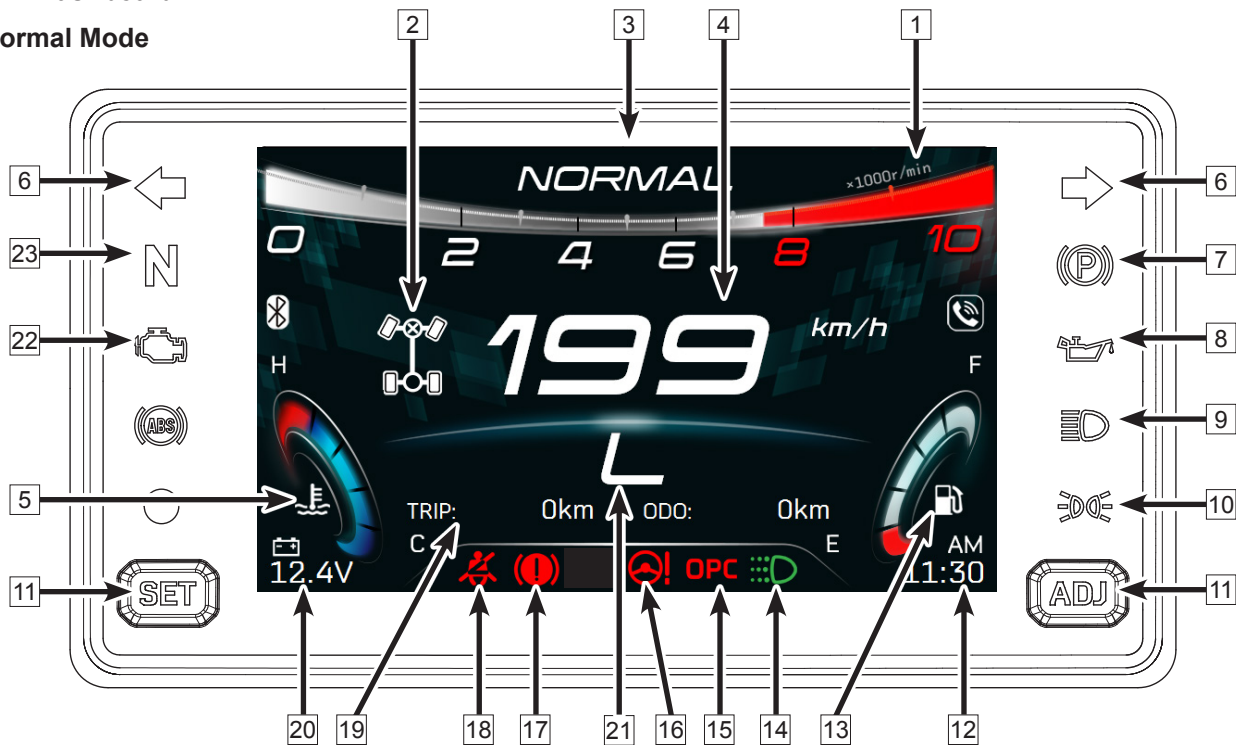
### Dashboard Indicators and Operation - Normal / Work Modes

1	Engine RPM	7	Parking Brake Indicator	13	Fuel Gauge	19	Odometer
2	Drive Mode	8	Oil Pressure Signal Indicator	14	Daytime Running Lamp Indicator	20	Voltage Display
3	Mode Display	9	High-beam Light Indicator	15	OPC Indicator	21	Gear Position Display
4	Speedometer	10	Position Light Indicator	16	EPS Fault Warning Indicator	22	EFI Fault Indicator
5	Coolant Temperature	11	Adjusting Button	17	Brake Fault Warning Indicator	23	Neutral Pilot Lamp
6	Turning Light	12	Clock	18	Seat Belt Warning Light	24	New Driver Mode Indicator (Requires T-Box)

# CONTROLS AND FEATURES

TFT Dashboard

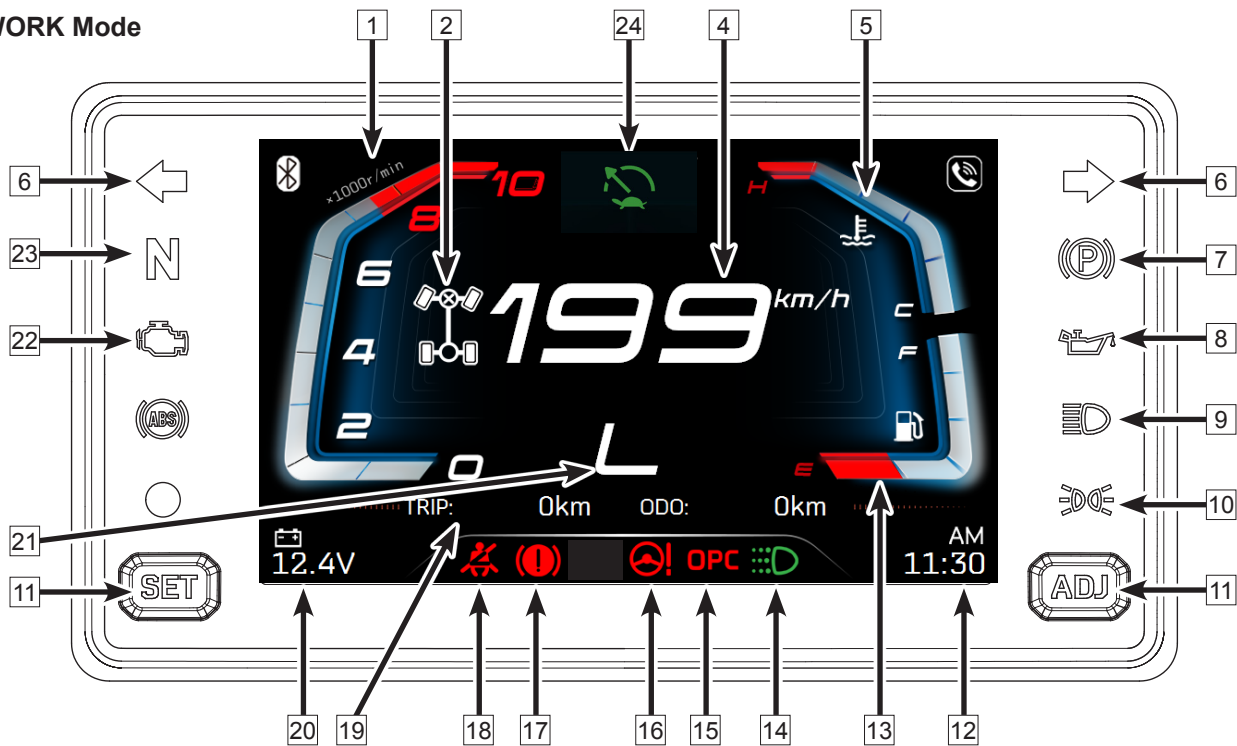
Normal Mode



# CONTROLS AND FEATURES

TFT Dashboard

WORK Mode



## CONTROLS AND FEATURES

### **Engine RPM - 1**

Indicate the engine current RPM.

### **Drive Mode - 2**

It indicates 2WD, 4WD or 4WD-LOCK drive method chosen.

### **Mode Display - 3**

Display the selected mode “WORK” or “NORMAL”.

### **Speedometer - 4**

Speedometer. This dashboard section can be toggled to display the vehicle speed in Kilometers per hour (km/h) or Miles Per Hour (MPH).

### **Coolant Temperature - 5**

This dashboard section displays the current coolant temperature, ‘C’ is low temperature, ‘H’ is high temperature. Both over-low and over-high are abnormal. Idle the vehicle to warm the engine when it’s too cold, and park the vehicle when it’s too hot to prevent the coolant from boiling. Keep the coolant temperature in a normal range.

### **Turning Light - 6**

If equipped.

### **Parking Brake Indicator - 7**

This indicator displays when parking brake function is activated.

## CONTROLS AND FEATURES

### **Oil Pressure Signal Indicator - 8**

The oil pressure indicator illuminates when the oil pressure is very low. Please stop your vehicle safely at once when the indicator is on, and contact your dealer to investigate the fault.

### **High-beam Indicator - 9**

This indicator illuminates when the headlight switch is in this position.

### **Position Light Indicator - 10**

This indicator illuminates when the light switch turns to position light.

### **Adjusting Button - 11**

Set the selected function with SEL / ADJ buttons.

### **Clock - 12**

This dashboard section can be adjusted to the correct time using the 'SEL' and 'ADJ' buttons. Refer to the 'Navigation / Settings / Adjustments' section of the owner's manual for instructions.

### **Fuel Gauge - 13**

Indicates the fuel level in the fuel tank. "F" indicates the fuel level is about 40 L.

When fuel gauge is in red zone, the residual fuel in the fuel tank is about 3 L. Refuel in this case.

Display the fuel level in the fuel tank.

- When FUEL 3 alarm is set for minimum fuel, the fuel tank contains approximately 1.95 gal. (7.4 L).  
When adjusted to this minimum alarm, the dashboard shows the fuel to be equal or more than 1 bar.
- When FUEL 2 alarm is set for minimum fuel, the fuel tank contains approximately 1.19 gal. (4.5 L).  
When adjusted to this minimum alarm, the dashboard shows the fuel to be equal or more than 1 bar.
- When FUEL 1 alarm is set for minimum fuel, the fuel tank contains approximately 0.55 gal. (2.1 L).  
When adjusted to this minimum alarm, the dashboard shows the fuel to be equal or more than 1 bar.

## **CONTROLS AND FEATURES**

### **Daytime Running Lamp Indicator - 14**

When the vehicle starts, daytime running lamp turns on and this indicator displays. When the position light, low beam, high beam and turning light turn on, the daytime running lamp and daytime running lamp indicator will turn off.

### **OPC Indicator - 15**

Occupant Presence Control. This indicator displays if the driver left vehicle without parking. Buzzer will sound at the same time.

### **EPS Indicator - 16**

This indicator light flashes when a fault occurs in the Electronic Power Steering system.

### **Brake Fault Warning Indicator - 17 (If equipped)**

This indicator displays when brake fluid level is low.

### **Seat Belt Warning Light - 18**

Seatbelt Reminder. This indicator displays when the seat belt is not fastened. When latch plate is not pushed into the buckle, indicator on the dashboard will be on, and limit the RPM range within 3700 RPM; When the latch plate is pushed into the buckle, indicator on the dashboard and speed-limit function will be off.

### **Odometer - 19**

Displays the total mileage or trip mileage the vehicle has traveled. Total mileage or trip mileage can be shifted by using SEL button.

### **Voltage Display - 20**

It displays battery voltage.

## CONTROLS AND FEATURES

### **Gear Position Indicator - 21**

This indicator displays gear position when the transmission is in Low (L), High (H), Neutral (N), Reverse (R) or Park (P).

### **EFI Fault Indicator - 22**

This indicator displays when a fault occurs in the Electronic Fuel Injection system.

### **Neutral Indicator - 23**

This indicator displays when the transmission is in Neutral.

### **New Driver Mode Indicator - 24 (Available in select markets)**

When connected to the CFMOTO RIDE APP, a BEGINNER mode can be activated. While in BEGINNER mode, an icon will display on the dashboard and the vehicle speed will be limited to under 25 mph (40 km/h). Check with your dealer to determine if this feature is available in your market.



## CONTROLS AND FEATURES

Dashboard Navigation - Settings and Adjustments						
Item	Displays	SET	ADJ	Operation	Result	
Odometer	'TOTAL'	Short press		Shifts to trip	TRIP interface	
TRIP	'TRIP'		Long press	Trip resets to zero	TRIP distance reset	
		Short press		Shifts to engine hour	Engine hour display	
Engine hour	'H'	Short press		Shifts to EFI fault code	EFI fault code	
EFI fault code	'-----' or EFI fault code	Short press		Shifts to voltage	Voltage display	
Voltage	'V'	Short press		Shifts to dashboard brightness	Brightness level interface	
Dashboard brightness	'LED'		Short press	Adjust brightness +1	Level 1-2-3-4-5	
		Short press		Shifts to low fuel alarm	Low fuel alarm interface	
Low fuel alarm	'FUEL'		Short press	Adjusts low fuel alarm level	FUEL 1 - FUEL 2 - FUEL- 3	
		Short press		Shifts to odometer	Odometer	
Home interface (odometer mode)	Home interface		Short press	Adjust brightness +1	Brightness level	
		Long press		Enters time / format setting	Hour setting flash	
	Hour setting		Short press		Adjust hour +1	Hour set
			Long press		Incremental 1-12 / 1-24	Hour set
		Short press			Shifts time unit to minutes	Minutes setting flash
	Minute setting		Short press		Adjust minute +1	Minutes set
			Long press		Incremental 00-59	Minutes set
		Short press			Shift to time format	12/24 time unit flash
	12/24 time unit interface		Short press		Toggles 12/24 time format	12/24 time unit set
		Short press			Shifts to Km/Mile format	Km/Mile flash
	Km/Mile format interface		Short press		Toggles Km/Mile Format	Km/Mile format set
		Short press			Exit to home interface	Home interface

**NOTE:**

The fuel number of the low fuel alarm can be changed when the fuel volume reaches two bars or above.

## OPERATING YOUR VEHICLE

### Operating Your Vehicle

#### Break-In Period

The break-in period for a new engine is very important. Careful treatment of a new engine at the beginning of ownership will result in more efficient performance and longer life. Perform the following procedures carefully:

1. Select an open area that allows room to familiarize yourself with vehicle operation and handling.
2. Place the vehicle on a level surface.
3. Fill the fuel tank with gasoline.
4. Check the engine oil level. Add the recommended oil if necessary to maintain the oil level between the minimum and maximum indicators on the dipstick.
5. Position yourself in the operating position on the vehicle, fasten the seatbelt and safety nets or side doors, and start the engine. Allow the engine to idle for a short period before operating.
6. Press the foot brake, select the desired gear, and then release the foot brake.
7. Apply throttle. Drive slowly at first, varying throttle positions not more than  $\frac{1}{2}$  throttle for 10 hours or 100 miles, then another 10 hours or 100 miles of not more than  $\frac{3}{4}$  throttle (whichever interval arrives first). Do not operate at sustained idle or sustained wide open throttle.
8. Do not pull or carry any heavy loads during the break-in period.
9. Periodically check coolant level, controls, etc. Along with the items outlined in the periodic maintenance chart.
10. At the end of the break-in period, change the oil and filter (20 hours or 200 miles / 320 km).

## OPERATING YOUR VEHICLE

### Brake Break-In Period

 **CAUTION**

During the break-in period, the brake system pads and discs require wear-in and may not have reached optimal performance.

When pads and discs are new, avoid following other vehicles too closely or operating situations that require emergency stopping to avoid an accident.

## OPERATING YOUR VEHICLE

### CAUTION

To avoid engine damage during the break-in period:

- Do not operate at sustained full throttle. Damage to engine parts or decrease engine life may result if excessive wide open throttle is used during the first 20 hours of use.
- Do not run engine with throttle over 1/2 open during the first 10 hours (or 100 miles/160km) of use.
- Do not run engine with throttle over 3/4 open during the first 10 to 20 hours (or the second 100 miles/160km) of use.
- Do not haul or tow heavy cargo.

### Recommended Engine Oil Viscosity

Use of any oil other than those recommended may cause serious engine damage. CFMOTO recommends the use of 10W-40 for 4-stroke engines. Changing engine oil viscosity to 5W-40 due to extreme cold environments or 15W-40 due to hot environments is acceptable. Reference the chart below for ambient temperature and viscosity choice.

Oil Viscosity	15W-40							
	10W-40							
	5W-40							
F°	-22	-4	14	32	50	68	86	104
C°	-30	-20	-10	0	10	20	30	40

## OPERATING YOUR VEHICLE

### Pre-Ride Inspection

Before each use of the vehicle, a best practice is to complete the pre-ride inspection checklist.

 **WARNING**

**If a proper inspection is not done before each use, severe damage to the vehicle, severe injury, or death could result. Always inspect the vehicle before each use to ensure it is in proper operating condition.**

### Throttle

Before starting the engine, check the throttle pedal to be sure it is operating smoothly. Make sure it returns to the idle position as soon as the pedal is released. Regulate the speed of the vehicle by varying the throttle position. Because the throttle pedal is an electrically operated mechanism controlled by an ECU, the vehicle will decelerate and the engine should return to idle speed any time your foot is removed from the throttle pedal.

### Foot Brake

Before operating the vehicle, push down on the pedal to apply the front and rear brakes. When pressed, the lever or pedal should feel firm. A soft brake pedal would indicate a possible fluid leak or low master cylinder fluid level, which must be corrected before riding. Contact your dealer for proper diagnosis and repairs.

## OPERATING YOUR VEHICLE

### Starting the Engine

 **WARNING**

**Never run an engine in an enclosed area. Engine exhaust contains poisonous carbon monoxide and can cause loss of consciousness, resulting in severe injury or death.**

#### Starting a cold engine

1. Verify the gear selector is shifted to the Park or Neutral position.
2. Apply the foot brake.
3. Turn the key switch to position “ON”. The vehicle is powered on.
4. Wait until the instrument self-inspection is finished, then turn the key to position “START”.  
The engine will start.
5. Once the engine starts, allow the engine to warm up for a short period before operating the vehicle.

#### **NOTE:**

Do not activate the starting system more than 10 seconds on each attempt. If the engine fails to start, release the start switch, pause a few seconds before the next attempt, then try the starting again. Each attempt should be as short as possible to preserve battery power.

Engine start-up is recommended when the transmission is in Neutral or Park. If the indicator on the dashboard does not come on when the gear selector is in either position, contact your dealer to inspect the indicator electrical circuit or adjust the gear shifting system.

 **CAUTION**

**Allow the engine to warm up for a short period before operating the vehicle. Operating the vehicle immediately after starting could cause engine damage.**

**Do not activate the starting system continuously. Failure to start the engine multiple times may cause the starting motor to burn out.**

## OPERATING YOUR VEHICLE

### Shifting the Transmission

<b>CAUTION</b>
----------------

<b>To avoid transmission damage, return the throttle to the closed position, stop the vehicle, and apply the foot brake before shifting.</b>
--

#### **NOTE:**

Low gear is the preferred transmission gear selection when:

- Constant driving speeds are lower than 19 mph (30kph)
- Driving on level road surfaces, and the vehicle is carrying/towing a heavy load.
- Driving on muddy or rough road surfaces, and the vehicle is carrying/towing a heavy load.

#### **Shifting Out of Park**

1. Verify the throttle is closed.
2. Apply the foot brake and press the gear selector button.
3. Shift to the desired gear by moving the gear selector along the shift guide.

#### **Shifting: Neutral to High Gear**

1. Verify the throttle is closed and the vehicle is stopped completely.
2. Apply the foot brake.
3. Shift to 'H' by moving the gear selector along the shift guide.

#### **Shifting: High Gear to Low Gear**

1. Verify the throttle is closed and the vehicle is stopped completely.
2. Apply the foot brake.
3. Shift to 'L' by moving the gear selector along the shift guide.

## OPERATING YOUR VEHICLE

### Shifting: Low Gear to High Gear

1. Verify the throttle is closed and the vehicle is stopped completely.
2. Apply the foot brake.
3. Shift to 'H' by moving the gear selector along the shift guide.

### Shifting: to Reverse Gear

1. Verify the throttle is closed and the vehicle is stopped completely.
2. Apply the foot brake and press the gear selector button.
3. Shift to 'R' by moving the gear selector along the shift guide.
4. Check behind you for people or obstacles, then release the rear brake pedal.
5. Apply the throttle lever gradually and continue to watch behind you while moving backward.

 <b>WARNING</b>
--

<p><b>Before shifting into reverse, make sure there are no obstacles or people, and the area is safe behind you. When it is safe to proceed, go slowly.</b></p>
---

<p><b>Avoid excessive throttle operation in speed limit mode, as it may cause fuel to build in the exhaust, resulting in engine popping and/or engine damage.</b></p>
---



## OPERATING YOUR VEHICLE

### Shifting: to Park

1. Verify the throttle is closed and the vehicle is stopped completely.
2. Apply the foot brake and press the gear selector button.
3. Shift to 'P' by moving the gear selector along the shift guide. Shake the vehicle forward and backward to verify that parking is engaged.

### NOTE:

- The gear shift indicators should display corresponding to the actual gear position, if the indicator does not display, ask your dealer to inspect the vehicle electrical circuit or adjust the gear shifting system.
- Due to the synchronizing mechanisms in the engine, an indicator may not display until the vehicle starts moving.
- Do not use high gear for continuous slow speed travel or towing, as this can lead to excessive heating of the clutch system, which may damage components.

### CAUTION

If parked on an incline, drivetrain rotating forces may cause difficult transmission shifting out of park. Applying the hand brake before shifting to park will help relieve difficult shifting when parked on an incline. Rocking the vehicle forward or backward while shifting will help avoid component damage.

## **SAFE OPERATION - DRIVING SAFELY**

### **Safe Operation - Driving Safely**

#### **Responsibilities of the Operator**

As the operator of this vehicle, your common sense, judgment, and abilities are the only factors that will prevent injury to yourself, to others around you, and/or damage to the vehicle or environment.

#### **Recreational, Group, and Distance Riding**

One of the benefits of this vehicle is that it can take you off-road away from most communities. Stay away from areas designated for other types of off-road use unless it is specifically allowed. This includes snowmobile trails, equestrian trails, cross-country ski trails, mountain bike trails, etc. Join a local ATV club. A club can provide you with a map and advice, or inform you about areas where you can ride.

Always keep a safe distance from other riders ahead of you and behind you when riding in a group. Never operate carelessly or make unexpected maneuvers with other vehicles close by. Stay on designated trails and riding areas, and discourage others from operating in unauthorized locations.

#### **Avoiding Accidents, Rollovers and Tip-overs**

Side-by-side vehicles handle differently from other vehicles. Side-by-side vehicles are designed to handle off-road terrain (for example, the wheel base and track width, ground clearance, suspension, drive train, tires, etc.) and as a result, can overturn in situations where vehicles designed for use primarily on paved or smooth terrain may not.

#### **A rollover or other accident can occur quickly during abrupt maneuvers such as:**

- Sharp turns or hard acceleration.
- Deceleration when turning.
- When driving on hills or over obstacles.

## **SAFE OPERATION - DRIVING SAFELY**

Abrupt maneuvers or aggressive driving can cause rollovers or loss of control even in flat open areas. If the vehicle rolls over, any part of your body (such as arms, legs, or head) outside of the cockpit can be crushed and trapped by the cage or other parts of the vehicle. You can also be injured by impact with the ground, cab, or other objects.

### **To reduce the risk of rollovers:**

- Use care when turning.
- Adjust steering inputs accordingly to your speed and environment.
- Slow down before entering a turn.
- Avoid hard braking during a turn.
- Avoid sudden or hard acceleration when turning, even from a stop or low speed.
- Never attempt donuts, skids, slides, fishtails, jumps, or other stunts.
- If vehicle starts to skid or slide, steer in the direction of the skid or slide.
- Never slam the brakes and lock the wheels.
- This vehicle is built primarily for OFF-ROAD purposes. Riding on paved surfaces may seriously affect vehicle handling and control. If you must drive on paved surfaces for a short distance, reduce speed and avoid abrupt inputs to steering wheel, accelerator and brake pedals.

### **This vehicle can roll over sideways, or tip over forward or backwards on slopes or uneven terrain:**

- Avoid side hilling (driving along the slope rather than up or down a hill). When possible, drive straight up and down inclines rather than across them. If you must side hill, use extreme caution and avoid slippery surfaces, objects, or depressions. If you feel the vehicle start to rollover or slide sideways, steer downhill if possible.
- Avoid steep hills and follow procedures in this manual for climbing and descending hills.

## **SAFE OPERATION - DRIVING SAFELY**

- Sudden changes in terrain such as holes, depressions, banks, softer or harder ground or other irregularities may cause the vehicle to tip or become unstable. Observe the terrain ahead and slow down in areas of uneven terrain.

### **This vehicle will handle differently when carrying or pulling a load:**

- Reduce speed and follow instructions in this manual for carrying cargo or pulling a trailer.
- Avoid hills and rough terrain.
- Allow more distance to stop.

### **Be prepared in case of rollover:**

- Latch side doors or side nets and fasten seat belts to help you avoid sticking out arms or legs.
- Never grab the cage while riding. Hands can be crushed between the cage and the ground in a rollover. Keep hands on the steering wheel or handhold.
- Never try to stop a rollover using your arms or legs. If you think that the vehicle may tip or roll, the driver should keep both hands on the steering wheel and both feet firmly planted on the floor. The passenger should keep both hands on the handhold and both feet firmly planted on the floor.

## **SAFE OPERATION - DRIVING SAFELY**

### **Avoiding Collisions**

At higher speeds, there is an increased risk of losing control, particularly in challenging off-road conditions, and the risk of injury in a collision is greater. Never operate at excessive speeds. Always go at a speed that is proper for the terrain, visibility, and operating conditions, and your experience. This vehicle does not have the same kind of protection for collisions as a car; for example, there are no air bags, the cab is not fully enclosed, and it is not designed for collisions with other vehicles. Therefore, it is particularly important to fasten seat belts, latch side doors or side nets, and wear proper riding gear.

### **Respect Your Environment**

Off-road recreation is a privilege. Maintain your privilege by respecting the environment and the rights of others to enjoy it:

- Chasing wildlife is illegal. Wildlife can die of exhaustion if chased by a motorized vehicle.
- Never purposely damage the terrain unless the operating area is designated for that type of activity.
- Observe the rule... "what you take in, carry out". Do not litter.

## SAFE OPERATION - DRIVING SAFELY

### Practice Exercises

Before you go out for a ride, it is very important to familiarize yourself with the handling of your vehicle by practicing in a controlled environment. Find a suitable area to practice and perform the following exercises. It should be at least 147x147 ft. (45x45 m), and free of obstacles like trees and large rocks.

Remember: Avoid higher speeds until you are thoroughly familiar with the operation of your vehicle.

#### NOTE:

Do not use high gear for continuous slow speed travel or towing, as this can lead to excessive heating of the clutch system, which may damage components.

### Turning Exercise

Turning is one of the most frequent causes of accidents. It is easier for the vehicle to lose traction or rollover if you turn too sharply, or go too fast. Slow down when you approach a turn.

Practice turning:

- First, learn how to perform slight right turns at very low speeds. Release the throttle before turning and slowly reapply the throttle.
- Repeat the turning exercise, but this time maintain the throttle at the same level while turning.
- Finally, repeat the turning exercise while accelerating slowly.
- Practice exercises turning to the left.

Note how your vehicle reacts in these different exercises. CFMOTO recommends releasing the throttle before entering a turn to help initiate directional change. You will feel the lateral force increasing with the speed and with your steering input. The lateral force should be maintained as low as possible to make sure it does not cause the vehicle to roll over.

## SAFE OPERATION - DRIVING SAFELY

### U-turn Exercise

Practice doing U turns:

- Accelerate slowly and while remaining at low speed, gradually turn the steering wheel to the right until you have completed the U-turn.
- Repeat U-turn exercise with different steering inputs and always at a very low speed.
- Repeat U turn exercise to the left.

As mentioned before in this manual, do not ride on paved surfaces. The vehicle behavior will not be the same, increasing the risk of rollover.

### Braking Exercise

Practice braking to get familiar with the brake response:

- Practice braking at low speed first, then increase the speed.
- Practice braking in straight line at different speeds and different braking forces.
- Practice emergency braking. Optimal braking is obtained in straight line, with high force applied, without locking the wheels.

Remember, braking distance depends on vehicle speed, load and the type of surface. Also, the tires and brakes conditions play a major role.

## **SAFE OPERATION - DRIVING SAFELY**

### **Reverse Exercise**

Practice using the reverse:

- Place 1 cone marker on both sides of the vehicle beside each rear wheel.
- Move the vehicle forward until you can see the cone markers behind you, then stop the vehicle. Acknowledge the distance required to see obstacles behind you.
- Learn how the vehicle handles in reverse and reacts with steering inputs.
- Always perform this reverse exercise at slow speeds.

### **Emergency Engine Stopping Exercise**

Learn how to stop your engine quickly in an emergency situation:

- While running at low speed, simply turn the ignition key to the off position. This is to familiarize yourself with the vehicle's reaction when the engine is turned off while driving and to develop this reflex.



## SAFE OPERATION - DRIVING SAFELY

### Operating Your Vehicle

#### Off-road Operation

The very nature of off-road operation is dangerous. Any terrain which has not been specially prepared to carry vehicles presents an inherent danger where terrain substance, shape, and steepness are unpredictable. The terrain itself presents a continual element of danger, which must be knowingly accepted by anyone venturing over it.

An operator who takes a vehicle off-road should always exercise the utmost care in selecting the safest path and keeping close watch on the terrain ahead. This vehicle should never be operated by anyone who is not completely familiar with the driving instructions applicable to the vehicle, nor should it be operated on steep or treacherous terrain.

#### General Driving Tips

Care, caution, experience and driving skill are the best precautions against the hazards of vehicle operation. Whenever there is the slightest doubt that the vehicle can safely negotiate an obstacle or a particular piece of terrain, always choose an alternate route. In off-road operation, power and traction, not speed, are important. Never drive faster than visibility and your ability to select a safe route permit. Never operate the vehicle if the controls do not function normally. See your dealer.

#### Operating in Reverse

When operating in reverse, check that the path behind the vehicle is free of people or obstacles. Pay attention to blind spots. When it is safe to proceed in reverse, go slowly and avoid sharp turns.



**Steering inputs in reverse operation increase the risk of rollover.**

## SAFE OPERATION - DRIVING SAFELY

### WARNING

**When driving downhill in reverse, gravity can increase the vehicle speed above the set limited reverse speed. Failure to use caution when operating in reverse can result in serious injury or death.**

#### **NOTE:**

This vehicle is equipped with a vehicle speed limit function. In reverse operation, the engine RPM is limited, thus limiting the vehicle reverse speed. Do not operate at wide open throttle. Open the throttle just enough to maintain a desired speed.

#### **Crossing Paved Roads**

If you have to cross a paved road, ensure to have complete visibility on both sides for incoming traffic and decide on an exit point on other side of the road. Drive in a straight line toward that point. Do not make sharp direction changes or abrupt accelerations, as it may result in a rollover situation. Do not travel on sidewalks or bicycle trails, as they are designated specifically for those types of use.

#### **Riding on Paved Surfaces**

Avoid paved surfaces. This vehicle is not designed to operate on paved surfaces and is more likely to roll over. If you must drive on pavement, turn gradually, go slowly, and avoid abrupt acceleration and braking.

#### **Shallow Water Crossing**

Water can be a unique hazard. If it is too deep the vehicle may “float” and topple. Check the water depth and current before you attempt to cross any water. Water depth should not exceed the bottom of the floorboard to safely cross the obstacle.

## **SAFE OPERATION - DRIVING SAFELY**

Beware of slippery surfaces such as rocks, grass, logs, etc., both in the water and on its banks. A loss of traction may occur. Do not attempt to enter the water at high speed. Water will affect the braking ability of your vehicle. Make sure you dry the brakes by applying them several times while driving slowly after the vehicle leaves the water.

### **What to Do If Vehicle is Submerged**

If the vehicle becomes immersed, it will be necessary to have it transported to your dealer as soon as possible. Do not attempt to re-start the engine, as water may have been ingested inside, which can cause internal damage.

### **Riding in Mud, Ice or Snow**

When performing a pre-ride inspection, pay special attention to locations on the vehicle where mud, ice and/or snow accumulations may obstruct visibility of the tail lamps, clog ventilation openings, block the radiator and fan, and interfere with the movement of controls. Before starting with your vehicle, check the steering, throttle and brake pedals for interference-free operation.

Whenever this vehicle is driven on a snow or ice covered path, the tire grip is generally reduced, causing the vehicle to react differently to control inputs from the operator.

### **Riding on Sand**

Sand and riding on sand dunes is a unique experience, but there are some basic precautions that should be observed. Wet, deep, or fine sand may create a loss of traction and cause the vehicle to slide, drop off or become “bogged” down. If this occurs, look for a firmer base. Again, the best advice is to slow down and be watchful of the conditions.

When riding on sand dunes, it is advisable to equip the vehicle with an antenna-type safety flag. This will help make your location more visible to others over the next sand dune. Proceed carefully should you see another safety flag ahead.

## **SAFE OPERATION - DRIVING SAFELY**

### **Riding on Gravel, Loose Stones, or Other Slippery Surfaces**

Riding on gravel or loose stones is very similar to riding on ice. They affect the steering of vehicle, possibly causing it to slide and tip over especially at high speeds. In addition, braking distance may be affected. Remember that “gunning” the throttle or sliding may cause loose stones to be ejected rearwards which could hit other people.

### **Crossing Obstacles**

Obstacles on the trail should be traversed with caution. This includes rocks, fallen trees, and depressions. You should avoid them whenever possible. Remember that some obstacles are too large or dangerous to cross and should be avoided. As a guideline, never attempt to cross an obstacle higher than the ground clearance of the vehicle. Small rocks or small fallen trees may be safely crossed. Approach obstacles at low speed and to as much a right angle as possible. Adjust speed without losing momentum and do not accelerate abruptly. The passenger must grasp handhold firmly and brace feet on the floor.

### **Hill Driving Conditions**

When driving on hills or slopes, two things are highly important: be prepared for slippery surfaces or terrain variations, obstacles, and brace yourself properly inside vehicle. If you climb or descend a hill that is too slippery or has too loose a surface, you can lose control. If you go over the top of a hill at high speed, you may not have time to prepare for the terrain on the other side. Avoid parking on a slope. Always put the shift lever in PARK and activate the hand brake when stopped or parked, especially on an incline, to avoid rolling. If you must park on a steep incline, block the wheels on the downhill side using rocks or other suitable material.

## **SAFE OPERATION - DRIVING SAFELY**

### **Uphill Driving**

Use the low gear (L) for uphill driving. Due to its configuration, this vehicle has very good traction even while climbing, so much so that tip-over is possible before traction is lost. For example, it is common to encounter terrain situations where the top of the hill has eroded to a point that the hill peak rises very sharply. This vehicle is not designed to negotiate such a condition. Take an alternate route.

If you feel that the slope is getting too steep to climb, apply the brakes to immobilize the vehicle. Put the shift lever in reverse (R), and back straight down the hill, barely releasing brakes to remain at low speed. Do not attempt to turn around. Never coast downhill while the vehicle is in neutral. Do not perform hard braking, as it increases the risk of tip-over.

### **Downhill Driving**

This vehicle can climb steeper slopes than it can descend safely. Therefore, it is essential to assure that a safe route exists to descend a slope before you climb it. Decelerating while negotiating a slippery downhill slope could “toboggan” the vehicle, causing it to slide. Maintain steady speed and/or accelerate slightly to regain control. Never slam the brakes and lock the wheels.

## SAFE OPERATION - DRIVING SAFELY

### Hauling and Towing Loads

Your vehicle can help you perform a number of different light tasks ranging from snow removal, to pulling wood, or carrying cargo. This can change the vehicle handling. To prevent possible injury, follow the instructions and warnings in this manual and on the vehicle.

Always respect the load limits of the vehicle. Overloading the vehicle can over-stress the components and cause failure.


### Carrying Loads

The load limit of the vehicle including the weight of operator, passenger, cargo box load (including towing hitch weight), accessories:

UFORCE 1000: 1509 lb. (685 kg) ; UFORCE 1000 XL: 1455 lb. (660 kg)

Following is an example of suitable total vehicle load distribution:

<b>EXAMPLE OF SUITABLE VEHICLE TOTAL LOADS</b>				
<b>Model</b>	<b>Operator and Passenger</b>	<b>Cargo Box Load (Maximum Permissible Vertical Load On The Coupling Point)</b>	<b>Accessories Storage</b>	<b>Total Vehicle Load</b>
UFORCE 1000	529 lb. (240 kg)	772 lb. (350 kg) [99 lb. (45 kg)]	209 lb. (95 kg)	1509 lb. (685 kg)
UFORCE 1000 XL	529 lb. (240 kg)	772 lb. (350 kg) [99 lb. (45 kg)]	154 lb. (70 kg)	1455 lb. (660 kg)
	1058 lb. (480 kg)	352 lb. (180 kg) [99 lb. (45 kg)]	0 lb. (0 kg)	1455 lb. (660 kg)

 <b>WARNING</b>
<b>UFORCE 1000 : LOW GEAR is recommended when total payload is greater than 584 lb (265 kg).</b>
<b>UFORCE 1000 XL : LOW GEAR is recommended when total payload is greater than 860 lb (390 kg).</b>

## **SAFE OPERATION - DRIVING SAFELY**

### **Vehicle Settings When Carrying Loads**

If the total load approaches to the total rated vehicle load, including weight of operator, passenger, cargo, accessories and trailer tongue weight:

- Inflate the tires to maximum pressure.
- Readjust the suspension coil spring pre-load accordingly.
- Operate with the shift lever in L (low gear) when carrying heavy loads in the cargo box and/or pulling a trailer.

### **Load Distribution**

Your vehicle has been designed to carry or tow a certain amount of load. Always:

- Read and understand the load distribution warnings listed on the warning labels.
- Never exceed the specified weights.
- Cargo weight should be mounted as low as possible.
- When operating over rough or hilly terrain with loads or towing, reduce speed and cargo to maintain stable driving conditions.

### **Pulling or Towing**

Your vehicle is equipped with a hitch receiver and winch for towing or pulling.

### **Pulling a Load**

- Never pull a load by attaching it to the ROPS. This can cause the vehicle to tip over. Use only the trailer hitch or winch (if installed) to pull a load.
- When pulling loads with a chain or cable, ensure that there is no slack before starting and maintain tension while pulling.

## SAFE OPERATION - DRIVING SAFELY

### WARNING

**Slack can cause a chain or cable to break and snap back, possibly causing injury.**

- When pulling a load, respect the maximum hauling capacity.
- If pulling another vehicle, be sure that someone is controlling the pulled vehicle. They must brake and steer to prevent the vehicle from going out of control.
- Reduce your speed when pulling a load and turn gradually to avoid chains, straps, ropes or cables from catching on the rear wheels. Avoid hills and rough terrain. Never attempt steep hills. Allow more distance for braking, especially on inclined surfaces. Be careful not to skid or slide.
- Before pulling loads with a winch, refer to the winch operation section of this manual.

### **Towing a Load**

If a trailer is used behind the vehicle, make sure that its hitch is compatible with the one on the vehicle. Make sure the trailer is horizontal with the vehicle. Use safety chains or cables that keep the trailer secured to the vehicle in the event of a hitch failure.

Improperly loading a trailer may cause loss of control. Respect the recommended maximum hauling capacity and maximum tongue load. Make sure there is at least some weight on the tongue. Follow these guidelines for hauling and towing of cargo:

### WARNING

**Overloading the vehicle, carrying or towing cargo improperly, can alter the vehicle handling and may cause loss of control or braking instability.**




## **SAFE OPERATION - DRIVING SAFELY**


- Always use low gear while towing to avoid clutch wear and belt issues.
- Reduce speed when hauling or towing loads.
- Never exceed the stated load capacity for this vehicle.
- All loads must be secured before operation. Unsecured loads may shift and create unstable operating conditions, which could result in loss of control of the vehicle.
- When operating over rough or hilly terrain, reduce speed and cargo to maintain stable driving conditions.
- Use extreme caution when applying brakes with a loaded vehicle. Avoid terrain or situations that may require backing downhill.
- Load weight distribution should be as low as possible. Carrying a high load raises the center of gravity and creates an unstable operating condition. Reduce load weight when the cargo center of gravity is high.
- When handling off-centered loads that cannot be centered, secure the load and operate with extra caution.
- When operating with loads extending beyond the cargo area, stability and maneuverability may be adversely affected, causing the machine to overturn.
- Towing a load while carrying cargo may cause an imbalanced condition that increases the possibility of vehicle overturn. Balance loads proportionally, but do not exceed the stated load capacity.
- Always attach to the tow using the hitch point and hardware specifically made for towing. Never exceed the recommended Towing Hitch Weight.
- Using chains, straps, rope or other materials to tow objects is not recommended, as these items could get caught in the rear wheels, resulting in vehicle damage or personal injury.
- While towing, the vehicle should never exceed 10 mph (16 km/h) towing a load on a level surface. Vehicle speed should never exceed 5 mph (8 km/h) when towing loads in rough terrain, while cornering, or while ascending or descending a hill.

## SAFE OPERATION - DRIVING SAFELY

- When stopped or parked, block the vehicle and trailer wheels from possible movement.
- Use caution when disconnecting a loaded trailer; it or its load may topple on you or others.

<b>MAXIMUM HAULING CAPACITY</b>			
<b>Type of Attachment</b>	<b>Trailer Load Allowed</b>	<b>Trailer Hitch Weight Allowed</b>	<b>Note</b>
2 in. (51 mm X 51 mm) hitch ball support	2500 lb. (1134 kg)	99 lb. (45 kg)	Includes trailer and trailer load.

 <b>WARNING</b>
<p><b>When the trailer load approaches 2500 lb. (1134 kg) and the vehicle is operated on a flat surface, to ensure safety and prevent vehicle damage, the following measures should be taken:</b></p> <ul style="list-style-type: none"> <li>▪ <b>Vehicle is unloaded</b></li> <li>▪ <b>Switch to 4WD</b></li> <li>▪ <b>Reduce the speed to under 12 mph (19 km/h).</b></li> <li>▪ <b>Use low gear to increase traction and stability.</b></li> </ul>

 <b>WARNING</b>
<p><b>When the trailer load approaches 2500 lb. (1134 kg) and the vehicle is operated on a flat surface, to ensure safety and prevent vehicle damage, the following measures should be taken:</b></p> <ul style="list-style-type: none"> <li>▪ <b>Vehicle is unloaded</b></li> <li>▪ <b>Switch to 4WD</b></li> <li>▪ <b>Reduce the speed to under 12 mph (19 km/h).</b></li> <li>▪ <b>Use low gear to increase traction and stability.</b></li> </ul>

## SAFE OPERATION - DRIVING SAFELY

### Winch Operation

**(Select Markets)** Your vehicle may be equipped with a winch that can pull certain capacities and types of loads. It is useful for vehicle self-recovery when stuck, assisting another vehicle in recovery, moving fallen trees, removing brush, etc.

Consider practicing the operation and use of your winch before you actually need to use it.

The safety warnings, operating precautions and instructions in this section apply if your vehicle came equipped with a winch, or if you choose to install an accessory winch on your vehicle:

### Winch Safety Warnings

These safety warnings apply if your vehicle is equipped with a winch, or if you choose to install an accessory winch on your vehicle:

- Read and understand all sections of this manual.
- Improper winch use or failure to correctly follow the winch guidelines, instructions, and warnings in this manual can result in SEVERE INJURY or DEATH.
- Improper or lack of winch maintenance and service could lead to SEVERE INJURY or DEATH.
- Always keep body, hair, clothing, and jewelry clear of the winch cable, fairlead, and hook during winch operation.
- Always keep the area around the vehicle, winch, winch cable and load clear of people, pets, and distractions during winch operation.
- Always wear eye protection and heavy gloves during winch operation.
- Never use alcohol or drugs before or while operating the winch.
- Never allow children under 16 years of age to operate the winch.

## **SAFE OPERATION - DRIVING SAFELY**

- Never attempt to “jerk” a load attached to the winch by moving the vehicle.
- Never winch up or down, or to the sides at sharp angles. This can destabilize the winching vehicle and possibly cause it to move without warning.
- Never attempt to winch loads that weigh more than the winch capacity rating.
- Never touch, push, pull, or straddle the cable while winching a load.
- Never let the winch cable run through your hands, even if wearing heavy gloves.
- Never release the drum on the winch when the winch cable is under load.
- Never use the winch for lifting or transporting people.
- Never use the winch to hoist or suspend a vertical load.
- Never retract the hook fully into the winch. This can cause damage to system components.
- Never operate the winch or the vehicle if they are in need of repair or service.
- Always turn the ignition switch OFF and unplug the remote control (if equipped) to prevent inadvertent activation or unauthorized use when the vehicle or winch are not being used.

### **Winch Operating Precautions**

These operating precautions should always be followed if your vehicle is equipped with a winch, or if you choose to install an accessory winch on your vehicle:

- Always inspect your winch and winch cable before each use.
- Always use the provided hook strap when pulling cable out or guiding cable in. Never grab the hook.
- Always align the load directly in front of the vehicle and winch as much as possible. Avoid winching with the cable at a sharp angle to the winching vehicle’s centerline whenever possible.

## **SAFE OPERATION - DRIVING SAFELY**

- If winching at an angle is unavoidable, follow these precautions while operating:
  - A. Look at the winch drum occasionally. Never let the winch cable “stack” or accumulate at one end of the drum. Too much cable at one end of the drum can damage the winch and cable.
  - B. If cable stacking occurs, stop winching. Follow the ‘Winch Cable Spooling Guidelines’ section in this manual to redistribute the cable evenly before continuing.
- Always apply the vehicle’s park brake and/or park mechanism to hold the vehicle in place during winching. Use wheel chocks when necessary.
- Always maintain at least five full turns of cable wrapped around the winch drum at all times. The friction provided by the wrapped cable allows the drum to pull on the winch cable and move the load.
- Never grease or oil the winch cable. This will cause the winch cable to collect debris that will shorten the life of the cable.
- The winch motor and relay connector may become hot during continuous use. When winching for more than 45 seconds, or if the winch stalls during operation, stop and allow the winch components to cool for a minimum of 10 minutes before using it again.
- Never operate the winch without running the engine. The engine’s charging system helps keep the battery maintained. Battery reserve capacity can be quickly exhausted by heavy winch use, rendering the starting system inoperable.
- Always operate with concern for the environment. Do not purposely damage trees, etc.

## SAFE OPERATION - DRIVING SAFELY

### Basic Winch Operation

Follow these operating instructions if your vehicle is equipped with a winch, or if you choose to install an accessory winch on your vehicle. Read ***Winch Safety Warnings and Winch Operating Precautions*** on the preceding pages before using your winch.

BEFORE YOU BEGIN - Realize that each winching situation is unique:

- Take your time to think through the winch operation you are about to perform.
  - Proceed slowly and deliberately.
  - Never hurry or rush during winching.
  - Always pay attention to your surroundings.
  - Be prepared to change your winching strategy if it is not working.
  - Remember that although your winch is very powerful, there are simply some situations that you and the winch will not be able to deal with. Do not be afraid to ask others for help when necessary.
1. Always inspect the vehicle, winch, cable and controls for signs of damage or parts in need of repair before each use. Pay particular attention to the first 3 feet (1 meter) of winch cable if the winch is used (or has been used) for lifting a plow. Promptly replace any worn or damaged cable.
  2. Apply the vehicle's park brake and/or park mechanism to hold the vehicle in place during winching. Use wheel chocks when necessary.
  3. Release the winch drum and pull out the required length of cable. Always use the hook strap to handle the hook. Never remove the hook strap from the hook.

 <b>CAUTION</b>
--

<b>Always maintain a minimum of five (5) full turns of cable around the winch drum at all times. The friction provided by wrapping cable allows the drum to pull on the cable and move the load.</b>
--

## SAFE OPERATION - DRIVING SAFELY

### WARNING

**Never use a 'recovery strap' for winching. Recovery straps are designed to stretch and could release excessive energy that can result in SEVERE INJURY or DEATH if the strap or winch cable breaks. Use only undamaged tow straps or chains that do not stretch.**

4. Attach the hook onto the load, or use a tow strap or chain to secure the load to the winch hook. Never hook the winch cable back onto itself. This can damage the winch cable and result in cable failure.
5. Re-engage the winch drum.
6. Slowly winch in slack of the winch cable until it is gone, then stop and follow the instructions for 'winch damping' to ensure safe operation:
  - A. Place a damper on the mid-point of winch cable length to absorb energy that could be released by a winch cable failure. A damper can be a heavy jacket, tarp, or other soft, dense object. A damper can absorb much of the energy released if the cable breaks during winching. Even a tree limb can help as a damper if no other items are available to you.
  - B. Lay the damper on top of the mid-point of the winch cable length.
  - C. On a long pull, it may be necessary to stop winching so the damper can be repositioned to a new mid-point. Always release the tension on the winch cable before repositioning the damper.
  - D. Avoid being directly in line with the winch cable whenever possible. Also, never permit others to stand near or in line with the winch cable during winch operation.
7. Stop winching as soon as the job is completed or the load can be moved without the help of the winch.
8. Detach the winch hook, then rewind the cable evenly back onto the drum following the instructions in this manual.

## SAFE OPERATION - DRIVING SAFELY

### Vehicle Recovery Methods

#### Vehicle Self-Recovery:

- A. Release the winch drum and pull out the required length of cable.
- B. Whenever possible, pick an anchor point that aligns the winch cable to the vehicle's centerline as close as possible. This will help the spooling of the winch cable and reduce the load on the fairlead.
- C. Attach the winch hook to an anchor point. NOTE: If freeing a stuck vehicle by attaching to a tree, use an item such as a tow strap to avoid damaging the tree during winch operation. Sharp cables and chains can damage and even kill trees. Always respect the environment.
- D. Re-engage the winch drum.
- E. Slowly winch in any slack in the winch cable, then damper it.
- F. Shift to the lowest gear available that will propel the vehicle in the direction of winching.
- G. Carefully apply winch power and throttle together to free the vehicle.

#### CAUTION

**Using the vehicle throttle and winching at the same time has risk and is optional. Place the vehicle in neutral and use only the winch if unsure of your operating abilities.**

- H. Stop winching as soon as the stuck vehicle is able to propel itself without the help of the winch.
- I. Detach the winch hook, then rewind the cable evenly back onto the drum following the instructions in this manual.

#### CAUTION

**The ONLY time a winch-equipped vehicle should be moving and using the winch is for self-recovery. The winch-equipped vehicle should NEVER use motion to “shock-load” the winch cable in an attempt to recover a second stuck vehicle. See ‘Winch Shock Loading’ section in this manual for more information.**



## SAFE OPERATION - DRIVING SAFELY

### Recovery of Another Vehicle:

- A. Release the winch drum and pull out the necessary length of cable.
- B. Attach the winch hook to the vehicle. Whenever possible, pick an anchor point on the stuck vehicle that aligns the winch cable to the winching vehicle's centerline as close as possible. This will help the spooling of the winch cable and reduce the load on the fairlead.

 <b>CAUTION</b>
--

<b>Never attach the winch hook to a suspension component, brush guard, bumper or cargo rack. Vehicle damage may result. Always attach the hook to the strongest available portion of the vehicle frame or hitch.</b>
--

- C. Re-engage the winch drum.
- D. Slowly winch in any slack in the winch cable, then damper it.
- E. Shift to the lowest gear available on the stuck vehicle that will propel it in the direction of winching.
- F. Carefully apply winch power and the stuck vehicle's throttle together to free it.
- G. Stop winching as soon as the stuck vehicle is able to propel itself without the help of the winch.
- H. Detach the winch hook, then rewind the cable evenly back onto the drum following the instructions in this manual.

## SAFE OPERATION - DRIVING SAFELY

### Winch Cable Care

Always inspect your winch cable before each use for worn or kinked winch cable. Never use a cable that is damaged. Follow these guidelines for inspection and use:

- A winch cable made of wire rope that is kinked, deformed, or bent is permanently and severely damaged. Promptly discontinue use of a winch cable in this condition.
- A kinked winch cable made of wire rope that has been “straightened out”, even though it may look usable, has been permanently and severely damaged. It can no longer achieve its load capacity rating. Promptly discontinue use of a winch cable in this condition.
- A winch cable made of synthetic rope should be inspected for signs of fraying. Replace the cable if fraying is observed. Promptly discontinue use of a winch cable in this condition.
- Replace synthetic winch cable if fused or melted fibers are discovered. The synthetic rope will be stiff and appear smooth or glazed in the damaged section. Promptly discontinue use of a winch cable in this condition.
- Never replace a synthetic winch cable with consumer-grade polymer rope. Only use cable that is specifically designed for winch use.
- Never grease or oil a wire rope winch cable. This will cause the cable to collect debris that will shorten the life of the cable.
- Never operate the winch with a damaged hook or latch. Always replace damaged parts before using the winch.

#### **WARNING**

**Replace the winch cable and components at the first sign of damage to prevent SEVERE INJURY or DEATH in the event of failure.**

## **SAFE OPERATION - DRIVING SAFELY**

### **Winch Cable Spooling Guidelines**

After winching is complete, especially if winching at an angle, it may be necessary to respool the winch cable evenly across the drum. This reduces the chances of the winch cable “wedging” itself between lower layers of cable. You will need an assistant to perform this task:

- A. Release the winch drum.
- B. Pull out the winch cable that is wrapped unevenly onto the drum.
- C. Re-engage the winch drum.
- D. Have an assistant pull the winch cable hook strap tightly to apply about 100 lbs. (45 kg) of tension.
- E. Slowly winch the cable in while the assistant moves the end of the cable back and forth horizontally to evenly distribute it onto the drum.

## SAFE OPERATION - DRIVING SAFELY

### Winch 'Shock Loading'

Your winch (if equipped) is designed and tested to withstand the loads produced when operated from a stationary vehicle. Always remember that the winch, cable and components are NOT designed for shock loading. Follow these guidelines:

- Never attempt to “jerk” a load with the winch. For example, never take up cable slack by moving the winching vehicle in an attempt to move an object. This is a dangerous practice that generates high loads which may exceed the strength of the components. Even a slow moving vehicle can create a large shock load which can cause damage.
- Never quickly turn the winch ON and OFF repeatedly (“jogging”). This is a form of shock loading. This puts extra load on the winch components, the cable, and generates excessive heat in the motor and relay assembly.
- Never tow a vehicle or other object with your winch. Towing with a winch produces shock loading even when towing at slow speeds. Towing from the winch also positions the towing force high on the vehicle, which can cause vehicle instability and the possibility of an accident.
- Never use recovery straps with your winch. This is a form of shock loading. Recovery straps are designed to stretch and can store energy. Stored energy in the recovery strap is released if a failure occurs, making the event even more hazardous. Similarly, never use elastic “bungie” cords for winching.
- Never use the winch to tie down the vehicle to a trailer or other transporting unit. This is a form of shock loading that can cause damage to the winch components, the cable, or the transporting unit.

## MAINTENANCE

### Maintenance

Following the maintenance schedule in your owner's manual will help keep your vehicle in the safest, most reliable condition. Inspection, adjustment, and lubrication of important components are explained in the maintenance schedules

Inspect, clean, lubricate, adjust, and replace parts as necessary. When inspection reveals the need for replacement parts, always use genuine parts available from your dealer.

#### NOTE:

Periodic service and adjustments are critical. If you are not familiar with performing safe service and adjustment procedures, have a qualified dealer perform the required maintenance for you.

Pay special attention to the engine oil level during cold weather operation. A rise in engine oil level can indicate contaminants collecting in the oil sump or crankcase. Change oil immediately if the oil level begins to rise. Monitor the oil level, and if it continues to rise, discontinue use and determine the cause, or see your dealer.

### Severe Use Definition

CFMOTO defines severe vehicle use as:

- Frequent immersion in mud, water or sand
- Racing or race-style high RPM use
- Prolonged low speed, heavy load operation
- Extended engine idle
- Short trip cold weather operation
- Vehicles used in commercial operations

**For vehicles that are subjected to severe use, reduce all maintenance and service intervals by 50%.**

## MAINTENANCE

### Periodic Maintenance Schedule and Icon Key

Maintenance intervals in the following schedules are based upon average riding conditions and an average operating speed of approximately 12.4 mph (20 km/h). Vehicles subjected to severe or commercial use must be inspected and serviced more frequently.

The following icon keys are used to note special circumstances:

- ▶ = Severe Use Item. Reduce interval by 50% on vehicles subjected to severe use.
- = Have an authorized dealer perform repairs that involve this component or system.
- = Emissions related components. Have an authorized dealer perform repairs that involve this component or system.

 <b>WARNING</b>
--

Procedures marked as '■' means if repair is required, have an authorized dealer perform repairs that involve this component or system. Improperly performing the procedure could result in component failure and lead to serious injury or death.
---

## MAINTENANCE

### General Recommended Lubrication

Check all components at the intervals outlined in the Periodic Maintenance Schedule. Items not listed in the schedule should be lubricated at the general lubrication interval.

- Change lubricants more often under severe use, such as wet or dusty conditions.
- Use All-Season Grease on pivot points.
- Lubricate every 500 miles (800 km), before long periods of storage, after pressure washing, or after submerging drive system.

Item	Lubricant	Method
Engine oil	SAE 10W-40 SAE 5W-40 / SAE 15W-40 (See page 87 for oil viscosity chart)	Unscrew, clean, insert and pull out dipstick to check oil level
Transmission oil	SAE75W-90 GL-5	Unscrew, clean, insert and pull out dipstick to check oil level
Brake fluid	DOT4	Maintain level between upper and lower lines
Front gear case oil	SAE 80W-90 GL-5	Oil capacity: 8.5 oz. (250 ml)
Rear gear case oil	SAE 80W-90 GL-5	Oil capacity: 13.5 oz. (400 ml)
Suspension pivots and drive train	All-Season Grease	Grease gun - Pump grease until it begins to flow from the pivot point

## MAINTENANCE

### Pre-Ride Maintenance Checklist

Perform these inspections before operating the vehicle:

Item		Maintenance before operation			
		Hour	Calendar	Miles (km)	Remarks
■	Steering system	-	Pre-Ride	-	Visually inspect, test, or check components. Make adjustments and/or schedule repairs when required.
■	Throttle return	-	Pre-Ride	-	
	Front suspension and axles	-	Pre-Ride	-	
	Rear suspension and axles	-	Pre-Ride	-	
	Tires	-	Pre-Ride	-	
	Brake fluid level	-	Pre-Ride	-	
	Brake lever / foot brake function	-	Pre-Ride	-	
	Brake system function	-	Pre-Ride	-	
	Wheels / fasteners	-	Pre-Ride	-	
	Engine oil level	-	Pre-Ride	-	
▶	Air filter / Air box and connections	-	Pre-Ride	-	Visually inspect. Replace filter when dirty.

▶ = Severe Use Item. Reduce interval by 50% on vehicles subjected to severe use.

■ = Have an authorized dealer perform repairs that involve this component or system.

● = Emissions related components. Have an authorized dealer perform repairs that involve this component or system.



## MAINTENANCE

Item		Maintenance before operation			
		Hour	Calendar	Miles (km)	Remarks
▶	Air box sediment tube	-	Pre-Ride	-	Inspect. If deposits are visible, clean intake tubes, air box, and replace air filter.
▶	CVT sediment tube	-	Pre-Ride	-	Inspect. If deposits are visible, drain / clean the CVT or have it serviced by a dealer.
■	Headlight aim / General lighting and turn indicators (if equipped)	-	Pre-Ride	-	Inspect. Adjust or replace lights when necessary.
▶	Radiator	-	Pre-Ride	-	Inspect for mud or debris blocking airflow. Clean surfaces when necessary.

▶ = Severe Use Item. Reduce interval by 50% on vehicles subjected to severe use.

■ = Have an authorized dealer perform repairs that involve this component or system.

● = Emissions related components. Have an authorized dealer perform repairs that involve this component or system.

## MAINTENANCE

### Break-In Maintenance Checklist

Perform these maintenance items when the vehicle break-in is completed:

Item		Break-in Maintenance (Perform at the interval that arrives first)			
		Hour	Calendar	Miles (km)	Remarks
	General lubrication	20	-	200 (320)	Lubricate all grease points, pivots, cables, etc.
	Engine oil / oil filter / oil strainer	20	-	200 (320)	Change oil and filter. Clean oil strainer.
▶	Engine air filter	20	-	200 (320)	Inspect; replace if dirty; do not clean
■	Engine valve clearance	20	-	200 (320)	Check and adjust as necessary.
	Front / Rear gear case oil	20	-	200 (320)	Check level. Inspect for leaks.
	Coolant	20	-	200 (320)	Check level. Inspect for leaks.
	Transmission oil	20	-	200 (320)	Inspect level.
	Engine hoses, gaskets and seals	20	-	200 (320)	Inspect for leaks.

▶ = Severe Use Item. Reduce interval by 50% on vehicles subjected to severe use.

■ = Have an authorized dealer perform repairs that involve this component or system.

● = Emissions related components. Have an authorized dealer perform repairs that involve this component or system.

## MAINTENANCE

Item		Break-in Maintenance (Perform at the interval that arrives first)			
		Hour	Calendar	Miles (km)	Remarks
▶	Brake pads	20	-	200 (320)	Inspect pad thickness.
	Battery	20	-	200 (320)	Check terminals, clean, test battery condition if required.
■	Idle condition	20	-	200 (320)	Inspect for proper rpm. See dealer for service if out of spec or erratic.
■	Steering / Wheel Alignment	20	-	200 (320)	Inspect steering system. See dealer for service if wheel alignment is required.
▶	Foot brake / Hand brake	20	-	200 (320)	Inspect function. Adjust as necessary.
	Gear cases, CV shafts, Propshafts	20	-	200 (320)	Inspect for leaks.

▶ = Severe Use Item. Reduce interval by 50% on vehicles subjected to severe use.

■ = Have an authorized dealer perform repairs that involve this component or system.

● = Emissions related components. Have an authorized dealer perform repairs that involve this component or system.

## MAINTENANCE

### Periodic Maintenance Schedule

Perform maintenance at the interval that arrives first after the break-in period:

Item		Periodic Maintenance Intervals (Perform at the interval that arrives first)			
		Hour	Calendar	Miles (km)	Remarks
▶	Brake pads	10	Monthly	100 (160)	Inspect pad thickness.
	Battery	100	12M	1000 (1600)	Check terminals. Clean and test battery condition as necessary.
	Engine hoses, gaskets and seals	20	--	200 (320)	Inspect for leaks.
▶	Air filter	50	--	500 (800)	Always inspect pre-ride. Inspect frequently if subjected to severe use. Replace if dirty. Do not clean.
▶	CVT air intake filter screen / filter	50	-	500 (800)	Clean filter screen or filter, replace with new one if necessary.
▶	General lubrication	50	3M	500 (800)	Lubricate all fittings, pivots, cables, etc.

▶ = Severe Use Item. Reduce interval by 50% on vehicles subjected to severe use.

■ = Have an authorized dealer perform repairs that involve this component or system.

● = Emissions related components. Have an authorized dealer perform repairs that involve this component or system.

## MAINTENANCE

Item		Periodic Maintenance Intervals (Perform at the interval that arrives first)			
		Hour	Calendar	Miles (km)	Remarks
▶	Front gear case oil	100	12M	1000 (1600)	Inspect level. Change yearly if hours or distance interval is not met.
▶	Rear gear case oil	100	12M	1000 (1600)	Inspect level. Change yearly if hours or distance interval is not met..
▶	Engine oil / oil filter / oil strainer	100	12M	1000 (1600)	Inspect for color change. Change if dirty and clean strainer. Change yearly if hours or distance interval is not met.
	Cooling system	50	6M	500 (800)	Test coolant strength. Pressure test system yearly.

▶ = Severe Use Item. Reduce interval by 50% on vehicles subjected to severe use.

■ = Have an authorized dealer perform repairs that involve this component or system.

● = Emissions related components. Have an authorized dealer perform repairs that involve this component or system.

## MAINTENANCE

Item		Periodic Maintenance Intervals (Perform at the interval that arrives first)			
		Hour	Calendar	Miles (km)	Remarks
▶	Radiator	50	6M	500 (800)	Inspect; clean external surfaces. Clean more frequently if subjected to severe use.
■	Steering system	50	6M	500 (800)	Inspect. Lubricate.
▶	Front suspension	50	6M	500 (800)	Lubricate. Check fasteners.
▶	Rear suspension	50	6M	500 (800)	Lubricate. Check fasteners.
▶	Gear shift	50	1M	500 (800)	Inspect, lubricate, adjust as necessary.
▶ ■	Throttle body / throttle cable	50	6M	500 (800)	Inspect. Clean carbon deposits. Inspect cable and lubricate frequently if subjected to severe use.

▶ = Severe Use Item. Reduce interval by 50% on vehicles subjected to severe use.

■ = Have an authorized dealer perform repairs that involve this component or system.

● = Emissions related components. Have an authorized dealer perform repairs that involve this component or system.

## MAINTENANCE

Item		Periodic Maintenance Intervals (Perform at the interval that arrives first)			
		Hour	Calendar	Miles (km)	Remarks
▶ ■	CVT drive belt	100	12M	1000 (1600)	Inspect. Replace as necessary. See dealer for service.
■	CVT drive and driven pulleys	100	12M	1000 (1600)	Clean and Inspect pulleys. Replace worn parts. See dealer for service.
	Fuel filter and hoses	100	24M	2000 (3200)	Inspect routing and condition. Replace filter and high-pressure hoses every 4 years.
	Cooling hoses	100	--	1000 (1600)	Inspect routing and condition.
▶	Valve clearance	100	--	2000 (3200)	Inspect and adjust as necessary. See dealer for service.

▶ = Severe Use Item. Reduce interval by 50% on vehicles subjected to severe use.

■ = Have an authorized dealer perform repairs that involve this component or system.

● = Emissions related components. Have an authorized dealer perform repairs that involve this component or system.

## MAINTENANCE

Item		Periodic Maintenance Intervals (Perform at the interval that arrives first)			
		Hour	Calendar	Miles (km)	Remarks
●	Fuel system	100	12M	500 (800)	Inspect fuel tank, cap, fuel pump and fuel pump relay.
	Spark plug	100	24M	2000 (3200)	Inspect; Replace if worn or fouled.
■	Engine mounts	100	12M	1500 (2400)	Inspect condition.
	Exhaust pipe and spark arrestor	100	12M	500 (800)	Inspect. Clean spark arrestor.
▶	Wiring, fuses, connectors, relays, and cables	100	12M	1000 (1600)	Inspect wire routing for wear, security. Apply dielectric grease as necessary to connectors subjected to water, mud, etc.

▶ = Severe Use Item. Reduce interval by 50% on vehicles subjected to severe use.

■ = Have an authorized dealer perform repairs that involve this component or system.

● = Emissions related components. Have an authorized dealer perform repairs that involve this component or system.



## MAINTENANCE

Item		Periodic Maintenance Intervals (Perform at the interval that arrives first)			
		Hour	Calendar	Miles (km)	Remarks
▶ ■	Wheel bearings	100	12M	1500 (2400)	Inspect for noise or looseness. Replace as necessary.
▶	Safety Belts	100	12M	2000 (3200)	Visually inspect belts and test latches. Clean latch mechanism more often if used in severe conditions. Replace as necessary.
▶	Transmission oil (1000 Engine)	200	12M	2000 (3200)	Inspect level. Change yearly if hours or distance interval is not met.
	Coolant	200	24M	4000 (6400)	Change coolant every 2 years if hours or distance interval is not met.

▶ = Severe Use Item. Reduce interval by 50% on vehicles subjected to severe use.

■ = Have an authorized dealer perform repairs that involve this component or system.

● = Emissions related components. Have an authorized dealer perform repairs that involve this component or system.

## MAINTENANCE

Item		Periodic Maintenance Intervals (Perform at the interval that arrives first)			
		Hour	Calendar	Miles (km)	Remarks
▶	Brake fluid	200h	24M	1000 (1600)	Inspect fluid for color change. Change fluid every two years.
	Idle condition	--	12M	--	Inspect for proper rpm. See dealer for service if out of spec or erratic.
■	Steering / Wheel Alignment	--	12M	--	Inspect steering system. See dealer for service whenever steering parts or wheel alignment are required.
▶	Foot brake height	--	12M	--	Inspect. Replace brake pads or adjust height as required.

▶ = Severe Use Item. Reduce interval by 50% on vehicles subjected to severe use.

■ = Have an authorized dealer perform repairs that involve this component or system.

● = Emissions related components. Have an authorized dealer perform repairs that involve this component or system.

## MAINTENANCE

### Maintenance Procedures

#### Air Filter

Check and change the air filter at the intervals outlined in the Maintenance Schedule. The air filter element should be cleaned or replaced more often if the vehicle is used in extremely dusty or wet areas. Each time air filter maintenance is performed, check the air inlet of the air filter box for obstructions and debris. Check the air filter housing rubber joint to the throttle body and manifold fittings for an airtight seal. Check that all fittings are secure to avoid the possibility of unfiltered air entering the engine.

#### Air Filter Housing Inspection

There is a check hose at the bottom of the air filter housing. If dust or water can be viewed in this hose, empty the hose and clean the air filter housing thoroughly. If the vehicle was submerged, please contact your local dealer to check for water inside the engine crankcase.

**NOTE:** If a large amount of water is present in the air filter, have your dealer check for water entering the engine crankcase.

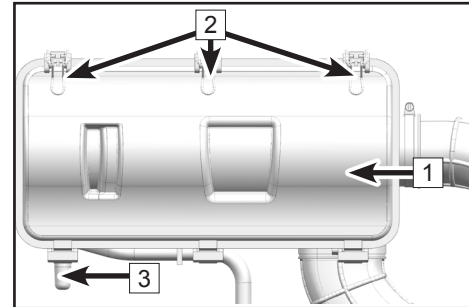
## MAINTENANCE

### Air Filter Maintenance

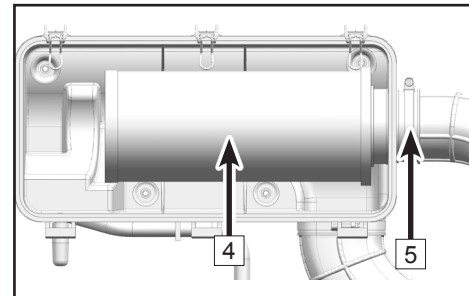
1. Place the vehicle in Park on a level surface. Lift up the rear cargo box
2. Loosen the clasp and remove the air filter cover.
3. Remove paper filter element.
4. Inspect the paper air filter and verify it is okay to reinstall. Softly brush off accumulated dust if necessary. Install a new filter as necessary.

**NOTE:** Do not wash paper air filters, or use compressed air to clean the paper filter media.

5. Apply a thin film of lubricant on the inside diameter of the air filter rubber seal.
6. Reinstall the air filter housing cover. Verify the cover is installed correctly and is sealing properly.



1	Filter Housing Cover		
2	Clasp	3	Check Hose



4	Paper Air Filter	5	Cover, Spring Clips
---	------------------	---	---------------------

## MAINTENANCE

### Drying the Air Filter Housing after Submersion

If water has been ingested into the air filter housing, Drain the air filter housing, remove the air filter, and thoroughly dry the components. Do not use compressed air on the paper air filter. Contact your dealer if vehicle performance issues exist.

#### CAUTION

**Do not operate the engine without an air filter element. Unfiltered air entering into the engine can cause engine wear and damage. Driving without an air filter will also decrease performance and can lead to engine overheating.**

#### CAUTION

**Major engine damage can result in the vehicle if water has been ingested into the air filter housing, and engine. Have the vehicle serviced by your dealer promptly if your vehicle becomes immersed or stalls in water that exceeds the footrest level. It is important to contact your dealer for service before starting the engine, as water may have been ingested in the air box and engine.**

## MAINTENANCE

### Engine Oil

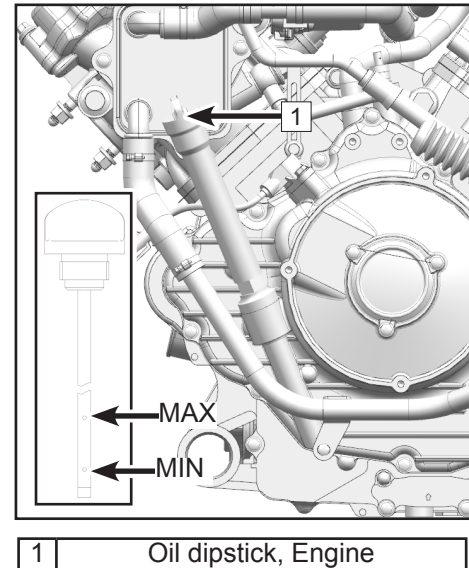
Always check and change the engine oil at the intervals outlined in the Maintenance Schedule. Change oil more frequently under severe use conditions.

### Engine Oil Level Check

1. Place the vehicle in Park on a level surface.
2. Start the engine and allow it to idle for (20~30) seconds. Stop the engine.
3. Wait for 1-2 minutes to allow the engine oil to settle in the crankcase.
4. Lift the rear cargo box to access the engine oil dipstick position.
5. Unscrew the oil dipstick, then wipe it off with a clean rag.
6. Insert the oil dipstick completely into the dipstick hole, but do not reinstall it.
7. Remove the oil dipstick and verify the oil level is between upper and lower mark. Maintain the oil level as necessary.

**NOTE:** Maintain engine oil level between the upper and lower marks.

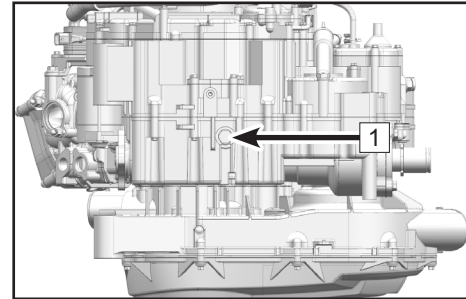
8. If the engine level is below the lower mark, add oil to proper level.
9. Insert the oil dipstick and fully tighten it.



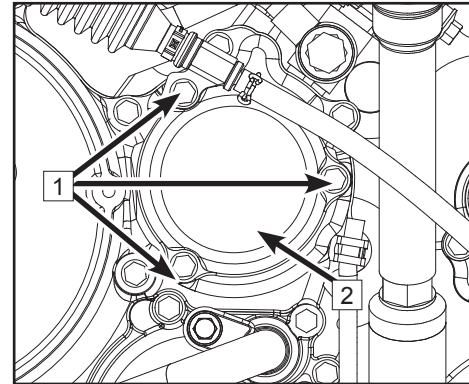
## MAINTENANCE

### Engine Oil Change

1. Place the vehicle in Park on a level surface.
2. Start the engine and allow it to warm up for 2~3 minutes, then stop the engine.
3. Place an oil pan under the crankcase drain to collect the oil.
4. Remove the dipstick and wipe it clean.
5. Remove the drain bolt and washer [1] and drain the oil from the crankcase. Confirm the oil is drained completely
6. Remove 3 oil filter cover bolts [1] , open the filter cover [2] and take out the filter.
7. Inspect the o-ring in the cover and ensure it is in good condition. Replace with a new one if damaged.
8. Mount o-ring into the oil filter cover, and apply a layer of fresh engine oil.



1	Drain bolt, Engine oil
---	------------------------



1	Engine oil bolt	2	Filter cover
---	-----------------	---	--------------

## MAINTENANCE

9. Install a new oil filter **3**.
10. Mount oil filter cover, then install and tighten the cover bolts to the specified torque.

Oil Filter Cover Bolt Torque: **7.3 ft-lb. (10N·m)**

### NOTE:

Make sure the o-ring **4** is well installed in the cover.

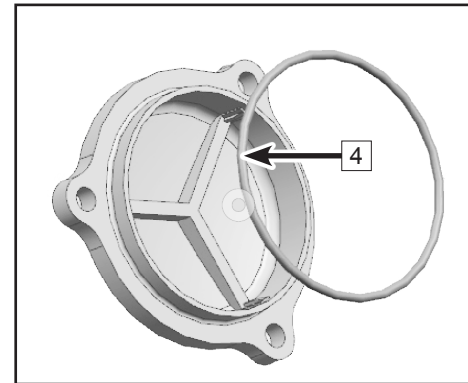
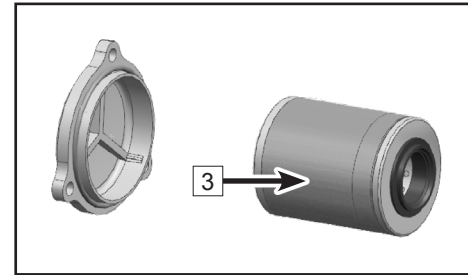
11. Use a new drain bolt washer, then install the drain bolt and tighten it to the specified torque.

Drain Bolt Torque: **22 ft-lb. (30 N·m)**

12. Add recommended oil to specified level and then screw in the oil dipstick.

Approximate Engine Oil Capacity: **2.64 qt. (2.5 L)**

13. Start the engine and allow it to warm up for a few minutes. Check for oil leaks when the engine is warm. Stop the engine immediately if oil leaks are present. Contact your dealer if leaks are found.
14. Stop the engine and check the oil level. Verify the oil level is between the upper and lower mark of the dipstick, and adjust the oil level accordingly.
15. Install and tighten the oil dipstick.
16. Dispose the used oil and filter in a proper way.



3	Oil filter	4	O-ring
---	------------	---	--------

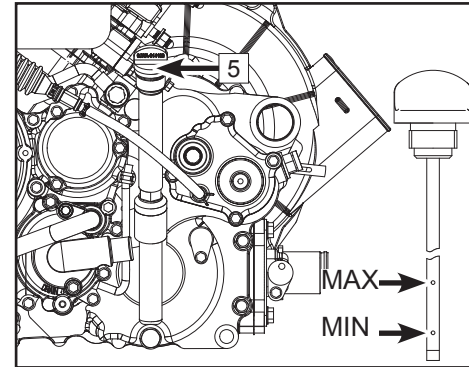
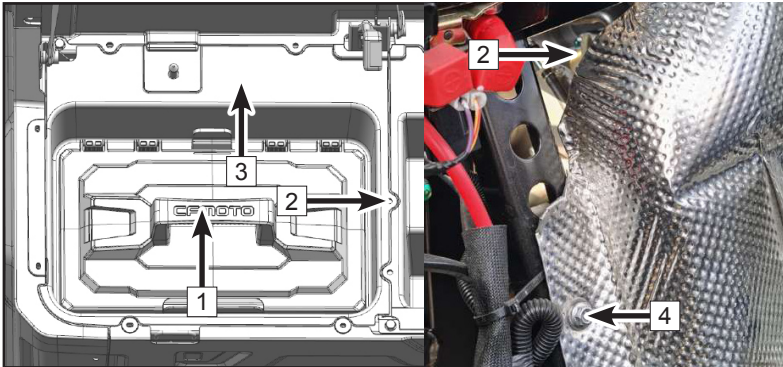


## MAINTENANCE

### Transmission Oil

#### Oil Level Check

1. Place the vehicle in Park on a level surface. If the engine was running, wait a sufficient amount of time for the transmission oil to settle and cool.
2. Remove the passenger seat and storage box **1**, remove the plastic grommet pin **2**, then remove the access panel **3** towards the driver direction.
3. Remove the bolt and washer **4**, move heat insulation plate and locate the transmission oil dipstick **5**.
4. Unscrew the transmission oil dipstick **5**, remove it, and wipe off with a clean cloth.
5. Insert the dipstick into the oil filler hole, but do not fully reinstall it.
6. Remove the dipstick and check the oil level indication. Maintain the oil level between the upper and lower indicators.
7. Reinstall the dipstick into the oil filler hole, and hand-tighten it.
8. Reinstall the access panel and return the passenger seat to its original locked position.



## MAINTENANCE

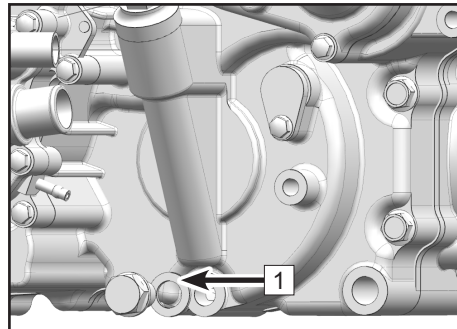
### Oil Change

1. Place the vehicle in Park on a level surface. If the engine was running, wait a sufficient amount of time for the transmission oil to settle and cool.
2. Place an oil pan under the transmission oil dipstick location to collect the used oil.
3. Remove the transmission oil dipstick.
4. Remove the oil drain bolt **1** at the bottom of the dipstick location and drain the oil.
5. Place a new sealing washer on the drain bolt, then install and torque the drain bolt to specification.

Drain Bolt Torque: **22 ft-lb. (30 N·m)**

6. Add the specified amount of recommended transmission oil at the oil dipstick location, and then reinstall the transmission oil dipstick and hand-tighten it.

Transmission Oil Type / Capacity: **SAE75W/90GL-5 / 20 oz. (0.6L)**



**1** | Drain bolt, Transmission

## MAINTENANCE

### Engine Valve Clearance Adjustment

The intake and exhaust valve clearances change with use of the vehicle, which can result in improper fuel/air supply or engine noise. To prevent this, the valve clearances must be adjusted according to the maintenance schedule. This adjustment should be performed by a professional service technician. Contact your dealer for service.

#### NOTE:

Intake valve clearance (cold engine): **0.002 ~ 0.005 in. (0.06 ~ 0.14 mm)**

Exhaust valve clearance (cold engine): **0.004 ~ 0.007 in. (0.11 ~ 0.19 mm)**

### Engine Idle Speed

This vehicle is equipped with an electronic fuel injection system. The throttle body is a vital part of the fuel system which requires very sophisticated adjustment, and was set at the factory. There are no consumer provisions to adjust engine idle speed. If the settings are disturbed, poor engine performance and damage may result. Check the engine idle speed for stability or an abnormal engine idle condition and contact your dealer for service if necessary.

## MAINTENANCE

### Front and Rear Gear Case

The front and rear gear case must be inspected for oil leaks before operating. If any leaks are found, have your dealer check and repair the vehicle.

#### Front Gear Case Oil Check

1. Place the vehicle in Park on a level surface.
2. Remove the oil fill bolt **1** and check the oil level. The level should be up to the brim of the hole. If the level is low, add sufficient oil to raise it to the specified level.
3. Install the oil fill bolt and tighten it to the specified torque.

Fill Bolt Torque: **18.4 ft-lb. (25 Nm)**

#### Front Gear Case Oil Change

1. Place the vehicle in Park on a level surface.
2. Place an oil pan under the gear case to collect the used oil.
3. Remove the drain bolt **2** at the bottom of the gear case and drain the oil.
4. Install the oil drain bolt and tighten it to the specified torque.

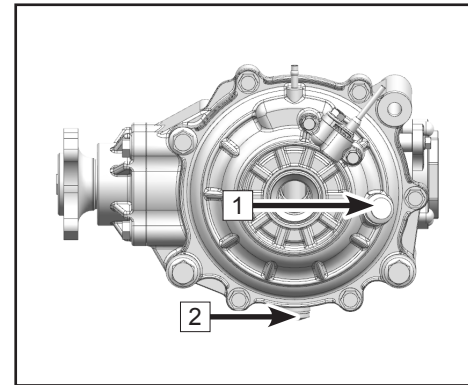
Drain Bolt Torque: **18.4 ft-lb. (25 Nm)**.

5. Remove the oil fill bolt. Add sufficient oil to raise the level up to the brim of the fill hole **1**.

Approximate Front Gear Case Oil Capacity: **8.5 oz. (250 mL)**

6. Install the oil fill bolt and tighten it to the specified torque.

Fill Bolt Torque: **18.4 ft-lb. (25 Nm)**.



**1** Fill Bolt      **2** Drain Plug

## MAINTENANCE

### Rear Gear Case Oil Check

Because of its unique design, draining and filling the rear gear case is required to produce the correct oil level. Refer to “Rear Gear Case Oil Change”

### Rear Gear Case Oil Change

1. Place the vehicle in Park on a level surface.
2. Place an oil pan under the gear case to collect the used oil.
3. Remove the oil drain bolt [2] at the bottom of the gear case and drain the oil.
4. Install the oil drain bolt and tighten it to the specified torque.

Drain Bolt Torque: **18.4 ft-lb. (25 Nm)**

5. Fill gear case oil into the filler hole [1].

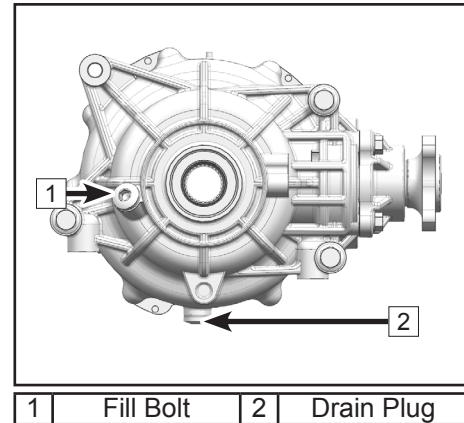
Rear Gear Case Oil Capacity: **13.5 oz. (400mL)**

6. Install the oil fill bolt and tighten it to the specified torque.

Fill Bolt Torque: **18.4 ft-lb. (25 Nm)**

### NOTE:

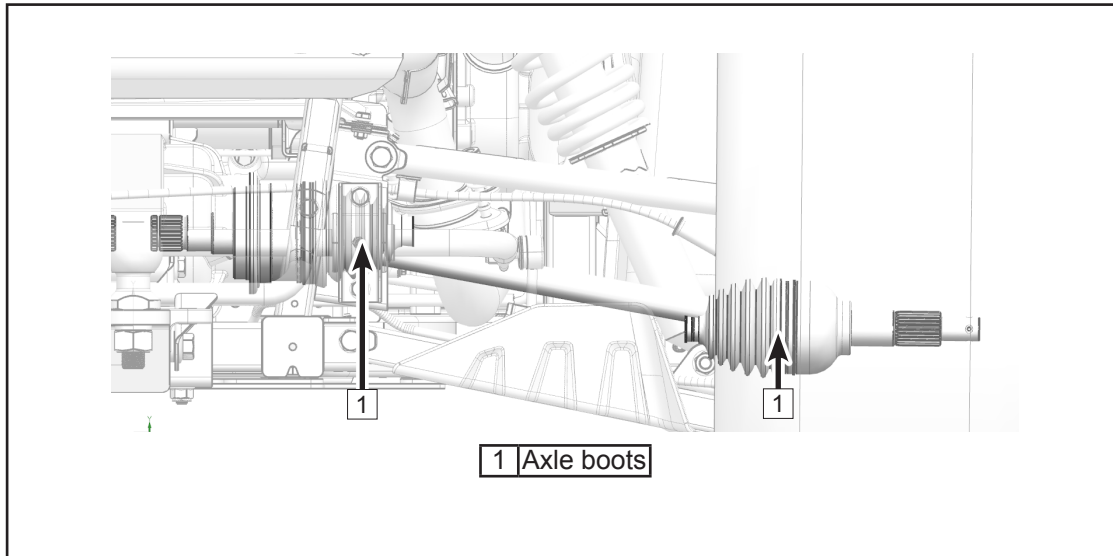
Do not add more than the recommended amount to the rear gear case. Overfilling will cause oil migration at the gear case vent tube, and appear incorrectly as an oil leak.



## MAINTENANCE

### Front and Rear CV Axle Boots

The front and rear CV axle boots **1** must be checked for holes or wear before operating. If any damage is found, have your dealer repair the vehicle.



## MAINTENANCE

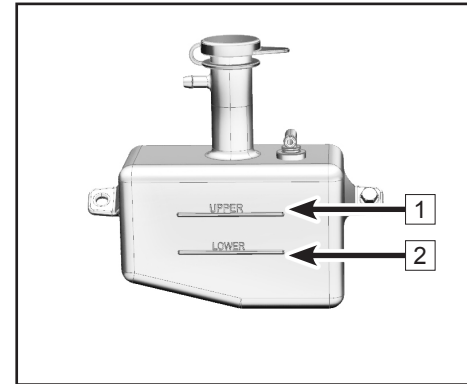
### Cooling System

#### Coolant Level Inspection

1. Place the vehicle in Park on a level surface.
2. Remove the front access cover.
3. Inspect the coolant level in the reservoir.
4. If the coolant is at or below the lower limit mark; remove the access cover and the reservoir cap. Add coolant to the upper limit mark, install the reservoir cap, and reinstall the front access cover.

#### NOTE:

Check the coolant level in the reservoir when the engine is cold, as the level will vary with engine temperature.



1	UPPER	2	LOWER
---	-------	---	-------

#### CAUTION

If water is added, contact your dealer to inspect the antifreeze content of the coolant as soon as possible.

Distilled water can be used for short time if coolant is not available, softened tap water could be the second choice. Never add hard water or salt water, as it is harmful to the cooling system.

Radiator fan operation is automatically switched on or off according to the coolant temperature during operation. Keep hands and clothing away from the fan at all times.

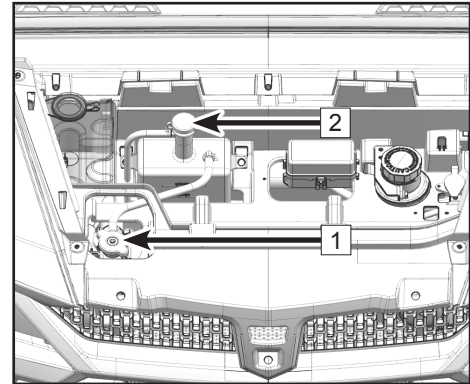
## MAINTENANCE

### Change the Coolant

#### **⚠ CAUTION**

After running the engine, never remove the radiator cap immediately. Wait for the engine to cool down before removing the radiator cap. Hot coolant can cause serious burns.

1. Place the vehicle in Park on a level surface.
2. Remove the front access cover.
3. Remove the radiator cap **1**.
4. Remove the coolant reservoir cap **2**.
5. Place a container under the engine, and then remove the coolant drain bolt and washer **3**.
6. Allow the coolant to drain completely, then reinstall the coolant drain bolt and washer at the engine water pump **3**. Do not fully tighten the drain bolt at this time. Replace the washer if it is damaged.
7. Remove the coolant reservoir hose and allow it to drain completely, then install the coolant reservoir hose.
8. Fill coolant into the radiator using the funnel supplied with the vehicle.



**1** Radiator cap    **2** Reservoir cap

#### **NOTE:**

The funnel should be cleaned of any oil or other substance that may contaminate the coolant.

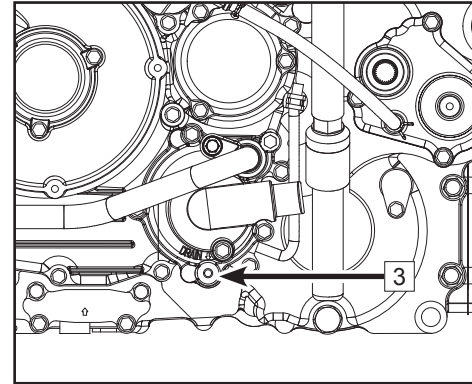


## MAINTENANCE

9. During the coolant filling process, unscrew the water pump drain bolt to release residual air inside the water pump hose until only fluid flows out, then screw back in and tighten to the specified torque.

Water Pump Drain Bolt Torque: **7.4 ft-lb. (10 N·m)**

10. Install the radiator cap.
11. Start the engine and idle for several minutes until the cooling fan turns on, then turn off the engine.
12. Check the coolant level in the radiator. Add additional coolant to the radiator if coolant level is low and install the cap.
13. Fill coolant into reservoir until the level is between the upper and lower mark and install the reservoir cap.
14. Start the engine and idle for several minutes to inspect for leaks. Contact your dealer to inspect the cooling system if any leaks are found.
15. Reinstall the front access cover.
16. Dispose the used coolant in a proper way.



3 | Drain Bolt

## MAINTENANCE

### Recommended Antifreeze:

Any high-quality ethylene glycol antifreeze containing corrosion inhibitors for aluminum engines.

CFMOTO Recommended Freeze Protection Level: -31°F (-35°C)

Antifreeze / Distilled Water Mix Ratio: **1:1**

Coolant Capacity: **UFORCE 1000- 4.44 qt. (4.2 L) / UFORCE 1000 XL- 5.07 qt. (4.8 L)**

Coolant Change: **UFORCE 1000- 4.33 qt. (4.1 L) / UFORCE 1000 XL- 4.97 qt. (4.7 L)**

Coolant Reservoir Capacity: **0.32 ~ 0.62 qt. (300 ~ 590 ml)**

**Lower Mark: 0.32 qt. (0.3L) / Upper Mark: 0.62 qt. (0.59 L)**

### Cleaning the Radiator

Clean the front and back external surfaces of the radiator if it is covered with mud or debris to ensure it continues to efficiently cool the engine. Use only low pressure water to clean the radiator. High pressure washers can damage the cooling fins. Ensure that the water can flow freely through the radiator fins. This is a sign that cooling air will be allowed to pass through.

 <b>CAUTION</b>
--

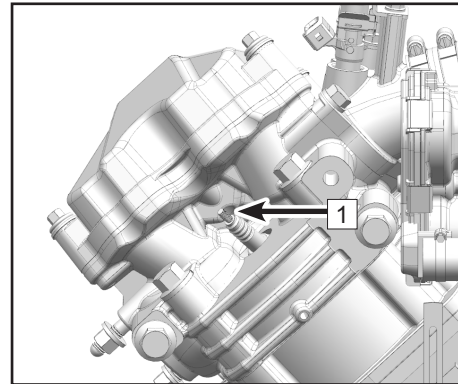
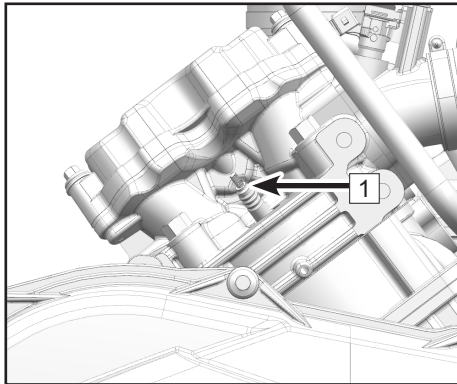
If replacing with different coolant, please contact your dealer to completely remove the residual coolant. Different coolant colors / types may lead to component failure.
--

## MAINTENANCE

### Spark Plug(s)

The spark plug **1** is an important engine component that is easy to inspect. The color and condition of the spark plug can indicate the condition of the engine. The ideal color on the insulator around the center electrode is a medium-to-light tan color for an engine that is being operated normally. If electrode erosion becomes excessive, or if carbon and other deposits are excessive, you should replace the spark plug with the specified plug.

Periodically remove and inspect the spark plug(s) for heat damage and deposits that will cause them to break down and erode. Do not attempt to diagnose spark plug color or engine problems yourself. Instead, take the vehicle to your dealer for service.



## MAINTENANCE

### Spark Plug Removal and Inspection

1. Place the vehicle in Park on a level surface. Tilt the cargo box.
2. Clean any dirt or debris from the spark plug and cylinder area.
3. Remove the spark plug cap.
4. Use the spark plug socket and wrench from the tool kit to remove the spark plug.
5. Check the spark plug gap [a] using a thickness gauge. Adjust the gap if necessary.

Specified Spark Plug: **DCPR8E (NGK)**

Spark Plug Gap: **.031 ~ .035 in. (0.8 ~ 0.9 mm)**

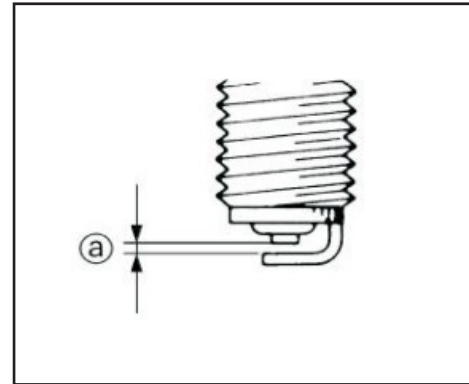
6. Clean the gasket surface. Wipe off any grime from the threads.
7. Install spark plug and tighten to specified torque.

Spark plug torque: **14.8 ft-lb. (20 N•m)**.

### NOTE:

If a torque wrench is not available to install a spark plug, a good estimation of the correct torque is to tighten the spark plug by finger first, then use a tool to tighten 1/4 to 1/2 turn.

8. Install the spark plug cap.
9. Latch the cargo box



## **MAINTENANCE**

### **Spark Plug Removal to Expel Water from the Engine**

If water has been ingested into the engine, it is important to remove the water as soon as possible by removing the spark plug(s) and using the starter system to rotate the engine for a short period to expel water out of the cylinder(s). Verify that the air box has been drained of water before attempting to expel water. Have a dealer service the engine immediately.

#### **CAUTION**

Major engine damage can result if the vehicle if water is ingested into the engine. Have the vehicle serviced by your dealer promptly if your vehicle becomes immersed or stalls in water that exceeds the footrest level. It is important to contact your dealer for service before starting the engine if water has been ingested. Water inside the engine can cause a 'hydraulic lock' effect that can damage the starter and engine components. The engine oil should be checked for water contamination. Drain and refill with new engine oil if water is found in the crankcase.

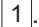
## MAINTENANCE

### Exhaust Spark Arrestor

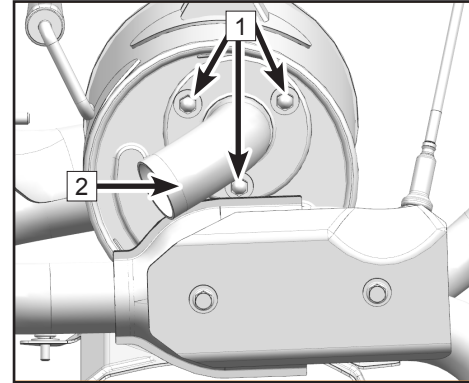
Clean carbon deposits from the spark arrestor periodically. A blocked spark arrestor will decrease engine power. After driving through or immersing in mud or water, inspect the spark arrestor and clean it if necessary.

 **CAUTION**

Ensure that the exhaust system is fully cooled before servicing the spark arrestor.

1. Place the vehicle in Park on a level surface.
2. Remove the fasteners .
3. Tap the tailpipe lightly to loosen it and remove the spark arrestor from the muffler.
4. Use a wire brush to remove any carbon deposits from the spark arrestor screen portion of the tailpipe.
5. Insert the tailpipe into the muffler and align the bolt holes.
6. Install and torque the fasteners to specification.

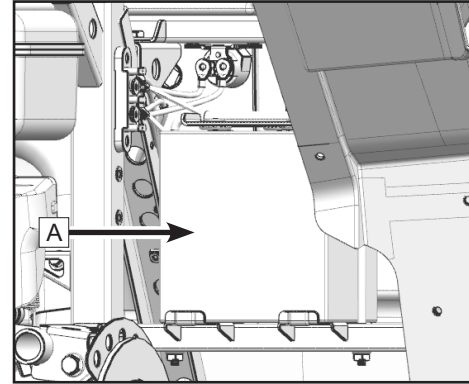
Fastener Torque: **7.3 ft-lb. (10 N•m)**



## MAINTENANCE

### Battery

This vehicle is equipped with a 12 volt/30 Amp-hour, sealed low-maintenance battery [A], which is located at the inner side of the right rear fender. Therefore, it is not necessary to check the electrolyte or add distilled water to the battery. If the battery seems to have discharged, consult your dealer. Verify that the battery connections are clean and secure during routine maintenance.



### CAUTION

Do not operate electrical system lighting or accessories for long periods without the engine running to charge the battery. The battery may discharge to a point that the starter motor will not operate properly. If this should happen, remove the battery and charge it properly.

### CAUTION

Incorrect installation or disassembly sequence for positive and negative wires may lead to a short circuit between battery and the vehicle. Use care not to create dangerous sparks or damage electrical components.

## MAINTENANCE

### Battery Maintenance Guidelines:

- A special battery charger (constant low voltage/ampere) is required for recharging low-maintenance batteries. Using a conventional battery charger may shorten the battery life.
- CFMOTO recommends for vehicles not used within 30 days (battery remains in the vehicle) to charge the battery monthly or keep the battery connected to a trickle charger (battery maintainer).
- Always make sure the cable connections are the correct polarity when reinstalling the battery. RED ('+' positive) / Black ('-' negative). Always disconnect the RED ('+' positive) cable last during removal, and reconnect it first during installation.
- Corroded battery connections can be cleaned with a mixture of baking soda and water.

**NOTE: It is recommended to charge the battery with current 10% of the battery amp-hour capacity.**

### WARNING

Avoid contact with skin, eyes or clothing, and always shield eyes when working near batteries. Keep out of reach of children. Keep batteries away from sparks, flames, cigarettes or other sources of ignition. Ventilate the area when charging or using in a closed space.

#### **Battery Acid Antidotes:**

EXTERNAL - Flush with water.

INTERNAL - Get prompt medical attention.

EYES - Flush with water for 15 minutes and get prompt medical attention.



## MAINTENANCE

### **Battery Removal**

Place the vehicle in Park on a level surface.

Turn the key to the OFF position, and make sure of power off condition for the entire vehicle.

Lift up the rear cargo box.

Remove the black negative wire ( - ).

Remove the red positive wire ( + ).

Remove the battery retainer.

Take out the battery.

### **Battery Maintenance**

Apply a mixture of baking soda and water with a soft brush to clean the battery top and terminals.

Clean away dirt and any corrosion on positive and negative wire terminals with a stiff brush.

Use the required battery charger (constant low voltage / ampere) to recharge a low-maintenance battery.

Using a conventional battery charger may damage the battery.

### **Battery Installation**

Place vehicle on level ground with the transmission in park.

Turn off the stop switch, turn the key to the OFF position, make sure the ignition system is in power off condition for the vehicle.

Put the battery in place.

Install the battery retainer.

Install the red positive wire ( + ).

Install the black negative wire ( - ).

## MAINTENANCE

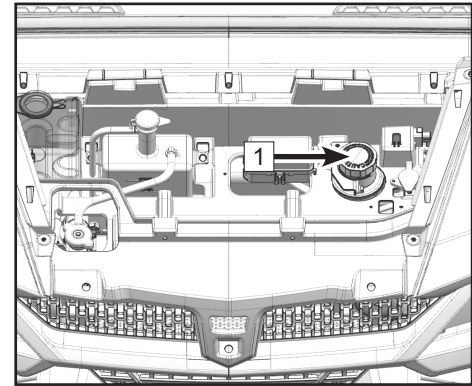
### Brakes

#### Brake Fluid Level Inspection

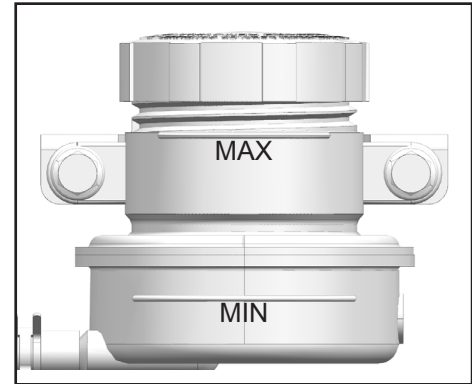
Before riding, check that the brake fluid level is above the low mark and replenish whenever necessary. Brake fluid reservoir is located under the hood. Insufficient brake fluid may let air enter the brake system, possibly causing the brakes to become ineffective.

Observe these precautions:

- When checking the fluid level, make sure the vehicle is on a level surface.
- As the brake pads wear, it is normal for the brake fluid level to gradually go down. A low brake fluid level may indicate worn brake pads or brake system leakage. Therefore, be sure to check the brake pads for wear before checking the brake system for leakage.
- Insufficient brake fluid may let air enter the brake system, possibly causing the brakes to become ineffective.
- Recommended Brake Fluid Type: **DOT 4**
- Use only the designated type brake fluid. Otherwise, the rubber seals may deteriorate, causing leaks and poor brake performance. Mixing fluid types may result in a harmful chemical reaction which could lead to poor brake performance or failure.
- Do not let water enter the the master cylinder reservoir. Water will significantly lower the boiling point of the fluid and lead to poor brake performance.



1 Brake fluid reservoir



## MAINTENANCE

- Brake fluid may deteriorate painted surfaces or plastic parts. Always clean up spilled fluid immediately.
- Have your dealer inspect the system if the brake fluid level goes down unexpectedly.

### Brake Pad Inspection

Inspect the front and rear brake pads and discs for damage and wear. If the pad thickness **A** is less than .059 in. (1.5mm) or the disc thickness **B** is less than .157 in. (4.0mm), have your dealer replace them. Replacement of brake components requires professional knowledge. These procedures should be performed by your dealer.

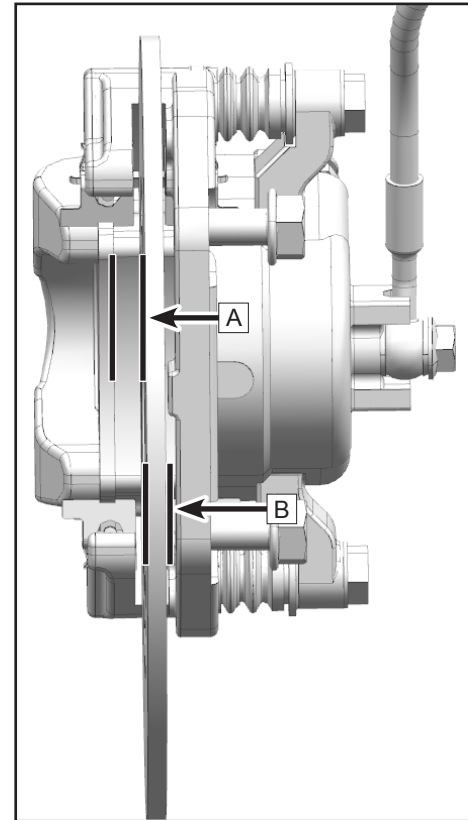
### NOTE:

Wheels must be removed to check brake pads.

### CAUTION

#### After Servicing:

- Make sure the brakes operate smoothly and that the lever free play is correct.
- Make sure the brakes do not drag and the brake operation is not spongy.
- Make sure all air is bled from the brake system.



## MAINTENANCE

### Brake Fluid Change

Complete brake system fluid replacement should be performed only by trained service personnel. Have your dealer replace the following components during periodic maintenance, or when they are damaged or leaking:

- Replace the brake hoses every four (4) years.

 <b>WARNING</b>
--

An over-full master cylinder may cause brake drag or brake lockup, which could result in an accident causing serious injury or death. Maintain brake fluid at the recommended level. Do not overfill.
---

 <b>WARNING</b>
--

Never store or use a partial bottle of brake fluid. Brake fluid is hygroscopic, meaning it rapidly absorbs moisture from the air. The moisture causes the drop of boiling temperature of the brake fluid, which can lead to early brake fade and the possibility of accident or severe injury. After opening a bottle of brake fluid, always discard any unused portion.
--

### Brake Light Switch Operation

The brake light switch is activated by foot brake pedal pressure, and is properly working when the brake light comes on just as braking takes effect. Check that the switch assembly or the electrical circuit is working properly in case of brake light failure.

## MAINTENANCE

### Suspension

Some front suspension components of the vehicle do not require maintenance or lubrication. Ensure these components are cleaned regularly, and are not loose or damaged before operating the vehicle.

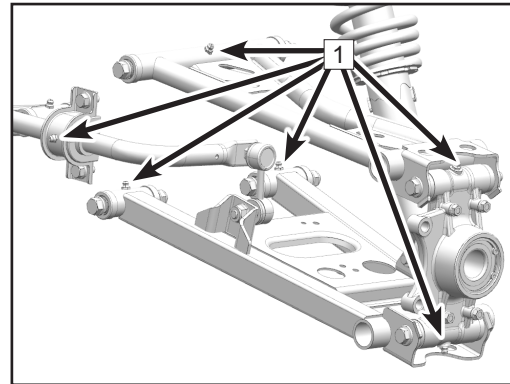
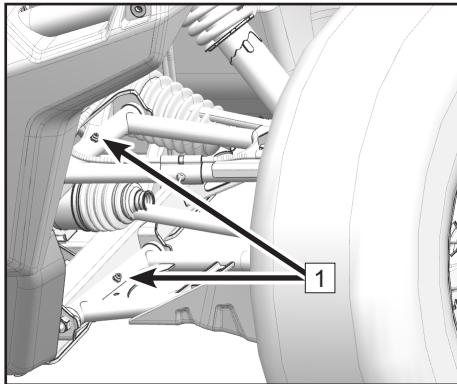
### Suspension Lubrication

Lubricate the front and rear swing arm bushings, and rear stabilizer bar.

There are 4 grease nipples on front swing arms, 5 grease nipples on the rear swing arms, and 2 grease nipples on the rear stabilizer bar. They are symmetrical left and right.

- Add grease into each grease nipple **1** with a grease gun until it begins to flow from bushing.

Recommended Lubricant: **All-Season Grease**



## MAINTENANCE

### Shock Preload Adjustment

Proper shock spring preload setting is a personal preference, and changes with rider weight, riding style and terrain.

When riding in rough terrain conditions, towing, or carrying the maximum weight of people and cargo, increase the spring preload to get firmer riding. Decrease the spring preload as necessary for rough or soft terrain to get smoother riding.

#### NOTE:

Elevate the vehicle with the tires off the ground to assist with adjustments.

#### To increase spring preload:

Turn adjuster **1** in direction **a** with special tool **2** from the kit.

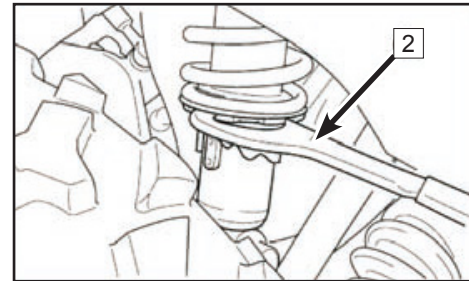
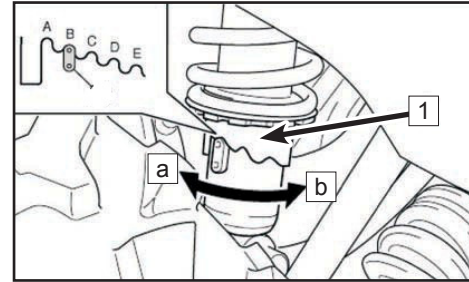
#### To decrease spring preload:

Turn adjuster **1** in direction **b** with special tool **2** from the kit.

#### NOTE:

A special collar wrench **2** is included in the tool kit for adjusting shock spring preload. If a tool is not included, please contact your dealer to make adjustments.

Ensure left and right preload settings the same.



Standard Preload Position: **B**

A: Minimum (Soft)

E: Maximum (Hard)

## MAINTENANCE

### Wheels

#### Tire Pressure

Before operating the vehicle, inspect the tire pressure:

UFORCE 1000:

Front: **10 PSI (70 kPa)**

Rear: **14 PSI (100 kPa)**

UFORCE 1000 XL:

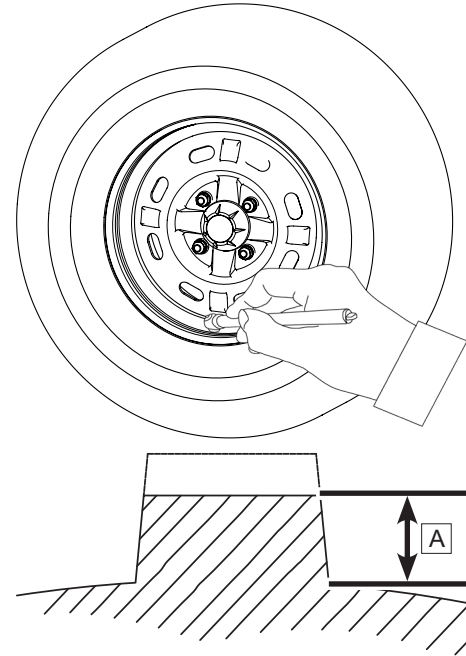
Front: **14 PSI (100 kPa)**

Rear: **17 PSI (120 kPa)**

#### Tread Depth

Inspect the tread depth regularly and replace the tires if the minimum tread depth is less than the specification:

Minimum Tread Depth: **3/32 in. (3.0mm)**



#### Wheel Bearings

- Lift the vehicle and support it securely under the frame with the tires off the ground.
- Push and pull the wheels at the outer edges to feel for side play or looseness. See your dealer if there is any side play or looseness.

## MAINTENANCE

### Wheel Replacement

#### Removal

- Place the vehicle in Park on a level surface.
- Loosen the wheel fasteners.
- Elevate the vehicle and place a suitable support stand under the frame.
- Remove the fasteners from the wheel.
- Remove the wheel.

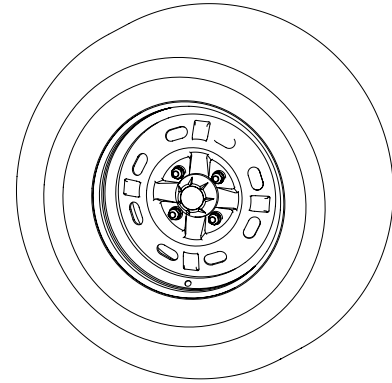
#### Installation

- Ensure vehicle is in park.
- Install the wheel.
- Install the wheel fasteners hand tight.
- Elevate the vehicle, remove the support stand under the frame, and lower the vehicle to the ground.
- Torque the wheel fasteners to specification.

Wheel Nut Torque: **81 ~ 88 ft-lb. (110 ~ 120 N•m)**

#### NOTE:

If aluminum wheels are used with tapered fasteners, install the fastener with the tapered side facing the wheel.






# MAINTENANCE

## Electrical

### Fuse / Relay Box


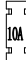

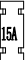


The fuse / relay box is located under the front hood. If a fuse is blown, turn off the main switch and install a new fuse of the same amperage, then turn on the main switch. If fuse blows again immediately, contact your dealer.

Electronic relays mounted in the box operate various system functions of the vehicle. If a relay fails to operate, or replacement / diagnostic of a relay is required, please contact your dealer.

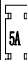




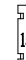
 **CAUTION**

**To prevent an accidental short-circuit, turn off the main switch before checking or replacing fuses. Always use a fuse with the correct specified rating. Never use conductive material in place of the proper fuse. Using an improper fuse can cause damage to the electrical system and may lead to a fire.**

### UFORCE 1000

MAIN RELAY	AUXILIARY START RELAY	LOW BEAM RELAY	HIGH BEAM RELAY	FAN RELAY	FUEL PUMP RELAY	2-4 RELAY
						4-4 RELAY
FUEL PUMP 10A	SIGNAL CONTROL 15A	BACKUP 15A	IGNITION 5A	EXTEND 15A	FRONT LEFT 15A	REVERSE RELAY
HEADLIGHT 15A	BCU 5A	FAN 15A	MAIN RELAY 10A	KL15 15A	FRONT RIGHT 15A	

### UFORCE 1000 XL

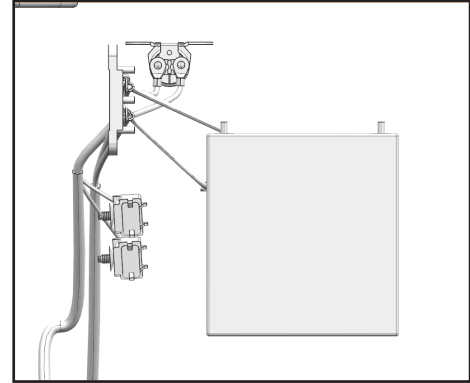
MAIN RELAY	AUXILIARY START RELAY	REVERSE RELAY	FUEL PUMP RELAY	FAN RELAY	EXTEND 15A	2-4 RELAY
						4-4 RELAY
SIGNAL A 15A	SIGNAL B 10A	BACKUP 15A	FRONT LEFT 15A	FRONT RIGHT 15A	LEFT AFTER 15A	
LAMP 15A	EFI 15A	FAN 15A	IGNITION 5A	RIGHT AFTER 15A	KL15 15A	

## MAINTENANCE

### Main Fuse and EPS Fuse

A 40 Amp main fuse and a 40 Amp EPS fuse are located to the left of the battery.

If the fuse is blown, turn off the main switch and install a new fuse of the specified amperage. Turn on the main switch. If the fuse immediately blows again, contact your dealer.



## MAINTENANCE

### Head Light Adjustment

To adjust the head lights:

Adjust the adjustment screw **1** to adjust the high beam direction vertically.

Adjust the adjustment screw **2** to adjust low beam direction vertically.

**⚠ WARNING**

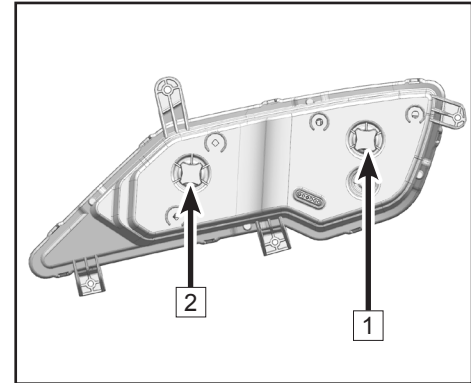
**It is advisable to have your dealer perform headlight adjustments. Improper adjustment could lead to an accident resulting in serious injury or death.**

### Tail/Brake, Position, and Turn Signal Lamps

Brake/tail lights, front position lights, and turn signals (if equipped) are LED type.

#### NOTE:

The headlight and taillight assemblies are an LED structure which cannot be repaired if damaged or failed. Have your dealer replace the entire assembly if an LED is damaged or has failed.



## MAINTENANCE

### Safety Belts

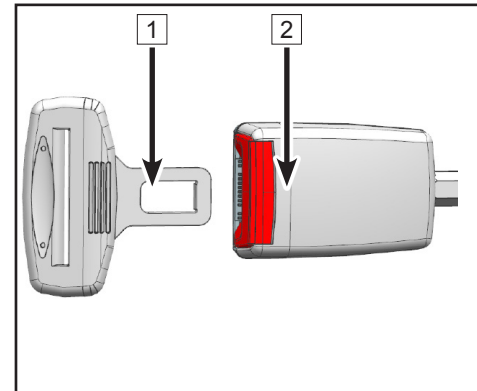
This vehicle is equipped with three-point safety belts for the driver and passengers. Please make sure all safety belts are fastened safely before operating the vehicle.

**⚠ WARNING**

Falling from a moving vehicle will lead to serious injury or death. Always fasten the seat belts before operating or driving the vehicle.

Follow these steps to fasten the safety belts:

- For three-point safety belt, pull down the belt lock plate **1** across the shoulder, chest and hip without any twist.
- Insert lock plate **1** into the latch **2** until it sounds a click.
- Loosen a little of the safety belt and allow it to self-tension automatically.
- Press the red button to open the safety belt latch.



## MAINTENANCE

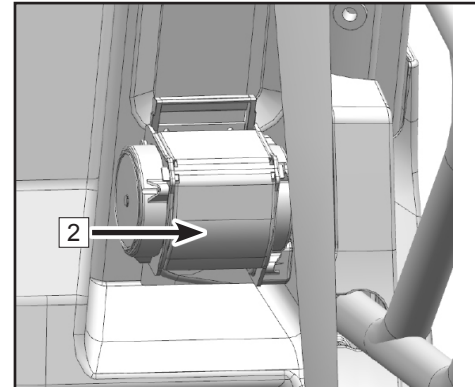
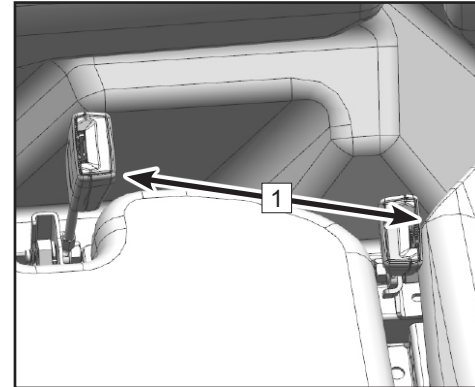
Regularly inspect all seat belts for normal function before every operation of the vehicle:

1. Insert the lock plate into the latch until it sounds a click. The click sound means it is fastened safely. Verify the lock plate can be inserted smoothly.
2. Press the red button to unlock the latch. Make sure the safety belt can be unlocked smoothly.
3. Pull out the entire length of the safety belts and inspect them damage, including cuts, wear or stiffening. If damage is found or the mechanisms do not work normally, please contact an authorized CFMOTO dealer to have a qualified technician inspect or replace the safety belt system.

### Safety Belt Maintenance

Clean mud and dirt from the safety belt, then wash the whole length of the belt with soft soapy water and allow it to dry. Never use bleach or harsh household detergent on the belt.

Flush the latch **1** and retractor **2** mechanisms regularly with clean water. Allow them to dry and test them before operating the vehicle.



## MAINTENANCE

### Fuel Evaporation System (EVAP - If equipped)

Depending on market requirements for certain areas, your vehicle is equipped with a fuel evaporation system (EVAP) that prevents fuel vapors from entering the atmosphere from the fuel tank and fuel system. Never modify any part of this system, which will violate fuel evaporation emission regulations.

During routine maintenance, visually inspect all connections for leaks and blockage, and inspect the hoses for kinks or damage.

No other maintenance is necessary. Contact your dealer if repair is required.

**NOTE: Information applies only to vehicles equipped with a fuel evaporation system.**

 <b>WARNING</b>
--

If your vehicle becomes immersed, major engine damage can result if the machine is not thoroughly inspected. Water can be ingested through the EVAP system. Take the vehicle to your dealer before starting the engine. For example, if the engine is not properly handled after immersion, starting will damage the engine.
--

## CLEANING AND STORAGE

### Cleaning and Storage

#### Washing the Vehicle

Keeping your vehicle clean will not only improve its appearance, but it can also extend the life of various components. With a few precautions, your vehicle can be cleaned much like an automobile:

- The best and safest way to clean your vehicle is with a garden hose and a pail of mild soap and water. Harsh detergents may deteriorate rubber components.
- Use a professional type washing mitt, cleaning the upper body first and the lower parts last.
- Pay special attention that the cooling system radiator and axle boots are thoroughly cleaned of all dirt and debris.
- Rinse with water frequently and dry the vehicle with a chamois to prevent water spots.
- Lubricate all pivot points immediately after washing.
- Allow the engine to run for a while to evaporate any water that may have entered the engine air intake or exhaust system.

CFMOTO does not recommend the use of a high pressure type car wash system for washing your vehicle, as water can be forced past seals and damage decals. If a high pressure system is used, exercise extreme care to avoid water damage to the decals, wheel bearings, transmission seals, body panels, brakes, warning labels, air filter intake system and electrical system. Ensure water is not allowed to enter into the air filter or CVT housing. If warning and safety labels are damaged, contact your dealer to purchase a replacement.

## CLEANING AND STORAGE

### Waxing the Vehicle

Your vehicle can be waxed with any non-abrasive automotive paste wax. Avoid the use of harsh cleaners since they can scratch the body finish.

<b>CAUTION</b>
----------------

<b>Certain products, including insect repellants and other chemicals, will damage plastic surfaces. Use caution when using these products near plastic surfaces.</b>
--

### Perform Repairs

Make necessary repairs to your vehicle before storing to prevent further damage the next time you operate it.

### Check the Tires

Inspect the tire treads and overall condition. Set the tires to the specified air pressure.

### Oil and Filter

Warm the engine, then stop the engine and change the oil and filter.

### Air filter/ Air box

Inspect and clean or replace air filter. Clean the air box and the sediment tube.



## CLEANING AND STORAGE

### Check Fluid Levels

Inspect the following fluid levels and change if necessary:

- Front gear case
- Rear gear case
- Brake fluid (change every two years or as required if fluid looks dark or contaminated)
- Coolant (change every two years or as required if coolant looks contaminated)
- Fuel Level (add fuel stabilizer according to the product label directions)

### Stabilize the Fuel

Fill the fuel tank with fresh fuel that has been treated with fuel stabilizer according to the product label directions. Do not allow untreated fuel to remain in the tank longer than 30 days, as the fuel begins to degrade and can cause damage to the fuel system components.

### Battery Storage

- Remove the battery from the vehicle and ensure that it is fully charged before placing it in storage. Protect the battery from freezing temperatures, which can damage the battery.

### Lubricate

Inspect all cables and lubricate with cable lubricant according to the product label directions. Grease the vehicle lubricating points with all season grease.

## CLEANING AND STORAGE

### 'Fog' the Engine

- Tilt the cargo box to access the spark plug(s).
- Remove the spark plug(s), rotate the piston to the bottom of its stroke, and pour approximately 2.0 oz. (15mL~20mL) of engine oil into the opening.

#### **NOTE:**

Do this carefully! If you miss the spark plug hole, oil will drain from the spark plug cavity, and appear to be an oil leak. To access the spark plug hole, use a section of clean hose and a small plastic squeeze bottle filled with the pre-measured amount of oil.

- Reinstall the spark plug(s). Torque the spark plug to specification.
- Turn engine over several times slowly. Oil will be forced in and around the piston, piston rings and the cylinder will be coated with a protective film of fresh oil.
- Reinstall the spark plug(s), cap(s), and any access coverings.

#### **NOTE:**

Starting the engine during the storage period will disturb the protective film created by fogging. Corrosion could occur. Never start the engine during the storage period.

### Storage Area And Covering

Support the vehicle with stands under the frame with the tires 30mm~40mm (1/2in) off the ground. Be sure the storage area is well ventilated, and cover the machine with an approved cover.

#### **NOTE:**

Do not use covers made of plastic or coated materials. They do not allow enough ventilation to prevent condensation, and may promote corrosion and oxidation.

## CLEANING AND STORAGE

If an engine fogging procedure is not performed, it is recommended to warm up the engine every 3 months and idle for 5 to 10 minutes so that the engine can be fully lubricated.

Vehicles that have been disabled for a long time should avoid pulling or high speeds immediately after starting, which will cause excessive engine wear and affect the engine life.

## Transporting the Vehicle

Follow these procedures when transporting the vehicle:

- Turn off the engine and remove the key to prevent loss during transporting.
- Ensure the fuel cap is installed correctly and secure.
- Ensure the seat is installed correctly and secure.
- Place the transmission gear selector into any position except the parking position, and block the front and rear wheels to prevent the vehicle from moving.
- Secure the front and rear of the vehicle frame to the transport to prevent the vehicle from sliding or moving.

 <b>CAUTION</b>
Never transport with the gear selector in Park position. Transmission damage will result.
Never use the winch as a securing device for transport. Damage to the winch will result.

## VEHICLE ISSUE DIAGNOSIS

### Vehicle Issue Diagnosis

This section is intended to guide an average owner to simple items that could cause operating problems. Diagnosis of vehicle issues may require the experience of a dealership technician. Please contact your dealer if a solution is not apparent.

### Engine Troubleshooting

#### Engine Does Not Turn Over

Possible Cause	Solution
Blown fuse	Reset or replace the fuse
Low battery voltage	Recharge battery to 12.8 Vdc – Confirm battery state of health
Loose battery connections	Check all connections and tighten if necessary
Loose starter system electrical connections	Check all connections and tighten if necessary
Engine stop switch	Check function
Start circuit not complete – transmission in gear	Press foot brake or shift transmission to neutral or parking position.

#### Engine Pings or Knocks

Possible Cause	Solution
Poor quality or low octane fuel	Replace with minimum 89 octane unleaded fuel
Incorrect ignition timing.	See your dealer
Incorrect spark plug gap or heat range	Set spark plug gap to specs or replace plugs

## VEHICLE ISSUE DIAGNOSIS

### Engine Stops Or Loses Power

Possible Cause	Solution
Overheated engine	Clean radiator screen and external core; clean engine exterior; See your dealer
Out of fuel	Refuel with minimum 89 octane unleaded fuel
Kinked or plugged fuel tank vent line	Inspect and replace; See your dealer
Water present in fuel	Replace with new fuel
Fouled or defective spark plugs	Inspect and clean or replace spark plug
Worn or defective spark plug wires	See your dealer
Incorrect spark plug gap or heat range	Set gap to specs or replace plug
Loose ignition connections	Check all connections and tighten
Low battery voltage	Recharge battery to 12.8 Vdc; check charging system – Confirm battery health
Clogged air filter	Inspect and replace as necessary
Reverse speed limiter malfunction	See your dealer
Electronic throttle control malfunction	See your dealer
Other mechanical failure	See your dealer

## VEHICLE ISSUE DIAGNOSIS

### Engine Turns Over, Fails To Start

Possible Cause	Solution
Clogged air filter	Inspect and replace as necessary; Inspect spark plugs
Clogged fuel filter	Inspect and replace as necessary
Clogged fuel injector	See your dealer
Kinked or plugged fuel tank vent	Inspect and repair as necessary
No spark to spark plug	Inspect spark plugs, verify stop switch is on
Fouled or defective spark plugs	Inspect spark plugs, replace if necessary
Worn or defective spark plug wires	See your dealer
Incorrect spark plug gap or heat range	Set gap to specs or replace plugs
Loose or corroded electrical connections	Check all connections and tighten
Low battery voltage	Recharge battery to 12.8 Vdc – Confirm battery health
Old or incorrect fuel	Replace with 89 minimum octane unleaded fuel
Low or contaminated fuel	Add or change fuel, clean the fuel system
Low octane fuel	Replace with minimum 89 octane unleaded fuel
Crankcase filled with water or fuel	Immediately see your dealer
Water present in fuel	Replace with 89 minimum octane unleaded fuel
Possible Lean or Rich fuel mixture	See your dealer
Fuel is very high octane	Replace with minimum 89 octane unleaded fuel
Fuel pump is inoperative	Inspect pump and fuse; Replace as necessary
Engine turns over, Fails to start	Refuel

## VEHICLE ISSUE DIAGNOSIS

Possible Cause	Solution
Reverse speed limiter malfunction	See your dealer
Electronic throttle control malfunction	See your dealer
Other mechanical failure	See your dealer

### Engine Backfires

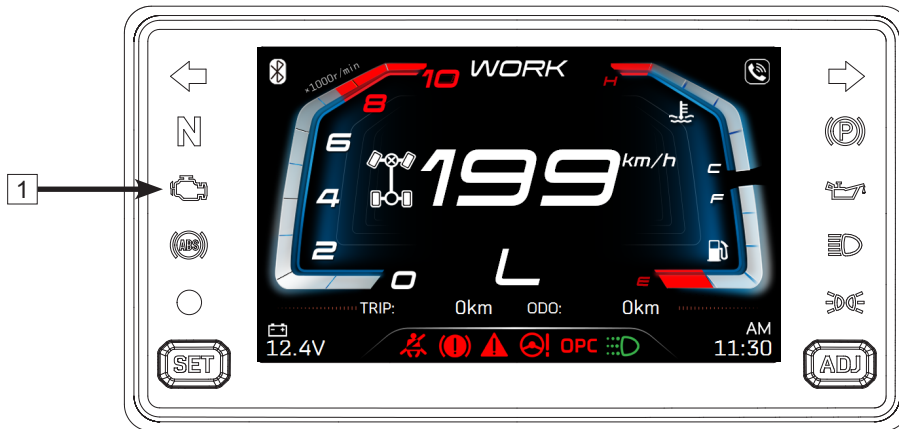
Possible Cause	Solution
Weak spark from spark plugs	Inspect and replace spark plugs as necessary
Incorrect spark plug gap or heat range	Set gap to specs or replace plugs
Old or non-recommended fuel	Replace with minimum 89 octane unleaded fuel
Incorrectly installed spark plug wires	See your dealer
Incorrect ignition timing	See your dealer
Mechanical failure	See your dealer
Speed limiter malfunction	See your dealer

## VEHICLE ISSUE DIAGNOSIS

### EFI Malfunction Indicator Light

The Electronic Fuel Injection system on your vehicle contains a self-diagnostic feature that will illuminate the malfunction indicator light (MIL) if it detects a problem. When this indicator flashes, please contact your dealer. During normal operation, the EFI indicator will be off.

Any fault detected will display on the dashboard directly. Record the fault code and contact your dealer for diagnosing. Your dealer has the EFI tool required to diagnose, repair and clear fault codes.



1 | EFI Indicator

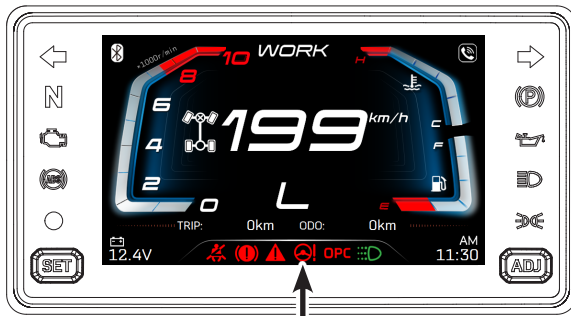


## VEHICLE ISSUE DIAGNOSIS

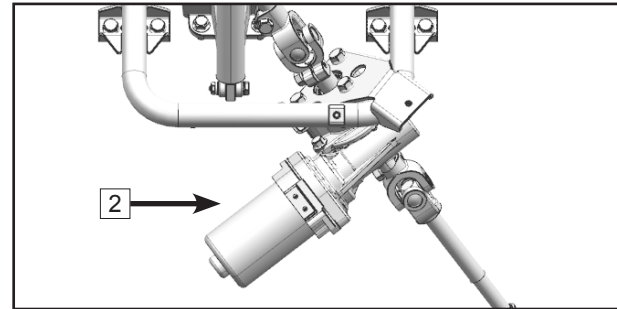
### EPS Malfunction Indicator Light

The Electronic Power Steering system on your vehicle contains a self-diagnostic feature that will illuminate the malfunction indicator light (MIL) if it detects a problem. When this indicator flashes, please contact your dealer. During normal operation, the EPS indicator will be on after the ignition switch is turned to ON, but EPS will not work. When the engine is started, the EPS indicator will be off and the EPS starts to function.

Any fault detected will display on the dashboard directly. Record the fault code and contact your dealer for diagnosing. Your dealer has the EPS tool required to diagnose, repair and clear fault codes.



1 EPS Indicator



2 EPS Assembly

## VEHICLE ISSUE DIAGNOSIS

### Electronic Power Steering (EPS) Fault Diagnosis and Solution

Steering without assistance	<ol style="list-style-type: none"> <li>1. Wire connectors have bad contact or are disconnected</li> <li>2. The fuse is blown</li> <li>3. Relay damage</li> <li>4. The controller, motor, or sensor is damaged</li> </ol>	<ol style="list-style-type: none"> <li>1. Check whether wire connectors and pins are fully inserted</li> <li>2. Replace the fuse (40A)</li> <li>3. Contact your dealer</li> <li>4. Contact your dealer</li> </ol>
Power assist doesn't weigh the same for left and right	<ol style="list-style-type: none"> <li>1. The median output voltage has deviation</li> <li>2. Controller, motor or sensor is damaged</li> </ol>	<ol style="list-style-type: none"> <li>1. Contact your dealer</li> <li>2. Contact your dealer</li> </ol>
When system is 'ON', the steering swings to both sides	<ol style="list-style-type: none"> <li>1. Motor is mounted backwards</li> <li>2. Controller or sensor is damaged</li> </ol>	<ol style="list-style-type: none"> <li>1. Contact your dealer</li> <li>2. Contact your dealer</li> </ol>
Steering becomes heavy	<ol style="list-style-type: none"> <li>1. Battery has power loss</li> <li>2. Air pressure of the tires (front) is insufficient</li> <li>3. Motor damage (power reduction)</li> </ol>	<ol style="list-style-type: none"> <li>1. Charge the battery</li> <li>2. Inflate the tires</li> <li>3. Contact your dealer</li> </ol>
System has noise	<ol style="list-style-type: none"> <li>1. Motor damage</li> <li>2. Gap of lower steering shaft assembly or mechanical steering assembly is too large</li> <li>3. Installation of lower steering shaft assembly or mechanical steering assembly is loose</li> </ol>	<ol style="list-style-type: none"> <li>1. Contact your dealer</li> <li>2. Contact your dealer</li> <li>3. Contact your dealer</li> </ol>

## CFMOTO LIMITED WARRANTY FOR USA

### CFMOTO Limited Warranty

Dear Customer,

Thank you for purchasing a CFMOTO product, if any component on your vehicle is found to be defective in materials or workmanship within the terms and conditions of this Limited Warranty, the defective component will be repaired or replaced (at the option of CFMOTO) without charge for parts and/or labor at any authorized dealer located within the United States. The CFMOTO Limited Warranty is subject to the following terms and conditions:

#### WARRANTY TERMS & CONDITIONS

- 1. WARRANTY DURATION:** The duration of the warranty period is one (1) year from the date of the new vehicle purchase from an authorized CFMOTO POWERSPORTS, Inc., Dealer. This warranty coverage is invoked from the purchase and use of CFMOTO vehicles only within the continental United States. During the warranty period, CFMOTO POWERSPORTS, Inc. will cover parts and labor costs incurred by an authorized CFMOTO POWERSPORTS, Inc. Dealer arising from a defect in material and/or workmanship of a CFMOTO vehicle. Any vehicles used for commercial purposes will have their warranty period reduced to six (6) months. If CFMOTO POWERSPORTS, Inc. covers a full engine replacement or a complete vehicle replacement under this warranty, the warranty period does not get extended and remains the same as the original purchase date of the vehicle at issue.
- 2. WARRANTY LIMITATIONS:** CFMOTO POWERSPORTS, Inc. provides warranty coverage for one (1) year on all parts and labor for all of its new CFMOTO ATVs. However, the following coverage, exceptions, and limitations apply to all CFMOTO vehicles:

## **CFMOTO LIMITED WARRANTY FOR USA**

- A.** A 30-DAY WARRANTY coverage period applies to all new CFMOTO vehicles in relation to the vehicle's:
- Battery
  - Spark Plugs
  - Air Filters
  - Oil and Fuel Filters
- B.** A 90-DAY WARRANTY coverage period applies to all new CFMOTO vehicles in relation to the vehicle's:
- Drive Belt
  - Gear Shift, CVT, and Wet Clutch
  - Throttle and Brake Cables
  - Front/Rear Rims
  - Front/Rear Tires
  - Front/Rear Brake Pads or Shoes
  - Front/Rear Brake Discs or Drums
  - Wheel or Steering Stem Bearings and Seals
  - Rubber Parts/Engine Mounts/Grips/Boots
  - Brake or Clutch Levers
  - Floor Boards or Pegs
  - ATV Winch (if equipped)
  - Light Bulbs/Fuses
  - Body Plastics and Cosmetic Defects

## CFMOTO LIMITED WARRANTY FOR USA

- 3. EXCLUSIONS FROM WARRANTY COVERAGE:** Any Damage resulting from the following acts or circumstances is not covered by the CFMOTO POWERSPORTS, Inc., Limited Warranty:
- Fire
  - Collision
  - Theft
  - Unavoidable natural disasters
  - Improper storage or transportation
  - Failure or negligence in the performance of periodic vehicle maintenance
  - Improper or negligent use or operation
  - Unauthorized repair or adjustment
  - Unauthorized modifications or performance upgrades
  - Use of vehicle as a rental vehicle
  - Use of vehicle in competitive or racing events
- 4. VEHICLE CARE AND MAINTENANCE:** The vehicle's owner must properly use, maintain, and care for the vehicle as outlined in the CFMOTO POWERSPORTS, Inc., Owner's Manual. Any warranty repairs must be performed exclusively by CFMOTO POWERSPORTS, Inc., authorized Dealers. Any warranty work performed by anyone other than an authorized CFMOTO Dealer will not be covered under the CFMOTO POWERSPORTS, Inc., Limited Warranty policy.

## CFMOTO LIMITED WARRANTY FOR USA

- 5. TRANSFER OR CONTINUATION OF WARRANTY:** This warranty is transferable only under the following conditions:
- Transfer information must be provided to an authorized CFMOTO POWERSPORTS, Inc. dealer, who will then forward the information to CFMOTO POWERSPORTS, Inc.;
  - The complete model and serial number as shown on the original warranty document must be provided.
  - The name and address of the existing and new owners must be provided.
  - The original delivery date of the vehicle must be provided.
  - The new owner must indicate in writing that he/she has received and read the vehicle's Owner's Manual and the CFMOTO POWERSPORTS, Inc. Warranty Policy.
- 6. WARRANTY REGISTRATION:** The Dealer must complete a PDI form and warranty register the vehicle online and provide the completed registration form to CFMOTO POWERSPORTS, Inc., within seven (7) days of completing the sale of the vehicle. Please note that NO warranty claims will be processed unless the product warranty online registration form is completed and the form is received by CFMOTO POWERSPORTS, Inc., from the Dealer.
- 7. DEALER RESPONSIBILITIES:** A CFMOTO authorized Dealer must perform warranty coverage repairs at no charge to the customer, even if they are not the dealer that sold the CFMOTO vehicle to the customer, and must use CFMOTO OEM parts for all warranty repairs. All vehicles sold by the dealer must be inspected and tested by the dealer to ensure proper performance and operation prior to delivery to the customer. No vehicles may be delivered to a customer without first passing a dealer inspection and an operational test.

## CFMOTO LIMITED WARRANTY FOR USA

8. **CUSTOMER ASSISTANCE:** Any questions or concerns regarding your CFMOTO vehicle or related products should be directed to an authorized CFMOTO dealer. However, if a dealer is unable to address customer concerns or a product issue, CFMOTO POWERSPORTS Customer Service can be contacted directly at (763) 398-2690 or by e-mail: [info@cfmotousa.com](mailto:info@cfmotousa.com). Please note that Customer Service is not authorized to approve or deny warranty, and cannot provide technical repair data, diagnosis, instruction, or other information beyond what is provided in the Owner's Manual.
9. **COMMERCIAL USE.** The duration of the warranty for commercial use shall be limited to a period of six (6) months instead of one year for recreational use. All other conditions and limitations shall apply.
10. **TIRES PROVIDED AS ORIGINAL EQUIPMENT:** Other than provided herein, vehicle tires supplied as original equipment are warranted separately by the individual tire manufacturer or its representatives.
11. **DISCLAIMER:** NO EXPRESS WARRANTY IS PROVIDED BY CFMOTO POWERSPORTS, INC. WITH RESPECT TO CFMOTO VEHICLES EXCEPT AS SPECIFICALLY SET FORTH HEREIN. ANY IMPLIED WARRANTY, WARRANTY OF MERCHANTABILITY, WARRANTY OF FITNESS FOR A PARTICULAR PURPOSE, AND ALL IMPLIED WARRANTIES ARISING FROM A COURSE OF DEALING, USAGE OF TRADE, BY STATUTE OR OTHERWISE, ARE HEREBY STRICTLY LIMITED TO THE TERMS OF THIS WRITTEN LIMITED WARRANTY.

## **CFMOTO LIMITED WARRANTY FOR USA**

- 12. INTEGRATION:** This limited warranty supersedes any and all oral, express, or written warranties, statements, or undertakings that may previously have been made, and contains the entire agreement of the parties with respect to the warranty of CFMOTO vehicles. Any and all warranties not contained in this Agreement are specifically excluded. This warranty extends to each original (and subsequent) owner of any CFMOTO ATV, for the term of the original warranty period. This limited warranty shall be the sole and exclusive remedy available to the customer with respect to the covered CFMOTO vehicle. In the event of any alleged breach of any warranty or any legal action brought by the customer based on alleged negligence or other conduct by CFMOTO POWERSPORTS Inc., or its related parties, the customer's sole and exclusive remedy will be repair or replacement of defective components as stated above, unless otherwise provided by law. Some states do not allow limitations on how long an implied warranty lasts, so the above limitations may not apply if they are deemed inconsistent with the controlling state law.



# **CFMOTO LIMITED WARRANTY FOR USA CALIFORNIA EVAPORATIVE EMISSIONS CONTROL WARRANTY STATEMENT YOUR WARRANTY RIGHTS AND OBLIGATIONS**

## **INTRODUCTION:**

The California Air Resources Board (CARB) and CFMOTO Powersports, Inc. (CFMOTO) are pleased to explain the evaporative emissions control system warranty on your 2020 and later-model year off-highway recreation vehicles (OHRVs). In California, new off-highway recreational vehicles must be designed, built, and equipped to meet the State's stringent anti-smog standards. CFMOTO must warrant the evaporative emissions control system on your OHRV for the periods of time listed below, provided there has been no abuse, neglect, improper maintenance, or unapproved modification of your OHRV.

Your evaporative emissions control system may include parts such as: fuel injection systems, electronic control systems, fuel tanks, fuel lines, fuel caps, valves, carbon canisters, filters, vapor hoses, belts, clamps, connectors, and other evaporative emissions-related components. Where a warrantable condition exists, CFMOTO will repair your OHRV at no cost to you, including diagnosis, parts and labor.

## **MANUFACTURER'S WARRANTY COVERAGE:**

The warranty period for this OHRV is 30 months, or 2500 miles, or 250 hours, whichever comes first, except for "high-priced" warranty parts, which are covered for 60 months, or 5000 miles, or 500 hours, whichever comes first. If any evaporative emissions-related part on your OHRV is defective, the part will be repaired or replaced by CFMOTO.

## **OWNER'S WARRANTY RESPONSIBILITIES:**

As the OHRV owner, you are responsible for the performance of the required maintenance listed in your owner's manual. CFMOTO recommends that you retain all receipts covering maintenance on your OHRV, but CFMOTO cannot deny warranty solely for the lack of receipts or for your failure to ensure the performance of a scheduled maintenance.

## CFMOTO LIMITED WARRANTY FOR USA

As an owner, you are responsible for presenting your OHRV to a CFMOTO dealer as soon as a problem exists. The warranty repairs should be completed in a reasonable amount of time, not to exceed 30 days.

As an OHRV owner, you should also be aware that CFMOTO may deny you warranty coverage if your OHRV or a part has failed due to abuse, neglect, improper maintenance or unapproved modifications.

### WARRANTY PARTS:

The repair or replacement of any warranted part otherwise eligible for warranty coverage may be excluded from such coverage if CFMOTO demonstrates that the OHRV has been abused, neglected, or improperly maintained, and that such abuse, neglect, or improper maintenance was the direct cause of the need for repair or replacement of the part. That notwithstanding, any adjustment of a component that has a factory installed, and properly operating, adjustment-limiting device is still eligible for warranty coverage. The following emission warranty parts list are covered:

- Fuel Tank<sup>\$</sup>
- Fuel Cap
- Fuel Lines
- Fuel Lines Fittings
- Clamps
- Pressure Relief Valves\*
- Control Valves\*
- Control Solenoids\*
- Electronic Control\*
- Electronic Control Module\*<sup>\$</sup>
- Vacuum Control Diaphragms\*
- Control Cables\*
- Control Linkages\*
- Purge Valves
- Vapor Hoses
- Liquid/Vapor Separator
- Carbon Canister
- Canister Mounting Brackets

\*Parts that relate to the installed vehicle Evaporative Control System; \$=High-Priced warranty parts.

**THE REMOVAL OR MODIFICATION OF EVAPORATIVE EMISSION-RELATED PARTS ON THIS OHRV IS ILLEGAL. VIOLATORS MAY BE SUBJECT TO CIVIL AND/OR CRIMINAL PENALTIES AS PROVIDED UNDER CALIFORNIA AND FEDERAL LAW.**

If you have any questions regarding your warranty rights and responsibilities, you should contact CFMOTO at 763 398-2690; 555 Holly Lane N. Suite #30 Plymouth, MN 55447 or the California Air Resources Board at 9528 Telstar Avenue, El Monte, CA 91731.

## **CFMOTO LIMITED WARRANTY FOR USA**

### **U.S.A. EPA and CARB Emissions Control Limited Warranty**

This emissions limited warranty is in addition to the CFMOTO Powersports, Inc. standard limited warranty for your vehicle. CFMOTO Powersports, Inc. warrants that at the time it is first purchased, this emissions-certified vehicle is designed, built and equipped so it conforms to applicable U.S. Environmental Protection Agency (EPA) and the California Air Resource Board (CARB) emission regulations. CFMOTO Powersports, Inc. also warrants that the vehicle is free from defects in materials and workmanship that would cause it to fail to meet these regulations.

The warranty period for this emissions-certified vehicle starts on the date the vehicle is first purchased and continues for a period of 500 hours of engine operation, 5000 kilometers (3,100 miles) of vehicle travel, or 30 calendar months from the date of purchase, whichever comes first. This emissions limited warranty covers components whose failure increases the vehicle's regulated emissions, and it covers components of systems whose only purpose is to control emissions. Repairing or replacing other components not covered by this warranty is the responsibility of the vehicle owner. This emissions limited warranty does not cover components whose failure does not increase the vehicle's regulated emissions.

For exhaust emissions, emission-related components include any engine parts related to the following systems:

- Air-induction system (excludes filters)
- Ignition system (excludes spark plugs)
- Fuel system (excludes filters)
- Exhaust gas recirculation systems

The following parts are also considered emission-related components for exhaust emissions:

- After treatment devices
- Sensors
- Crankcase ventilation valves
- Electronic control units

## CFMOTO LIMITED WARRANTY FOR USA

The following parts are considered emission-related components for evaporative emissions:

- Fuel Tank
- Fuel Cap
- Fuel Line
- Fuel Line Fittings
- Clamps\*
- Pressure Relief Valves\*
- Control Valves\*
- Electronic Controls\*
- Vacuum Control Diaphragms\*
- Control Cables\*
- Control Linkages\*
- Purge Valves
- Vapor Hoses
- Liquid/Vapor Separator
- Carbon Canister
- Carburetor Purge Port Connector

\* As related to the evaporative emission control system.

The exclusive remedy for breach of this limited warranty shall be, at the exclusive option of CFMOTO Powersports, Inc., repair or replacement of any defective materials, components or products.

THE REMEDIES SET FORTH IN THIS LIMITED WARRANTY ARE THE ONLY REMEDIES AVAILABLE TO ANY PERSON FOR BREACH OF THIS WARRANTY. CFMOTO POWERSPORTS, INC. SHALL HAVE NO LIABILITY TO ANY PERSON FOR INCIDENTAL, CONSEQUENTIAL OR SPECIAL DAMAGES OF ANY DESCRIPTION, WHETHER ARISING OUT OF EXPRESS OR IMPLIED WARRANTY OR ANY OTHER CONTRACT, NEGLIGENCE OR OTHER TORT OR OTHERWISE. THIS EXCLUSION OF CONSEQUENTIAL, INCIDENTAL, AND SPECIAL DAMAGES IS INDEPENDENT FROM AND SHALL SURVIVE ANY FINDING THAT THE EXCLUSIVE REMEDY FAILED OF ITS ESSENTIAL PURPOSE.

## **CFMOTO LIMITED WARRANTY FOR USA**

ALL IMPLIED WARRANTIES (INCLUDING BUT NOT LIMITED TO ANY IMPLIED WARRANTIES OF MERCHANTABILITY AND FITNESS FOR A PARTICULAR PURPOSE) ARE LIMITED IN DURATION TO THE WARRANTY PERIOD DESCRIBED HEREIN. CFMOTO POWERSPORTS, INC. DISCLAIMS ALL EXPRESS WARRANTIES NOT STATED IN THIS WARRANTY.

Some states do not allow limitations on how long an implied warranty lasts, so the above limitation may not apply if it is inconsistent with the controlling state law. This limited warranty excludes failures not caused by a defect in material or workmanship. This limited warranty does not cover damage due to accidents, abuse or improper handling, maintenance or use. This limited warranty also does not cover any engine that has been structurally altered, or when the vehicle has been used in racing competition. This limited warranty also does not cover physical damage, corrosion, or defects caused by fire, explosions or other similar causes beyond the control of CFMOTO Powersports, Inc. Owners are responsible for performing the scheduled maintenance identified in the owner's manual. CFMOTO Powersports, Inc. may deny warranty claims for failures that have been caused by the owner's or operator's improper maintenance or use, by accidents for which CFMOTO Powersports, Inc. has no responsibility, or by acts of God. Any qualified repair shop or person may maintain, replace, or repair the emission control devices or systems on your vehicle. CFMOTO Powersports, Inc. recommends that you contact an authorized CFMOTO Powersports, Inc. dealer to perform any service that may be necessary for your vehicle. CFMOTO Powersports, Inc. also recommends that you use only genuine CFMOTO Powersports, Inc. parts. It is a potential violation of the Clean Air Act if a part supplied by an aftermarket parts manufacturer reduces the effectiveness of the vehicle's emission controls. Tampering with emission controls is prohibited by federal law. If you have any questions regarding your warranty rights and responsibilities, please contact CFMOTO Powersports, Inc. at 888-823-6686.

## **CFMOTO LIMITED WARRANTY FOR USA**

### **Noise Control System and Tampering**

Warranty time period: **1,865 miles (3000 km)**

Federal law prohibits the following acts or causing thereof:

1. The removal or rendering inoperative by any person other than for purposes of maintenance, repair, or replacement, of any device or element of design incorporated into any new vehicle for the purpose of noise control prior to its sale or delivery to the ultimate purchaser or while it is in use or;
2. The use of the vehicle after such device or element of design has been removed or rendered inoperative by any person.

AMONG THOSE ACTS PRESUMED TO CONSTITUTE TAMPERING ARE THE ACTS LISTED BELOW:

These acts include tampering with the following systems; i.e., modification, removal, etc.

#### **Exhaust system**

- Muffler
- Exhaust
- Silencer

#### **Intake system**

- Air cleaner case
- Air cleaner element
- Intake duct

## CFMOTO LIMITED WARRANTY FOR USA

### Change of Ownership

If you sell your vehicle, any valid remainder of the warranty can be transferred to the new owner. Please record the details of the exchange below and inform an authorized CFMOTO dealer:

Change of Ownership	Original Purchaser	2nd Owner	3rd Owner	4th Owner
Owner Name				
Address				
City				
State / Zip Code				
Telephone				
E-mail				
Date of Purchase				
Odometer Reading				
New Owner Signature				

#### NOTE:

If a completed Change of Ownership form does not include the required details or is inaccurate, CFMOTO reserves the right to investigate the actual ownership of the product, the service history, and possibly refuse the application for warranty transfer if the requirements have not been fulfilled.

## CFMOTO RIDE App / Telematics Box

CFMOTO RIDE is an intelligent, networked, mobile service platform that provides human-vehicle interconnection as its core. CFMOTO RIDE is committed to providing full-featured services for motorsport enthusiasts online.

The telematics module, or T-BOX, is an intelligent vehicle terminal that builds a communication bridge between owners and vehicles through the CFMOTO RIDE App. When T-BOX equipped, the owner can enjoy the smart features of CFMOTO RIDE.

The telematics module is optional in select markets. Check with your dealer to determine if your vehicle is equipped with telematics (T-BOX), or download the CFMOTO RIDE App, send your question via the [feedback] option, and CFMOTO will check for you.



### CFMOTO RIDE App

Scan the QR code to download the CFMOTO RIDE APP from the Apple App Store for iPhone or Google Play for Android.



### CFMOTO RIDE Facebook

Scan the QR code to follow CFMOTO RIDE on Facebook and be first to receive notices on App updates and news.



### CFMOTO RIDE Website

Scan the QR code to explore the CFMOTO RIDE intelligent platform on the CFMOTO global website.

CFMOTO RIDE provides various smart features such as the vehicle owner's manual, riding details, navigation, Over-The-Air (OTA) updates, geofence, static reminders, etc. Available features will vary according to vehicle / model configuration and global market requirements.

Please download CFMOTO RIDE and enjoy the intelligent riding experience!





# TABLE DES MATIÈRES

<b>Avant-propos .....</b>	<b>200</b>
Bienvenue .....	200
Système EVAP (système de contrôle des émissions par évaporation).....	201
Convertisseur catalytique .....	201
Mots d'avertissement .....	202
<b>Introduction .....</b>	<b>205</b>
Numéros d'identification du véhicule/clés .....	206
<b>Spécifications .....</b>	<b>207</b>
<b>Sécurité des opérateurs.....</b>	<b>213</b>
Précautions générales de sécurité .....	213
Responsabilités du propriétaire.....	217
Équipement de conduite sécuritaire .....	223
Étiquettes de sécurité, emplacements et avertissements .....	227
Avertissements de danger potentiel .....	229
<b>Commandes et fonctionnalités .....</b>	<b>237</b>
Commandes principales.....	253
Commandes secondaires .....	258
Emplacements et descriptions des caractéristiques du véhicule .....	263
Système TVC .....	276
Système de freinage moteur (EBS) .....	277

Comment éviter la défaillance de la courroie d'entraînement et des composants TVC..	278
Indicateurs et fonctionnement du tableau de bord – Modes normal/travail.....	281
<b>Conduite de votre véhicule.....</b>	<b>290</b>
Période de rodage.....	293
Inspection avant le départ.....	293
Pédale d'accélérateur.....	293
Pédale de frein.....	293
Démarrage du moteur.....	294
Changer la transmission.....	295
<b>Conduite et pratique en toute sécurité.....</b>	<b>298</b>
Responsabilités de l'opérateur.....	298
Exercices pratiques.....	303
Conduite hors-route.....	306
Transport et remorquage d'une charge.....	312
Fonctionnement du treuil.....	318
<b>Entretien.....</b>	<b>329</b>
Définition d'utilisation intensive.....	330
Calendrier de maintenance périodique et clé d'icône.....	331
Liste de vérification pré-randonnée.....	333
Liste de contrôle d'entretien par rodage.....	335
Calendrier d'entretien périodique.....	337
Procédures d'entretien.....	344

<b>Nettoyage et entreposage</b> .....	<b>380</b>
<b>Transport du véhicule</b> .....	<b>385</b>
<b>Diagnostic de problème de véhicule</b> .....	<b>386</b>
Dépannage du moteur .....	386
Témoin de dysfonctionnement EFI .....	390
Témoin de dysfonctionnement EPS .....	391
Diagnostic et solution des pannes de direction assistée électronique (EPS) .....	392
<b>Garantie limitée CFMOTO</b> .....	<b>394</b>
Conditions générales de garantie .....	394
Garantie limitée sur le contrôle des émissions des États-Unis EPA et CARB .....	400
Système de lutte contre le bruit et altération du système .....	407
Changement de propriétaire .....	408
<b>Application CFMoto Ride / Boîtier télématique</b> .....	<b>409</b>

## AVANT-PROPOS

### Bienvenue

Merci d'avoir acheté un véhicule CFMOTO et bienvenue dans notre famille mondiale de passionnés de CFMOTO. Assurez-vous de nous rendre visite en ligne sur [www.cfmoto.com](http://www.cfmoto.com) pour les dernières nouvelles, les introductions de nouveaux produits, les événements à venir et plus encore.

CFMOTO est une société internationale spécialisée dans le développement, la fabrication et la commercialisation de véhicules tout-terrain, de véhicules utilitaires, de motos de grosse cylindrée et de leurs composants de base. Fondée en 1989, CFMOTO se consacre au développement de la culture de marques indépendantes et à l'innovation en R&D. Les produits CFMOTO sont actuellement distribués par plus de 2000 partenaires dans le monde entier dans plus de 100 pays et régions. CFMOTO se hisse dans les rangs avancés dans le monde des sports motorisés et vise à fournir des produits de qualité supérieure aux concessionnaires et aux fans du monde entier.

Pour une utilisation sûre et agréable de votre véhicule, assurez-vous de suivre les instructions et les recommandations de ce manuel du propriétaire. Votre manuel contient des instructions pour un entretien mineur. Les informations sur les réparations majeures sont décrites dans le manuel d'entretien CFMOTO.

Votre concessionnaire CFMOTO connaît mieux votre véhicule et s'intéresse à votre entière satisfaction. Assurez-vous de retourner chez votre concessionnaire pour tous vos besoins de service pendant et après la période de garantie.

Les informations contenues dans ce manuel comprennent les informations produites les plus récentes disponibles au moment de la publication et peuvent contenir des informations produites qui ne s'appliquent pas à votre marché particulier. Les instructions contenues dans cette publication ne sont pas juridiquement contraignantes. CFMOTO se réserve le droit de modifier ou de supprimer complètement les instructions techniques, les instructions de service, les instructions de maintenance, les prix, les couleurs, les formes, les matériaux, les designs, les configurations et les contenus similaires sans préavis et sans raison. En raison de l'amélioration continue de la conception et de la qualité des composants de production, des écarts mineurs peuvent survenir entre le véhicule réel et les informations fournies. Aucune responsabilité ne peut être acceptée pour les omissions, les écarts, les inexactitudes, les défauts d'impression ou les erreurs dans le mode de livraison, les dessins et les instructions. Toute reproduction ou réutilisation des images, descriptions et/ou procédures contenues, que ce soit en totalité ou en partie, est expressément interdite sans l'autorisation écrite du détenteur des droits d'auteur. Ce manuel s'applique aux modèles suivants : **CF1000UZ, CF1000UU, CF1000UU-2, CF1000UZ-2 CM1000UZ CM1000UZ-2.**

## AVANT-PROPOS

### AVERTISSEMENT

**Les émanations du moteur de ce produit contiennent des produits chimiques reconnus par certains États américains comme étant cancérigènes, pouvant causer des anomalies congénitales ou autres problèmes du système reproducteur.**

### **EVAP (Système de recyclage des vapeurs de carburant) (si équipé)**

Lorsque les réglementations sur les émissions environnementales l'exigent, ce véhicule est fabriqué avec un système d'évaporation de carburant (EVAP) pour empêcher les vapeurs de carburant de pénétrer dans l'atmosphère depuis le réservoir de carburant et le système de carburant. Pendant l'entretien de routine, inspectez visuellement tous les raccords de tuyaux pour détecter les fuites ou les blocages. Assurez-vous que les tuyaux ne sont pas obstrués ou pliés, ce qui pourrait endommager la pompe à carburant ou déformer le réservoir de carburant. Aucun autre entretien est nécessaire. Contactez votre revendeur si une réparation est nécessaire. Ne modifiez aucune partie du système EVAP car ceci enfreindra les réglementations sur les émissions environnementales.

### **Convertisseur catalytique**

**ATTENTION : Veuillez respecter les consignes suivantes pour protéger votre convertisseur catalytique.**

- Utilisez uniquement de l'essence sans plomb. Même si l'essence ne contient que très peu de plomb, ceci pourrait endommager les métaux réactifs contenus dans le convertisseur catalytique et le désactiver.
- Ne jamais ajouter d'huile antirouille et d'huile moteur dans le silencieux, ceci pourrait désactiver le convertisseur catalytique.

**REMARQUE :** Les descriptions, instructions ou procédures présentées dans ce document sont données à titre de référence seulement, et reflète le point de vue du conducteur lorsqu'il se retrouve assis sur le véhicule.

## AVANT-PROPOS

### Mots d'avertissement

Mots qui attirent l'attention sur un ou des message(s) de sécurité, avertissant sur les probabilités de dommages matériels ou un degré de risque sérieux. Les mots indicateurs contenus dans ce manuel sont AVERTISSEMENT, ATTENTION et REMARQUE.

#### **AVERTISSEMENT**

Ce symbole d'avertissement indique une situation dangereuse susceptible de provoquer des blessures graves, voire mortelles.

#### **ATTENTION**

Ce symbole d'avertissement indique une situation dangereuse susceptible de provoquer des blessures mineures ou modérées ou encore des dommages au véhicule.

#### **ATTENTION**

Cet avertissement sans symbole indique une situation dangereuse susceptible de causer des dommages au véhicule.

#### **REMARQUE ou AVIS**

Utilisé pour aborder des procédés qui ne sont pas liés à des possibilités de lésions corporelles.

## AVANT-PROPOS



## NE JAMAIS CONDUIRE CE VÉHICULE

- Sans formation ni instructions adéquates ;
- Sur la voie publique, car vous pourriez entrer en collision avec un autre véhicule ;
- Sur des routes pavées. La chaussée peut sérieusement affecter la manipulation et le contrôle ;
- À des vitesses trop élevées pour vos compétences ou les conditions ;
- Avec plusieurs passagers à bord, les côte-à-côte de type 2 sont conçus pour le conducteur et un seul passager à la fois ;
- Sous l'emprise de DROGUE ou d'ALCOOL ;

## IL FAUT TOUJOURS

- Éviter les surfaces pavées qui pourraient nuire à la manipulation et au contrôle du véhicule ;
- Utiliser des techniques de conduite appropriées pour éviter le renversement du véhicule sur les collines et les terrains accidentés ainsi que lors des virages ;
- Porter des lunettes de protection ainsi qu'un casque et des vêtements de protection.



**AVANT-PROPOS**  
**LIRE LE GUIDE DE L'UTILISATEUR**  
**SUIVRE TOUTES LES INSTRUCTIONS ET RESPECTEZ**  
**LES AVERTISSEMENTS**

** AVERTISSEMENT**

**Veillez lire, comprendre et suivre toutes les instructions et les consignes de sécurité contenues dans ce guide et sur toutes les étiquettes des produits. Défaut de suivre ces consignes de sécurité peut entraîner des blessures graves, voire mortelles.**

** AVERTISSEMENT**

**Les gaz d'échappement du moteur de ce produit contiennent du CO<sup>2</sup>, un gaz mortel pouvant provoquer des maux de tête, des vertiges, une perte de conscience, voire la mort. Évitez toujours de démarrer le véhicule dans des zones mal ventilées.**

## INTRODUCTION

Merci d'avoir acheté un véhicule CFMOTO et bienvenue dans la grande famille universelle de propriétaires CFMOTO. Pour une utilisation sécuritaire et agréable de votre véhicule, assurez-vous de suivre les instructions et recommandations contenues dans le présent manuel du propriétaire. Votre manuel contient des instructions pour l'entretien général. Des informations sur les réparations majeures vous sont fournies dans le manuel de service CFMOTO et devraient être pratiquées par un professionnel CFMOTO. Assurez-vous de retourner chez votre concessionnaire pour tous vos besoins en matière d'entretien pendant la période de garantie.

### **Si vous avez des questions ou des préoccupations concernant votre véhicule**

Toutes les questions ou préoccupations relatives à votre véhicule doivent d'abord être adressées à votre concessionnaire CFMOTO local. Votre concessionnaire est celui qui connaît le mieux votre véhicule et il s'intéresse à votre entière satisfaction. Dans le cas où votre revendeur local est incapable de résoudre un problème ou une préoccupation concernant le produit, vous pouvez contacter un représentant du service client CFMOTO en fonction du marché dans lequel vous résidez :

**Pour les États-Unis :** Veuillez contacter CFMOTO POWERSPORTS, INC. TÉL. : 763 398-2690, par courriel : [info@cfmotousa.com](mailto:info@cfmotousa.com), ou en ligne : <https://cfmotousa.com/customer-care/customer-care-contact>. Veuillez noter que le service client n'a pas le pouvoir d'approuver ou de refuser la garantie et ne peut pas fournir de données de réparation technique, de diagnostic ou d'instructions.

**Pour le Canada :** Veuillez contacter CANADA MOTOR IMPORT INC. TÉL. : 418 227-2077, ou en ligne : <https://cfmoto.ca/en/customer-care/>.

Pour un problème de sécurité lié à votre véhicule canadien, vous pouvez le signaler à la Division des enquêtes sur les défauts et rappels de Transports Canada par courrier, par téléphone ou en ligne en utilisant les coordonnées ci-dessous.

Adresse postale : Transports Canada - ASFAD, 330, rue Sparks, Ottawa, ON, K1A 0N5

TÉL. : 819 994-3328 (région d'Ottawa-Gatineau ou international) ou sans frais : 1 800 333-0510 (au Canada)

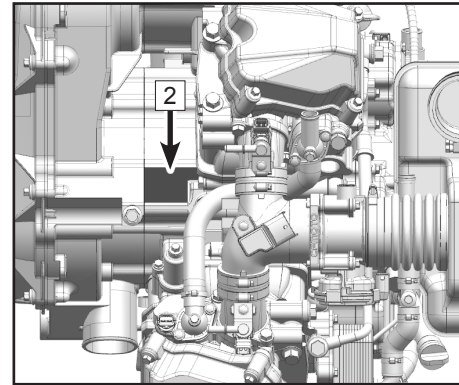
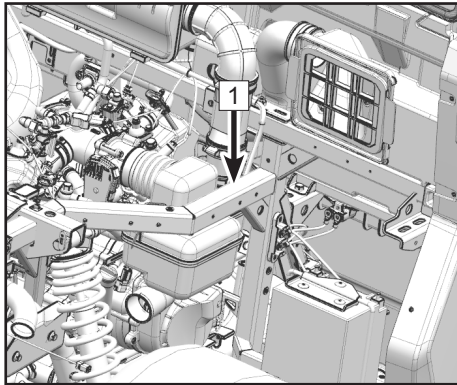
En ligne: <http://www.tc.gc.ca/recalls>

## INTRODUCTION

### Numéro d'identification de votre véhicule

Enregistrez le numéro d'identification de votre véhicule (VIN) et le numéro d'identification de son moteur (EIN) dans les espaces prévus à cet effet ci-dessous. Retirez la clé de secours et conservez-la dans un endroit sûr. Votre clé ne peut être dupliquée qu'à l'aide de l'une des 2 clés existantes.

Si les 2 clés sont perdues, l'ensemble de verrouillage complet devra être remplacé.



1. Numéro d'identification du véhicule : \_\_\_\_\_

2. Numéro d'identification du moteur : \_\_\_\_\_

## SPÉCIFICATIONS

### Spécifications

Élément	UFORCE 1000	UFORCE 1000 XL
Longueur totale	115,9 po (2 945 mm)	115,9 po (2 945 mm)
Largeur hors tout	63,6 po (1 615 mm)	63,6 po (1 615 mm)
Hauteur totale	72,8 po (1 850 mm)	72,8 po (1 850 mm)
Empattement	80,7 po (2 050 mm)	80,7 po (2 050 mm)
Garde au sol	11 po (280 mm)	11 po (280 mm)
Min. rayon de braquage	161,4 po (4 100 mm)	161,4 po (4 100 mm)
Poids de base	1 625 lb (737 kg)	1 625 lb (737 kg)
Capacité de poids de la boîte de chargement arrière	770,9 lb (350 kg)	770,9 livres (350 kg)
Charge maximale du véhicule autorisée	1 508,8 lb (685 kg)	1 508,8 lb (685 kg)
Capacités de remorquage recommandées :		
Poids de l'attelage de remorquage	99 lb (45 kg)	99 lb (45 kg)
Poids de la remorque et du chargement (non freiné)	2500 lb (1134 kg)	2500 lb.(1134 kg)
Modèle et type de moteur	2V91Y	
Type	Bicylindre en V, 4 temps, refroidissement liquide, 8 soupapes, SACT	

## SPÉCIFICATIONS

Élément	UFORCE 1000	UFORCE 1000 XL
Alésage x course	3,5 po x 2,91 po (91 mmx 74 mm) x 2	
Cylindré	962,6 ml	
Taux de compression	10.6:1	
Démarrage	Électrique	
Système de lubrification	Éclaboussure / pression	
Huile à moteur :	SAE10W-40 SAE 5W-40 / SAE15W-40 (Voir page 292 pour le tableau de viscosité de l'huile)	
Type		
Volume		
Capacité changement / Huile filtre	2,73 pintes. (2,6 L) 2,63 pintes. (2,5 L)	
Huile à transmission :	SAE75W-90GL-5 0,62 pinte. (0,6 L)	
Type		
Capacité changement		
Système de refroidissement :	CFMOTO utilise la technologie des acides organiques (OAT) dans tous les moteurs refroidis par liquide. Ne pas mélanger avec du liquide de refroidissement inorganique (IAT).  4,44 pintes. (4,2 L)  50% liquide de refroidissement / 50% eau distillée	
Type		
Capacité		
Taux de mélange		

## SPÉCIFICATIONS

Élément	UFORCE 1000	UFORCE 1000 XL
Huile de carter arrière :		
Type	SAE80W/90GL-5	
Volume	400 ml (13,5 oz)	
Changement d'huile périodique		
Huile de carter avant :		
Type	SAE80W/90GL-5	
Volume	250 ml (8,5 oz)	
Changement d'huile périodique		
Filtre à air	Papier	
Type d'essence	89 ou plus, sans plomb	
Capacité du réservoir	40 L (10,6 gallons)	
Capacité restante lorsque la lumière clignote (approximatif)	3,5 L (0,9 gallons)	

## SPÉCIFICATIONS

Élément		UFORCE 1000	UFORCE 1000 XL
Type de bougie		DCPR8E (NGK)	
Écartement de l'électrode		0,8 mm ~ 0,9 mm (0,031 po ~ 0,035 po)	
Transmission	Transmission		TVC + Boitier de vitesse
	Vitesse (ordre)		Manuel / L—H—N—R—P
	Ratio TVC		0,70 ~ 2,88
	Système de frein moteur (EBS)		Pour le marché Australien seulement
	Ratio boitier de vitesse	Bas	43/17=2,529
		Élevé	32/28=1,143
Marche arrière		29/13=2,231	
Châssis		Tube en acier	
Pneus :		Sans chambre à air	
Type		27 × 9,00 R14 60L / 27×9,11-14 61L	
Avant		27 × 11,00 R14 66L / 27×11,00-14 70L	
Arrière		4x110 mm	
Modèle de boulon de roue			

## SPÉCIFICATIONS

Élément	UFORCE 1000	UFORCE 1000 XL
Pression des pneus :		
Avant	10 PSI (70 kPa)	14 PSI (100 kPa)
Arrière	14 PSI (100 kPa)	17 PSI (120 kPa)
Pression des pneus avec chargement et haute vitesse :		
Avant	17 PSI (120kPa)	17 PSI (120kPa)
Arrière	22 PSI (150 kPa)	22 PSI (150 kPa)
Système de freins :	Essieux avant : double disques Essieux arrière : double disques	
Pédale de frein type / Fonctionnement	Actionné manuellement Disques mécaniques roues arrières seulement	
Frein de stationnement Type / Fonctionnement	Actionné avec le pied Disques aux 4 roues	
Type de liquide à frein	DOT 4	
Suspension :		
Suspension avant	Bras double A, indépendante	
Suspension arrière	Bras double A, indépendante	



## SPÉCIFICATIONS

Élément	UFORCE 1000	UFORCE 1000 XL
Débattement des roues :		
Avant	9,1 po (230 mm)	9,1 po (230 mm)
Arrière	8,6 po (220 mm)	8,6 po (220 mm)
Système électrique :		
Démarrage	Électronique	
Charge	A/C 600 Watt @ 5000 TR/MIN rectifié	
Batterie	Tr/min 12 Vdc / 30 Ah	
Fusibles	EPS - 40A (si équipé) Fusible principal - 40A Phare - 15A Contrôle des signaux - 15A EFI-15A Ventilateur - 15A Secours / réserve - 15A Pompe à essence - 10A Sauvegarde - 15A	
Système d'éclairage :	LED - Ensemble d'éclairage LED	
Phare:	Lampe halogène (Certains marchés HS1 35/35W)	

## SÉCURITÉ DE L'UTILISATEUR

### Sécurité de l'utilisateur

#### Précautions générales de sécurité

##### AVERTISSEMENT

Le non-respect des avertissements contenus dans ce guide peut entraîner des blessures graves, voire mortelles. Un côte-à-côte n'est pas un jouet et peut être dangereux à conduire. Il demande une conduite différente des autres véhicules, tels que les motos et les voitures. Une collision ou un renversement peut se produire rapidement, même lors de manœuvres de routine comme les virages ou en franchissant des obstacles, si vous ne prenez pas les précautions nécessaires.

Lisez ce guide de l'utilisateur. Avant d'utiliser ce côte-à-côte, assurez-vous de bien comprendre tous les avertissements, ainsi que toutes les consignes et procédures de fonctionnement.

#### Restriction d'âge

Ce véhicule est POUR ADULTE SEULEMENT. Son utilisation est interdite aux personnes de moins de 16 ans. Aucun passager de moins de 12 ans n'est autorisé à bord des véhicules CFMOTO conçus pour transporter un passager.

#### Apprenez à connaître votre véhicule

En tant qu'opérateur du véhicule, vous êtes responsable de votre sécurité personnelle, de la sécurité des autres et de la protection de notre environnement. Assurez-vous de lire et de bien comprendre ce guide qui comprend des renseignements précieux sur tous les aspects de votre véhicule, y compris les procédures de sécurité.

## SÉCURITÉ DE L'UTILISATEUR

### Modifications à l'équipement

CFMOTO est soucieux de la sécurité de nos clients et du public en général. Par conséquent, nous recommandons fortement aux consommateurs de ne pas installer sur un véhicule, tout équipement susceptible d'en augmenter la vitesse ou la puissance, ou d'apporter toute autre modification en ce sens au véhicule. Toute modification de l'équipement d'origine du véhicule crée un risque de sécurité considérable et augmente le risque de blessures corporelles. La garantie sur votre côte-à-côte sera automatiquement résiliée en cas d'ajout de tout accessoire non autorisé ou de modification apportée au véhicule pour en augmenter la vitesse ou la puissance. **REMARQUE : Certains accessoires peuvent être ajoutés au véhicule, et peuvent en modifier les caractéristiques de manipulation et de performance. Ces accessoires comprennent, mais ne sont pas limités à : tondeuses, lames, pneus, pulvérisateurs, grands supports, ensembles élévateurs et remorques. Utilisez uniquement des accessoires approuvés et familiarisez-vous avec leurs fonctions.**

### Évitez l'intoxication au monoxyde de carbone

Tous les gaz d'échappement du moteur contiennent du monoxyde de carbone, un gaz mortel. Respirer du monoxyde de carbone peut provoquer des maux de tête, des étourdissements, une somnolence, des nausées, de la confusion et éventuellement la mort.

Le monoxyde de carbone est un gaz incolore, inodore et insipide qui peut être présent même si vous ne voyez ni ne sentez aucun échappement du moteur. Des niveaux mortels de monoxyde de carbone peuvent s'accumuler rapidement et vous pouvez rapidement être vaincu et incapable de vous échapper. De plus, des niveaux mortels de monoxyde de carbone peuvent persister pendant des heures ou des jours dans des zones fermées ou mal ventilées.

Pour éviter des blessures graves ou la mort par intoxication au monoxyde de carbone :

- Ne conduisez jamais le véhicule dans des zones mal ventilées ou partiellement fermées.
- Ne jamais opérer le véhicule sur un site extérieur où les gaz d'échappement du moteur peuvent être aspirés dans un bâtiment par des ouvertures comme les fenêtres et les portes.

## **SÉCURITÉ DE L'UTILISATEUR**

### **Évitez les incendies d'essence et autres dangers**

L'essence est extrêmement inflammable et hautement explosive. Les vapeurs de carburant peuvent se propager et s'enflammer à la moindre étincelle ou flamme, même à plusieurs mètres du moteur. Pour réduire les risques d'incendie ou d'explosion, suivez ces instructions :

- Utilisez uniquement un bidon d'essence approuvé pour entreposer le carburant.
- Ne jamais remplir le bidon d'essence alors qu'il se trouve dans la boîte de chargement du véhicule ou sur le véhicule. Une décharge d'électricité statique pourrait enflammer le carburant.
- Respectez rigoureusement les procédures appropriées de ravitaillement en carburant.
- Ne jamais démarrer ou faire tourner le moteur si le bouchon du réservoir n'est pas correctement installé. L'essence est toxique et peut provoquer des blessures, voire la mort.
- Ne jamais siphonner l'essence par la bouche.
- Si vous avalez de l'essence, en avez dans les yeux ou inhalez des vapeurs d'essence, consultez immédiatement un médecin.
- Si de l'essence se déverse sur vous, lavez-vous à l'eau savonneuse et changez vos vêtements.

### **Indice d'octane minimum du carburant et avertissement de sécurité**

Le carburant recommandé pour votre véhicule est de 89 octane minimum, de qualité supérieure ou intermédiaire (un mélange maximal de 10% d'éthanol est autorisé). Un carburant non oxygéné (sans éthanol) est recommandé pour de meilleures performances dans toutes les conditions.

## SÉCURITÉ DE L'UTILISATEUR

### AVERTISSEMENT

L'essence est hautement inflammable et explosive dans certaines conditions.

Laissez refroidir le moteur et le système d'échappement avant de remplir le réservoir.

Soyez toujours extrêmement prudent lorsque vous manipulez de l'essence.

Faites toujours le plein d'essence avec le moteur coupé, à l'extérieur ou dans un endroit bien ventilé.

Ne transportez jamais un récipient en plastique contenant de l'essence dans la zone de chargement lorsque vous roulez. L'électricité statique entre la zone de chargement et le contenant pourrait provoquer une étincelle.

Ne fumez pas et ne laissez pas de flammes nues ou d'étincelles dans ou à proximité de la zone où le ravitaillement est effectué, ou à l'endroit où est entreposé de l'essence.

Ne remplissez pas trop le réservoir. Ne remplissez pas jusqu'au col du réservoir.

Si de l'essence se répand sur votre peau ou vos vêtements, lavez-les immédiatement à l'eau et au savon et changez de vêtements.

Ne démarrez jamais le moteur et ne le laissez jamais tourner dans un espace clos. Les gaz d'échappement du moteur sont toxiques et peuvent causer une perte de conscience ou la mort en peu de temps.

L'échappement du moteur de ce produit contient des produits chimiques connus pour causer le cancer, des anomalies congénitales ou d'autres dommages au système reproducteur. Assurez-vous de faire fonctionner ce véhicule uniquement à l'extérieur ou dans des zones bien ventilées.

### **Évitez les brûlures sur les pièces chaudes**

Les composants du système d'échappement sont très chauds pendant l'utilisation du véhicule. Évitez tout contact pendant et immédiatement après l'utilisation afin d'éviter les brûlures.

## SÉCURITÉ DE L'UTILISATEUR

### Responsabilités du propriétaire

#### **Soyez qualifié et responsable**

Lisez attentivement ce guide de l'utilisateur et les autocollants d'avertissement sur ce véhicule. Si disponible dans votre secteur, suivez une formation sur la sécurité dans les espaces ouverts. Pratiquez-vous à basse vitesse. Des vitesses plus élevées nécessitent une plus grande expérience, des connaissances et des conditions de conduite appropriées. Familiarisez-vous complètement avec les commandes opérationnelles et le fonctionnement général du véhicule.

Ce véhicule est pour ADULTES SEULEMENT. La conduite est interdite à toute personne de moins de 16 ans. L'opérateur doit être suffisamment grand pour être correctement assis contre le dossier avec la ceinture de sécurité bouclée, pour tenir le volant avec les 2 mains et être en mesure d'atteindre de plein pied les pédales de freins et de l'accélérateur avec le pied droit, et pouvoir planter fermement le pied gauche sur le repose-pied.

Les conducteurs peuvent être tenus de détenir un permis de conduire approprié, conformément aux lois locales.

Ne transportez jamais un passager si vous jugez que sa capacité ou son jugement est insuffisant pour se concentrer sur les conditions du terrain et s'adapter en conséquence. Plus spécifiquement pour les véhicules côte-à-côte, le passager doit également prêter une attention constante au terrain à venir et être capable de se préparer aux bosses.

## SÉCURITÉ DE L'UTILISATEUR

### Le transport d'un passager

- Ne transportez pas plus de passagers qu'autorisé. Les passagers doivent voyager dans un siège passager.
- Les passagers doivent avoir au moins 12 ans et être suffisamment grands pour toujours être correctement assis contre dossier avec la ceinture de sécurité attachée, en tenant la poignée, les deux pieds fermement plantés sur le véhicule sol.
- Ne transportez jamais un passager qui a consommé de la drogue ou de l'alcool, ou qui est fatigué ou malade. Ces conditions ralentissent le temps de réaction et altèrent le jugement.
- Demandez au passager de lire les étiquettes de sécurité du véhicule.
- Ne transportez jamais un passager si vous jugez que sa capacité ou son jugement est insuffisant pour se concentrer sur le conditions du terrain et s'adapter en conséquence. Plus spécifiquement pour les véhicules côte-à-côte, le passager doit également prêter une attention constante au terrain à venir et être capable de se préparer aux bosses.

# SÉCURITÉ DE L'UTILISATEUR

## Conduisez prudemment

- Ce véhicule n'est pas un jouet et peut être dangereux à utiliser. Ce véhicule se comporte différemment des autres véhicules tels que les motos ou les voitures. Si vous ne prenez pas les précautions appropriées, une collision ou un renversement peut se produire rapidement lors de manœuvres brusques telles que les virages serrés, une accélération ou une décélération, et une conduite sur coteau ou sur des obstacles.
- Ne jamais utiliser à des vitesses excessives. Utilisez toujours une vitesse adaptée au terrain, à la visibilité, aux conditions de fonctionnement et à votre expérience.
- Ne jamais tenter de sauts, de glissades latérales, de « beignes » ou autres cascades.
- Ne jamais tenter une accélération ou décélération rapide lors d'un virage serré. Cela pourrait entraîner un renversement.
- Ne jamais tenter de dérapage ou de glissades. Si le véhicule commence à déraper ou à glisser, contre-braquez dans le sens du dérapage ou du glissement. Sur les surfaces extrêmement glissantes comme la glace, circulez lentement et soyez prudent afin de réduire les risques de dérapage ou de perte de contrôle.
- Toujours vérifier la présence d'obstacles ou de personnes derrière le côté-à-côté avant de faire marche arrière. Portez attention aux angles morts. Lorsqu'il est sécuritaire de faire marche arrière, procédez lentement.
- Ne jamais dépasser les limites de charge indiquées pour ce véhicule. La cargaison doit être correctement arrimée. Réduisez votre vitesse, considérez une plus grande distance de freinage et suivez les autres instructions de ce guide.
- Assurez-vous que la charge est bien répartie dans la boîte de chargement. Sinon, cela pourrait modifier le centre de gravité et entraîner le renversement du véhicule.



## SÉCURITÉ DE L'UTILISATEUR

### **Système de protection contre le renversement (ROPS)**

- Le ROPS de ce véhicule répond aux exigences de performance selon la norme ISO 3471 : 2008. Le ROPS peut limiter les intrusions d'objets extérieurs et réduire votre risque de blessure lors d'un renversement.
- Suivez toujours toutes les pratiques d'utilisation sécuritaires décrites dans ce manuel pour éviter le renversement du véhicule.
- Ne jamais sortir vos mains ou vos pieds à l'extérieur du véhicule en mouvement. Le ROPS ne vous protégera pas de blessures dans tous les cas de renversements.
- En cas de dommages causés au ROPS, toujours le faire inspecter soigneusement par un concessionnaire CFMOTO autorisé.

### **Système de retenue des occupants**

- Ce véhicule est conçu pour transporter un conducteur et un passager, chacun portant un équipement de protection approprié.
- Le conducteur et le passager doivent verrouiller les portes latérales ou les filets latéraux et porter la ceinture de sécurité en tout temps lorsque le véhicule est en mouvement

# SÉCURITÉ DE L'UTILISATEUR

## Conditions du terrain

- Évitez les virages serrés, et les accélérations et freinages brusques lors de passage sur les voies publiques.
- Toujours circuler lentement et être extrêmement prudent lorsque vous circulez sur un terrain inconnu. Soyez toujours attentif aux conditions changeantes du terrain lorsque vous conduisez ce véhicule. Prenez le temps de bien apprendre comment se comporte votre véhicule dans différents environnements.
- Ne circulez jamais sur un terrain extrêmement accidenté, glissant ou meuble avant d'avoir appris et mis en pratique les compétences nécessaires pour contrôler ce véhicule sur un tel terrain. Soyez toujours particulièrement prudent sur ces types de terrain.
- Ne conduisez jamais ce véhicule sur des pentes trop abruptes pour le véhicule ou vos capacités. Pratiquez d'abord sur de petites pentes.
- Toujours suivre les procédures appropriées pour gravir ou descendre une colline. Ne jamais franchir le sommet d'une colline à grande vitesse.
- Ne jamais tenter de gravir des pentes abruptes ou traverser latéralement une pente lorsque vous tirez une remorque.
- Vérifiez toujours s'il y a des obstacles lorsque vous conduisez dans un nouveau secteur. Suivez toujours les procédures appropriées lorsque vous circulez par-dessus des arbres tombés ou autres obstacles.

## **SÉCURITÉ DE L'UTILISATEUR**

- Ne jamais circuler en eau profonde ou vive avec ce véhicule. N'oubliez pas que des freins mouillés peuvent voir leur capacité d'arrêt réduite. Vérifiez toujours vos freins en sortant de l'eau. Si nécessaire, appliquez-les plusieurs fois à basse vitesse pour permettre au frottement de les assécher.
- Veillez toujours à garer correctement le véhicule, sur le terrain le plus plat disponible. Placez le levier de vitesses à la position « PARK », arrêtez le moteur, et retirez la clé avant de quitter le véhicule.
- Ne présumez jamais que votre véhicule ira partout en toute sécurité. Des changements soudains de terrain causés par des trous, des talus, un sol plus mou ou plus dur ou d'autres irrégularités peuvent faire basculer ou devenir instable le véhicule. Pour éviter cela, ralentissez et observez toujours le terrain devant vous. Si le véhicule semble vouloir basculer ou se renverser, le meilleur conseil est de se diriger immédiatement dans la direction du renversement.
- N'essayez pas d'empêcher le retournement avec vos bras ou vos jambes. Gardez toujours les membres à l'intérieur de la cage ROPS.

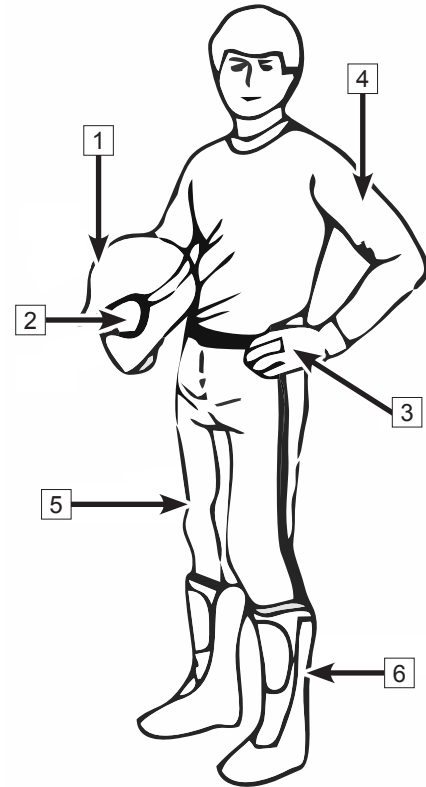
## SÉCURITÉ DE L'UTILISATEUR

### Équipement de conduite sécuritaire

Portez toujours des vêtements adaptés au type de conduite. La conduite de VTT nécessite des vêtements de protection spéciaux pour plus de confort et pour réduire les risques de blessures :

- 1 Un casque homologué
- 2 Protection oculaire
- 3 Gants
- 4 Chemises ou vestes à manches longues
- 5 Pantalons longs
- 6 Cuissardes

Selon la météo réelle, vous aurez peut-être besoin de vêtements supplémentaires, comme des lunettes de protection anti-buée, des sous-vêtements thermiques et un masque pour le froid. L'opérateur ne doit jamais porter de vêtements amples qui pourraient s'emmêler dans le véhicule ou dans les branches d'arbres et d'arbustes.



## SÉCURITÉ DE L'UTILISATEUR

### **Casque et protection oculaire**

Un casque approuvé peut éviter un traumatisme crânien grave en cas d'accident. Veuillez noter que même le meilleur casque ne constitue aucune garantie contre les blessures.

Le casque que vous choisissez doit répondre aux normes de votre pays ou région. Un casque fermé avec écran facial sera plus efficace pour prévenir les impacts d'insectes, de pierres volantes, de poussière et de débris épars, etc.

Un casque ouvert ne peut pas offrir la même protection pour votre visage et votre mâchoire. Veuillez porter des masques et des lunettes amovibles lorsque vous portez un casque ouvert.

Ne comptez pas sur des lunettes ou des lunettes de soleil pour la protection des yeux. Ils ne suffisent pas pour la protection contre les chocs. Des débris peuvent voler ou briser la lentille, provoquant des blessures aux yeux.

Utilisez des visières ou des lunettes teintés uniquement pendant la journée, ne les utilisez pas la nuit ou dans des conditions de faible éclairage. Ils peuvent altérer votre capacité à distinguer les couleurs. Ne les utilisez pas si votre perception des couleurs est affectée.

### **Gants**

Des gants à doigts complets protégeront vos mains du vent, du soleil, de la chaleur, du froid et des éclaboussures. Des gants bien ajustés sont utiles pour diriger et soulager la fatigue des mains. Si les gants sont trop lourds, il sera difficile de conduire le véhicule.

Une paire de gants tout-terrain solides offre une protection à vos mains en cas d'accident ou de retournement. Les gants de motoneige offrent une meilleure protection lors des opérations dans des zones froides.

## SÉCURITÉ DE L'UTILISATEUR

### **Vestes, pantalons et combinaisons**

Portez une veste ou une chemise à manches longues et un pantalon long, ou une combinaison complète. Un équipement de protection de qualité offrira du confort et peut vous aider à éviter d'être distrait par des éléments environnementaux défavorables. En cas d'accident, un équipement de protection de bonne qualité fabriqué dans un matériau robuste peut prévenir ou réduire les blessures.

En roulant par temps frais, protégez-vous contre l'hypothermie. L'hypothermie, une condition de température corporelle basse, peut entraîner une perte de concentration, un ralentissement des réactions et une perte de mouvements musculaires fluides et précis. Par temps frais, un équipement de protection approprié, comme une veste coupe-vent et des couches de vêtements isolés, est essentiel. Même en roulant à des températures modérées, vous pouvez avoir très froid à cause du vent. Les équipements de protection adaptés à la conduite par temps froid peuvent être trop chauds à l'arrêt. Habillez-vous en couches afin que les vêtements puissent être retirés à votre guise. Le fait de recouvrir l'équipement de protection d'une couche extérieure coupe-vent peut empêcher l'air froid d'atteindre la peau.

### **Bottes**

Portez toujours des bottes fermées. Des cuissardes robustes avec des semelles antidérapantes offrent plus de protection et vous permettent de bien poser votre pied sur les repose-pieds. Évitez les lacets longs qui pourraient s'emmêler dans les composants du véhicule. Pour les conditions de conduite hivernales, les bottes à semelles en caoutchouc avec dessus en nylon ou en cuir et doublures en feutre amovibles sont les mieux adaptées. Évitez les bottes de pluie en caoutchouc. Les bottes de pluie en caoutchouc peuvent se coincer derrière la pédale de frein, nuisant ainsi à son bon fonctionnement.

## SÉCURITÉ DE L'UTILISATEUR

### Autres équipements

#### Équipement de pluie

Lorsque vous roulez par temps pluvieux, une combinaison de pluie ou une combinaison imperméable est recommandée. Lors de longs trajets, c'est une bonne idée d'emporter des vêtements de pluie. Garder les vêtements au sec les rend beaucoup plus confortables et plus alertes.t.

#### Protection auditive

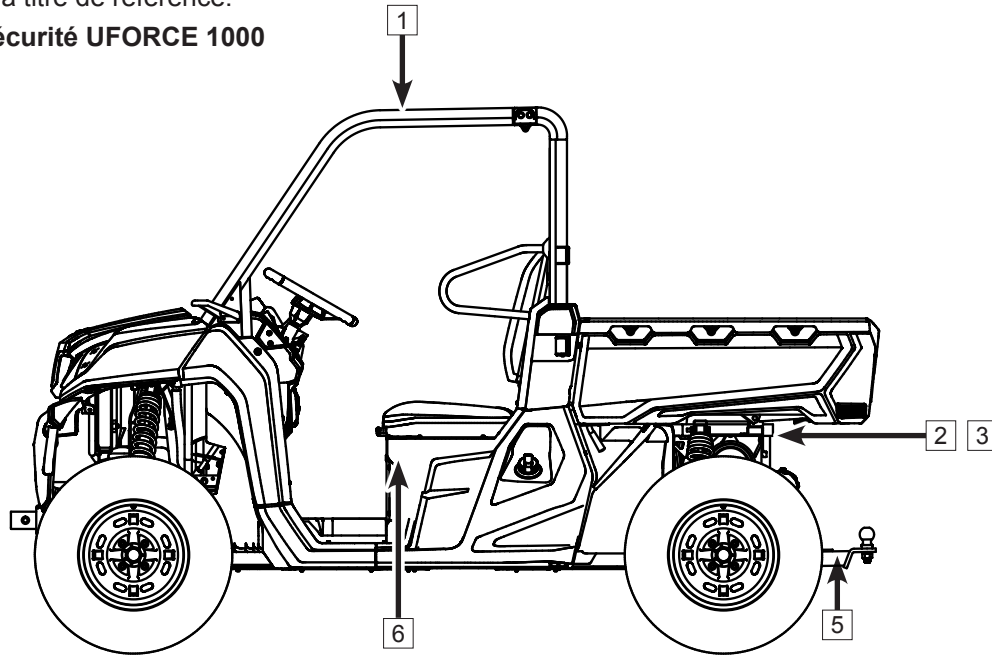
Une exposition prolongée au vent et au bruit du moteur lors de la conduite peut entraîner une perte auditive permanente. Des dispositifs de protection auditive correctement portés, tels que des bouchons d'oreilles, peuvent aider à prévenir la perte auditive. Vérifiez les lois locales avant d'utiliser des appareils de protection auditive.

## SÉCURITÉ DE L'UTILISATEUR

### Étiquettes de sécurité, emplacements et avertissements

Des autocollants d'avertissement ont été placés sur le côté-à-côté pour votre protection. Lisez attentivement et suivez les instructions sur chaque autocollant. Si un autocollant devient illisible ou se détache, contactez votre concessionnaire pour vous en procurer un nouveau. Les étiquettes d'avertissement dans le manuel du propriétaire sont à titre de référence.

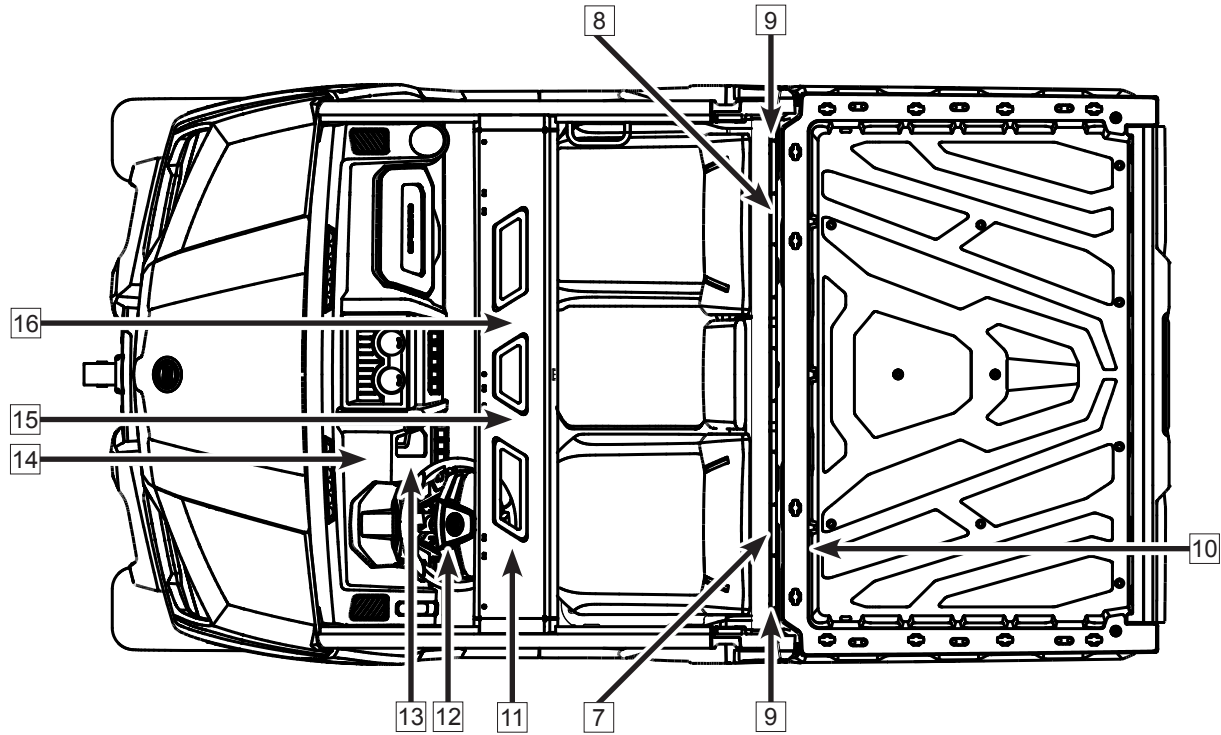
#### Étiquettes de sécurité UFORCE 1000





# SÉCURITÉ DE L'UTILISATEUR

## Étiquettes de sécurité



# SÉCURITÉ DE L'UTILISATEUR

## Étiquettes de sécurité

1



2



3

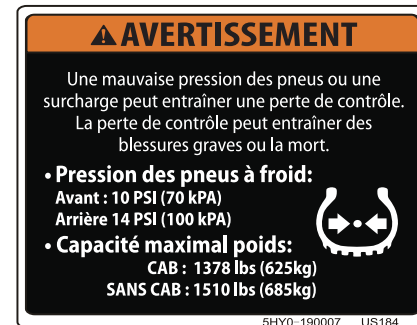


← Applicable aux États-Unis seulement

5



6



# SÉCURITÉ DE L'UTILISATEUR

## Étiquettes de sécurité

9

**AVERTISSEMENT**



Gardez les mains, le corps et les personnes à bonne distance lorsque vous fermez la porte de la benne. Ne vous appuyez pas sur la carrosserie lorsque vous fermez la benne.

6HY0-190006 US17A

7

**AVERTISSEMENT**



Cette position correspond à l'écran filtrant de l'entrée CVT. Lorsque vous utilisez le véhicule, l'écran filtrant doit être vérifié; démontez et nettoyez si nécessaire, sinon la durée de vie de la courroie CVT sera affectée.

6HY0-190019 US182

8

**AVERTISSEMENT**



Cette position correspond à l'écran filtrant de l'entrée d'air. Lorsque vous utilisez le véhicule, l'écran filtrant doit être vérifié; démontez et nettoyez si nécessaire, sinon les performances du moteur seront affectées.

6HY0-190018 US182

12

**SORTIE DE LA POIGNÉE DE CONTRÔLE DU TREUIL**



6HY0-190021 US182

11

**AVERTISSEMENT**

Une mauvaise utilisation des véhicules tout terrain peut provoquer des blessures graves voire la mort. Soyez préparé :

- Attachez les ceintures de sécurité.
- Portez un casque homologué et un équipement de protection.
- Chaque passager doit être en mesure de s'asseoir bien adossés au siège. Les pieds à plat sur le sol et les mains sur le volant ou les poignées.
- Demeurez complètement à l'intérieur de l'habitacle du véhicule en tout temps.

Les renversements sont reconnus avoir causé des blessures graves et la mort, même sur des surfaces vastes et planes.

Évitez les pertes de contrôle et les renversements :

- Évitez les manœuvres brusques. Les glissements latéraux, les dérapages ou les queues de poisson ne jamais faire de bégnies.
- Évitez les accélérations brusques lors des virages, même au décollage d'un arrêt.
- Ralentissez avant d'amorcer une courbe.
- Soyez préparés pour les collines, terrains accidentés, ornières et autres changements de traction et de terrain. Évitez les surfaces pavées.
- Évitez de traverser latéralement des pentes.
- Lisez le guide de l'opérateur et les étiquettes de sécurité et regardez la vidéo de sécurité. Suivez toutes les instructions et avertissements.

Assurez-vous que les passagers sont attentifs et prévoyez d'avance. Si vous pensez ou sentez que le véhicule pourrait basculer ou se renverser, réduisez vos risques de blessure :

- Appuyez fermement le volant ou les poignées et préparez-vous.
- Ne jamais sortir aucune partie de corps à l'extérieur de l'habitacle, pour quelque raison que ce soit.
- NE JAMAIS attacher la cage pour tirer une charge. Cela peut faire basculer le véhicule.




6HY0-190024 US184

10

**AVERTISSEMENT**

Des **BLESSURES GRAVES** ou la **MORT** peuvent survenir si nous ne respectez pas les consignes suivantes :

- Charge maximale dans la boîte de chargement : 771 lb (350 kg).
- Ne transportez jamais de passagers dans la boîte de chargement.
- La cargaison peut affecter la manutention et la stabilité. Lisez le guide de l'utilisateur avant de charger ou de remorquer.
- Lorsque chargé de marchandise ou d'une remorque chargée : réduisez la vitesse et accordez-vous plus de distance de freinage. Évitez les collines et les terrains accidentés.
- Assurez-vous que toute cargaison est bien arrimée. Une charge non ou mal arrimée pourrait modifier de façon inattendue la maniabilité du véhicule.
- Dans la boîte de chargement, assurez-vous de maintenir la charge au centre, le plus bas et le plus à l'avant possible. Les charges lourdes et hautes augmentent le risque de renversement.



6HY0-190005 US184

14

**AVERTISSEMENT**



- Pour éviter des dommages à la transmission, embraquez seulement lorsque le véhicule est immobilisé et que le moteur tourne au ralenti.

**COMMENCEZ PAR APPLIQUER LES FREINS**

- Lorsque ce véhicule est inactif ou laissez sans surveillance, placez le levier de vitesse à la position de stationnement (P).
- Appliquez les freins et immobilisez le véhicule avant d'utiliser le levier de vitesse, le commutateur 2WD/4WD et le commutateur de verrouillage du différentiel.

---

- Utilisez la basse vitesse (Low) si la charge utile totale excède 584 lb (265 kg)
- La charge utile totale inclut l'opérateur, le passager, le chargement, les accessoires et la remorque

6HY0-190017 US184

13

**AVERTISSEMENT**

Exigez une utilisation appropriée de votre véhicule. Faites votre part pour éviter les blessures :

- Ne permettez pas une conduite négligente ou téméraire. Assurez-vous que les opérateurs ont 16 ans ou plus avec un permis de conduire valide.
- Ne laissez personne conduire ou monter après avoir consommé de l'alcool ou des drogues.
- Ne pas autoriser l'utilisation sur la voie publique - des collisions avec des voitures et des camions peuvent survenir.
- Ne jamais conduire avec un passager âgé de moins de 12 ans. Tout passager doit être en mesure de s'asseoir avec le dos bien adossé au siège, les deux pieds à plat sur le sol et les deux mains sur le volant (si conducteur) ou sur une poignée de passager.



6HY0-190002 US184

# SÉCURITÉ DE L'UTILISATEUR

## Étiquettes de sécurité

15

**⚠ AVERTISSEMENT**


Toute partie de votre corps (bras, jambes ou tête) à l'extérieur du véhicule peut être écrasée par la cage / le cadre.

Si vous pensez ou sentez que le véhicule peut basculer ou rouler, calez vos pieds sur les planches du plancher et gardez vos mains sur les poignées.

N'essayez pas d'arrêter le basculement d'un véhicule en utilisant vos bras ou vos jambes.

L'enceinte ne peut pas protéger les occupants dans tous les accidents prévisibles, y compris le retournement.

Ne posez pas les mains sur la porte ou la barre de serrage de la hanche. Pour éviter les blessures, gardez les mains complètement à l'intérieur du véhicule en tenant le volant ou les poignées



5HY0-190003 US184

16

**⚠ AVERTISSEMENT**

Toute partie de votre corps (bras, jambes ou tête) à l'extérieur du véhicule peut être écrasée par la cage / le cadre.

Si vous pensez ou sentez que le véhicule peut basculer ou rouler, calez vos pieds sur les planches du plancher et gardez vos mains sur les poignées.

N'essayez pas d'arrêter le basculement d'un véhicule en utilisant vos bras ou vos jambes.

L'enceinte ne peut pas protéger les occupants dans tous les accidents prévisibles, y compris le retournement.

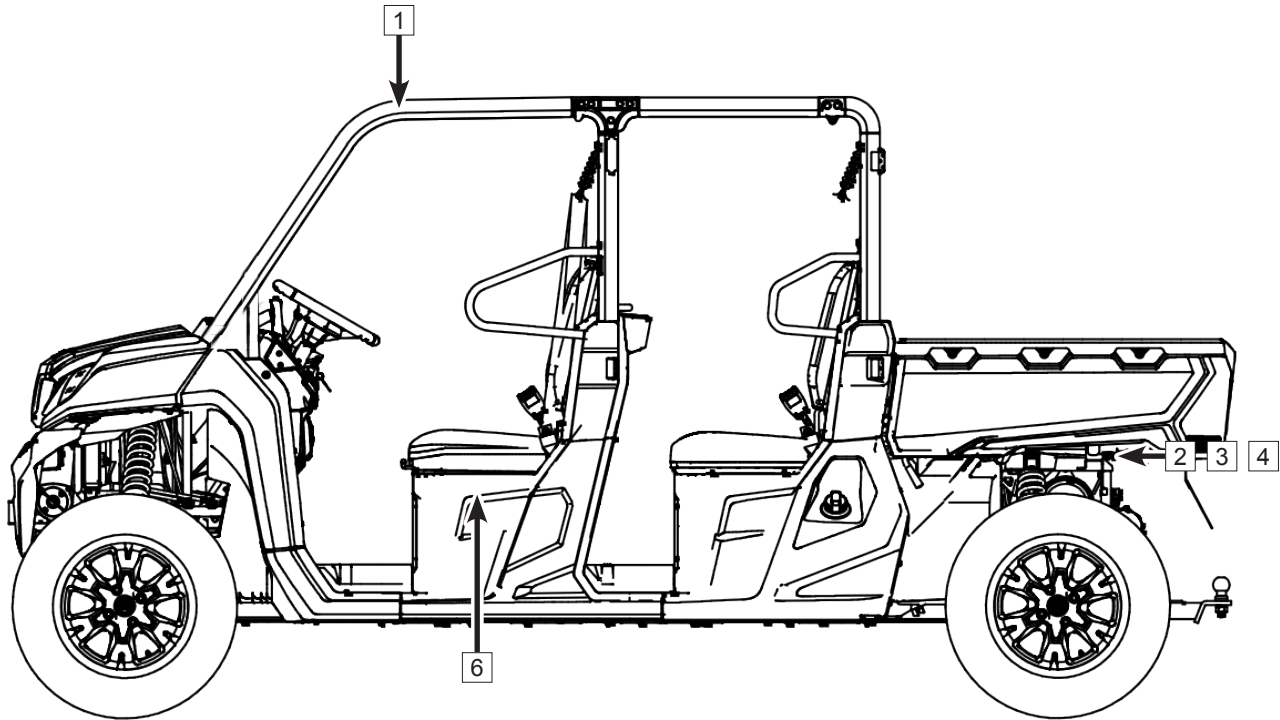
Ne posez pas les mains sur la porte ou la barre de serrage de la hanche. Pour éviter les blessures, gardez les mains complètement à l'intérieur du véhicule en tenant le volant ou les poignées



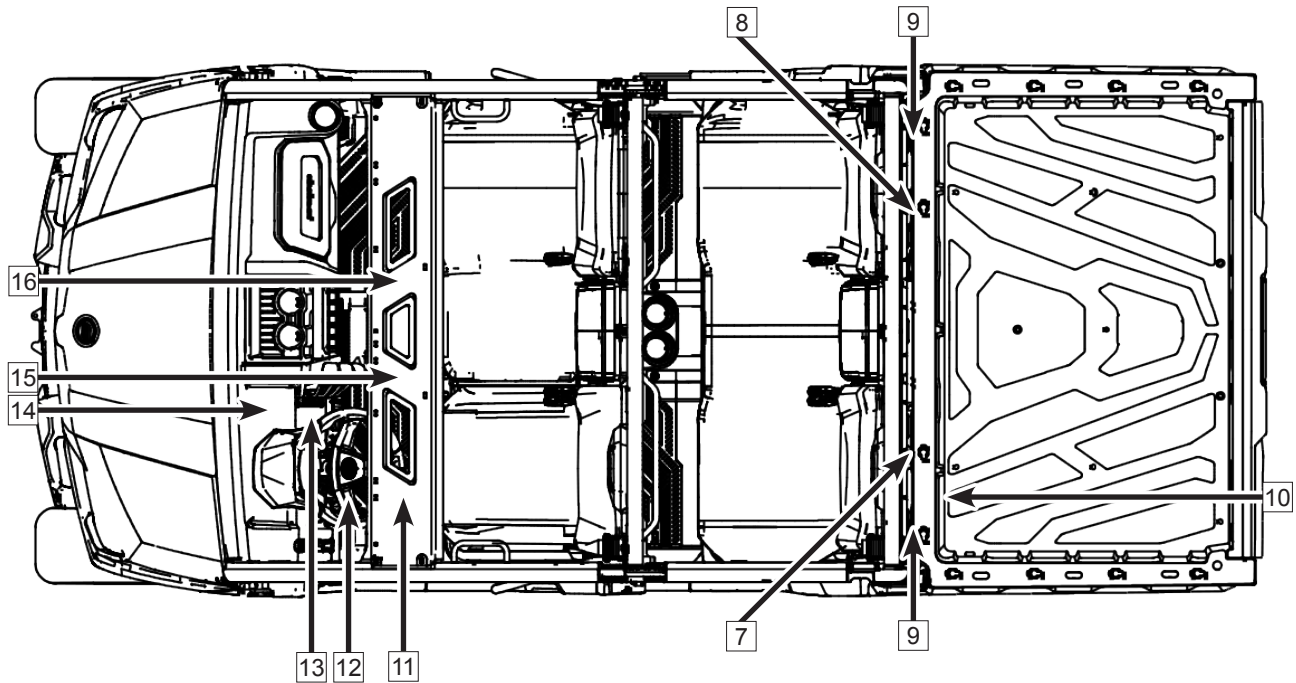
5HY0-190004 US184

# SÉCURITÉ DE L'UTILISATEUR

## Étiquettes de sécurité UFORCE 1000 XL



## SÉCURITÉ DE L'UTILISATEUR



# SÉCURITÉ DE L'UTILISATEUR

## Étiquettes de sécurité

1

**Le ROPS répond aux exigences de performance d'ISO 3471:2008. Modèle de véhicule : CF1000UZ-2 CF1000U-2 M = 1000 kg pour ISO 3471:2008**

5SVV-190101-6001 US218

2

**NOTICE**

**Check engine oil every 500 kilometers (310 miles)**  
Vérifier le niveau d'huile moteur tous les 500 kilomètres (310 miles)

905B-190413-US13C

3

CFMOTO Powersports, Inc. certifies that this Recreational Off-Highway Vehicle complies with the current voluntary and applicable American National Standards for ANSI/ROHVA safety standards of the U.S. Consumer Product Safety Commission.

SHY0-190009-1 US189

← Applicable aux États-Unis seulement

4

**WARNING**

**REMOVAL OF THIS MUFFLER IS A VIOLATION OF CLEAN AIR ACT § 203 AND CONSIDERED TAMPERING. VIOLATORS ARE SUBJECT TO A FEDERAL FINE OF UP TO \$37,500 PER OCCURRENCE.**

9CR6-190204 US1311

↑ Applicable aux États-Unis.  
Toutefois, une législation environnementale similaire régit les véhicules circulant sur le territoire canadien et des amendes peuvent également s'appliquer.

5

**AVERTISSEMENT**

Le chargement incorrect d'une remorque peut provoquer une perte de contrôle du véhicule et causer des blessures graves ou la mort.

- Masse maximale de remorque non freinée 2500 lbs (1134kg)
- Masse maximale sur la flèche de remorque non freinée 99 lbs (45kg)

5HYV-190008-1H00 US233

6

**AVERTISSEMENT**

Une mauvaise pression des pneus ou une surcharge peut entraîner une perte de contrôle. La perte de contrôle peut entraîner des blessures graves ou la mort.

Pression des pneus à froid :

	3 OCCUPANTS	6 OCCUPANTS
AVANT	14 PSI (100kPa)	17 PSI (120kPa)
ARRIÈRE	17 PSI (120kPa)	22 PSI (150kPa)

SHY0-190007 US184

# SÉCURITÉ DE L'UTILISATEUR

## Étiquettes de sécurité

**9**

**AVERTISSEMENT**



Gardez les mains, le corps et les personnes à bonne distance lorsque vous fermez la porte de la benne. Ne vous appuyez pas sur la carrosserie lorsque vous fermez la benne.

SHY0-190006 US17A

**7**

**AVERTISSEMENT**



Cette position correspond à l'écran filtrant de l'entrée CVT. Lorsque vous utilisez le véhicule, l'écran filtrant doit être vérifié, démonté et nettoyé si nécessaire, sinon la durée de vie de la courroie CVT sera affectée.

SHY0-190019 US182

**8**

**AVERTISSEMENT**



Cette position correspond à l'écran filtrant de l'entrée d'air. Lorsque vous utilisez le véhicule, l'écran filtrant doit être vérifié, démonté et nettoyé si nécessaire, sinon les performances du moteur seront affectées.

SHY0-190018 US182

**12**

**SORTIE DE LA POIGNÉE DE CONTRÔLE DU TREUIL**



SHY0-190021 US182

**11**

**AVERTISSEMENT**

Une mauvaise utilisation des véhicules tout terrain peut provoquer des blessures graves, voire la mort. Soyez préparé :

- Attachez les ceintures de sécurité.
- Portez un casque homologué et un équipement de protection.
- Chaque passager doit être en mesure de s'asseoir bien adossés au siège, les pieds à plat sur le sol et les mains sur le volant ou les poignées.
- Demeurez complètement à l'intérieur de l'habitacle du véhicule en tout temps.

Les renversements sont reconnus avoir causé des blessures graves et la mort, même sur des surfaces vastes et planes.

Évitez les pertes de contrôle et les renversements :

- Évitez les manœuvres brusques, les glissements latéraux, les dérapages ou les queues de poisson et ne jamais faire de boîtes.
- Évitez les accélérations brusques lors des virages, même au démarrage d'un virage.
- Rafraîchissez avant d'arrêter une course.
- Soyez préparés pour les collines, terrains accidentés, arrières et autres changements de traction et de terrain. Évitez les surfaces pavées.
- Évitez de traverser latéralement des ponts.

Lisez le guide de l'opérateur et les étiquettes de sécurité et regardez la vidéo de sécurité. Suivez toutes les instructions et avertissements

Assurez-vous que les passagers sont attentifs et prêts à l'avance. Si vous pensez ou sentez que le véhicule pourrait basculer ou se renverser, réduisez vos risques de blessure :

- Rapprochez fermement le volant ou les poignées et préparez-vous.
- Ne jamais ouvrir aucune partie de corps à l'extérieur de l'habitacle, pour quelque raison que ce soit.
- NE JAMAIS attacher à la cape pour tirer une charge. Cela peut faire basculer le véhicule.





SHY0-190004 US183

**10**

**AVERTISSEMENT**

Des BLESSURES GRAVES ou la MORT peuvent survenir si nous ne respectez pas les consignes suivantes :

- Charge maximale dans la boîte de chargement : 771 lb (350 kg).
- Ne transportez jamais de passagers dans la boîte de chargement.
- La cargaison peut affecter la manutention et la stabilité. Lisez le guide de l'utilisateur avant de charger ou de remorquer.
- Lorsque chargé de marchandise ou d'une remorque chargée : réduisez la vitesse et accordez-vous plus de distance de freinage. Évitez les collines et les terrains accidentés.
- Assurez-vous que toute cargaison est bien arrimée. Une charge non ou mal arrimée pourrait modifier de façon inattendue la maniabilité du véhicule.
- Dans la boîte de chargement, assurez-vous de maintenir la charge au centre, le plus bas et le plus à l'avant possible. Les charges lourdes et hautes augmentent le risque de renversement.



SHY0-190005 US184

**14**

**AVERTISSEMENT**

**R N H L**

- Pour éviter des dommages à la transmission, embraquez seulement lorsque le véhicule est immobilisé et que le moteur tourne au ralenti.

**COMMENCEZ PAR APPLIQUER LES FREINS**

- Lorsque ce véhicule est inactif ou laissez sans surveillance, placez le levier de vitesse à la position de stationnement (P).
- Appliquez les freins et immobilisez le véhicule avant d'utiliser le levier de vitesse, le commutateur 2WD/4WD et le commutateur de verrouillage du différentiel.

- Utilisez la basse vitesse (Low) si la charge utile totale excède 860 lbs (390 kg)
- La charge utile totale inclut l'opérateur, le passager, le chargement, les accessoires et la remorque

SHY0-190017 US184

**13**

**AVERTISSEMENT**

**Exigez une utilisation appropriée de votre véhicule.**  
Faites votre part pour éviter les blessures :

- Ne permettez pas une conduite négligente ou téméraire. Assurez-vous que les opérateurs ont 16 ans ou plus avec un permis de conduire valide.
- Ne laissez personne conduire ou monter après avoir consommé de l'alcool ou des drogues.
- Ne pas autoriser l'utilisation sur la voie publique - des collisions avec des voitures et des camions peuvent survenir.
- Ne jamais conduire avec un passager âgé de moins de 12 ans. Tout passager doit être en mesure de s'asseoir avec le dos bien adossé au siège, les deux pieds à plat sur le sol et les deux mains sur le volant (si conducteur) ou sur une poignée de passager.

**DRIVER UNDER 16**



SHY0-190002 US184



# SÉCURITÉ DE L'UTILISATEUR

## Étiquettes de sécurité


**⚠ AVERTISSEMENT**

Toute partie de votre corps (bras, jambes ou tête) à l'extérieur du véhicule peut être écrasée par la cage / le cadre.

Si vous pensez ou sentez que le véhicule peut basculer ou rouler, calez vos pieds sur les planches du plancher et gardez vos mains sur les poignées.

N'essayez pas d'arrêter le basculement d'un véhicule en utilisant vos bras ou vos jambes. L'enceinte ne peut pas protéger les occupants dans tous les accidents prévisibles, y compris le retournement.

Ne posez pas les mains sur la porte ou la barre de serrage de la hanche. Pour éviter les blessures, gardez les mains complètement à l'intérieur du véhicule en tenant le volant ou les poignées



SHY0-190003 US184

**⚠ AVERTISSEMENT**

Toute partie de votre corps (bras, jambes ou tête) à l'extérieur du véhicule peut être écrasée par la cage / le cadre.

Si vous pensez ou sentez que le véhicule peut basculer ou rouler, calez vos pieds sur les planches du plancher et gardez vos mains sur les poignées. N'essayez pas d'arrêter le basculement d'un véhicule en utilisant vos bras ou vos jambes. L'enceinte ne peut pas protéger les occupants dans tous les accidents prévisibles, y compris le retournement.

Ne posez pas les mains sur la porte ou la barre de serrage de la hanche. Pour éviter les blessures, gardez les mains complètement à l'intérieur du véhicule en tenant le volant ou les poignées



SHY0-190004 US184

## SÉCURITÉ DE L'UTILISATEUR

### **Avertissements de danger potentiel**

#### **AVERTISSEMENT**

##### **DANGER POTENTIEL :**

Conduire ce véhicule sans instructions appropriées.

##### **CONSÉQUENCES POSSIBLES :**

Le risque d'accident est considérablement accru si l'opérateur ne sait pas comment conduire correctement le véhicule dans différentes situations et sur différents types de terrain..

##### **COMMENT ÉVITER LE DANGER :**

Les opérateurs débutants et inexpérimentés doivent suivre une formation certifiée offerte par un concessionnaire autorisé. Les opérateurs devraient pratiquer régulièrement les compétences acquises lors de cette formation et les techniques de conduite décrites dans le Guide de l'utilisateur.

#### **AVERTISSEMENT**

##### **DANGER POTENTIEL :**

Ne pas respecter les recommandations d'âge pour ce véhicule.

##### **CONSÉQUENCES POSSIBLES :**

Des blessures graves, voire mortelles, peuvent survenir si un enfant en deçà de l'âge minimal recommandé utilise ce véhicule. Même si un enfant se trouve dans la tranche d'âge recommandée pour conduire un côte-à-côte, il pourrait ne pas avoir la compétence, la capacité ou le jugement pour le conduire en toute sécurité et pourrait être susceptible d'avoir un accident ou de se blesser.

##### **COMMENT ÉVITER LE DANGER :**

La conduite d'un côte-à-côte est interdite à toute personne de moins de 16 ans.

## SÉCURITÉ DE L'UTILISATEUR

### AVERTISSEMENT

#### **DANGER POTENTIEL :**

Transporter plus de passagers que la capacité du véhicule.

#### **CONSÉQUENCES POSSIBLES :**

Un passager qui n'est pas assis dans le véhicule pourrait être éjecté de manière inattendue ou entrer en contact avec des composantes en mouvement, ce qui peut causer des blessures graves voire la mort.

#### **COMMENT ÉVITER LE DANGER :**

Ne jamais permettre le transport de plus de passagers que la capacité de sièges du véhicules.

### AVERTISSEMENT

#### **DANGER POTENTIEL :**

Utiliser ce véhicule sur des surfaces pavées telles que des trottoirs, des sentiers, des stationnements ou des voies publiques (rues et autoroutes).

#### **CONSÉQUENCES POSSIBLES :**

Les pneus tout-terrain sont conçus pour une utilisation hors route. La conduite sur des surfaces pavées affecte grandement le comportement du véhicule, ce qui peut entraîner une perte de contrôle et/ou un accident.

#### **COMMENT ÉVITER LE DANGER :**

Ne conduisez jamais sur des surfaces pavées. Si cela est inévitable, ralentissez et n'effectuez pas de virages ou de freinages brusques.

Ne circulez jamais sur la voie publique ou dans les rues si cela n'est pas autorisé par la loi. Vérifiez les lois locales pour déterminer s'il est légal de le faire.

## SÉCURITÉ DE L'UTILISATEUR

### AVERTISSEMENT

#### **DANGER POTENTIEL :**

Conduire ce véhicule sans porter de casque, de protection oculaire et de vêtements de protection approuvés.

#### **CONSÉQUENCES POSSIBLES :**

Opérer sans casque approuvé augmente le risque de blessures graves à la tête ou de décès en cas d'accident. La conduite sans protection oculaire augmente le risque d'accident ou de blessure grave aux yeux en cas d'accident. La conduite sans vêtements de protection augmente le risque de blessure grave en cas d'accident.

#### **COMMENT ÉVITER LE DANGER :**

Ne jamais conduire un ce véhicule sans porter un casque homologué et bien ajusté. Toujours porter une protection oculaire (lunettes ou écran facial), des gants, des bottes, une chemise ou une veste à manches longues, un pantalon long.

### AVERTISSEMENT

#### **DANGER POTENTIEL :**

Conduire le véhicule après avoir consommé de l'alcool ou des drogues.

#### **CONSÉQUENCES POSSIBLES :**

La consommation d'alcool et/ou de drogues avant et/ou pendant la conduite pourrait entraîner un accident causant des blessures graves, voire mortelles.

#### **COMMENT ÉVITER LE DANGER :**

Ne consommez jamais d'alcool ou de drogues avant ou pendant la conduite du véhicule.

## SÉCURITÉ DE L'UTILISATEUR

### AVERTISSEMENT

#### **DANGER POTENTIEL :**

Ne consommez jamais d'alcool ou de drogues avant ou pendant la conduite du véhicule

#### **CONSÉQUENCES POSSIBLES :**

Une vitesse excessive augmente le risque de perte de contrôle de l'opérateur, ce qui peut entraîner un accident.

#### **COMMENT ÉVITER LE DANGER :**

Toujours circuler à une vitesse appropriée pour le terrain, la visibilité, les conditions et votre expérience.

### AVERTISSEMENT

#### **DANGER POTENTIEL :**

Tenter d'effectuer des glissades, de faire des sauts et autres cascades.

#### **CONSÉQUENCES POSSIBLES :**

Tenter d'effectuer des cascades augmente les risques d'accident, incluant un renversement.

#### **COMMENT ÉVITER LE DANGER :**

Ne jamais tenter d'effectuer des glissades, de faire des sauts et autres cascades.

## SÉCURITÉ DE L'UTILISATEUR

### AVERTISSEMENT

#### **DANGER POTENTIEL :**

Défaut d'inspecter le véhicule avant de l'utiliser. Défaut d'entretenir correctement le véhicule.

#### **CONSÉQUENCES POSSIBLES :**

Un mauvais entretien augmente le risque d'accident ou de dommages matériels.

#### **COMMENT ÉVITER LE DANGER :**

Inspectez toujours votre véhicule avant chaque utilisation pour vous assurer qu'il est en bon état de fonctionnement.

Suivez toujours les procédures et les calendriers d'inspection et d'entretien décrits dans le manuel du propriétaire.

### AVERTISSEMENT

#### **DANGER POTENTIEL :**

Étendre les bras, les mains ou les jambes à l'extérieur des barres ROPS du véhicule pendant qu'il roule.

#### **CONSÉQUENCES POSSIBLES :**

Des blessures graves aux bras, aux mains ou aux jambes peuvent survenir si le véhicule se renverse ou bascule lors d'un accident.

#### **COMMENT ÉVITER LE DANGER :**

Toujours garder les bras, les mains ou les jambes à l'intérieur du véhicule, les mains sur le volant ou la poignée et les deux pieds sur les repose-pieds du véhicule pendant qu'il roule.

## SÉCURITÉ DE L'UTILISATEUR

### AVERTISSEMENT

#### **DANGER POTENTIEL :**

Ne pas redoubler de prudence lors de l'utilisation du côte-à-côte sur un terrain inconnu.

#### **CONSÉQUENCES POSSIBLES :**

Un terrain inconnu peut contenir des roches, des bosses ou des trous cachés qui pourraient entraîner une perte de contrôle ou un renversement du véhicule.

#### **COMMENT ÉVITER LE DANGER :**

Déplacez-vous lentement et soyez particulièrement prudent lorsque vous travaillez sur un terrain inconnu. Soyez toujours attentif aux conditions changeantes du terrain.

### AVERTISSEMENT

#### **DANGER POTENTIEL :**

Virage inadéquat.

#### **CONSÉQUENCES POSSIBLES :**

Un virage inadéquat peut entraîner la perte de contrôle du véhicule et mener à un accident ou un renversement du véhicule.

#### **COMMENT ÉVITER LE DANGER :**

Toujours suivre les procédures appropriées de virage telles que décrites dans ce guide. Exercez-vous à effectuer les virages à basse vitesse avant de les tenter à plus grande vitesse. Ne jamais effectuer les virages à des vitesses excessives.

## SÉCURITÉ DE L'UTILISATEUR

### AVERTISSEMENT

#### **DANGER POTENTIEL :**

Ne pas redoubler de prudence lors de l'utilisation du côte-à-côte sur un terrain excessivement accidenté, glissant ou mou.

#### **CONSÉQUENCES POSSIBLES :**

La conduite d'un côte-à-côte sur un terrain excessivement accidenté, glissant ou mou pourrait causer une perte de traction ou de contrôle, qui pourrait entraîner un accident ou un renversement du véhicule.

#### **COMMENT ÉVITER LE DANGER :**

Ne conduisez pas sur un terrain excessivement accidenté, glissant ou meuble avant d'avoir pratiqué et acquis les compétences nécessaires pour contrôler le véhicule sur un tel terrain. Soyez toujours très prudent sur les terrains accidentés, glissants ou meubles.



## SÉCURITÉ DE L'UTILISATEUR

### AVERTISSEMENT

#### **DANGER POTENTIEL :**

Gravir incorrectement des pentes ou gravir des pentes excessivement abruptes.

#### **CONSÉQUENCES POSSIBLES :**

Gravir incorrectement une pente peut entraîner une perte de contrôle ou un renversement du véhicule.

#### **COMMENT ÉVITER LE DANGER :**

Ne conduisez jamais sur des pentes trop raides pour le véhicule ou pour vos capacités. Entraînez-vous sur des collines plus petites avant de tenter de grandes collines. Vérifiez toujours soigneusement le terrain avant de gravir une colline. Ne gravissez jamais de collines dont les surfaces sont excessivement glissantes ou meubles. N'ouvrez jamais brusquement l'accélérateur lors d'une montée. Le véhicule pourrait basculer en arrière. Ne franchissez jamais le sommet d'une colline à grande vitesse. Un obstacle, une chute abrupte, un autre véhicule ou une personne pourrait se trouver de l'autre côté de la colline.

## SÉCURITÉ DE L'UTILISATEUR

### AVERTISSEMENT

#### **DANGER POTENTIEL :**

Descendre des pentes excessivement abruptes.

#### **CONSÉQUENCES POSSIBLES :**

Descendre incorrectement une pente peut entraîner une perte de contrôle ou un renversement du véhicule.

#### **COMMENT ÉVITER LE DANGER :**

Ne jamais conduire sur des pentes trop abruptes pour vos capacités. Pratiquez sur des pentes modérées avant de tenter la conduite sur des pentes plus abruptes. Toujours vérifier soigneusement le terrain avant d'entamer la descente d'une pente. Ne descendez jamais une pente dont le terrain est trop glissant ou meuble.

#### **REMARQUE :**

Vérifiez toujours soigneusement le terrain avant de descendre une colline. Ne descendez jamais une colline à haute vitesse. Évitez de descendre une colline en biais. Descendez toujours en ligne droite lorsque possible.

## SÉCURITÉ DE L'UTILISATEUR

### AVERTISSEMENT

#### **DANGER POTENTIEL :**

Traverser des collines de manière inappropriée et tourner dans des collines.

#### **CONSÉQUENCES POSSIBLES :**

Traverser ou tourner incorrectement dans une pente pourrait entraîner une perte de contrôle ou un renversement..

#### **COMMENT ÉVITER LE DANGER :**

Soyez extrêmement prudent lorsque vous tournez dans une pente. Évitez de traverser le flanc d'une colline raide.

#### **EN TRAVERSANT LE FLANC D'UNE COLLINE :**

Suivez toujours les procédures appropriées décrites dans le manuel du propriétaire. Évitez les collines avec des surfaces excessivement glissantes ou meubles.

## SÉCURITÉ DE L'UTILISATEUR

### AVERTISSEMENT

#### **DANGER POTENTIEL :**

Caler, reculer en montant une colline.

#### **CONSÉQUENCES POSSIBLES :**

Le véhicule pourrait se renverser.

#### **COMMENT ÉVITER LE DANGER :**

Maintenez une vitesse constante tout au long de l'ascension.

#### **SI TOUTE LA VITESSE EST PERDUE :**

Relâchez l'accélérateur. Appliquez le frein. À l'arrêt complet, placez le sélecteur de vitesse en position stationnement.

#### **SI LE VÉHICULE COMMENCE À ROULER À REÇULONS :**

N'appliquez jamais la puissance du moteur. Appuyez avec précaution sur la pédale de frein tout en roulant vers l'arrière. Lorsqu'il est complètement arrêté, maintenez le frein serré, placez le sélecteur de vitesse en position de stationnement et déterminez la meilleure façon de changer de vitesse en toute sécurité direction.

## SÉCURITÉ DE L'UTILISATEUR

### AVERTISSEMENT

#### **DANGER POTENTIEL :**

Franchir inadéquatement des obstacles.

#### **CONSÉQUENCES POSSIBLES :**

Franchir inadéquatement des obstacles peut entraîner une perte de contrôle ou un renversement du véhicule.

#### **COMMENT ÉVITER LE DANGER :**

Toujours vérifier la présence d'obstacles avant de circuler dans un nouveau secteur. Lorsque possible, évitez de franchir de grands obstacles tels que des rochers ou des arbres tombés. Sinon, pour franchir des obstacles, toujours suivre les procédures appropriées décrites dans le Guide de l'utilisateur.

### AVERTISSEMENT

#### **DANGER POTENTIEL :**

Dérapage ou glissement.

#### **CONSÉQUENCES POSSIBLES :**

Un dérapage ou un glissement peut entraîner une perte de contrôle. Si les pneus retrouvent de l'adhérence de manière inattendue, le véhicule pourrait se renverser.

#### **COMMENT ÉVITER LE DANGER :**

Sur des surfaces glissantes telles que la glace, déplacez-vous lentement et soyez extrêmement prudent pour réduire le risque de dérapage ou de glissement incontrôlable.

## SÉCURITÉ DE L'UTILISATEUR

### AVERTISSEMENT

#### **DANGER POTENTIEL :**

Surcharge du véhicule ou transport/remorquage inadéquat de marchandise.

#### **CONSÉQUENCES POSSIBLES :**

La surcharge et le remorquage de charge modifient le comportement du véhicule ce qui peut entraîner une perte de contrôle du véhicule ou un accident.

#### **COMMENT ÉVITER LE DANGER :**

Ne jamais dépasser la capacité de charge maximale de ce côte-à-côte, et vous assurer que la charge est correctement répartie et sécuriser. Assurez-vous de réduire votre vitesse et considérez une plus grande distance de freinage. Toujours suivre les instructions du Guide de l'utilisateur pour le transport ou le remorquage de marchandise.

### AVERTISSEMENT

#### **DANGER POTENTIEL :**

Utilisation inadéquate de la marche arrière.

#### **CONSÉQUENCES POSSIBLES :**

Le véhicule pourrait entrer en collision avec un obstacle ou une personne, causant ainsi de graves blessures.

#### **COMMENT ÉVITER LE DANGER :**

Avant de faire marche arrière, toujours vérifier la présence d'obstacles ou de personnes derrière le côte-à-côte. Lorsqu'il est sécuritaire de faire marche arrière, reculez lentement.

## SÉCURITÉ DE L'UTILISATEUR

### AVERTISSEMENT

#### **DANGER POTENTIEL :**

Conduire le véhicule dans des eaux profondes ou à débit rapide.

#### **CONSÉQUENCES POSSIBLES :**

Les pneus pourraient flotter causant ainsi une perte de traction et de contrôle qui pourrait entraîner un accident ou un renversement du véhicule.

#### **COMMENT ÉVITER LE DANGER :**

Évitez de conduire le côte-à-côte dans des eaux profondes ou à débit rapide. S'il est inévitable de circuler dans des eaux qui excèdent la profondeur maximale recommandée, circulez lentement, équilibrez soigneusement votre poids, évitez les mouvements brusques et maintenez un rythme d'avancement lent et régulier. Évitez les virages ou arrêts brusques ainsi que les accélérations brusques. Les freins mouillés peuvent voir leur capacité de freinage réduite. Vérifiez vos freins une fois sortis de l'eau. Si nécessaire, appliquez légèrement les freins de façon répétitive afin de permettre au frottement de les assécher.

### AVERTISSEMENT

#### **DANGER POTENTIEL :**

Conduire avec des pneus inadéquats ou avec des pneus dont la pression est inégale ou inadéquate.

#### **CONSÉQUENCES POSSIBLES :**

L'utilisation de pneus inappropriés ou la conduite du véhicule avec une pression de pneu inappropriée ou inégale pourrait entraîner une perte de contrôle ou un accident.

#### **COMMENT ÉVITER LE DANGER :**

Utilisez toujours la taille et le type de pneus spécifiés dans le manuel du propriétaire. Maintenez toujours une pression de pneu appropriée.

## SÉCURITÉ DE L'UTILISATEUR

### AVERTISSEMENT

#### **DANGER POTENTIEL :**

Conduire le véhicule avec des modifications inappropriées.

#### **CONSÉQUENCES POSSIBLES :**

Une mauvaise installation des accessoires ou une modification du véhicule peut entraîner des changements dans sa maniabilité sur la route et ainsi entraîner un accident.t.

#### **COMMENT ÉVITER LE DANGER :**

Ne jamais modifier un côté-à-côté par une installation ou utilisation inadéquate des accessoires. Toute pièce ou tout accessoire ajouté au véhicule doit être d'origine, ou un composant équivalent conçu pour être utilisé sur ce véhicule et doit être installé et utilisé conformément aux instructions approuvées. Pour de plus amples informations, consultez votre concessionnaire.

### AVERTISSEMENT

#### **DANGER POTENTIEL :**

Conduire sur des plans d'eau gelés.

#### **CONSÉQUENCES POSSIBLES :**

Des blessures graves, voire la mort, peuvent survenir si le véhicule tombe à travers la glace.

#### **COMMENT ÉVITER LE DANGER :**

Ne conduisez jamais le véhicule sur un plan d'eau gelé.



## SÉCURITÉ DE L'UTILISATEUR

### AVERTISSEMENT

Laisser les clés dans le contact peut entraîner une utilisation non autorisée du véhicule qui pourrait occasionner blessures ou décès. Retirer toujours la clé du contact lorsque le véhicule n'est pas utilisé.

### AVERTISSEMENT

Après tout renversement ou accident, demandez au technicien de service qualifié de votre concessionnaire autorisé, d'effectuer une vérification de l'ensemble du véhicule pour détecter d'éventuels dommages y compris, mais non limité à, l'accélérateur, les freins et les systèmes de direction.

### AVERTISSEMENT

La conduite sécuritaire de ce véhicule à conducteur actif nécessite un bon jugement et des compétences physiques. Les personnes atteintes de troubles cognitifs ou de handicaps physiques qui conduisent ce véhicule présentent un risque accru de renversement et de perte de contrôle pouvant entraîner des blessures graves, voire mortelles.

### AVERTISSEMENT

Les composants du système d'échappement sont très chauds pendant et après l'utilisation du véhicule. Les composants chauds peuvent provoquer des incendies ou de graves brûlures. Évitez de toucher aux composants chauds du système d'échappement. Tenir tout matériel combustible loin du système d'échappement en tout temps. Soyez vigilant lorsque vous circulez à travers des prairies à herbes hautes, surtout lorsque l'herbe est sèche.

## CARACTÉRISTIQUE ET COMMANDES

### Commandes principales

#### Frein à main - 1

Ce véhicule est équipé d'un frein à main auxiliaire situé à gauche du volant. Tirer le levier vers l'arrière applique les freins mécaniques et empêche le mouvement du véhicule.

Pour desserrer le frein à main, tirez légèrement le levier de la poignée et appuyez sur le bouton de déverrouillage en haut du niveau, puis poussez le levier dans sa position d'origine.

#### ATTENTION

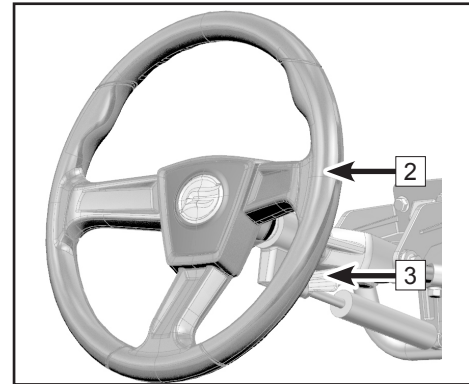
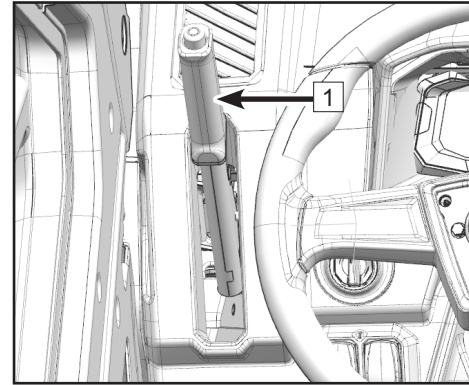
Ne comptez jamais uniquement sur la fonction de stationnement de la transmission si le véhicule est garé sur une colline. Serrez toujours le frein à main et bloquez les roues du côté descendant du véhicule pour empêcher tout mouvement. Il est recommandé de garer le véhicule sur un terrain plat.

Assurez-vous que le frein à main est desserré avant de conduire le véhicule. Conduire sans desserrer le frein à main entraînera l'usure des plaquettes de frein, endommagera le disque de frein et entraînera une défaillance du système de freinage.

Lorsque le véhicule roule et que le frein à main n'est pas complètement desserré, la vitesse sera limitée à 10 km/h.

#### Volant - 2

Le volant est situé devant le siège du conducteur. Utilisez le volant pour tourner le véhicule à gauche ou à droite et manœuvrer le véhicule dans la direction souhaitée.



## CARACTÉRISTIQUE ET COMMANDES

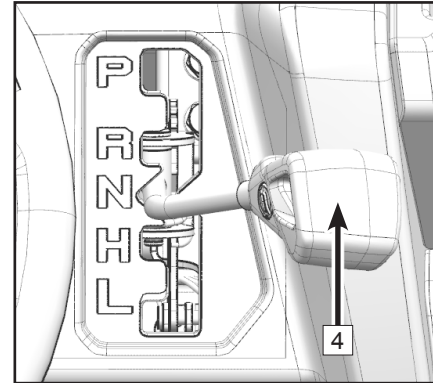
### Levier d'inclinaison et blocage du volant - 3

Une fonction d'inclinaison permet d'ajuster l'angle du volant pour l'adapter à l'opérateur. Tirez sur le levier et réglez le volant pour plus de confort. Relâchez le levier pour verrouiller l'angle d'inclinaison du volant.

### Levier de changement de vitesse - 4

Le levier de changement de vitesses est situé à droite du siège du conducteur. Le levier de changement de vitesses est utilisé pour modifier la sélection du rapport de transmission :

Pour votre sécurité, appuyez sur la pédale de frein avant de changer de vitesse.



**L – Vitesse basse.** La plage de vitesse basse de la boîte de vitesses. Il permet au véhicule de se déplacer lentement avec un couple maximal aux roues.

### ⚠ ATTENTION

Pour éviter d'endommager le système TVC, utilisez toujours un rapport bas pour des vitesses lentes constantes inférieures à 30 km/h, pour tirer une remorque, pour transporter des marchandises lourdes, pour franchir des obstacles ou pour monter et descendre des pentes raides.

**H – Vitesse élevée.** La plage de vitesse élevée de la boîte de vitesses. Il convient aux vitesses de conduite normales supérieures à 30 km/h et permet au véhicule d'atteindre la vitesse maximale.

**N – Neutre.** En position neutre, la puissance du moteur est désactivée.

**R – Marche arrière.** La position marche arrière permet au véhicule de reculer. La vitesse est limitée à 19 mph (30 km/h) en marche arrière.

**P – Stationnement.** La position de stationnement verrouille la boîte de vitesses pour empêcher le véhicule de bouger.

## CARACTÉRISTIQUE ET COMMANDES

### REMARQUE :

En marche arrière, le régime du moteur est limité à une vitesse arrière inférieure à 25 km/h.

 **AVERTISSEMENT**

**Soyez extrêmement prudent en descendant une pente en marche arrière. La gravité peut augmenter la vitesse du véhicule au-dessus de la vitesse de marche arrière limitée définie.**

 **AVERTISSEMENT**

**Passez toujours à la position STATIONNEMENT (P) lorsque le véhicule n'est pas en marche. Le véhicule peut rouler si le levier de vitesses n'est pas réglé sur « P ». Utilisez toujours le frein à main auxiliaire comme mesure de précaution supplémentaire pour empêcher le véhicule de bouger.**

## CARACTÉRISTIQUE ET COMMANDES

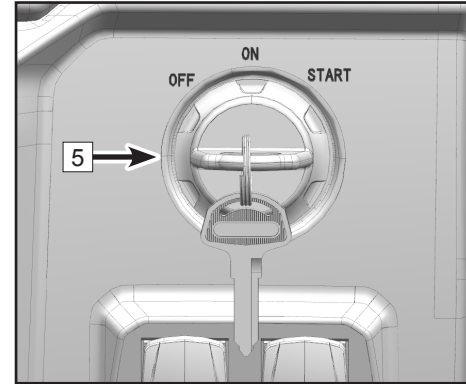
### Interrupteur à clé - 5

L'interrupteur à clé est situé à droite du volant pour allumer le véhicule et démarrer le moteur.

**OFF** : En tournant la clé dans cette position, l'alimentation du véhicule est coupée et le moteur ne démarre pas.

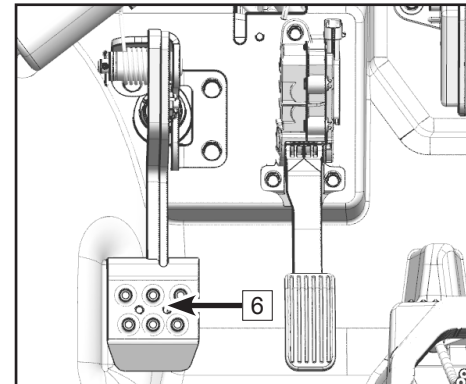
**ON** : En tournant la clé dans cette position, le véhicule est sous tension et la fonction électrique est disponible.

**DÉMARRAGE** : Tournez la clé dans cette position, la source d'alimentation du véhicule est allumée et le démarrage du moteur se produit.



### Pédale de frein - 6

La pédale de frein est située à gauche de la pédale d'accélérateur. Relâchez la pédale d'accélérateur et appuyez sur la pédale de frein avec votre pied pour ralentir ou arrêter le véhicule.



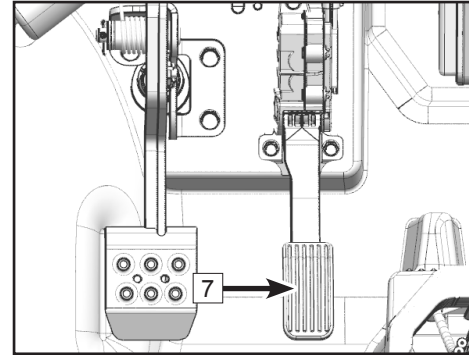
## CARACTÉRISTIQUE ET COMMANDES

### Pédale d'accélérateur électronique - 7

La pédale d'accélérateur électronique est située à droite de la pédale de frein. La pédale d'accélérateur contrôle le régime moteur et la vitesse de véhicule. Pour contrôler la vitesse du véhicule, appuyez sur la pédale d'accélérateur avec votre pied droit. Vérifiez toujours que la pédale fonctionne adéquatement avant d'utiliser votre véhicule.

La pédale d'accélérateur électronique et le boîtier du papillon électronique ont les fonctions suivantes :

1. Fonction de protection de démarrage : le véhicule peut démarrer directement lorsque la transmission est embrayée sur « N » ou « P ». Toutefois, la pédale de frein doit être actionnée pour démarrer le véhicule lorsque la transmission est embrayée sur la vitesse « L » ou « H ».
2. Fonction de neutralisation en marche arrière : la vitesse de véhicule est limitée à 25 km/h lorsqu'il circule en marche arrière.
3. Fonction de ralenti : lorsque la transmission du véhicule est embrayée sur « N », le régime moteur est limité à 5000 tr/min.
4. Fonction priorité de freinage : lorsque le conducteur applique à la fois la pédale de frein et pédale d'accélérateur, le boîtier du papillon électronique coupe automatiquement le moteur et revient ne mode ralenti.
5. Fonction « Limp Home » : lors de la détection de défauts dans le boîtier du papillon électronique ou de la pédale d'accélérateur électronique, le système entre en mode limitation de couple appelée « Limp Home ». En cas de défauts du boîtier du papillon électronique, le moteur entre en mode limitation de couple et le régime en tr/min revient au mode ralenti. En cas de défauts de la pédale d'accélérateur électronique, le véhicule entre en mode « Limp Home » et le régime maximum sera inférieur à 5000 tr/min.






## CARACTÉRISTIQUE ET COMMANDES

### Commandes secondaires

#### Commutateurs et commandes du tableau de bord - 8

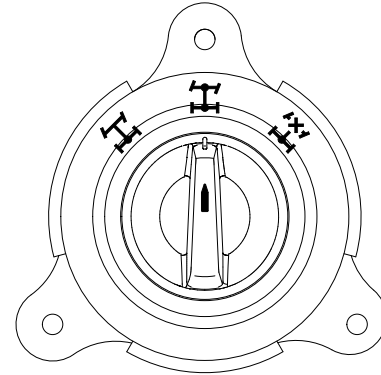
##### Commutateur 2WD / 4WD

Ce véhicule est équipé d'un interrupteur de commande « 2WD »/ « 4WD » et d'un commutateur de verrouillage de différentiel avant « LOCK »/« 4WD » sur le tableau de bord. Sélectionnez le mode de conduite approprié en fonction du terrain et des conditions :

	2WD - Lorsque le commutateur est sur cette position, l'alimentation est fournie uniquement aux roues arrière.
	4WD - Lorsque le commutateur est sur cette position, la puissance est fournie aux roues avant et arrière.
	4WD-LOCK - Lorsque le commutateur est sur cette position, la puissance est fournie aux roues arrière et avant et le différentiel avant est verrouillé. Contrairement au mode 4WD, toutes les roues tournent à la même vitesse.

#### **ATTENTION**


Le véhicule doit être arrêté pour engager ou désengager 2WD/4WD et 4WD-LOCK. Des dommages mécaniques peuvent survenir si le commutateur est engagé ou désengagé pendant la conduite.




## CARACTÉRISTIQUE ET COMMANDES

### Fonctionnement du commutateur 2WD / 4WD / 4WD-LOCK sur commande :

**Passer du 2WD au 4WD :** Arrêtez le véhicule. Tournez l'interrupteur de gauche à droite.

L'indicateur 4WD "" sur le tableau de bord s'allume.

**Pour passer du 4WD au 2WD :** Arrêtez le véhicule. Tournez l'interrupteur du milieu vers la gauche.

L'indicateur 2WD "" sur le tableau de bord s'allume.

**Pour passer au 4WD-LOCK :** Arrêtez le véhicule. Tournez l'interrupteur du milieu vers la droite.

Le blocage de différentiel 2WD/4WD "" sur le tableau de bord s'allume.

### REMARQUE : Fonctionnement du 4WD-LOCK

La direction nécessitera un effort plus important en mode 4WD-LOCK.

Lorsque le commutateur est réglé sur « LOCK », le témoin de verrouillage du différentiel avant clignote jusqu'à ce que le différentiel avant soit verrouillé. Si le voyant clignote, tourner la direction à gauche et à droite aidera le mécanisme de verrouillage du train avant à s'enclencher.




Rouler avant que le blocage du différentiel avant ne soit correctement engagé (par exemple, le voyant clignote) entraînera une limitation du régime moteur jusqu'à ce que l'engagement soit terminé.

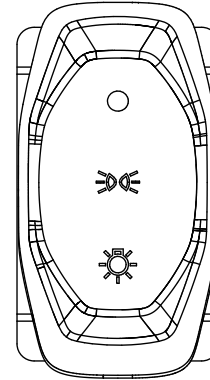


## CARACTÉRISTIQUE ET COMMANDES

### Interrupteur d'éclairage principal

L'interrupteur principal de l'éclairage se compose de 3 positions. Choisissez la position souhaitée en fonction des icônes de fonction :

	Lorsque le commutateur est sur cette position, les feux de route, les feux de position, les feux arrière et les instruments sont allumés.
	Lorsque le commutateur est sur cette position, les feux de jour, les feux arrière et les feux de position avant sont allumés.
	Lorsque le commutateur est sur cette position, seuls les feux de jour sont allumés et tous les autres feux sont éteints.



### **REMARQUE :**

Le commutateur d'allumage doit être tourné sur la position « ON » pour faire fonctionner les phares.



### **ATTENTION**

N'utilisez pas les phares avec le moteur éteint pendant plus de 15 minutes. La batterie peut se décharger à un point tel que le démarreur ne fonctionnera plus correctement. Si cela devait se produire, retirez la batterie et rechargez-la.

## CARACTÉRISTIQUE ET COMMANDES

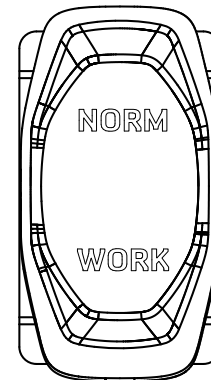
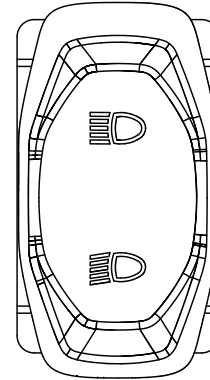
### Feux de croisement / Feux de route

Le commutateur se compose de deux positions. Choisissez la position souhaitée en fonction des icônes de fonction :

	Les feux de route sont activés lorsque le commutateur est dans cette position.
	Les feux de croisement sont activés lorsque le commutateur est dans cette position.

### Changement de mode


<b>WORK</b>	<p>Lorsque le commutateur est sur cette position, le véhicule est en mode « TRAVAIL ». L'affichage du tableau de bord passera également en mode « TRAVAIL ». Le véhicule aura une réponse de l'accélérateur moins agressive pour des démarrages en douceur et est destiné aux sentiers plats, aux terrains durs, etc. À utiliser pour une conduite légère.</p> <p><b>REMARQUE : N'utilisez pas ce mode dans les situations de conduite qui exercent une charge élevée sur la courroie TVC. Des dommages pourraient survenir.</b></p>
<b>NORMAL</b>	<p>Lorsque le commutateur est sur cette position, le véhicule est en mode « NORMAL ». L'affichage du tableau de bord passera également en mode « NORMAL ». Le véhicule aura une réponse plus rapide de l'accélérateur.</p> <p><b>REMARQUE : Utilisez ce mode pour les charges de travail, les terrains ou sentiers complexes et d'autres situations de conduite qui peuvent exercer une charge élevée sur la courroie TVC.</b></p>

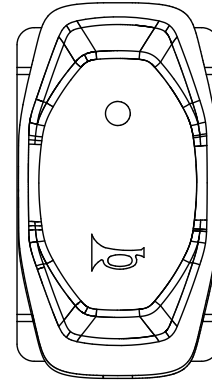


## CARACTÉRISTIQUE ET COMMANDES

### Commutateur de klaxon


(Selon l'équipement - disponible uniquement dans certains pays)

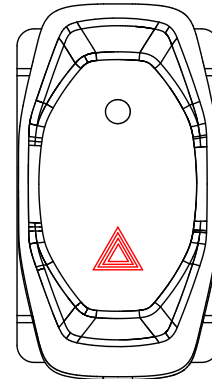
	Appuyez sur l'interrupteur à icône pour faire retentir le klaxon.
<input type="radio"/>	L'interrupteur revient automatiquement à cette position. Le klaxon ne sonnera pas.



### Commutateur de feux de détresse

(Selon l'équipement - disponible uniquement dans certains pays)

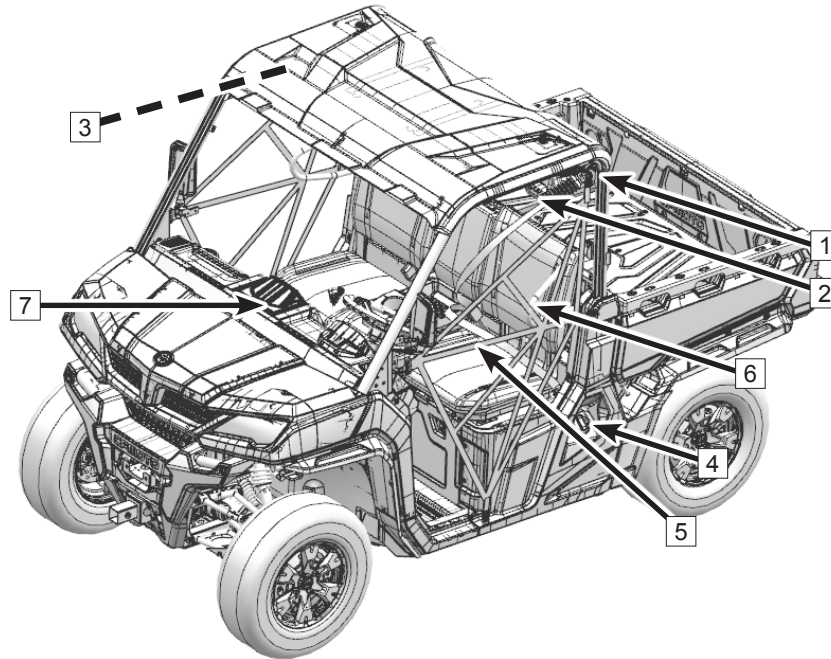
	Lorsque l'interrupteur est sur cette position, les clignotants avant et arrière clignotent. Le témoin des feux de détresse sur le tableau de bord sera allumé.
<input type="radio"/>	Lorsque l'interrupteur est sur cette position, les clignotants avant et arrière cesseront de clignoter. Le témoin des feux de détresse du tableau de bord sera éteint.



## CARACTÉRISTIQUE ET COMMANDES

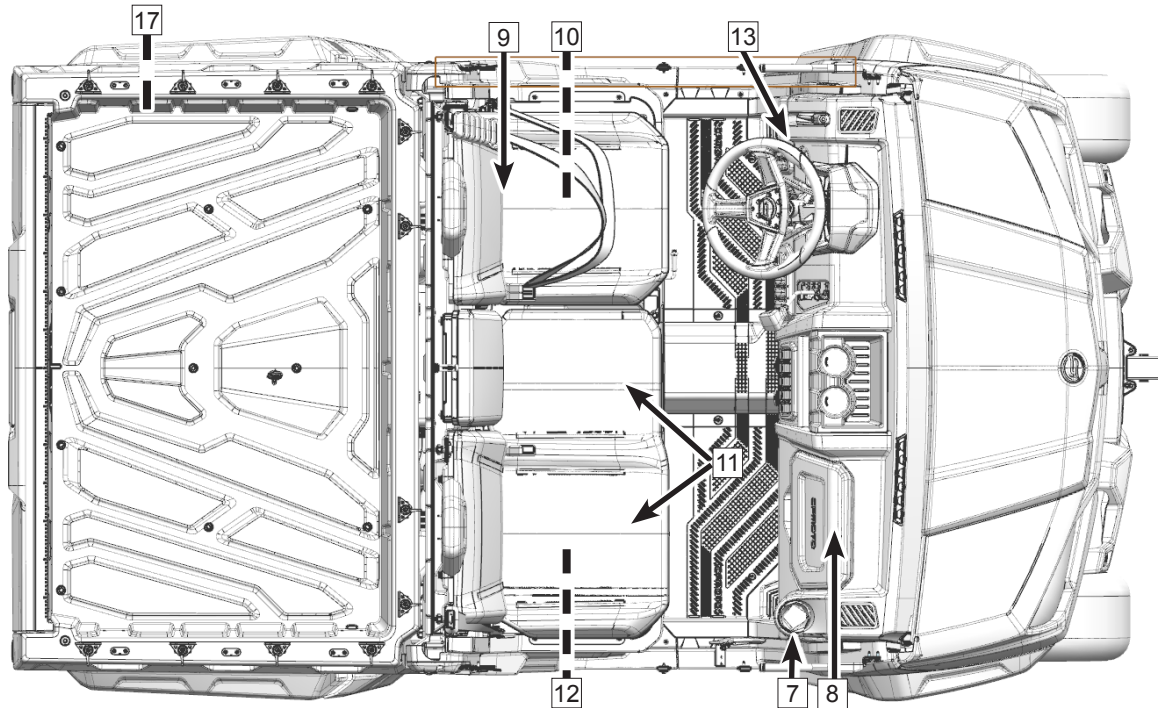
### Emplacements et descriptions des caractéristiques du véhicule

#### Emplacements des fonctionnalités - UFORCE 1000 (1 sur 3)



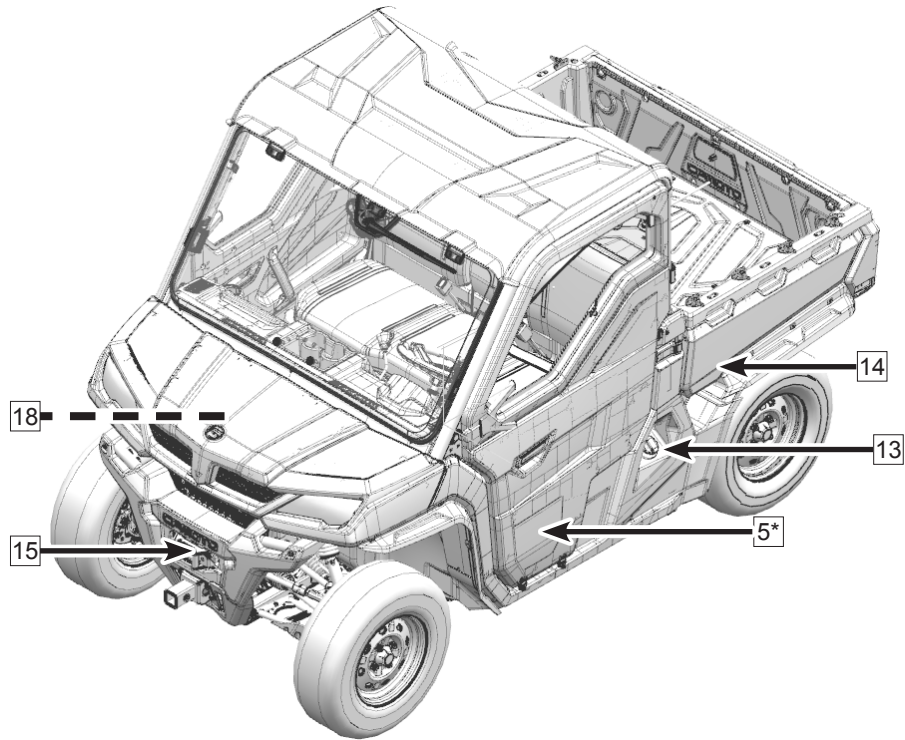
# CARACTÉRISTIQUE ET COMMANDES

Emplacements des fonctionnalités - UFORCE 1000 (2 sur 3)



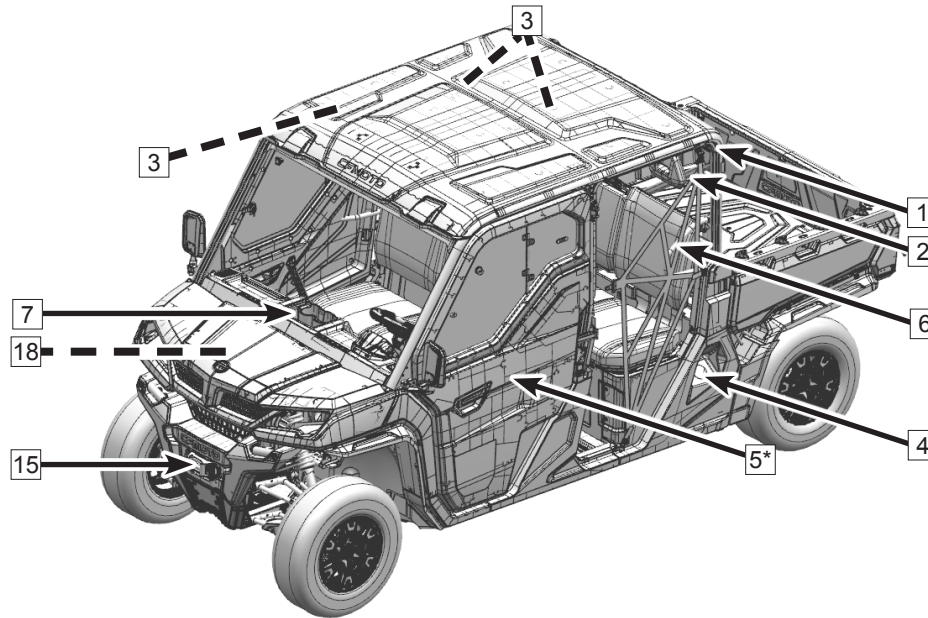
## CARACTÉRISTIQUE ET COMMANDES

Emplacements des fonctionnalités - UFORCE 1000 (3 sur 3)



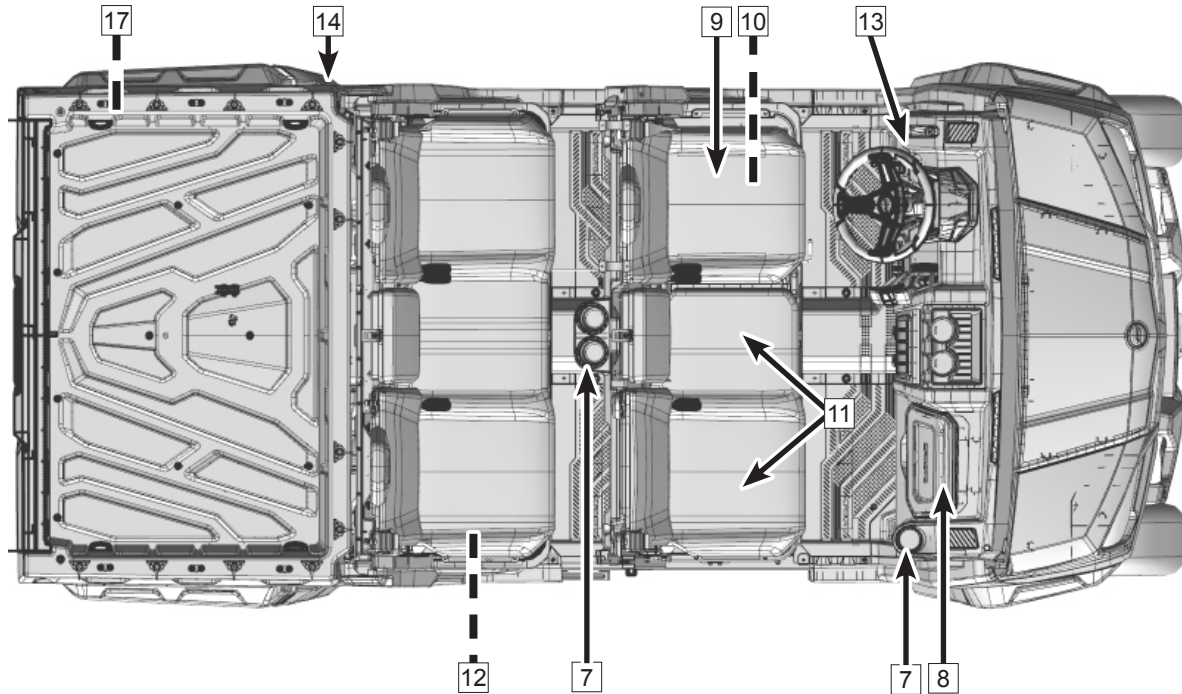
# CARACTÉRISTIQUE ET COMMANDES

Emplacements des fonctionnalités - UFORCE 1000XL (1 sur 2)



## CARACTÉRISTIQUE ET COMMANDES

Emplacements des fonctionnalités - UFORCE 1000XL (1 sur 2)





## CARACTÉRISTIQUE ET COMMANDES

### Descriptions des fonctionnalités - UFORCE 1000 / 1000XL

#### Système de protection contre le retournement (ROPS) - 1

Le cadre de cabine ROPS aide à protéger les occupants contre les blessures en cas de retournement ou de toute autre situation dangereuse. Ne mettez jamais vos mains et/ou vos pieds hors du véhicule lorsque vous conduisez.

#### Ceinture de sécurité - 2

Ce véhicule est équipé de ceintures de sécurité pour aider à protéger le conducteur et les passagers en cas de collision ou de renversement afin de maintenir les occupants dans la cabine.

Fonction de rappel de ceinture de sécurité : Un indicateur s'affiche lorsque la ceinture de sécurité n'est pas bouclée. Lorsque la plaque de verrouillage n'est pas poussée dans la boucle, un indicateur sur le tableau de bord s'allume et le régime moteur est limité à 3 700 pour l'UFORCE 1000/1000 XL. Lorsque la plaque de verrouillage est enfoncée dans la boucle, l'indicateur sur le tableau de bord s'éteint et la fonction de limitation du régime moteur est désactivée.

#### Main courante de sécurité - 3

Il y a une main courante des deux côtés de la barre supérieure du véhicule. L'UFORCE 1000XL est doté de mains courantes situées derrière les sièges avant. Le maintien de la main courante permet au passager de se protéger contre le mouvement du véhicule et de garder les mains et le corps à l'intérieur de la cabine en cas de retournement.

#### Réservoir d'essence - 4

Le bouchon de remplissage du réservoir de carburant est situé du côté conducteur du véhicule, près du siège du conducteur. Pour remplir le réservoir, saisissez fermement le bouchon du réservoir, puis tournez-le dans le sens inverse des aiguilles d'une montre et retirez-le. Réinstallez soigneusement le bouchon du réservoir une fois le remplissage terminé. Le volume du réservoir de carburant est de 10,6 gallons (40 L).

## CARACTÉRISTIQUE ET COMMANDES

### **Filets de sécurité / Portes latérales\* - 5**

Selon l'équipement, des filets de sécurité sont fournis de chaque côté de la cabine pour aider à protéger le conducteur et les passagers dans la cabine. Fixez toujours les filets de sécurité avant de conduire le véhicule. Assurez-vous que les points de montage des filets sont solidement fixés sur le véhicule et attachez le filet dans le connecteur de verrouillage avant l'utilisation.

Selon l'équipement, les portes latérales contribuent à protéger le conducteur et les passagers dans la cabine. Verrouillez toujours les portes latérales avant de conduire le véhicule. (\*Portes latérales fournies en équipement standard selon marché).

### **Protège-épaule - 6**

Le véhicule est muni de protège-épaules pour aider à retenir le corps du conducteur et du passager à l'intérieur du véhicule.

### **Porte-gobelet - 7**

Pour contenir des boissons.

### **Boîte à gants - 8**

La boîte à gants est située devant le siège passager. Le contrôleur de treuil filaire ou le kit d'outils de base est généralement stocké dans la boîte à gants..

### **Siège conducteur - 9**

Le siège du conducteur offre un réglage avant et arrière. Pour régler le siège, tournez le levier pour le déverrouiller. Relâchez le levier pour verrouiller le siège dans la position souhaitée. Une sangle de traction à l'arrière du siège permet au siège de s'incliner vers l'avant pour l'entretien.

## CARACTÉRISTIQUE ET COMMANDES

### Rangement du siège du conducteur - 10

Ce véhicule est équipé de rangements sous le siège conducteur prévus pour transporter des objets légers. **Une sangle de traction à l'arrière du siège permet au siège de s'incliner vers l'avant pour y accéder. L'ECU et le port de diagnostic sont situés sous le siège conducteur de l'UFORCE 1000.**

### Siège passager - 11

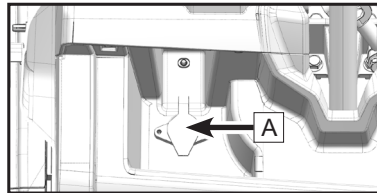
La banquette passager n'est pas réglable. Le dossier et le bas du siège peuvent être retirés si nécessaire pour l'entretien ou l'accès au rangement.

### Boîte de rangement portative - 12

Ce véhicule est équipé d'un coffre de rangement portatif sous le siège passager (UFORCE 1000XL - siège passager arrière) pour transporter des objets légers. L'ECU et le port de diagnostic sont situés sous le siège passager droit de l'UFORCE 1000XL.

### Port d'alimentation de commande du treuil - 13

Ce véhicule est équipé d'un contrôleur de treuil filaire et d'un port d'alimentation **A**. Le port d'alimentation est situé sur le côté inférieur gauche du volant.



## CARACTÉRISTIQUE ET COMMANDES

### Boîte de chargement et fonction d'inclinaison - 14

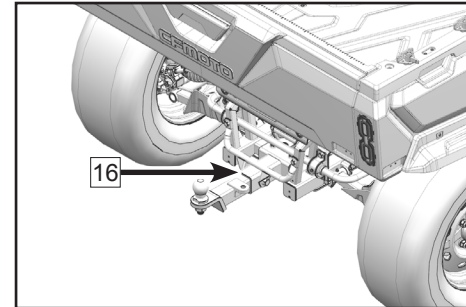
Reportez-vous aux autocollants de sécurité sur la caisse pour obtenir des informations sur le chargement. La caisse de chargement est dotée d'une poignée de déverrouillage de chaque côté qui peut être utilisée pour incliner la caisse à des fins d'entretien ou pour vider du matériel.

### Treuil - 15

Ce véhicule est muni d'un treuil de 3 500 lb. Une télécommande sans fil et un contrôleur de treuil standard se trouvent dans la boîte à gants. Le port d'alimentation du contrôleur de treuil est situé sur le tableau de bord droit à l'intérieur de la boîte à gants. Pour préserver la puissance de la batterie, n'utilisez le treuil que lorsque le moteur tourne. Veuillez vous référer au manuel de votre treuil pour plus d'informations ou consulter votre concessionnaire sur l'utilisation du treuil avant d'utiliser votre véhicule.

### Attelage - 16

Ce véhicule est équipé d'un récepteur d'attelage standard de 2 po x 2 po (51 mm x 51 mm). Veuillez consulter votre concessionnaire concernant le remorquage et l'utilisation de remorques avant d'utiliser votre véhicule.



## CARACTÉRISTIQUE ET COMMANDES

### Prise de courant pour remorque - 17

#### (Si équipé - standard dans certains pays)

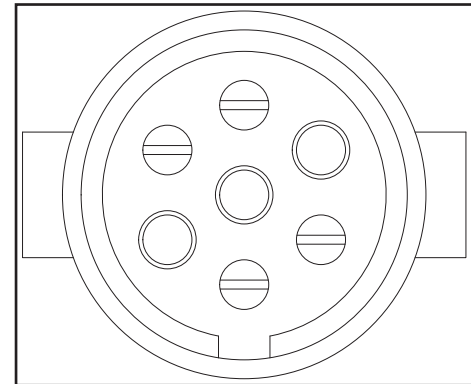
Ce véhicule est équipé d'un connecteur d'alimentation de remorque à 7 broches, situé dans la zone intérieure de la roue arrière droite du véhicule, qui nécessite une prise de remorque accessoire et un adaptateur de câblage. Les fils de la prise de courant de la remorque sont configurés selon la norme indiquée dans l'image.

Lorsqu'ils ne sont pas équipés, une prise de courant de remorque accessoire et un convertisseur de puissance sont nécessaires pour connecter le câblage de la remorque. Contactez votre revendeur pour plus d'informations.

#### ATTENTION

Une fois équipé, la consommation électrique du clignotant unilatéral au niveau de la prise de courant de la remorque doit toujours être comprise entre 1 W et 21 W.

CFMOTO recommande de vérifier les besoins en énergie de votre remorque pour vous assurer qu'elle se situe dans la plage de puissance nécessaire pour éviter une panne des feux de virage.

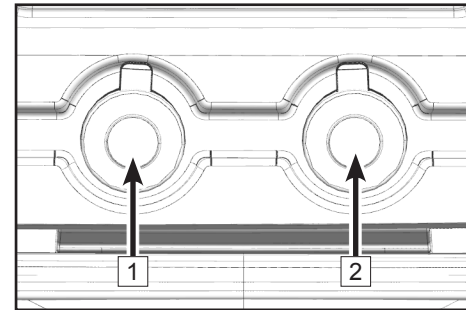
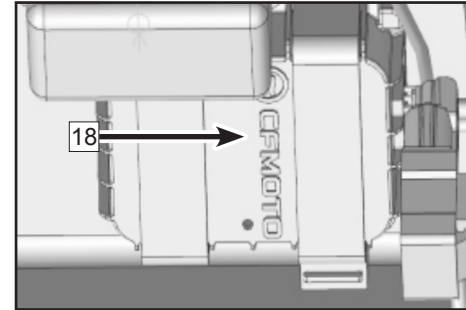


## CARACTÉRISTIQUE ET COMMANDES

### Boîtier télématique (T-BOX - Si équipé) - 18

Le boîtier télématique, ou T-BOX, est un composant optionnel sur certains marchés. Lors de l'achat de votre véhicule CFMOTO, vérifiez auprès de votre concessionnaire pour déterminer si votre véhicule est équipé de la connectivité T-BOX.

Le T-BOX est un terminal de véhicule intelligent qui crée un pont de communication entre les propriétaires et les véhicules via l'application CFMOTO RIDE installée sur un appareil mobile. L'application CFMOTO RIDE est disponible en téléchargement depuis l'App Store d'Apple pour iPhone ou Google Play pour Android.



## Caractéristiques du véhicule accessoire

### Alimentation accessoire 12 volts

Des prises de courant auxiliaires 12Vdc (flèches) sont fournies sur les côtés droit et gauche du tableau de bord pour faire fonctionner les accessoires tels que les projecteurs portatifs et les appareils électroniques de charge. Veuillez consulter votre concessionnaire sur l'utilisation d'accessoires électriques avec votre véhicule

1	Alimentation accessoire 12 volts	2	USB
---	-------------------------------------	---	-----

## CARACTÉRISTIQUE ET COMMANDES

### Contrôleur de treuil filaire et port d'alimentation

Ce véhicule est équipé d'un contrôleur de treuil filaire. Le port d'alimentation est situé sur le côté inférieur gauche du volant.

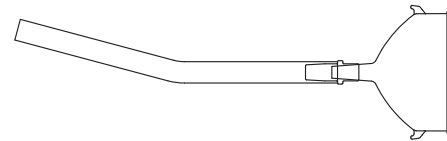


### Crochets d'ancrage

Des points de crochet d'ancrage sont situés dans la caisse pour sécuriser le chargement à l'intérieur de la caisse.

### Entonnoir et tuyau de remplissage d'huile

Ce véhicule est équipé d'un entonnoir de remplissage d'huile et d'un tuyau d'entretien, qui sont rangés dans la boîte à outils sous le siège passager.



## CARACTÉRISTIQUE ET COMMANDES

### Réservoir de liquide de frein et indicateur de niveau

Le niveau de liquide du réservoir du maître-cylindre de frein est visible sous le capot avant. Vérifiez le niveau de liquide du réservoir du maître-cylindre avant chaque utilisation du véhicule. Si le niveau de liquide est inférieur au repère « low », déterminez la cause ou remplissez de liquide de frein si nécessaire.

#### REMARQUE :

Lors de la vérification des niveaux de liquide, le véhicule doit être sur une surface plane. Si le niveau de liquide est inférieur à la marque « lower », ajoutez du liquide de frein DOT4. Ne pas trop remplir.

#### AVERTISSEMENT

**Un maître-cylindre trop plein peut entraîner une traînée ou un blocage des freins, ce qui peut entraîner un accident causant des blessures graves ou la mort. Maintenez le liquide de frein au niveau recommandé. Ne pas trop remplir.**

#### AVERTISSEMENT

**Ne jamais entreposer ou utiliser une bouteille de liquide de frein entamée. Le liquide de frein est hygroscopique, ce qui signifie qu'il absorbe rapidement l'humidité de l'air. L'humidité provoque la baisse de la température d'ébullition du liquide de frein, ce qui peut entraîner l'usure prématurée des freins et la possibilité d'un accident ou de blessures graves. Après avoir ouvert une bouteille de liquide de frein, disposez toujours de toute portion inutilisée.**



## CARACTÉRISTIQUE ET COMMANDES

### Systeme TVC

Ce véhicule est équipé d'un système de transmission à variation continue (TVC) qui utilise une courroie d'entraînement et des poulies d'embrayage pour faire varier automatiquement les rapports de transmission, permettant une variabilité infinie entre les vitesses les plus élevées et les plus basses du véhicule, sans étapes ni changements de vitesse discrets.

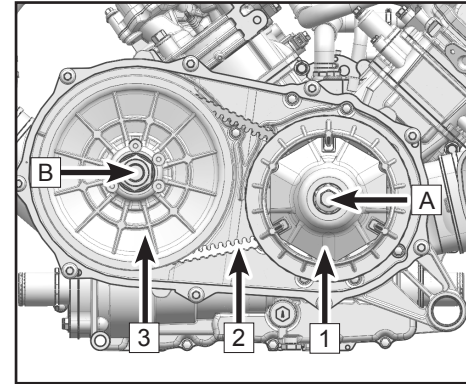
Le système TVC se compose d'un embrayage primaire [1], qui est une forme avancée d'embrayage centrifuge monté sur le vilebrequin du moteur [A].

L'embrayage secondaire [3] est monté sur l'arbre d'entrée de la transmission [B] et remplit deux fonctions : En tant que poulie « esclave » de l'embrayage primaire et pour fournir un élément de détection de couple qui modifie les rapports d'entraînement.

La courroie d'entraînement [2] est une courroie trapézoïdale robuste qui relie les poulies d'embrayage du moteur et de la transmission.

Un boîtier et un couvercle TVC entourent les embrayages et l'ensemble courroie. Il existe des conduits de refroidissement d'entrée et de sortie qui acheminent l'air pour refroidir les composants, et ils doivent être régulièrement inspectés. Les composants TVC ne contiennent aucun élément de maintenance utilisateur. Contactez votre revendeur pour le service.

**REMARQUE** : Pour prolonger la durée de vie de la courroie, utilisez la marche avant basse dans les situations de traction intense et lors d'un fonctionnement à moins de 19 km/h (12 mph) pendant de longues périodes. Si le remorquage du véhicule devient nécessaire, mettez la transmission au point mort pour une meilleure mobilité et pour éviter d'endommager la courroie.



## CARACTÉRISTIQUE ET COMMANDES

### **Système de freinage moteur (EBS)**

**(Marché australien uniquement)**

Ce véhicule est équipé d'un système de freinage moteur. Ce qui se produit lorsque l'accélérateur est complètement fermé, que le moteur est inférieur au régime d'engagement de l'embrayage primaire et que le véhicule roule à grande vitesse. Il utilise la force de compression/résistance du moteur pour ralentir la vitesse de transmission excessive via la courroie d'entraînement TVC, ralentissant ainsi progressivement l'ensemble du véhicule.

Le freinage moteur est toujours actif et offre le plus d'avantages lorsque :

- Il est utilisé en conjonction avec les modes 4WD et 4WD Diff-Lock.
- Il est utilisé lors de la descente de collines escarpées ou glissantes.
- Il est utilisé lors de la descente en pente rocheuse.
- Il est utilisé pour ralentir lors du remorquage de charges lourdes.
- Il assiste à l'application normale du système de freinage.

L'EBS ne remplace pas le système de freinage du véhicule, bien que la durée de vie des plaquettes de frein et du disque augmente lorsque l'EBS aide au fonctionnement normal du système de freinage. L'EBS n'est pas réglable et ne contient aucun élément de maintenance utilisateur. Contactez votre revendeur pour le service.

## CARACTÉRISTIQUE ET COMMANDES

### Comment éviter la défaillance de la courroie d'entraînement et des composants TVC

La durée de vie de l'embrayage TVC et de la courroie peut être considérablement prolongée en évitant ces erreurs de fonctionnement courantes :

Causes et dommages TVC	Solution
Tentative de charger le véhicule sur une plate-forme de camion ou une grande remorque à vitesse élevée.	Passez la transmission en vitesse basse pendant le chargement du véhicule pour éviter que la courroie ne brûle.
Démarrage sur une pente raide à vitesse élevée.	Lorsque vous démarrez sur des pentes raides, utilisez une vitesse basse.
Conduite constante à bas régime, conduite juste au-dessus du régime d'engagement de l'embrayage ou à basse vitesse (moins de 12 mph [19 km/h]) en vitesse élevée.	Un rapport bas est fortement recommandé pour des températures de fonctionnement TVC plus froides et une durée de vie plus longue des composants. Conduisez à une vitesse plus élevée ou utilisez une vitesse inférieure plus fréquemment.
Échauffement insuffisant de la TVC exposée à de basses températures ambiantes	Réchauffez le moteur avant de conduire, la courroie d'entraînement TVC deviendra plus flexible et empêchera la courroie de brûler.
Accélérateur lent et engagement facile de la TVC.	Utilisez l'accélérateur de manière ciblée et efficace pour un engagement efficace de l'embrayage TVC.
Remorquage/poussée à bas régime/faible vitesse d'avancement.	Utilisez uniquement la vitesse basse.
Utilisation utilitaire/déneigement, saleté, etc.	Utilisez uniquement la vitesse basse.
Chargement de véhicule lourd fonctionnant à basse vitesse	Utilisez uniquement la vitesse basse.

## CARACTÉRISTIQUE ET COMMANDES

Causes et dommages TVC	Solution
Coincé dans la boue ou la neige.	Passez la transmission en vitesse basse et utilisez avec précaution une application rapide et agressive de l'accélérateur pour engager la TVC. <b>AVERTISSEMENT</b> : Un accélérateur excessif peut entraîner une perte de contrôle et un renversement du véhicule.
Grimper sur de gros objets depuis une position arrêtée.	Passez la transmission en vitesse basse et utilisez avec précaution une application rapide, brève et agressive de l'accélérateur pour engager la TVC. <b>AVERTISSEMENT</b> : Un accélérateur excessif peut entraîner une perte de contrôle et un renversement du véhicule.
La courroie glisse suite à l'ingestion d'eau ou de neige dans le système TVC.	Vidangez l'eau du boîtier de la TVC et séchez la TVC si possible, ou contactez votre revendeur.
La surchauffe des composants TVC provoque un dysfonctionnement.	Contactez votre revendeur pour l'inspection et la réparation des composants TVC.

### REMARQUE :

La vitesse basse est la sélection de vitesse de transmission à privilégier lorsque :

- Les vitesses de conduite constantes sont inférieures à 19 mph (30 km/h)
- Conduite sur des surfaces routières planes et le véhicule transporte/remorque plus de 584 lb (265 kg)
- Conduite sur des routes boueuses ou accidentées et le véhicule transporte/remorque plus de 430 lb (195 kg).

## CARACTÉRISTIQUE ET COMMANDES

### Que faire si de l'eau s'accumule dans le boîtier TVC

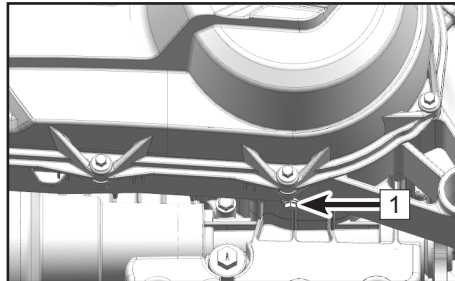
Si le véhicule a été immergé suffisamment profondément pour que de l'eau ait pénétré dans le carter TVC, retirez le boulon de vidange **1** au bas du carter pour vidanger l'eau du carter.

#### ATTENTION

Si de l'eau s'écoule du boîtier TVC après avoir retiré le boulon, demandez à votre concessionnaire d'inspecter le véhicule, car l'eau peut avoir affecté le système TVC et d'autres pièces du moteur.

### Séchage d'un système TVC humide

Si le système TVC a été submergé et que la courroie d'entraînement patine, toute humidité restante à l'intérieur du boîtier TVC après la vidange peut être expulsée en faisant tourner le moteur à plus de 2000 tr/min en stationnement ou au point mort pendant 30 à 60 secondes, puis en testant le bon fonctionnement de la TVC à basse équipement. Répétez si nécessaire. Si le système TVC continue de glisser ou a de mauvaises performances, contactez votre concessionnaire.



1 | Boulon de vidange, Carter TVC

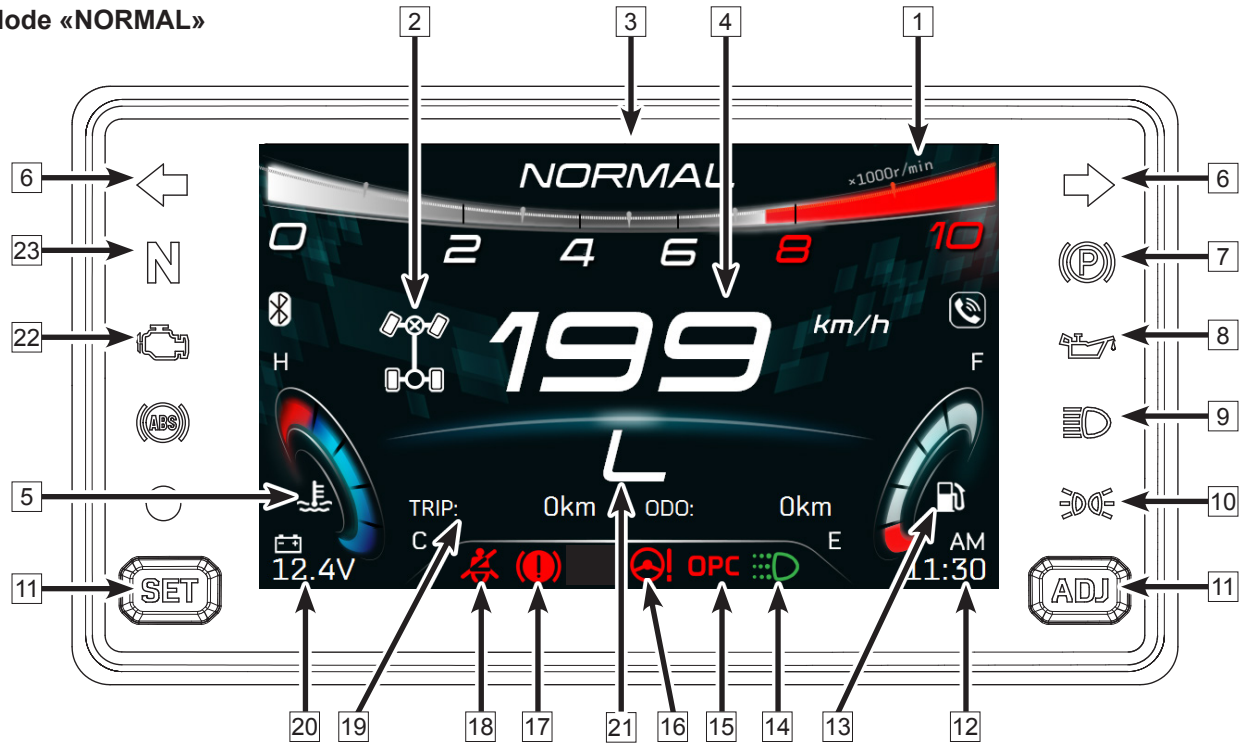
## CARACTÉRISTIQUE ET COMMANDES

### Indicateurs et fonctionnement du tableau de bord – Modes normal/travail

1	Régime moteur	7	Indicateur de frein de stationnement	13	Jauge de carburant	19	Odomètre
2	Mode conduite	8	Indicateur de signal de pression d'huile	14	Indicateur de feux de jour	20	Affichage de la tension
3	Affichage des modes	9	Indicateur de feux de route	15	Indicateur OPC	21	Affichage de la position du rapport
4	Compteur de vitesse	10	Indicateur lumineux de position	16	Indicateur d'avertissement de défaut EPS	22	Indicateur de défaut EFI
5	Température du liquide de refroidissement	11	Bouton de réglage	17	Indicateur d'avertissement de panne de frein	23	Lampe témoin neutre
6	Allumer la lumière	12	Horloge	18	Témoin d'avertissement de ceinture de sécurité	24	Nouveau mode pilote Indicateur (nécessite T-Box)

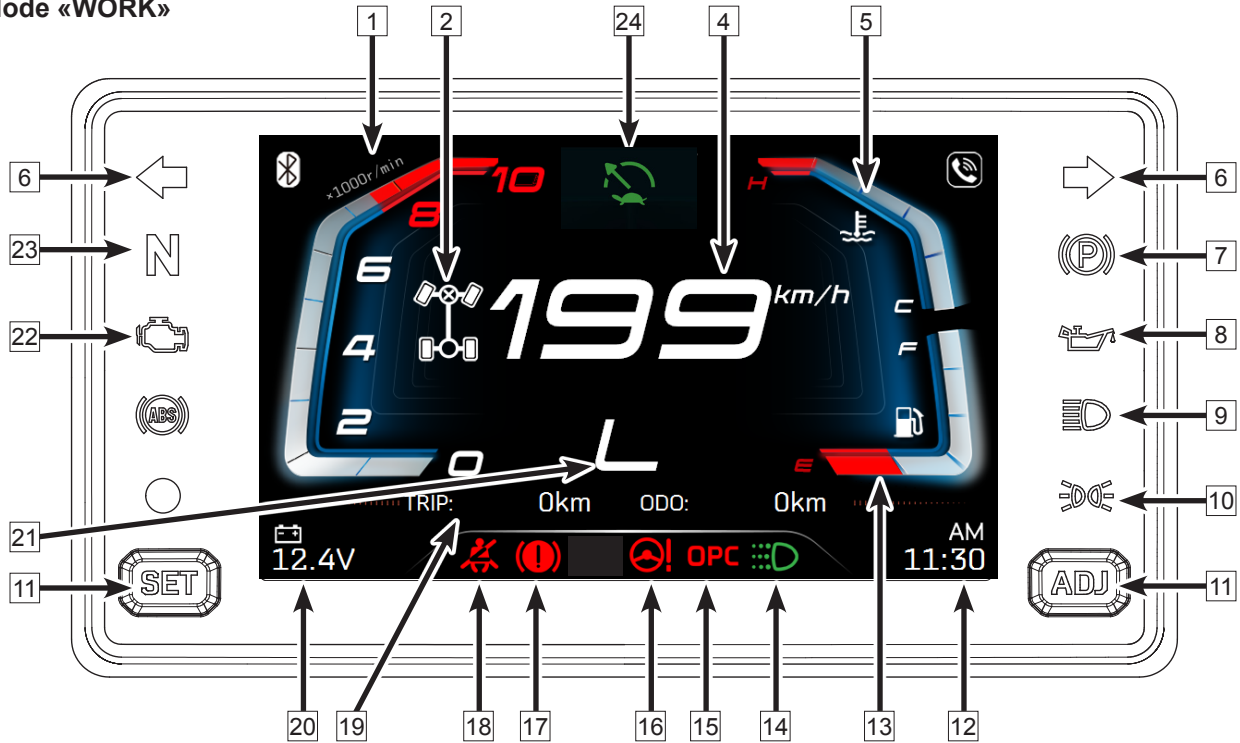
## CARACTÉRISTIQUE ET COMMANDES

Tableau de bord TFT  
Mode «NORMAL»



# CARACTÉRISTIQUE ET COMMANDES

TFT Dashboard  
Mode «WORK»





## CARACTÉRISTIQUE ET COMMANDES

### Régime moteur - 1

Indiquer le régime actuel du moteur.

### Mode conduite - 2

Il indique la méthode de conduite 2WD, 4WD ou 4WD-LOCK choisie.

### Mode Display - 3

Afficher le mode sélectionné « TRAVAIL » ou « NORMAL ».

### Compteur de vitesse - 4

Compteur de vitesse. Cette section du tableau de bord peut être basculée pour afficher la vitesse du véhicule en kilomètres par heure (km/h) ou en miles par heure (MPH).

### Température du liquide de refroidissement - 5

Cette section du tableau de bord affiche la température actuelle du liquide de refroidissement, « C » est une température basse, « H » est une température élevée. Les valeurs trop basses et trop élevées sont anormales. Faites tourner le véhicule au ralenti pour réchauffer le moteur lorsqu'il fait trop froid et gardez le véhicule lorsqu'il fait trop chaud pour empêcher le liquide de refroidissement de bouillir. Maintenir la température du liquide de refroidissement dans une plage normale.

### Tourner la lumière - 6

Si équipé.

### Indicateur de frein de stationnement - 7

Cet indicateur s'affiche lorsque la fonction de frein de stationnement est activée.

## CARACTÉRISTIQUE ET COMMANDES

### **Indicateur de signal de pression d'huile - 8**

L'indicateur de pression d'huile s'allume lorsque la pression d'huile est très basse. Veuillez arrêter votre véhicule en toute sécurité immédiatement lorsque le témoin est allumé et contacter votre concessionnaire pour enquêter sur le défaut.

### **Indicateur de feux de route - 9**

Ce témoin s'allume lorsque l'interrupteur des phares est dans cette position.

### **Indicateur lumineux de position - 10**

Cet indicateur s'allume lorsque l'interrupteur d'éclairage se tourne vers le feu de position.

### **Bouton de réglage - 11**

Réglez la fonction sélectionnée avec les boutons SEL / ADJ.

### **Horloge - 12**

Cette section du tableau de bord peut être ajustée à l'heure correcte à l'aide des boutons « SEL » et « ADJ ». Reportez-vous à la section « Navigation / Paramètres / Ajustements » du manuel du propriétaire pour obtenir des instructions.

## CARACTÉRISTIQUE ET COMMANDES

### Jauge de carburant - 13

Indique le niveau de carburant dans le réservoir de carburant. « F » indique que le niveau de carburant est d'environ 40 L. Lorsque la jauge de carburant est dans la zone rouge, le carburant résiduel dans le réservoir de carburant est d'environ 3 L. Dans ce cas, faites le plein.

### Afficher le niveau de carburant dans le réservoir de carburant.

- Lorsque l'alarme **FUEL 3** est réglée sur un minimum de carburant, le réservoir de carburant contient environ 1,95 gal. (7,4 L). Lorsqu'il est réglé sur cette alarme minimale, le tableau de bord indique que le niveau de carburant est égal ou supérieur à 1 bar.
- Lorsque l'alarme **FUEL 2** est réglée sur un minimum de carburant, le réservoir de carburant contient environ 1,19 gal. (4,5 L). Lorsqu'il est réglé sur cette alarme minimale, le tableau de bord indique que le niveau de carburant est égal ou supérieur à 1 bar.
- Lorsque l'alarme **FUEL 1** est réglée sur un minimum de carburant, le réservoir de carburant contient environ 0,55 gal. (2,1 L). Lorsqu'il est réglé sur cette alarme minimale, le tableau de bord indique que le niveau de carburant est égal ou supérieur à 1 bar.

### Indicateur de feux de jour - 14

Lorsque le véhicule démarre, les feux de jour s'allument et cet indicateur s'affiche. Lorsque les feux de position, les feux de croisement, les feux de route et les clignotants s'allument, les feux de circulation diurnes et le témoin des feux de circulation diurnes s'éteignent.

## CARACTÉRISTIQUE ET COMMANDES

### Indicateur OPC - 15

Contrôle de présence des occupants. Cet indicateur s'affiche si le conducteur a quitté le véhicule sans se garer. L'alarme retentira en même temps.

### Indicateur EPS - 16

Ce voyant clignote lorsqu'un défaut survient dans le système de direction assistée électronique.

### Indicateur d'avertissement de panne de frein - 17 (Si équipé)

Cet indicateur s'affiche lorsque le niveau de liquide de frein est faible.

### Témoin d'avertissement de ceinture de sécurité - 18

Rappel de ceinture de sécurité. Cet indicateur s'affiche lorsque la ceinture de sécurité n'est pas bouclée. Lorsque la plaque de verrouillage n'est pas poussée dans la boucle, l'indicateur sur le tableau de bord s'allume et limite la plage de régime à 3 700 tr/min ; Lorsque la plaque de verrouillage est poussée dans la boucle, l'indicateur sur le tableau de bord et la fonction de limitation de vitesse seront éteints.

### Odomètre - 19

Affiche le kilométrage total ou le kilométrage parcouru par le véhicule. Le kilométrage total ou le kilométrage parcouru peut être modifié à l'aide du bouton SEL.

## CARACTÉRISTIQUE ET COMMANDES

### **Affichage de la tension - 20**

Il affiche la tension de la batterie.

### **Indicateur de position de vitesse - 21**

Cet indicateur affiche la position du rapport lorsque la transmission est en position basse (L), haute (H), neutre (N), marche arrière (R) ou stationnement (P).

### **Indicateur de défaut EFI - 22**

Cet indicateur s'affiche lorsqu'un défaut se produit dans le système d'injection électronique de carburant.

### **Indicateur neutre - 23**

Cet indicateur s'affiche lorsque la transmission est au point mort.

### **Nouvel indicateur de mode de conduite (disponible sur certains marchés) - 24**

Lorsqu'il est connecté à l'application CFMOTO RIDE, un mode DÉBUTANT peut être activé. En mode DÉBUTANT, une icône s'affichera sur le tableau de bord et la vitesse du véhicule sera limitée à moins de 25 mph (40 km/h). Vérifiez auprès de votre revendeur pour déterminer si cette fonctionnalité est disponible sur votre marché.

## CARACTÉRISTIQUE ET COMMANDES

<b>Navigation dans le tableau de bord - Paramètres et ajustements</b>						
<b>Elément</b>	<b>Affichages</b>	<b>SET</b>	<b>ADJ</b>	<b>Opération</b>	<b>Résultat</b>	
Odomètre	'TOTAL'	Pression brève		Changements de voyage	Interface VOYAGE	
VOYAGE	'TRIP'		Pression longue	Le trajet se remet à zéro	Réinitialisation de la distance TRIP	
		Pression brève		Passage à l'heure moteur	Affichage des heures moteur	
Heure moteur	'H'	Pression brève		Passage au code d'erreur EFI	Code défaut EFI	
Code défaut EFI	'-----' or EFI fault code	Pression brève		Passages à la tension	Affichage de la tension	
Tension	'V'	Pression brève		Passage à la luminosité du tableau de bord	Interface de niveau de luminosité	
Luminosité du tableau de bord	'LED'		Pression brève	Ajuster la luminosité +1	Niveau 1-2-3-4-5	
		Pression brève		Passage à l'alarme de faible niveau de carburant	Interface d'alarme de faible niveau de carburant	
Alarme de faible niveau de carburant	'FUEL'		Pression brève	Ajuste le niveau d'alarme de carburant bas	CARBURANT 1 - CARBURANT 2 - CARBURANT- 3	
		Pression brève		Passage au compteur kilométrique	Odomètre	
Interface d'accueil (mode compteur kilométrique)	Interface d'accueil		Pression brève	Ajuster la luminosité +1	Niveau de luminosité	
		Pression brève		Entre le réglage de l'heure/du format	Flash de réglage des heures	
	Réglage des heures		Pression brève	Ajuster l'heure +1	Réglage des heures	
			Pression longue	Incrémental 1-12 / 1-24	Réglage des heures	
		Pression brève		Décale l'unité de temps en minutes	Flash de réglage des minutes	
	Réglage des minutes		Pression brève	Ajuster les minutes +1	Minuterie réglée	
			Pression longue	Incrémentiel 00-59	Minuterie réglée	
		Pression brève		Passer au format horaire	Flash unité de temps 12/24	
	Interface d'unité de temps 12/24			Pression brève	Active/désactive le format d'heure 12/24	Ensemble d'unités de temps 12/24
		Pression brève			Passage au format Km/Mile	Flash km/mile
	Interface au format Km/Mile			Pression brève	Bascule le format km/mile	Ensemble de formats Km/Mile
		Pression brève			Sortie vers l'interface d'accueil	Interface d'accueil

**REMARQUE :** Le numéro de carburant de l'alarme de faible niveau de carburant peut être modifié lorsque le volume de carburant atteint deux barres ou plus.

## CONDUITE DU VÉHICULE

### Période de rodage

La période de rodage de votre nouveau véhicule est très importante. Prendre soin d'un nouveau moteur se traduira par des performances plus efficaces et une durée de vie plus longue du moteur. Appliquez soigneusement les procédures suivantes.

1. Choisissez une zone ouverte qui vous permettra de vous familiariser avec le fonctionnement et la manipulation du véhicule.
2. Placez le sur une surface plane.
3. Remplissez le réservoir d'essence.
4. Vérifiez le niveau d'huile à moteur. Ajoutez de l'huile au niveau recommandée si nécessaire, afin de toujours maintenir le niveau d'huile entre les indicateurs minimum et maximum sur la jauge.
5. Placez-vous en position de conducteur sur le véhicule et démarrez le moteur. Laissez le moteur tourner au ralenti pendant une courte période avant de faire fonctionner le véhicule.
6. Appuyez sur la pédale de frein, sélectionnez la vitesse souhaitée, puis relâchez la pédale de frein.
7. Donnez du gaz. Conduisez lentement au début, en faisant varier les positions de l'accélérateur à  $\frac{1}{2}$  ouvert pendant 10 heures ou 160 km, puis à  $\frac{3}{4}$  ouvert pendant un autre 10 heures ou 160 km. Ne pas faire laisser tourner le moteur au ralenti ou à plein régime de façon soutenue.
8. Évitez de tirer ou de transporter des charges pendant la période de rodage.
9. Vérifiez périodiquement le niveau de liquide de refroidissement, les commandes, etc. En plus des éléments décrits dans le tableau d'entretien périodique.
10. À la fin de la période de rodage, changez l'huile et le filtre (20 h ou 200 miles/320 km).

## CONDUITE DU VÉHICULE

### Période de rodage des freins

 **ATTENTION**

Pendant la période de rodage, les plaquettes et les disques du système de freinage doivent s'user et peuvent ne pas avoir atteint des performances optimales.

Lorsque les plaquettes et les disques sont neufs, évitez de suivre de trop près les autres véhicules ou les situations de fonctionnement nécessitant un arrêt d'urgence pour éviter un accident.



## CONDUITE DU VÉHICULE

### ATTENTION

**Pour éviter d'endommager le moteur pendant la période de rodage :**

- **Ne travaillez pas à plein régime de manière prolongée. Des dommages aux pièces du moteur ou une diminution de la durée de vie du moteur peuvent survenir si l'accélérateur est utilisé à grande ouverture excessive pendant les 20 premières heures d'utilisation.**
- **Ne faites pas tourner le moteur avec l'accélérateur à moitié ouvert pendant les 10 premières heures (ou 100 miles/160 km) d'utilisation.**
- **Ne faites pas tourner le moteur avec le papillon ouvert à plus des 3/4 pendant les 10 à 20 premières heures (ou les 100 miles/160 km suivants) d'utilisation.**
- **Ne transportez pas et ne remorquez pas de marchandises lourdes.**

### Viscosité recommandée de l'huile moteur

L'utilisation de toute huile autre que celles recommandées peut provoquer de graves dommages au moteur. CFMOTO recommande l'utilisation de 10W-40 pour les moteurs 4 temps. Il est acceptable de modifier la viscosité de l'huile moteur à 5W-40 en raison d'environnements extrêmement froids ou à 15W-40 en raison d'environnements chauds. Référez-vous au tableau ci-dessous pour le choix de la température ambiante et de la viscosité.

Viscosité de l'huile				15W-40				
				10W-40				
				5W-40				
F°	-22	-4	14	32	50	68	86	104
C°	-30	-20	-10	0	10	20	30	40

## CONDUITE DU VÉHICULE

### Inspection pré-randonnée

Avant chaque utilisation de votre véhicule, un propriétaire averti effectuera une vérification de son véhicule à l'aide de la feuille de « Vérification quotidienne avant utilisation » contenue dans la fiche d'entretien.

#### AVERTISSEMENT

**Omettre d'effectuer une inspection adéquate avant chaque utilisation peut entraîner des blessures graves, voire mortelles. Assurez-vous de toujours inspecter le véhicule avant chaque utilisation pour vous assurer qu'il est en bon état de fonctionnement.**

### Pédale de l'accélérateur

Avant de démarrer le moteur, vérifiez la pédale de l'accélérateur pour vous qu'elle fonctionne adéquatement. Assurez-vous qu'elle reprend sa position dès qu'elle est relâchée. Réglez la vitesse du véhicule en faisant varier la position de la pédale. Parce que la pédale de l'accélérateur est un mécanisme à commande électrique contrôlé par un calculateur, le véhicule ralentira et le moteur devrait revenir au ralenti chaque fois que votre pied est retiré de la pédale de l'accélérateur.

### Pédale de frein

Avant de conduire le véhicule, appuyez sur la pédale pour appliquer les freins avant et arrière. Lorsqu'elle est enfoncée, le levier ou la pédale doit être ferme. Une pédale de frein souple indiquerait une éventuelle fuite de liquide ou un faible niveau de liquide du maître-cylindre, qui doit être corrigé avant de circuler. Contactez votre concessionnaire pour un diagnostic et des réparations appropriées.

## CONDUITE DU VÉHICULE

### Démarrage du moteur

 **ATTENTION**

**Les gaz d'échappement contiennent du monoxyde de carbone, un gaz mortel pouvant causer une perte de conscience ou même la mort. Ne jamais laisser tourner le moteur dans un endroit clos.**

#### Démarrage à froid

1. Vérifiez que le sélecteur de vitesse est placé en position Parc ou Neutre.
2. Appliquez la pédale de frein.
3. Tournez l'interrupteur à clé en position « ON ». Le véhicule est sous tension.
4. Attendez que l'auto-inspection de l'instrument soit terminée, puis tournez la clé en position « START ». Le moteur démarrera.
5. Une fois le moteur démarré, laissez-le chauffer pendant une courte période avant de faire fonctionner le véhicule.

**REMARQUE** : N'activez pas le système de démarrage plus de 10 secondes à chaque tentative. Si le moteur ne démarre pas, relâchez l'interrupteur de démarrage, faites une pause quelques secondes avant la prochaine tentative, puis réessayez de démarrer. Chaque tentative doit être aussi courte que possible pour préserver la batterie.

Le démarrage du moteur est recommandé lorsque la transmission est au point mort ou en stationnement. Si le témoin sur le tableau de bord ne s'allume pas lorsque le sélecteur de vitesses est dans l'une ou l'autre position, contactez votre concessionnaire pour inspecter le circuit électrique de l'indicateur ou régler le système de changement de vitesse.

 **ATTENTION**

**Laissez le moteur chauffer pendant une courte période avant de faire fonctionner le véhicule. Faire fonctionner le véhicule immédiatement après le démarrage pourrait endommager le moteur. N'activez pas le système de démarrage en continu. L'utilisation du véhicule après plusieurs démarrages pourrait endommager le moteur.**

## CONDUITE DU VÉHICULE

### Changer la transmission

<b>ATTENTION</b>
------------------

<b>Pour éviter d'endommager la transmission, remettez l'accélérateur en position fermée, arrêtez le véhicule et serrez la pédale de frein avant de changer de vitesse.</b>
--

**REMARQUE** : La vitesse basse est la sélection de vitesse de transmission préférée lorsque :

- Les vitesses de conduite constantes sont inférieures à 19 mph (30 km/h)
- Conduite sur des surfaces routières planes et le véhicule transporte/remorque une lourde charge.
- Conduite sur des routes boueuses ou accidentées et le véhicule transporte/remorque une lourde charge.

#### **Embrayer pour sortir du mode « PARK » (stationnement)**

1. Vérifiez que l'accélérateur est fermé.
2. Appuyez sur la pédale de frein et sur le sélecteur de vitesse.
3. Passez à la vitesse souhaitée en déplaçant le sélecteur de vitesse le long du guide de changement de vitesse.

#### **Embrayez pour passer du mode « NEUTRE » au mode « HIGH » (Neutre à haute vitesse)**

1. Vérifiez que l'accélérateur est fermé et que le véhicule est complètement immobilisé.
2. Appuyez sur la pédale de frein.
3. Passez à « HIGH » en déplaçant le sélecteur de vitesse le long du guide de changement de vitesse.

#### **Embrayer pour passer du mode « HIGH » au mode « LOW » (haute vitesse à basse vitesse)**

1. Vérifiez que l'accélérateur est fermé et que le véhicule est complètement immobilisé.
2. Appuyez sur la pédale de frein.
3. Passez à « LOW » en déplaçant le sélecteur de vitesse le long du guide de changement de vitesse.

## CONDUITE DU VÉHICULE

### **Embrayer pour passer du mode « LOW » au mode « HIGH » (basse vitesse à haute vitesse)**

1. Vérifiez que l'accélérateur est fermé et que le véhicule est complètement immobilisé.
2. Appuyez sur la pédale de frein.
3. Passez à « High » en déplaçant le sélecteur de vitesse le long du guide de changement de vitesse.

### **Embrayer pour passer au mode « REVERSE » (marche arrière)**

1. Vérifiez que l'accélérateur est fermé et que le véhicule est complètement immobilisé.
2. Appuyez sur la pédale de frein et sur le sélecteur de vitesse.
3. Passez à « Reverse » en déplaçant le sélecteur de vitesse le long du guide de changement de vitesse.
4. Vérifiez derrière vous pour des personnes ou obstacles, puis relâchez la pédale de frein arrière.
5. Appliquez graduellement l'accélérateur et continuez de regarder derrière vous tout en reculant.

#### **AVERTISSEMENT**

**Lorsque vous passez en marche arrière, assurez-vous qu'il n'y ait ni obstacle ni personne derrière vous et que la zone est sécuritaire. Lorsqu'il est sécuritaire de procéder, faites-le lentement.**

**Évitez une utilisation excessive de l'accélérateur en mode de limitation de vitesse, car cela peut entraîner une accumulation de carburant dans l'échappement, entraînant un éclatement du moteur et/ou des dommages au moteur.**

## CONDUITE DU VÉHICULE

### Changement de vitesse pour se stationner

1. Vérifiez que la manette des gaz est fermée et que le véhicule est complètement arrêté.
2. Appuyez sur la pédale de frein et appuyez sur le bouton de sélection de vitesse.
3. Passez à « P » en déplaçant le sélecteur de vitesse le long du guide de changement de vitesse. Secouez le véhicule d'avant en arrière pour vérifier que le stationnement est activé.

### REMARQUE :

- Les indicateurs de changement de vitesse doivent s'afficher en fonction de la position réelle de l'engrenage. Si l'indicateur s'affiche pas, demandez à votre concessionnaire d'inspecter le circuit électrique du véhicule ou de régler le changement de vitesse.
- En raison du mécanisme de synchronisation du moteur, l'indicateur ne peut pas s'afficher jusqu'à ce que le véhicule soit en mouvement.
- N'utiliser pas de vitesse élevée pour un déplacement ou un remorquage continu à basse vitesse, car cela peut entraîner réchauffement excessif du système d'embrayage pouvant endommager les composants.

### ATTENTION

**En cas de stationnement sur une pente, les forces de rotation de la transmission peuvent rendre difficile le changement de vitesse hors du stationnement. Le fait d'appliquer le frein à main avant de passer en position de stationnement aidera à atténuer les difficultés de changement de vitesse en cas de stationnement sur une pente. Faire basculer le véhicule vers l'avant ou vers l'arrière pendant le changement de vitesse aidera à éviter d'endommager les composants.**

## **CONDUITE ET PRATIQUE EN TOUTE SÉCURITÉ**

### **Responsabilités de l'opérateur**

En tant que conducteur de ce véhicule, votre bon sens, votre jugement et vos capacités sont les seuls facteurs qui vous éviteront de vous blesser, de blesser les autres et/ou d'endommager votre véhicule ou l'environnement.

### **Randonnées récréatives, de groupe et longue distance**

L'un des avantages de ce véhicule est qu'il peut vous conduire hors des sentiers battus, loin de la plupart des communautés. Gardez vos distances avec les zones désignées pour d'autres types d'utilisation, sauf si cela est spécifiquement autorisé. Ceci comprend les sentiers de motoneige, les sentiers équestres, les sentiers de ski de fond, les sentiers de vélo de montagne, etc. Joignez-vous à un club de VTT local. Un tel club peut vous fournir une carte et des conseils, ou vous informer sur les zones où vous pouvez circuler.

Gardez toujours une distance sécuritaire avec les autres véhicules devant et derrière vous lorsque vous circulez en groupe. Ne jamais conduire négligemment ou effectuer des manœuvres inattendues avec d'autres véhicules à proximité. Restez sur les sentiers désignés et les zones de VTT et découragez tout autre randonneur à circuler dans les zones interdites.

### **Évitez les accidents, les basculages et les renversements**

Les côtes à côtes se comportent différemment des autres véhicules. Ils sont conçus pour circuler sur des terrains hors route (par exemple la bande de roulement et profondeur de rainures de leurs pneus, leur dégagement du sol, leur suspension, leur transmission, leurs pneus, etc.) et, par conséquent, ils peuvent se renverser dans des situations où des véhicules conçus principalement sur les surfaces pavées ou lisses ne le feraient pas.

## CONDUITE ET PRATIQUE EN TOUTE SÉCURITÉ

**Un renversement ou autre accident peut survenir rapidement lors de manœuvres brusques telles que :**

- Virages serrés ou accélérations brusques.
- Décélération en virage.
- Lorsque vous conduisez sur des collines ou sur des obstacles.

Des manœuvres brusques ou une conduite agressive peuvent provoquer un renversement ou une perte de contrôle, même dans des espaces ouverts au terrain plat. Si le véhicule se renverse, n'importe quelle partie de votre corps (comme les bras, les jambes ou la tête) se trouvant à l'extérieur de l'habitacle peut être écrasée et coincée dans la cage ou autre partie du véhicule. Vous pouvez également être blessé par un impact avec le sol, la cabine ou un autre objet.

**Pour réduire le risque de renversement :**

- Soyez prudent lorsque vous tournez.
- Ajustez le maniement de la direction en fonction de votre vitesse et de votre environnement.
- Ralentissez à l'entrée d'un virage.
- Évitez de freiner brusquement lors d'un virage.
- Évitez les accélérations brusques ou agressives lors des virages, même au décollage ou à basse vitesse.
- Ne jamais tenter de beignes, dérapages, glissades, zigzagues, sauts ou autres cascades.
- Si le véhicule commence à déraper ou à glisser, diriger le volant dans la direction du dérapage ou de la glissade.
- Ne jamais freiner brusquement ou bloquer les roues.



## CONDUITE ET PRATIQUE EN TOUTE SÉCURITÉ

- Ce véhicule est conçu principalement à des fins HORS ROUTE. La conduite sur des surfaces pavées peut sérieusement affecter la maniabilité et le contrôle du véhicule. Si vous devez conduire sur ces surfaces, évitez les manoeuvres brusques sur le volant, l'accélérateur ou la pédale de frein.

### **Ce véhicule peut basculer sur le côté, vers l'avant ou vers l'arrière sur pente ou terrain accidenté :**

- Évitez de traverser une pente latéralement (en conduisant le long de la pente plutôt qu'en montant ou descendant). Lorsque cela est possible, roulez tout droit en montée et en descente plutôt qu'en travers. Si vous devez traverser la pente latéralement, soyez extrêmement prudent et évitez les surfaces glissantes, les objets ou les dépressions. Si vous sentez que le véhicule commence à se renverser ou à glisser latéralement, diriger le volant vers la descente de la pente si possible.
- Évitez les pentes abruptes et suivez les procédures de ce manuel pour monter et descendre des pentes.
- Des changements soudains de terrain tels que des trous, des dépressions, des talus, un sol plus mou ou plus dur, ou toute autre irrégularité peuvent faire basculer le véhicule ou le rendre instable. Observez le terrain devant vous et ralentissez dans les zones de terrain accidenté

### **Ce véhicule se comportera différemment lors du transport ou du remorquage d'une charge :**

- Réduisez la vitesse et suivez les instructions de ce manuel pour transporter ou remorquer une charge.
- Évitez les collines et les terrains accidentés.
- Accordez-vous plus de distance de freinage.

## **CONDUITE ET PRATIQUE EN TOUTE SÉCURITÉ**

### **Soyez prêt en cas de renversement :**

- Verrouillez les portes latérales ou les filets latéraux et attachez les ceintures de sécurité pour vous aider à éviter de sortir les bras ou les jambes de l'habitacle.
- Ne vous agrippez jamais à la cage pendant la randonnée. Les mains peuvent être écrasées entre la cage et le sol en cas de renversement. Gardez les mains sur le volant ou sur la poignée.
- N'essayez jamais d'empêcher un renversement en utilisant vos bras ou vos jambes. Si vous pensez que le véhicule peut basculer ou se renverser, le conducteur doit garder les deux mains sur le volant et les deux pieds fermement plantés au sol. Le passager doit garder les deux mains sur la poignée et les deux pieds fermement plantés au sol.

### **Éviter les collisions**

À des vitesses plus élevées, il y a un risque accru de perte de contrôle, en particulier dans des conditions hors route difficiles, et le risque de blessure en cas de collision est plus grand. Ne jamais rouler à des vitesses excessives. Toujours rouler à une vitesse adaptée au terrain, à la visibilité, aux conditions de fonctionnement et à votre expérience. Ce véhicule n'a pas le même type de protection contre les collisions qu'une voiture ; par exemple, il n'y a pas de coussins gonflables, la cabine n'est pas entièrement fermée et elle n'est pas conçue pour les collisions avec d'autres véhicules. Par conséquent, il est particulièrement important de boucler sa ceinture de sécurité, de verrouiller les portes latérales ou les filets latéraux, et de porter un équipement de sécurité approprié.

## CONDUITE ET PRATIQUE EN TOUTE SÉCURITÉ

### Respectez l'environnement

Les loisirs récréatifs de VTT sont un privilège. Conservez votre privilège en respectant l'environnement et les droits des autres d'en profiter également :

- Pourchasser les animaux sauvages est illégal. Les animaux peuvent mourir d'épuisement des suites d'une telle course.
- Évitez d'endommager volontairement le terrain sur lequel vous circulez, à moins que la zone ne soit désignée pour ce type d'activité.
- Respectez la règle « Ce que j'apporte, je le rapporte ». Évitez de polluer.

### Exercez-vous !

Avant de sortir pour une randonnée, il est très important de vous familiariser avec la maniabilité de votre véhicule en pratiquant dans un environnement contrôlé. Trouvez un endroit approprié pour pratiquer et effectuer les exercices suivants. L'endroit devrait mesurer au moins 147 pi x 147 pi (45 m x 45 m) et être libre de tout obstacle tels que des arbres et gros rochers.

N'oubliez pas : évitez la haute vitesse tant que vous ne vous êtes pas entièrement familiarisé avec votre véhicule.

**REMARQUE** : N'utilisez pas la vitesse supérieure pour un déplacement continu à vitesse lente ou pour le remorquage, car cela peut entraîner un échauffement excessif du système d'embrayage, ce qui pourrait endommager les composants.

## CONDUITE ET PRATIQUE EN TOUTE SÉCURITÉ

### Exercice de virage

Le virage est l'une des causes les plus fréquentes d'accidents. Il est plus facile pour le véhicule de perdre sa traction ou se renverser si vous tournez trop brusquement ou avec une vitesse excessive. Ralentissez lorsque vous amorcez un virage.

Entraînez-vous à tourner :

- Répétez l'exercice de virage, mais, cette fois-ci, maintenez l'accélérateur au même niveau pendant le virage.
- Enfin, répétez les exercices de virage tout en accélérant lentement et graduellement.
- Entraînez-vous également à effectuer des virages vers la gauche. Remarquez comment votre véhicule se comporte pendant ces différents exercices. CFMOTO recommande de relâcher l'accélérateur avant d'entamer un virage afin de vous aider à entreprendre le changement de direction. Vous sentirez la force latérale augmenter avec la vitesse et avec votre direction. La force latérale doit être maintenue aussi faible que possible pour s'assurer qu'elle ne provoque pas le renversement du véhicule.

**REMARQUE** : Remarquez comment votre véhicule se comporte pendant ces différents exercices. CFMOTO recommande de relâcher l'accélérateur avant d'entamer un virage afin de vous aider à entreprendre le changement de direction. Vous sentirez la force latérale augmenter avec la vitesse et avec votre direction. La force latérale doit être maintenue aussi faible que possible pour s'assurer qu'elle ne provoque pas le renversement du véhicule.

## CONDUITE ET PRATIQUE EN TOUTE SÉCURITÉ

### Exercice de virage en U

Exercez-vous à effectuer des virages en U :

- Accélérez lentement et, tout en restant à faible vitesse, tournez progressivement le volant jusqu'à ce que vous ayez effectué un demi-tour complet.
- Répétez l'exercice de virage en U en effectuant différentes manipulations du volant et toujours à très basse vitesse.
- Répétez l'exercice de virage en U vers la gauche

Comme mentionné précédemment dans ce guide, ne roulez pas sur des surfaces pavées. Le comportement du véhicule ne sera pas le même sur surface pavée, augmentant ainsi le risque de renversement.

### Exercice de freinage

Entraînez-vous au freinage pour vous familiariser avec la réponse des freins :

- Entraînez-vous d'abord au freinage à basse vitesse, puis augmentez la vitesse.
- Entraînez-vous au freinage en ligne droite à différentes vitesses et différentes forces de freinage.
- Pratiquez le freinage d'urgence. Un freinage optimal est obtenu en ligne droite, en appliquant une force élevée et sans bloquer les roues

N'oubliez pas que la distance de freinage dépend de la vitesse du véhicule, de la charge, et du type de surface. De plus, la condition des pneus et des freins joue un rôle majeur.

## **CONDUITE ET PRATIQUE EN TOUTE SÉCURITÉ**

### **Exercice de marche arrière**

Entrenez-vous à utiliser la marche arrière :

- Placez un marqueur conique des deux côtés du véhicule, à côté de chaque roue arrière.
- Déplacez le véhicule vers l'avant jusqu'à ce que vous puissiez voir les marqueurs coniques derrière vous, puis arrêtez le véhicule. Apprenez à reconnaître la distance requise pour voir les obstacles derrière vous.
- Apprenez comment le véhicule se comporte en marche arrière et réagit avec les commandes de direction.
- Effectuez toujours cet exercice de marche arrière à basse vitesse.

### **Exercice d'arrêt d'urgence du moteur**

Entrenez-vous à arrêter rapidement votre moteur en cas d'urgence :

- Lorsque vous roulez à basse vitesse, tournez simplement la clé de contact en position d'arrêt. Il s'agit de vous familiariser avec la réaction du véhicule lorsque le moteur est coupé pendant la conduite et de développer ce réflexe.

## CONDUITE ET PRATIQUE EN TOUTE SÉCURITÉ

### Conduire hors-route

La nature même de la conduite hors route est dangereuse. Tout terrain qui n'a pas spécialement été préparé pour transporter des véhicules présente un danger inhérent où la substance, la forme et l'inclinaison du terrain sont imprévisibles. Le terrain lui-même présente un élément continu de danger, qui doit être sciemment accepté par quiconque s'y aventurant.

Un conducteur qui choisit de diriger son véhicule hors route doit toujours faire preuve de la plus grande prudence en sélectionnant le chemin le plus sûr et en surveillant de près le terrain devant lui. Ce véhicule ne doit jamais être utilisé par une personne qui n'a pas pleinement connaissance des instructions de conduite applicables au véhicule, ni être utilisé sur un terrain escarpé ou dangereux.

### Conseils généraux de conduite

L'attention, la prudence, l'expérience et les compétences de conduite sont les meilleures précautions contre les risques liés à la conduite d'un véhicule. Chaque fois qu'il existe le moindre doute que le véhicule puisse franchir en toute sécurité un obstacle ou un terrain en particulier, choisissez toujours un autre itinéraire. En conduite tout terrain, ce sont la puissance et la traction qui sont importantes et non la vitesse. Ne conduisez jamais plus vite que le permettent la visibilité et votre capacité à choisir un itinéraire sûr. Ne jamais utiliser le véhicule si les commandes ne fonctionnent pas normalement. Consultez votre concessionnaire.

### La conduite en marche arrière

Lorsque vous roulez en marche arrière, vérifiez toujours que le chemin derrière le véhicule est libre de toute personne ou obstacle. Portez attention aux angles morts. Lorsqu'il est sécuritaire de procéder, roulez lentement et évitez les virages serrés.

 **AVERTISSEMENT**

**Les sollicitations de la direction en marche arrière augmentent le risque de retournement.**

## CONDUITE ET PRATIQUE EN TOUTE SÉCURITÉ

### AVERTISSEMENT

**Lors d'une descente en marche arrière, la gravité peut augmenter la vitesse du véhicule au-dessus de la vitesse de marche arrière limitée définie. Ne pas faire preuve de prudence lors du fonctionnement en marche arrière peut entraîner des blessures graves, voire la mort.**

#### **REMARQUE :**

Ce véhicule est muni d'un limiteur de vitesse en marche arrière. En effet, en marche arrière le régime moteur est limité, limitant ainsi la vitesse de recul du véhicule. Ne pas utiliser la marche arrière à plein régime. Maintenez l'accélérateur juste assez pour maintenir la vitesse souhaitée.

#### **Traverser les routes pavées**

Si vous devez traverser une route pavée, assurez-vous d'avoir une visibilité complète des deux côtés pour voir arriver le trafic et identifiez d'avance votre point de sortie de l'autre côté de la route. Conduisez en ligne droite vers ce point. N'effectuez pas de changements brusques de direction ou d'accélération brusques, car cela pourrait entraîner une situation de renversement. Ne circulez pas sur les trottoirs ou sur les pistes cyclables, car ils sont spécialement conçus pour ces usages.

Évitez de rouler sur des surfaces pavées. Ce véhicule n'est pas conçu pour circuler sur des surfaces pavées et est plus susceptible de se renverser. Si vous devez conduire sur une chaussée pavée, tournez progressivement, circulez lentement et évitez les accélérations et les freinages brusques.

#### **Rouler sur les routes pavées**

Évitez de rouler sur des surfaces pavées. Ce véhicule n'est pas conçu pour circuler sur des surfaces pavées et est plus susceptible de se renverser. Si vous devez conduire sur une chaussée pavée, tournez progressivement, circulez lentement et évitez les accélérations et les freinages brusques.



## **CONDUITE ET PRATIQUE EN TOUTE SÉCURITÉ**

### **Traversée en eau peu profonde**

L'eau peut constituer un danger particulier. Si elle est trop profonde, le véhicule peut « flotter » et basculer. Vérifiez toujours la profondeur de l'eau et le débit d'eau avant de tenter de traverser tout plan d'eau. La profondeur de l'eau ne doit pas dépasser 60 cm pour traverser l'obstacle en toute sécurité.

Méfiez-vous des surfaces glissantes telles que les rochers, l'herbe, les bûches, etc., à la fois dans l'eau et sur les rives. Une traction peut survenir. N'essayez pas de pénétrer dans l'eau à grande vitesse. L'eau affectera la capacité de freinage de votre véhicule. Assurez-vous de les assécher en les appliquant plusieurs fois à basse vitesse à votre sortie de l'eau.

### **Que faire si le véhicule est submergé**

Si le véhicule est immergé, il sera nécessaire de le faire transporter chez votre concessionnaire dans les plus brefs délais. N'essayez pas de redémarrer le moteur, car l'eau peut avoir été ingérée dans les cylindres, ce qui peut provoquer des dommages internes.

### **Rouler dans la boue, la glace ou la neige**

Lors d'une inspection pré-randonnée, portez une attention particulière aux endroits du véhicule, où peuvent survenir des accumulations de boue, de glace et/ou de neige peuvent gêner la visibilité des feux arrière, obstruer les ouvertures de ventilation, bloquer le radiateur et le ventilateur, et ainsi interférer avec le mouvement des commandes. Avant de démarrer votre véhicule, vérifiez que la direction, l'accélérateur et la pédale de frein fonctionnent sans interférence.

Chaque fois que ce véhicule roule sur un chemin couvert de neige ou de glace, l'adhérence des pneus est généralement réduite, ainsi le véhicule réagit différemment pour répondre aux manipulations du conducteur.

## CONDUITE ET PRATIQUE EN TOUTE SÉCURITÉ

### **Rouler sur le sable**

Le sable et la conduite sur des dunes sont une expérience unique, mais quelques précautions de base doivent être respectées. Le sable mouillé, profond ou fin peut créer une perte de traction et faire glisser, tomber ou s'embourber le véhicule. Si cela se produit, recherchez une base plus ferme. Encore une fois, le meilleur conseil est de ralentir et d'être attentif aux conditions.

Lorsque vous roulez sur des dunes, il est conseillé d'équiper le véhicule d'un drapeau de sécurité de type antenne. Cela aidera à rendre votre emplacement plus visible pour les autres sur la prochaine dune. Procédez avec prudence si vous voyez un autre drapeau de sécurité devant vous.

### **Rouler sur du gravier, de la gravelle ou d'autres surfaces glissantes**

Rouler sur du gravier ou de la gravelle est très similaire à rouler sur de la glace. Ces surfaces affectent la direction du véhicule, ce qui peut le faire glisser et se renverser, surtout à grande vitesse. De plus, la distance de freinage peut être affectée. N'oubliez pas que le fait de donner des coups de gaz à répétition ou de glisser peut provoquer l'éjection de pierres vers l'arrière, ce qui pourrait être projeté sur d'autres personnes.

### **Traverser des obstacles**

Les obstacles sur le sentier doivent être franchis avec prudence. Cela comprend les roches, les arbres tombés et les trous. Vous devez les éviter autant que possible. N'oubliez pas que certains obstacles sont trop grands ou dangereux pour être franchis et doivent être évités. À titre indicatif, ne tentez jamais de franchir un obstacle plus haut que la garde au sol du véhicule. Les petits rochers ou les petits arbres tombés peuvent être traversés en toute sécurité. Abordez les obstacles à basse vitesse et à un angle aussi droit que possible. Ajustez la vitesse sans perdre l'élan et évitez les accélérations brusques. Le passager doit saisir fermement la poignée et planter fermement ses pieds au sol.

## CONDUITE ET OPÉRATION

### La conduite en pente

Lorsque vous conduisez sur des collines ou des pentes, deux choses sont très importantes : soyez prêt pour les surfaces glissantes ou les variations de terrain et les obstacles, et accrochez-vous correctement à l'intérieur du véhicule. Si vous montez ou descendez une colline trop glissante ou dont la surface est trop lâche, vous pouvez perdre le contrôle. Si vous franchissez le sommet d'une colline à grande vitesse, vous n'aurez peut-être pas le temps de vous préparer au terrain de l'autre côté. Évitez de stationner sur une pente. Placez toujours le levier de vitesse sur la position « Park » et actionnez toujours le frein à main à l'arrêt ou en stationnement, particulièrement sur une pente, pour éviter de rouler. Si vous devez vous garer sur une pente raide et bloquer les roues du côté descente à l'aide de pierres ou d'un autre matériau approprié.

### La conduite en ascension

Utilisez toujours la vitesse « LOW » pour la conduite en amont. En raison de sa configuration, ce véhicule a une très bonne traction même en amont, à tel point que le basculement est possible avant que la traction ne soit perdue. Par exemple, il est courant de rencontrer des situations de terrain où le sommet de la colline s'est érodé au point que le sommet de la colline s'élève très fortement. Ce véhicule n'est pas conçu pour négocier de telles conditions. Prenez un autre chemin.

Si vous sentez que la pente devient trop raide à monter, serrez les freins pour immobiliser le véhicule. Mettez le levier de vitesse en position « REVERSE » et reculez en descendant tout droit, en relâchant à peine les freins pour rester à basse vitesse. N'essayez pas de vous retourner. Ne roulez jamais en aval lorsque le véhicule est au point mort. N'effectuez pas de freinage brusque, car cela augmente le risque de renversement.

## **CONDUITE ET PRATIQUE EN TOUTE SÉCURITÉ**

### **La conduite en descente**

Ce véhicule peut gravir des pentes plus abruptes qu'il ne peut en descendre en toute sécurité. Par conséquent, il est essentiel de s'assurer qu'il existe un itinéraire sûr pour descendre une pente avant de la monter. La décélération lors de la négociation d'une descente glissante pourrait faire tourner le véhicule en position latérale et glisser. Maintenez une vitesse constante et/ou accélérez légèrement pour reprendre le contrôle. Ne jamais freiner brusquement et bloquer les roues.

## CONDUITE ET PRATIQUE EN TOUTE SÉCURITÉ

### Transport et remorquage d'une charge

Votre véhicule peut vous aider à effectuer un certain nombre de tâches légères différentes, allant du déneigement au remorquage de bois ou au transport de marchandises. Ceci peut modifier la maniabilité de votre véhicule. Pour éviter d'éventuelles blessures, suivez les instructions et les avertissements contenus dans ce guide et sur le véhicule lui-même. Respectez toujours les limites de charge du véhicule. Une surcharge du véhicule peut surcharger les composants et provoquer une panne.

### Le transport des charges

La limite de charge du véhicule, incluant le poids du conducteur, du passager, de la charge, des accessoires et de l'attelage de la remorque (UFORCE 1000 : 1509 lb (685 kg) • UFORCE 1000 XL : 1455 lb (660 kg).

EXEMPLE DE RÉPARTITION APPROPRIÉE DE LA CHARGE TOTALE D'UN VÉHICULE				
Modèle	Opérateur et passager	Charge de la boîte de chargement (charge verticale maximale autorisée sur le point d'accouplement)	Accessoires	Charge totale du véhicule
UFORCE 1000	529 lb (240 kg)	772 lb (350 kg) / 99 lb (45 kg)	209 lb (95 kg)	1509 lb (685 kg)
UFORCE 1000 XL	529 lb (240 kg)	772 lb (350 kg) / 99 lb (45 kg)	154 lb (70 kg)	1455 lb (660 kg)
	1058 lb (480 kg)	352 lb (180 kg) / 99 lb (45 kg)	0 lb (0 kg)	1455 lb (660 kg)

#### AVERTISSEMENT

**UFORCE 1000 :**

**LOW GEAR est recommandé lorsque la charge utile totale est supérieur à 584 lb (265 kg).**

**UFORCE 1000 XL :**

**LOW GEAR est recommandé lorsque la charge utile totale est supérieure à 860 lb (390 kg).**

## **CONDUITE ET PRATIQUE EN TOUTE SÉCURITÉ**

### **Paramètres du véhicule lors du transport d'une charge**

Si la charge totale approche se rapproche de la charge nominale du véhicule totale, incluant le poids du conducteur, du passager, de la charge, des accessoires et de l'attelage de la remorque :

- Gonflez les pneus à la pression maximale.
- Réajustez la précharge du ressort hélicoïdal de suspension en conséquence.
- Utilisez la vitesse « L » lorsque vous transportez de lourdes charges dans le coffre et/ou la remorque.

### **Répartition d'une charge**

Votre véhicule a été conçu pour transporter ou remorquer une certaine quantité de charge. Toujours :

- Lire et comprendre les avertissements de répartition de charge répertoriés sur les étiquettes d'avertissement.
- Ne jamais dépasser les poids spécifiés.
- Le poids de la cargaison doit être monté aussi bas que possible.
- Lorsque vous travaillez sur un terrain en pente ou accidenté avec des charges ou une remorque chargée, réduisez la vitesse et le chargement pour maintenir des conditions de conduite stables.

### **Tirer ou remorquer une charge**

Votre véhicule est équipé d'une prise d'attelage et d'un treuil pour remorquer ou tirer une charge.

### **Tirer une charge**

- Ne tirez jamais une charge en la fixant à la cage (ROPS). Cela pourrait faire basculer le véhicule. Utilisez uniquement l'attelage de la remorque ou le treuil (le cas échéant) pour tirer une charge.
- Lorsque vous tirez des charges avec une chaîne ou un câble, assurez-vous qu'il n'y a pas de jeu avant de démarrer et maintenez la tension pendant la traction.

## CONDUITE ET PRATIQUE EN TOUTE SÉCURITÉ

### AVERTISSEMENT

**Un jeu dans la chaîne ou le câble peut provoquer sa rupture brutale, qui pourrait revenir brusquement vers l'arrière et ainsi entraîner des blessures.**

- Lorsque vous tirez une charge, respectez la capacité maximale de traction.
- Si vous tirez un autre véhicule, assurez-vous que quelqu'un contrôle le véhicule tiré. Ils doivent freiner et braquer pour éviter que le véhicule ne devienne incontrôlable.
- Réduisez votre vitesse lorsque vous tirez une charge et tournez progressivement pour éviter que les chaînes, sangles, cordes ou câbles ne s'accrochent aux roues arrière. Évitez les collines et les terrains accidentés. Ne tentez jamais de gravir une pente abrupte. Considérez plus de distance de freinage, en particulier sur les surfaces inclinées. Faites attention de ne pas déraper ou glisser.
- Avant de tirer des charges avec un treuil, reportez-vous au guide de l'utilisateur du treuil.

## CONDUITE ET PRATIQUE EN TOUTE SÉCURITÉ

### Le remorquage d'une charge

Si une remorque est utilisée derrière le véhicule, assurez-vous que son attelage est compatible avec celui du véhicule. Assurez-vous que la remorque est horizontale avec le véhicule. Utilisez des chaînes ou des câbles de sécurité pour maintenir la remorque fixée au véhicule en cas de défaillance de l'attelage.

Le chargement inadéquat d'une remorque peut entraîner une perte de contrôle. Respectez la capacité de traction maximale recommandée, ainsi que la capacité maximale de la flèche d'attelage. Assurez-vous qu'il y ait au moins un peu de poids sur la flèche d'attelage. Suivez ces directives pour le transport et le remorquage d'une charge :

#### AVERTISSEMENT

**La surcharge du véhicule et le transport ou le remorquage incorrect d'une charge peuvent altérer la maniabilité du véhicule et entraîner une perte de contrôle ou une instabilité du freinage.**

- Pour éviter l'usure de l'embrayage et les problèmes de courroie, utilisez toujours la vitesse «LOW» lorsque vous remorquez une charge.
- Réduisez votre vitesse lors du transport ou du remorquage d'une charge.
- Toutes les charges doivent être sécurisées avant utilisation. Les charges non sécurisées peuvent se déplacer et créer des conditions de fonctionnement instables, ce qui pourrait entraîner une perte de contrôle du véhicule.
- Lorsque vous conduisez sur un terrain en pente ou accidenté, réduisez la vitesse et la charge afin de maintenir des conditions de conduite stables.
- Soyez extrêmement prudent lorsque vous freinez avec un véhicule tirant une remorque chargée. Évitez les terrains ou les situations qui pourraient nécessiter un recul en descente.



## CONDUITE ET PRATIQUE EN TOUTE SÉCURITÉ

- La répartition du poids de la charge doit être aussi bas que possible. Le transport d'une charge en hauteur augmente le centre de gravité et crée des conditions de fonctionnement instables. Réduisez le poids de la charge lorsque le centre de gravité de la cargaison est élevé.
- Faites preuve d'une extrême prudence et sécurisez la charge lorsque vous manipulez des charges excentrées qui ne peuvent être centrées.
- Lorsque vous conduisez avec une charge excédant la dimension de la boîte de chargement, la stabilité et la manœuvrabilité peuvent être défavorablement affectées et provoquer le renversement du véhicule.
- Le remorquage d'une charge pendant le transport de marchandises peut entraîner un déséquilibre qui augmente les risques de renversement du véhicule. Équilibrez les charges proportionnellement, mais ne dépassez pas la capacité de charge indiquée.
- Attachez toujours la remorque à l'aide du point d'attelage et de la quincaillerie spécialement conçus pour le remorquage.
- Il n'est pas recommandé d'utiliser des chaînes, des sangles, des cordes ou d'autres matériaux pour remorquer des objets, car ces articles pourraient se coincer dans les roues arrière, entraînant des dommages au véhicule ou des blessures.
- Pendant le remorquage, le véhicule ne doit jamais dépasser 16 km/h (10 mi/h) pour remorquer une charge sur surface plane. La vitesse du véhicule ne doit jamais dépasser 8 km/h (5 mi/h) lors du remorquage de charges sur un terrain accidenté, dans les virages ou en montant ou descendant une colline.
- Lorsque le véhicule est à l'arrêt ou stationné, bloquez les roues du véhicule et de la remorque pour éviter tout déplacement.
- Soyez prudent lorsque vous déconnectez une remorque chargée ; elle ou sa charge peut basculer sur vous ou sur d'autres personnes.

## CONDUITE ET PRATIQUE EN TOUTE SÉCURITÉ

CAPACITÉ DE TRANSPORT MAXIMALE			
Type d'accessoire	Charge de remorque autorisée	Poids d'attelage de remorque autorisé	Remarque
Support de boule d'attelage de 2 po (51 mm X 51 mm)	2500 lb. (1134 kg)	99 lb. (45 kg)	Comprend la remorque et le chargement de la remorque.

### AVERTISSEMENT

Lorsque la charge de la remorque approche 2 500 lb. (1 134 kg) et que le véhicule est utilisé sur une surface plane, pour assurer la sécurité et éviter tout dommage au véhicule, les mesures suivantes doivent être prises :

- Le véhicule est déchargé
- Passer au 4x4
- Réduisez la vitesse à moins de 19 km/h (12 mph).
- Utilisez une vitesse basse pour augmenter la traction et la stabilité.

## CONDUITE ET PRATIQUE EN TOUTE SÉCURITÉ

### Fonctionnement du treuil

#### (Certains marchés)

Votre véhicule peut être équipé d'un treuil qui peut tirer certaines capacités et types de charges. Il est utile pour l'auto-récupération du véhicule lorsqu'il est coincé, pour aider un autre véhicule à récupérer, déplacer les arbres tombés, enlever les broussailles, etc.

Envisagez de vous entraîner au fonctionnement et à l'utilisation de votre treuil avant d'avoir réellement besoin de l'utiliser.

Les avertissements de sécurité, les précautions d'utilisation et les instructions de cette section s'appliquent si votre véhicule est équipé d'un treuil ou si vous choisissez d'installer un treuil accessoire sur votre véhicule :

#### Avertissements de sécurité du treuil

Ces avertissements de sécurité s'appliquent si votre véhicule est équipé d'un treuil ou si vous choisissez d'installer un treuil accessoire sur votre véhicule :

- Lisez et comprenez toutes les sections de ce manuel.
- Une mauvaise utilisation du treuil ou le non-respect des directives, instructions et avertissements du treuil contenus dans ce manuel peuvent entraîner des BLESSURES GRAVES ou LA MORT.
- Un entretien et un service incorrects ou insuffisants du treuil peuvent entraîner des BLESSURES GRAVES ou LA MORT.
- Gardez toujours le corps, les cheveux, les vêtements et les bijoux à l'écart du câble du treuil, du guide-câble et du crochet pendant le fonctionnement du treuil.
- Gardez toujours la zone autour du véhicule, du treuil, du câble de treuil et de la charge à l'écart des personnes, des animaux domestiques et des distractions pendant le fonctionnement du treuil.

## **CONDUITE ET PRATIQUE EN TOUTE SÉCURITÉ**

- Portez toujours des lunettes de protection et des gants épais pendant le fonctionnement du treuil.
- N'utilisez jamais d'alcool ou de drogues avant ou pendant l'utilisation du treuil.
- Ne laissez jamais des enfants de moins de 16 ans utiliser le treuil.
- N'essayez jamais de « secouer » une charge attachée au treuil en déplaçant le véhicule.
- Ne jamais treuiller vers le haut ou vers le bas, ou sur les côtés à des angles vifs. Cela peut déstabiliser le véhicule de treuil et éventuellement le faire bouger sans avertissement.
- N'essayez jamais de treuiller des charges qui pèsent plus que la capacité nominale du treuil.
- Ne jamais toucher, pousser, tirer ou chevaucher le câble pendant le treuil d'une charge.
- Ne laissez jamais le câble du treuil passer entre vos mains, même si vous portez des gants épais.
- Ne jamais relâcher le tambour du treuil lorsque le câble du treuil est sous charge.
- N'utilisez jamais le treuil pour soulever ou transporter des personnes.
- N'utilisez jamais le treuil pour lever ou suspendre une charge verticale.
- Ne rétractez jamais complètement le crochet dans le treuil. Cela peut endommager les composants du système.
- N'utilisez jamais le treuil ou le véhicule s'ils ont besoin d'être réparés ou entretenus.
- Mettez toujours le contacteur d'allumage sur OFF et débranchez la télécommande (le cas échéant) pour éviter une activation par inadvertance ou une utilisation non autorisée lorsque le véhicule ou le treuil ne sont pas utilisés.

## CONDUITE ET OPÉRATION

### Précautions d'utilisation du treuil

Ce véhicule est équipé d'un treuil, ou si vous choisissez d'installer un treuil accessoire sur votre véhicule :

- Inspectez toujours votre treuil et son câble avant chaque utilisation.
- Utilisez toujours la sangle à crochets fournie lorsque vous tirez ou guidez le câble vers l'intérieur. Ne saisissez jamais le crochet.
- Alignez toujours la charge directement devant le véhicule et treuil autant que possible. Évitez de treuiller avec le câble à un angle aigu par rapport à l'axe central du véhicule de treuillage dans la mesure du possible.
- Si le treuillage à un angle est inévitable, suivez ces précautions lors de l'utilisation:
  - A. Regardez le tambour du treuil de temps en temps. Ne laissez jamais le câble du treuil s'empiler ou s'accumuler à une extrémité du tambour. Trop de câble à une extrémité du tambour peut endommager le treuil et le câble.
  - B. Si un empilement de câbles se produit, arrêtez le treuillage. Suivez la section « Directives pour l'enroulement du câble du treuil » dans ce manuel pour redistribuer le câble uniformément avant de continuer.
- Toujours appliquer le frein de stationnement et/ou le mécanisme de stationnement du véhicule pour maintenir le véhicule en place pendant le treuillage. Utilisez des cales de roue si nécessaire.
- Maintenez toujours au moins cinq tours complets de câble enroulés autour du tambour du treuil à tout moment. La friction fournie par le câble enroulé permet au tambour de tirer sur le câble du treuil et de déplacer la charge.

## CONDUITE ET OPÉRATION

- Ne jamais graisser ou huiler le câble du treuil. Cela amènera le câble du treuil à collecter des débris qui réduiront la durée de vie du câble.
- Le moteur du treuil et le connecteur du relais peuvent devenir chauds pendant une utilisation continue. Lors du treillage pendant plus de 45 secondes, ou si le treuil cale pendant le fonctionnement, arrêtez-vous et laissez les composants du treuil refroidir pendant au moins 10 minutes avant de l'utiliser à nouveau.
- Ne jamais faire fonctionner le treuil sans faire tourner le moteur. Le système de charge du moteur aide à maintenir la batterie en bon état. La capacité de réserve de la batterie peut être rapidement épuisée par une utilisation intensive du treuil, rendant le système de démarrage inopérant.
- Travaillez toujours avec le souci de l'environnement. Ne pas endommager volontairement les arbres, etc.

### Fonctionnement de base du treuil

Suivez ces instructions d'utilisation si votre véhicule est équipé d'un treuil ou si vous choisissez d'installer un treuil accessoire sur votre véhicule. Lisez les **avertissements de sécurité du treuil** et les précautions d'utilisation du treuil dans les pages précédentes avant d'utiliser votre treuil.

## CONDUITE ET OPÉRATION

### AVANT DE COMMENCER - Sachez que chaque situation de treuillage est unique.

- Procédez lentement et délibérément.
  - Ne vous pressez jamais ou ne vous précipitez jamais pendant le treuillage.
  - Faites toujours attention à votre environnement.
  - Soyez prêt à changer votre stratégie de treuillage si elle ne fonctionne pas.
  - N'oubliez pas que même si votre treuil est très puissant, il existe simplement certaines situations que vous et le treuil ne pourrez pas gérer. N'ayez pas peur de demander de l'aide aux autres lorsque cela est nécessaire.
1. Inspectez toujours le véhicule, le treuil, le câble et les commandes pour détecter tout signe de dommage ou pièces nécessitant des réparations avant chaque utilisation. Portez une attention particulière aux 3 premiers pieds (1 mètre) du câble du treuil si le treuil est utilisé (ou a été utilisé) pour soulever une charrue. Remplacez rapidement tout câble usé ou endommagé.
  2. Serrez le frein de stationnement et/ou le mécanisme de stationnement du véhicule pour maintenir le véhicule en place pendant le treuillage. Utilisez des cales de roue si nécessaire.
  3. Relâchez le tambour du treuil et tirez la longueur de câble requise. Utilisez toujours la sangle du crochet pour manipuler le crochet. Ne retirez jamais la sangle du crochet du crochet.

#### ATTENTION

**Maintenez toujours un minimum de cinq (5) tours complets de câble autour du tambour du treuil à tout moment. La friction fournie par l'enroulement du câble permet au tambour de tirer sur le câble et de déplacer la charge.**

4. Attachez le crochet à la charge ou utilisez une sangle ou une chaîne de remorquage pour fixer la charge au crochet du treuil. Ne jamais raccrocher le câble du treuil sur lui-même. Cela peut endommager le câble du treuil et entraîner une défaillance du câble.

## CONDUITE ET OPÉRATION

### AVERTISSEMENT

**N'utilisez jamais de sangle de récupération pour le treuillage. Les sangles de récupération sont conçues pour s'étirer et pourraient libérer une énergie excessive pouvant entraîner des BLESSURES GRAVES ou LA MORT en cas de rupture de la sangle ou du câble du treuil. N'utilisez que des sangles de remorquage qui ne s'étirent pas.**

5. Réengagez le tambour du treuil.
6. Treuillez lentement dans le mou du câble du treuil jusqu'à ce qu'il disparaisse, puis arrêtez-vous et suivez les instructions pour « l'amortissement du treuil » pour assurer un fonctionnement sûr :
  - A. Placez un amortisseur au milieu de la longueur du câble du treuil pour absorber l'énergie qui pourrait être libérée par une défaillance du câble du treuil. Un amortisseur peut être une veste lourde, une bâche ou tout autre objet mou et dense. Un amortisseur peut absorber une grande partie de l'énergie libérée si le câble casse pendant le treuillage. Même une branche d'arbre peut servir d'amortisseur si aucun autre élément n'est à votre disposition.
  - B. Posez l'amortisseur au-dessus du point médian de la longueur du câble du treuil.
  - C. Sur une longue traction, il peut être nécessaire d'arrêter le treuillage afin que l'amortisseur puisse être repositionné à un nouveau point médian. Relâchez toujours la tension sur le câble du treuil avant de repositionner l'amortisseur.
  - D. Dans la mesure du possible, évitez d'être directement aligné avec le câble du treuil. De plus, ne laissez jamais d'autres personnes se tenir à proximité ou en ligne avec le câble du treuil pendant le fonctionnement du treuil.
7. Arrêtez le treuillage dès que le travail est terminé ou que la charge peut être déplacée sans l'aide du treuil.
8. Détachez le crochet du treuil, puis enroulez le câble uniformément sur le tambour en suivant les instructions de ce manuel.



## CONDUITE ET PRATIQUE EN TOUTE SÉCURITÉ

### Méthodes de récupération de véhicule

#### Auto-récupération du véhicule :

- A. Relâchez le tambour du treuil et tirez la longueur de câble requise.
- B. Dans la mesure du possible, choisissez un point d'ancrage qui aligne le câble du treuil sur l'axe du véhicule aussi près que possible. Cela facilitera l'enroulement du câble du treuil et réduira la charge sur le guide-câble.
- C. Attachez le crochet du treuil à un point d'ancrage. **REMARQUE** : Si vous libérez un véhicule coincé en l'attachant à un arbre, utilisez un élément tel qu'une sangle de remorquage pour éviter d'endommager l'arbre pendant le fonctionnement du treuil. Les câbles et chaînes tranchants peuvent endommager et même tuer les arbres. Respectez toujours l'environnement.
- D. Réengagez le tambour du treuil.
- E. Treuil lentement dans tout mou dans le câble de treuil, puis amortissez-le.
- F. Passez au rapport le plus bas disponible qui propulsera le véhicule dans le sens du treuillage.
- G. Appliquez avec précaution la puissance du treuil et l'accélérateur ensemble pour libérer le véhicule.

#### ATTENTION

**L'utilisation simultanée de l'accélérateur du véhicule et du treuillage présente un risque et est facultative. Placez le véhicule au point mort et utilisez uniquement le treuil si vous n'êtes pas sûr de vos capacités de fonctionnement.**

- H. Arrêtez le treuillage dès que le véhicule coincé est capable de se propulser sans l'aide du treuil.
- I. Détachez le crochet du treuil, puis enroulez le câble uniformément sur le tambour en suivant les instructions de ce manuel.

## CONDUITE ET PRATIQUE EN TOUTE SÉCURITÉ

### ATTENTION

**La SEULE fois qu'un véhicule équipé d'un treuil doit se déplacer et utiliser le treuil est pour l'auto-récupération. Le véhicule équipé d'un treuil ne doit JAMAIS utiliser un mouvement pour charger par un choc le câble du treuil dans le but de récupérer un deuxième véhicule coincé. Voir la section « Chargement des chocs du treuil » dans ce manuel pour plus d'informations.**

#### Méthodes de récupération d'un autre véhicule

- A. Relâchez le tambour du treuil et tirez la longueur de câble nécessaire.
- B. Attachez le crochet du treuil au véhicule. Dans la mesure du possible, choisissez un point d'ancrage sur le véhicule coincé qui aligne le câble du treuil sur l'axe du véhicule de treuil aussi près que possible. Cela facilitera l'enroulement du câble du treuil et réduira la charge sur le guide-câble

### ATTENTION

**Ne jamais attacher le crochet du treuil à un élément de suspension, un pare-broussailles, un pare-chocs ou un porte-bagages. Des dommages au véhicule peuvent en résulter. Attachez toujours le crochet à la partie disponible la plus solide du châssis ou de l'attelage du véhicule.**

- C. Réengagez le tambour du treuil.
- D. Treuillez lentement dans tout mou dans le câble de treuil, puis amortissez-le.
- E. Passez au rapport le plus bas disponible sur le véhicule coincé qui le propulsera dans le sens du treuillage.
- F. Appliquez avec précaution la puissance du treuil et l'accélérateur du véhicule coincé ensemble pour le libérer.
- G. Arrêtez le treuillage dès que le véhicule coincé est capable de se propulser sans l'aide du treuil.
- H. Détachez le crochet du treuil, puis enroulez le câble uniformément sur le tambour en suivant les instructions de ce manuel.

## CONDUITE ET OPÉRATION

### Entretien du câble du treuil

Inspectez toujours votre câble de treuil avant chaque utilisation pour déceler tout câble de treuil usé ou plié. N'utilisez jamais un câble endommagé. Suivez ces directives pour l'inspection et l'utilisation :

- Un câble de treuil fait de câble métallique qui est plié, déformé ou plié est définitivement et gravement endommagé. Cessez immédiatement d'utiliser un câble de treuil dans cet état. Un câble de treuil entortillé fait d'un câble métallique qui a été « redressé », même s'il peut sembler utilisable, a été définitivement et gravement endommagé. Il ne peut plus atteindre sa capacité de charge nominale. Cessez immédiatement d'utiliser un câble de treuil dans cet état.
- Un câble de treuil fait de corde synthétique doit être inspecté pour des signes d'effilochage. Remplacez le câble en cas d'effilochage. Cessez immédiatement d'utiliser un câble de treuil dans cet état.
- Remplacez le câble de treuil synthétique si des fibres fondues ou fondues sont découvertes. La corde synthétique sera rigide et apparaîtra lisse ou glacée dans la section endommagée. Cessez immédiatement d'utiliser un câble de treuil dans cet état.
- Ne remplacez jamais un câble de treuil synthétique par un câble en polymère de qualité grand public. N'utilisez que des câbles spécialement conçus pour le treuil.
- Ne jamais graisser ou huiler un câble de treuil à câble. Cela amènera leA câble à collecter des débris qui réduiront la durée de vie du câble.
- N'utilisez jamais le treuil avec un crochet ou un loquet endommagé. Remplacez toujours les pièces endommagées avant d'utiliser le treuil.

#### AVERTISSEMENT

**Remplacez le câble et les composants du treuil au premier signe de dommage afin d'éviter des BLESSURES GRAVES ou LA MORT en cas de bris.**

## CONDUITE ET OPÉRATION

### Directives d'enroulement de câble de treuil

Une fois le treuillage terminé, en particulier si le treuillage est incliné, il peut être nécessaire de réenrouler le câble du treuil uniformément sur le tambour. Cela réduit les chances que le câble du treuil se « coince » entre les couches inférieures du câble. Vous aurez besoin d'un assistant pour effectuer cette tâche :

- A. Relâchez le tambour du treuil.
- B. Retirez le câble du treuil qui est enroulé de manière inégale sur le tambour.
- C. Réengagez le tambour du treuil.
- D. Demandez à un assistant de tirer fermement sur la sangle du crochet du câble du treuil pour appliquer environ 100 lb (45 kg) de tension.
- E. Treuiller lentement le câble pendant que l'assistant déplace l'extrémité du câble d'avant en arrière horizontalement pour le répartir uniformément sur le tambour.

## CONDUITE ET OPÉRATION

### Charge de choc du treuil

Votre treuil (si équipé) est conçu et testé pour résister aux charges produites lorsqu'il est utilisé à partir d'un véhicule à l'arrêt. Rappelez-vous toujours que le treuil, le câble et les composants ne sont PAS conçus pour résister aux chocs. Suivez ces directives :

- N'essayez jamais de « secouer » une charge avec le treuil. Par exemple, ne rattrapez jamais le mou du câble en déplaçant le véhicule de treuil pour tenter de déplacer un objet. Il s'agit d'une pratique dangereuse qui génère des charges élevées pouvant dépasser la résistance des composants. Même un véhicule lent peut créer une charge de choc importante qui peut causer des dommages.
- Ne jamais allumer et éteindre rapidement le treuil à plusieurs reprises. Il s'agit d'une forme de charge de choc. Cela exerce une charge supplémentaire sur les composants du treuil, le câble, et génère une chaleur excessive dans l'ensemble moteur et relais.
- Ne remorquez jamais un véhicule ou autre objet avec votre treuil. Le remorquage avec un treuil produit une charge de choc même lors du remorquage à basse vitesse. Le remorquage à partir du treuil positionne également la force de remorquage élevée sur le véhicule, ce qui peut provoquer une instabilité du véhicule et la possibilité d'un accident.
- N'utilisez jamais de sangles de récupération avec votre treuil. Il s'agit d'une forme de charge de choc. Les sangles de récupération sont conçues pour s'étirer et peuvent stocker de l'énergie. L'énergie stockée dans la sangle de récupération est libérée en cas de panne, ce qui rend l'événement encore plus dangereux. De même, n'utilisez jamais de cordes élastiques « bungee » pour le treillage.
- N'utilisez jamais le treuil pour attacher le véhicule à une remorque ou à une autre unité de transport. Il s'agit d'une forme de charge de choc qui peut endommager les composants du treuil, le câble ou l'unité de transport.

## ENTRETIEN

### Entretien

Suivre le calendrier d'entretien de votre guide de l'utilisateur vous aidera à maintenir votre véhicule dans l'état le plus sûr et le plus fiable possible. La vérification, le réglage et la lubrification des composants importants sont expliqués dans les calendriers d'entretien.

Vérifiez, nettoyez, lubrifiez, ajustez et remplacez les pièces si nécessaire. Lorsque la vérification révèle le besoin de pièces de rechange, utilisez toujours des pièces d'origine disponibles auprès de votre concessionnaire.

#### **REMARQUE :**

Un entretien et des ajustements périodiques sont essentiels. Si vous n'êtes pas familiarisé avec l'exécution des procédures d'entretien et de réglage en toute sécurité, demandez à un concessionnaire qualifié d'effectuer l'entretien requis pour vous.

#### **REMARQUE :**

Faites particulièrement attention au niveau d'huile moteur pendant le fonctionnement par temps froid. Une élévation du niveau d'huile moteur peut indiquer que des contaminants s'accumulent dans le carter d'huile ou le carter. Changez l'huile immédiatement si le niveau d'huile commence à monter. Surveillez le niveau d'huile et, s'il continue d'augmenter, arrêtez l'utilisation et déterminez la cause ou consultez votre concessionnaire.

## ENTRETIEN

### Définition d'utilisation abusive

CFMOTO définit l'utilisation abusive comme étant :

- Une immersion fréquente dans la boue, l'eau ou le sable
- De la course ou une utilisation à haute vitesse de style course
- Une conduite prolongée à basse vitesse et lourde charge
- Un fonctionnement prolongé à faible régime moteur
- Une utilisation de courte durée par temps froid
- Une utilisation dans des opérations commerciales

**Si l'utilisation de votre véhicule correspond à l'une de ces définitions, réduisez les intervalles d'entretien de 50 %.**

## ENTRETIEN

### Calendrier d'entretien périodique et icône clé

Les intervalles d'entretien dans les programmes suivants sont basés sur des conditions de conduite moyennes et une vitesse de fonctionnement moyenne d'environ 20 km/h (12,4 mi/h). Les véhicules soumis à une utilisation sévère ou commerciale doivent être inspectés et entretenus plus fréquemment.

Les touches d'icônes suivantes sont utilisées pour noter des circonstances spéciales :

- ▶ = Article à usage intensif. Réduisez l'intervalle de 50 % sur les véhicules soumis à une utilisation intensive.
- = Ce composant ou ce système doit être réparé par un concessionnaire autorisé.
- = Composants liés aux émissions. Demandez à un concessionnaire autorisé d'effectuer les réparations impliquant ce composant ou ce système.

#### AVERTISSEMENT

Les procédures marquées « ■ » signifient que si une réparation est nécessaire, demandez à un concessionnaire autorisé d'effectuer les réparations qui impliquent ce composant ou système. Une exécution incorrecte de la procédure peut entraîner une défaillance des composants et des blessures graves ou mortelles.



## ENTRETIEN

### Points clés du calendrier de lubrification

Vérifiez tous les composants aux intervalles indiqués dans le programme d'entretien périodique. Les éléments non répertoriés dans le calendrier de lubrification doivent être lubrifiés à l'intervalle de lubrification générale.

- Changez les lubrifiants plus souvent en cas d'utilisation sévère, par exemple dans des conditions humides ou poussiéreuses.
- Utilisez de la graisse toutes saisons sur les points de pivot.
- Lubrifiez tous les 800 km, avant de longues périodes d'entreposage, après le nettoyage ou après immersion du système d'entraînement.

Élément	Lubrifiant	Méthode
Huile à moteur	SAE 10W-40/SAE 5W-40 SAE 15W-40 (Voir la page 292 pour charte des viscosités)	Dévissez, nettoyez, insérez et retirez la jauge pour vérifier le niveau d'huile
Huile à transmission	SAE 75W-90 GL-5	Dévissez, nettoyez, insérez et retirez la jauge pour vérifier le niveau d'huile
Liquide de freins	DOT4	Maintenez le niveau entre les lignes supérieures et inférieures
Huile de carter avant	SAE 80W-90 GL-5	Capacité d'huile : 250 ml (8,5 oz)
Huile de carter arrière	SAE 80W-90 GL-5	Capacité d'huile : 400 ml (13,5 oz)
Pivots de suspension et transmission	Huile toutes saisons	Pistolet à huile - Pompez l'huile jusqu'à ce qu'elle commence à s'écouler du point de pivotement

## ENTRETIEN

### Liste de vérification pré-randonnée

Toujours vérifier les points suivants avant de partir avec votre véhicule :

Élément		Entretien pré-randonnée			
		Heure	Calendrier	Miles (km)	Remarque
■	Système de direction	-	Pre-Randonnée	-	Inspectez visuellement ou vérifiez les composants. Effectuez les ajustements et/ou réparations si nécessaires.
■	Retour des gaz	-	Pre-Randonnée	-	
	Suspension avant et essieux	-	Pre-Randonnée	-	
	Suspension arrière et essieux	-	Pre-Randonnée	-	
	Pneus	-	Pre-Randonnée	-	
	Niveau du liquide de frein	-	Pre-Randonnée	-	
	Fonction levier/pédale de frein	-	Pre-Randonnée	-	
	Fonction système de frein	-	Pre-Randonnée	-	
	Roues/attaches	-	Pre-Randonnée	-	
	Niveau d'huile à moteur	-	Pre-Randonnée	-	
▶	Filtre à air/Boite à air et connexions		Pre-Randonnée	-	Inspectez visuellement. Remplacez le filtre, lorsque sale.

## ENTRETIEN

Élément		Entretien pré-randonnée			
		Heure	Calendrier	Km	Remarque
▶	Tube à sédiments boîte à air	-	Pre-Randonnée	-	Vérifiez. Si des dépôts sont visibles, nettoyez les tubes d'admission, la boîte à air et remplacez le filtre à air.
▶	Tube à sédiments TVC	-	Pre-Randonnée	-	Inspectez si des dépôts sont visibles, nettoyez la TVC ou faites-la vérifier par votre concessionnaire.
■	Visée de phare/Éclairage général et clignotants (si équipé)	-	Pre-Randonnée	-	Vérifiez. Ajustez ou remplacez les lumières lorsque nécessaire.
▶	Radiateur	-	Pre-Randonnée	-	Vérifiez la présence de boue ou de débris bloquant le flux d'air. Nettoyez les surfaces si nécessaire.

- ▶ = Article à usage intensif. Vérifiez souvent les véhicules soumis à une utilisation sévère.
- = Ce composant ou ce système doit être réparé par un concessionnaire autorisé.
- = Composants liés aux émissions. Demandez à un concessionnaire autorisé d'effectuer les réparations impliquant ce composant ou ce système.

## ENTRETIEN

### Calendrier d'entretien - Période de rodage

Effectuez les tâches de maintenance suivantes pendant la période de rodage :

Élément		Entretien pendant la période de rodage (Effectuez à l'intervalle qui survient en premier)			
		Heure	Calendrier	Km (Miles)	Remarque
	Lubrification générale	20	-	320 (200)	Lubrifiez tous les points de graissage, pivots, câbles, etc.
	Huile moteur / filtre / crépine	20	-	320 (200)	Changez l'huile et le filtre. Nettoyez la crépine d'huile.
▶	Filtre à air du moteur	20	-	320 (200)	Vérifiez, remplacez si nécessaire ; ne pas nettoyer.
■	Jeu des soupapes du moteur	20	-	320 (200)	Vérifiez et ajustez si nécessaire.
	Huile de carter avant/arrière	20	-	320 (200)	Vérifiez le niveau. Surveillez pour des fuites.
	Liquide de refroidissement	20	-	320 (200)	Vérifiez le niveau. Surveillez pour des fuites.
	Huile à transmission	20	-	320 (200)	Vérifiez le niveau.
	Tuyaux, joints et joints d'étanchéité moteur	20	-	320 (200)	Surveillez pour des fuites.
▶	Plaquettes de frein	20	-	320 (200)	Vérifiez l'épaisseur des plaquettes.

## ENTRETIEN

Élément		Entretien pendant la période de rodage (Effectuez à l'intervalle qui survient en premier)			
		Heure	Calendrier	Km (Miles)	Remarque
	Batterie	20	-	320 (200)	Vérifiez les bornes, nettoyez, testez l'état de la batterie si nécessaire.
■	Condition du régime ralenti du moteur	20	-	320 (200)	Vérifiez que le régime moteur est adéquat. Consultez un concessionnaire si le T/MIN est hors spécifications ou instable.
■	Alignement / direction des pneus	20	-	320 (200)	Vérifiez le système de direction. Consultez votre concessionnaire si un alignement est nécessaire.
▶	Pédale de frein / Frein de stationnement	20	-	320 (200)	Vérifiez qu'ils fonctionnent. Ajustez au besoin.
	Boîte de vitesse, arbres CV et arbre	20	-	320 (200)	Surveillez pour des fuites.

- ▶ = Article à usage intensif. Vérifiez souvent les véhicules soumis à une utilisation sévère.
- = Ce composant ou ce système doit être réparé par un concessionnaire autorisé.
- = Composants liés aux émissions. Demandez à un concessionnaire autorisé d'effectuer les réparations impliquant ce composant ou ce système.

## ENTRETIEN

### Calendrier d'entretien périodique

Effectuer l'entretien à l'intervalle qui arrive en premier après la période de rodage :

Élément		Intervalles d'entretien périodique (Effectuer à l'intervalle qui arrive en premier)			
		Heure	Calendrier	Km (Miles)	Remarque
▶	Les plaquettes de frein	10	1M	100 (160)	Inspectez l'épaisseur du tampon.
	Batterie	100	12M	1000 (1600)	Vérifiez les bornes. Nettoyez et testez l'état de la batterie si nécessaire.
	Durites moteur, joints et joints	20	--	200 (320)	Inspectez les fuites.
▶	Filtre à air	50	--	500 (800)	Inspectez toujours avant le départ. Inspectez fréquemment s'il est soumis à une utilisation intensive. Remplacez-le s'il est sale. Ne pas nettoyer.
▶	Tamis / filtre de filtre d'admission d'air TVC	50	--	500 (800)	Nettoyez le tamis ou le filtre, remplacez-le par un neuf si nécessaire.
▶	Lubrification générale	50	3M	500 (800)	Lubrifiez tous les raccords, pivots, câbles, etc.

- ▶ = Article à usage intensif. Vérifiez souvent les véhicules soumis à une utilisation sévère.
- = Ce composant ou ce système doit être réparé par un concessionnaire autorisé.
- = Composants liés aux émissions. Demandez à un concessionnaire autorisé d'effectuer les réparations impliquant ce composant ou ce système.

## ENTRETIEN

Élément		Intervalles d'entretien périodique (Effectuer à l'intervalle qui arrive en premier)			
		Heure	Calendrier	Km (Miles)	Remarque
▶	Huile de carter de transmission avant	100	12M	1600 (1000)	Inspectez le niveau. Changez chaque année si les heures ou l'intervalle de distance ne sont pas respectés.
▶	Huile de carter de vitesse arrière	100	12M	1600 (1000)	Inspectez le niveau. Changez chaque année si les heures ou l'intervalle de distance ne sont pas respectés.
▶	Huile moteur / filtre à huile / crépine à huile	100	12M	1600 (1000)	Inspectez le changement de couleur. Changer si la crépine est sale et propre. Changez chaque année si les heures ou l'intervalle de distance ne sont pas respectés.
	Système de refroidissement	50	6M	800 (500)	Testez la résistance du liquide de refroidissement. Système de test de pression chaque année.

- ▶ = Article à usage intensif. Vérifiez souvent les véhicules soumis à une utilisation sévère.
- = Ce composant ou ce système doit être réparé par un concessionnaire autorisé.
- = Composants liés aux émissions. Demandez à un concessionnaire autorisé d'effectuer les réparations impliquant ce composant ou ce système.

## ENTRETIEN

Élément		Intervalles d'entretien périodique (Effectuer à l'intervalle qui arrive en premier)			
		Heure	Calendrier	Km (Miles)	Remarque
▶	Radiateur	50	6M	800 (500)	Inspecter; nettoyer les surfaces extérieures. Nettoyer plus fréquemment s'il est soumis à une utilisation intensive.
■	Système de direction	50	6M	800 (500)	Inspecter. Lubrifier.
▶	Suspension avant	50	6M	800 (500)	Lubrifier. Vérifiez les fixations.
▶	Suspension arrière	50	6M	800 (500)	Lubrifier. Vérifiez les fixations.
▶	Changement de vitesse	50	1M	800 (500)	Inspectez, lubrifiez, ajustez si nécessaire.
▶ ■	Corps de papillon / câble d'accélérateur	50	6M	800 (500)	Inspecter. Nettoyer les dépôts de carbone. Inspectez le câble et lubrifiez-le fréquemment s'il est soumis à une utilisation intensive.

- ▶ = Article à usage intensif. Vérifiez souvent les véhicules soumis à une utilisation sévère.
- = Ce composant ou ce système doit être réparé par un concessionnaire autorisé.
- = Composants liés aux émissions. Demandez à un concessionnaire autorisé d'effectuer les réparations impliquant ce composant ou ce système.



## ENTRETIEN

Élément		Intervalles d'entretien périodique (Effectuer à l'intervalle qui arrive en premier)			
		Heure	Calendrier	Km (Miles)	Remarque
▶ ■	Courroie d'entraînement TVC	100	12M	1600 (1000)	Inspecter. Remplacez si nécessaire. Consultez votre revendeur pour le service.
■	Entraînement TVC et poulies menées	100	12M	1600 (1000)	Nettoyer et inspecter les poulies. Remplacez les pièces usées. Consultez votre revendeur pour le service.
	Filtre à carburant et durites	100	24M	3200 (2000)	Inspectez le cheminement et l'état. Remplacez le filtre et les flexibles haute pression tous les 4 ans.
	Tuyaux de refroidissement	100	--	1600 (1000)	Inspectez le cheminement et l'état.
▶	Le jeu des soupapes	100	--	3200 (2000)	Inspectez et ajustez si nécessaire. Consultez votre revendeur pour le service.

- ▶ = Article à usage intensif. Vérifiez souvent les véhicules soumis à une utilisation sévère.
- = Ce composant ou ce système doit être réparé par un concessionnaire autorisé.
- = Composants liés aux émissions. Demandez à un concessionnaire autorisé d'effectuer les réparations impliquant ce composant ou ce système.

## ENTRETIEN

Élément		Intervalles d'entretien périodique (Effectuer à l'intervalle qui arrive en premier)			
		Heure	Calendrier	Km (Miles)	Remarque
●	Système de carburant	100	12M	800 (500)	Inspectez le réservoir de carburant, le bouchon, la pompe à carburant et le relais de la pompe à carburant.
	Bougie d'allumage	100	24M	3200 (2000)	Inspecter; Remplacez-le s'il est usé ou encrassé.
■	Supports moteur	100	12M	2400 (1500)	Inspecter l'état.
	Tuyau d'échappement et pare-étincelles	100	12M	800 (500)	Inspecter. Nettoyer le pare-étincelles.
▶	Câblage, fusibles, connecteurs, relais et câbles	100	12M	1600 (1000)	Inspectez le routage des câbles pour vérifier l'usure et la sécurité. Appliquez de la graisse diélectrique si nécessaire sur les connecteurs soumis à l'eau, à la boue, etc.

- ▶ = Article à usage intensif. Vérifiez souvent les véhicules soumis à une utilisation sévère.
- = Ce composant ou ce système doit être réparé par un concessionnaire autorisé.
- = Composants liés aux émissions. Demandez à un concessionnaire autorisé d'effectuer les réparations impliquant ce composant ou ce système.

## ENTRETIEN

Élément		Intervalles d'entretien périodique (Effectuer à l'intervalle qui arrive en premier)			
		Heure	Calendrier	Km (Miles)	Remarque
▶ ■	Roulements de roue	100	12M	2400 (1500)	Inspectez le bruit ou le jeu. Remplacez si nécessaire.
▶	Ceinture de sécurité	100	12M	3200 (2000)	Inspectez visuellement les ceintures et testez les loquets. Nettoyez le mécanisme de verrouillage plus souvent s'il est utilisé dans des conditions difficiles. Remplacez-le si nécessaire.
▶	Huile de transmission (moteur 1000)	200	12M	3200 (2000)	Inspectez le niveau. Changez chaque année si les heures ou l'intervalle de distance ne sont pas respectés.
	Liquide de refroidissement	200	24M	6400 (4000)	Changez le liquide de refroidissement tous les 2 ans si l'intervalle d'heures ou de distance n'est pas respecté.

- ▶ = Article à usage intensif. Vérifiez souvent les véhicules soumis à une utilisation sévère.
- = Ce composant ou ce système doit être réparé par un concessionnaire autorisé.
- = Composants liés aux émissions. Demandez à un concessionnaire autorisé d'effectuer les réparations impliquant ce composant ou ce système.

## ENTRETIEN

Élément		Intervalles d'entretien périodique (Effectuer à l'intervalle qui arrive en premier)			
		Heure	Calendrier	Km (Miles)	Remarque
▶	Liquide de frein	200	24M	1600 (1000)	Inspectez le liquide pour déceler tout changement de couleur. Changez le liquide tous les deux ans.
	État de ralenti	--	12M	--	Inspectez le régime approprié. Consultez votre revendeur pour un entretien s'il est hors spécifications ou irrégulier.
■	Direction/alignement des roues	--	12M	--	Inspectez le système de direction. Consultez votre concessionnaire pour un entretien chaque fois que des pièces de direction ou un alignement des roues sont nécessaires.
▶	Hauteur du frein à pied	--	12M	--	Inspecter. Remplacez les plaquettes de frein ou ajustez la hauteur si nécessaire.

- ▶ = Article à usage intensif. Vérifiez souvent les véhicules soumis à une utilisation sévère.
- = Ce composant ou ce système doit être réparé par un concessionnaire autorisé.
- = Composants liés aux émissions. Demandez à un concessionnaire autorisé d'effectuer les réparations impliquant ce composant ou ce système.

## ENTRETIEN

### Procédure d'entretien

#### Filtre à air

Vérifiez et changez le filtre à air aux intervalles indiqués dans le calendrier d'entretien. L'élément du filtre à air doit être nettoyé ou remplacé plus souvent si le véhicule est utilisé dans des zones extrêmement poussiéreuses ou humides. Chaque fois que l'entretien du filtre à air est effectué, assurez-vous que l'entrée d'air du boîtier de filtre à air est libre de tout obstruction ou débris. Vérifiez l'étanchéité du joint de caoutchouc du boîtier papillon et des raccords du collecteur. Vérifiez que tous les raccords sont sécurisés pour éviter que tout air non filtré puisse pénétrer dans le moteur.

#### Vérification du boîtier du filtre à air

Il y a un tuyau de contrôle au bas du boîtier du filtre à air. Si de la poussière ou de l'eau est visible dans ce tuyau, videz le tuyau et nettoyez soigneusement le boîtier du filtre à air. Si le véhicule a été submergé, veuillez contacter votre concessionnaire pour vérifier s'il y a de l'eau à l'intérieur du carter du moteur.

#### REMARQUE :

Si une grande quantité d'eau est présente dans le filtre à air, demandez à votre concessionnaire de vérifier si de l'eau a pénétré dans le carter du moteur.

## ENTRETIEN

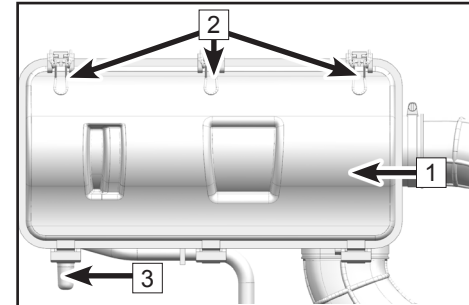
### Entretien du filtre à air

1. Placez le véhicule en stationnement sur une surface plane. Soulevez la boîte de chargement arrière.
2. Desserrez le fermoir et retirez le couvercle du filtre à air.
3. Retirez l'élément filtrant en papier.
4. Vérifiez le filtre papier et confirmez qu'il peut être réinstallé. Brossez doucement la poussière accumulée si nécessaire. Installez un nouveau filtre si nécessaire.

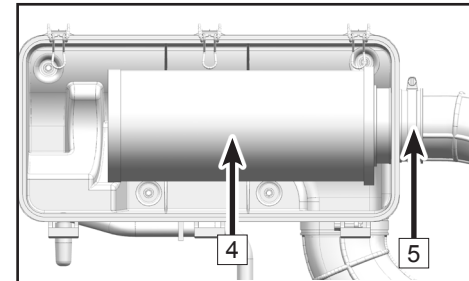
#### REMARQUE :

Ne tentez jamais de nettoyer le filtre en papier, ni de nettoyer le média filtrant en papier avec de l'air comprimé.

5. Appliquez une fine pellicule de lubrifiant sur le diamètre intérieur du joint de caoutchouc du filtre à air.
6. Réinstallez le couvercle du boîtier du filtre à air. Vérifiez que le couvercle est installé correctement et se scelle correctement.



1	Couvercle boîtier filtre à air	
2	Fermoir	3 Tube vérification



4	Élément filtrant en papier	5 Couvercle, attache à ressort
---	----------------------------	--------------------------------

## ENTRETIEN

### Séchage du boîtier du filtre à air après immersion

Si de l'eau a pénétré le boîtier du filtre à air, vidangez-le, retirez le filtre à air et séchez soigneusement les composants. N'utilisez pas d'air comprimé sur le filtre à air en papier. Contactez votre concessionnaire en cas de problèmes de performance du véhicule.

#### ATTENTION

**Ne jamais faire tourner le moteur sans élément de filtre à air. L'air non filtré pénétrant dans le moteur peut causer de l'usure ou l'endommager. Conduire sans filtre à air diminuera également la performance du moteur et peut entraîner une surchauffe.**

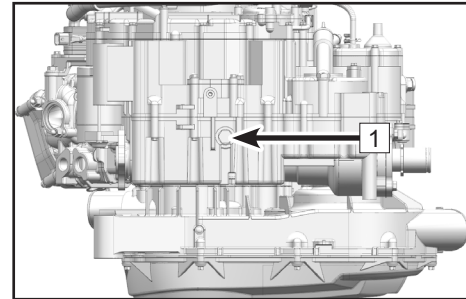
#### ATTENTION

**Des dommages importants peuvent être causés au moteur du véhicule si de l'eau pénètre dans le boîtier du filtre à air et le moteur lui-même. Faites rapidement réparer le véhicule par votre concessionnaire si votre véhicule a été immergé ou calé dans une eau dont le niveau dépasse le bas du repose-pied. Il est important de contacter votre concessionnaire pour un entretien avant de redémarrer le moteur, car de l'eau peut avoir pénétré dans la boîte à air et le moteur.**

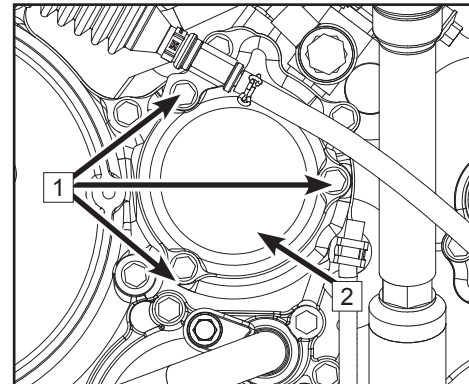
## ENTRETIEN

### Changement d'huile moteur

1. Placez le véhicule en stationnement sur une surface plane.
2. Démarrez le moteur et laissez-le chauffer pendant 2 à 3 minutes, puis arrêtez le moteur.
3. Placez un carter d'huile sous le drain du carter pour récupérer l'huile.
4. Retirez la jauge et essuyez-la.
5. Retirez le boulon de vidange et la rondelle **1** et vidangez l'huile du carter. Confirmez que l'huile est complètement vidangée
6. Retirez les 3 boulons du couvercle du filtre à huile **1**, ouvrez le couvercle du filtre **2** et retirez le filtre.
7. Inspectez le joint torique du couvercle et assurez-vous qu'il est en bon état. Remplacez-le par un neuf s'il est endommagé.
8. Montez le joint torique sur le couvercle du filtre à huile et appliquez une couche d'huile moteur fraîche.



1	Boulon de vidange, huile moteur
---	---------------------------------



1	Boulon d'huile moteur	2	Couvercle du filtre
---	-----------------------	---	---------------------



## ENTRETIEN

9. Installez un nouveau filtre à huile **3**.
10. Montez le couvercle du filtre à huile, puis installez et serrez les boulons du couvercle au couple spécifié.

Couple du boulon du couvercle du filtre à huile : **7,3 pi-lb. (10N·m)**

### REMARQUE :

Assurez-vous que le joint torique **4** est bien installé dans le couvercle.

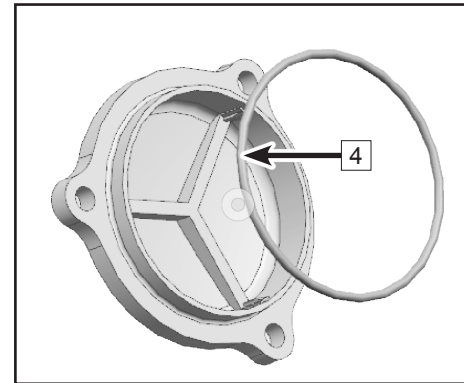
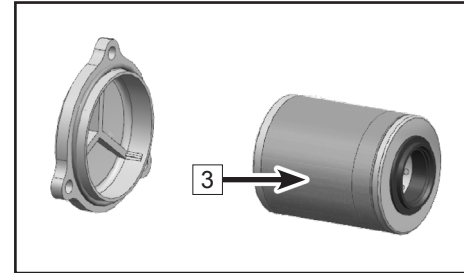
11. Utilisez une nouvelle rondelle de boulon de vidange, puis installez le boulon de vidange et serrez-le au couple spécifié.

Couple du boulon de vidange : **22 pi-lb. (30 N·m)**

12. Ajoutez l'huile recommandée jusqu'au niveau spécifié, puis vissez la jauge d'huile.

Capacité approximative d'huile moteur : **2,5 L (2,64 pintes)**

13. Démarrez le moteur et laissez-le chauffer pendant quelques minutes. Vérifiez les fuites d'huile lorsque le moteur est chaud. Arrêtez immédiatement le moteur en cas de fuite d'huile. Contactez votre revendeur si des fuites sont détectées.
14. Arrêtez le moteur et vérifiez le niveau d'huile. Vérifiez que le niveau d'huile se situe entre les repères supérieur et inférieur de la jauge et ajustez le niveau d'huile en conséquence.
15. Installer et serrer la jauge d'huile.
16. Éliminez l'huile usagée et le filtre de manière appropriée.



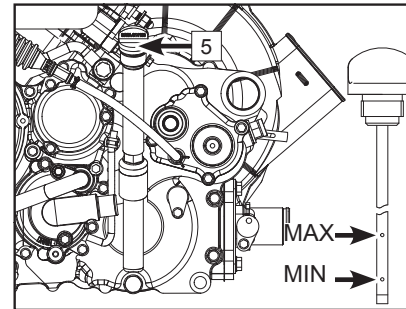
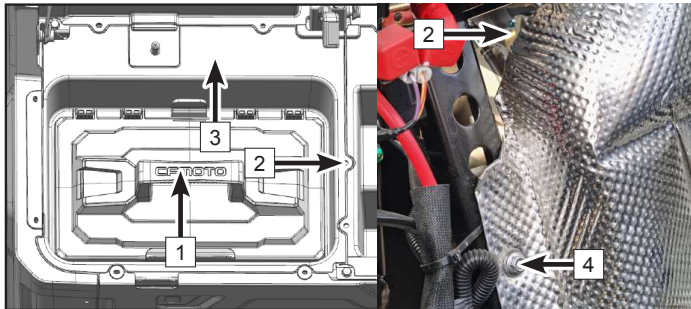
3	Filter à huile	4	Joint torique
---	----------------	---	---------------

## ENTRETIEN

### Huile de transmission

#### Contrôle du niveau d'huile

1. Placez le véhicule en stationnement sur une surface plane. Si le moteur tournait, attendez suffisamment de temps pour que l'huile de transmission se stabilise et refroidisse.
2. Retirez le siège passager et la boîte de rangement [1], retirez la goupille du passe-fil en plastique [2], puis retirez le panneau d'accès [3] en direction du conducteur.
3. Retirez le boulon et la rondelle [4], déplacer la plaque d'isolation thermique et localiser la jauge d'huile de transmission [5].
4. Dévissez la jauge d'huile de transmission [5] retirez-le et essuyez-le avec un chiffon propre.
5. Insérez la jauge dans l'orifice de remplissage d'huile, mais ne la réinstallez pas complètement.
6. Retirez la jauge et vérifiez l'indication du niveau d'huile. Maintenez le niveau d'huile entre les indicateurs supérieur et inférieur.
7. Réinstallez la jauge dans l'orifice de remplissage d'huile et serrez-la à la main.
8. Réinstallez le panneau d'accès et remettez le siège passager dans sa position verrouillée d'origine.



## ENTRETIEN

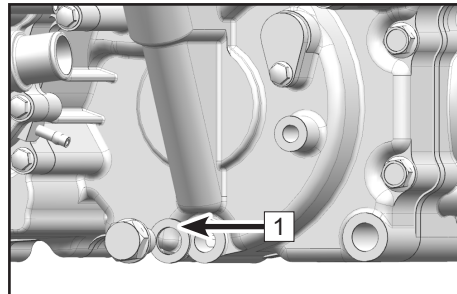
### Vidange d'huile

1. Placez le véhicule en stationnement sur une surface plane. Si le moteur tournait, attendez suffisamment de temps pour que l'huile de transmission se stabilise et refroidisse.
2. Placez un carter d'huile sous l'emplacement de la jauge d'huile de transmission pour récupérer l'huile usagée.
3. Retirez la jauge d'huile de transmission.
4. Retirez le boulon de vidange d'huile **1** au bas de l'emplacement de la jauge et vidangez l'huile.
5. Placez une nouvelle rondelle d'étanchéité sur le boulon de vidange, puis installez et serrez le boulon de vidange selon les spécifications.

Couple du boulon de vidange : **22 pi-lb. (30 N·m)**

Ajoutez la quantité spécifiée d'huile de transmission recommandée à l'emplacement de la jauge d'huile, puis réinstallez la jauge d'huile de transmission et serrez-la à la main.

Type / capacité d'huile de transmission : **SAE75W/90GL-5 / 20 onces. (0,6 L)**



1	Boulon de vidange, transmission
---	---------------------------------

## ENTRETIEN

### Réglage du train

Les jeux de soupapes d'admission et d'échappement changent avec l'utilisation du véhicule, ce qui peut entraîner une mauvaise alimentation en carburant/air ou des bruits de moteur. Pour éviter ceci, les jeux de soupapes doivent être ajustés selon le calendrier d'entretien. Ce réglage doit être effectué par un technicien professionnel. Contactez votre concessionnaire pour le service.

### REMARQUE :

Jeu des soupapes d'admission du moteur (moteur froid) : **.0,002 po ~ 0,005 po (0,06 mm ~ 0,14 mm)**

Jeu des soupapes d'échappement du moteur (moteur froid) : **.0,004 po ~ 0,007 po (0,11 mm ~ 0,19 mm)**

### Vitesse de ralenti du moteur

Ce véhicule est muni d'un système électronique d'injection de carburant. Le boîtier papillon est une partie vitale du système de carburant qui nécessite un réglage très sophistiqué effectué en usine. Il n'y a aucune disposition pour que les consommateurs règlent eux-mêmes le régime de ralenti du moteur. Si les réglages sont perturbés, ceci pourrait causer de mauvaises performances du moteur et par le fait même des dommages. Vérifiez que la vitesse de ralenti du moteur reste stable et contactez votre concessionnaire pour un entretien si nécessaire.

## ENTRETIEN

### Carter d'engrenage avant et arrière

Les carters d'engrenages avant et arrière doivent être inspectés pour détecter des fuites d'huile avant de fonctionner. Si des fuites sont détectées, demandez à votre concessionnaire de vérifier et de réparer le véhicule.

#### Vérification de l'huile du carter d'engrenage avant

1. Placez le véhicule en stationnement sur une surface plane.
2. Retirez le boulon de remplissage d'huile **1** et vérifiez le niveau d'huile. Le niveau doit atteindre le bord du trou. Si le niveau est bas, ajoutez suffisamment d'huile pour l'élever jusqu'au niveau spécifié.
3. Installez le boulon de remplissage d'huile et serrez-le au couple spécifié.

Couple de boulon de remplissage : **18,4 pi-lb. (25 Nm)**

#### Vidange d'huile du carter de vitesse avant

1. Placez le véhicule en stationnement sur une surface plane.
2. Placez un carter d'huile sous le carter d'engrenage pour récupérer l'huile usagée.
3. Retirez le boulon de vidange **2** au bas du carter d'engrenages et vidanger l'huile.
4. Installez le boulon de vidange d'huile et serrez-le au couple spécifié.

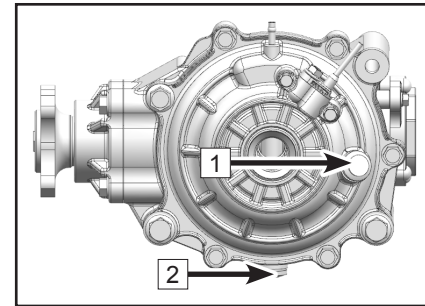
Couple du boulon de vidange : **18.4 ft-lb. (25 Nm)**.

5. Retirez le boulon de remplissage d'huile. Ajoutez suffisamment d'huile pour augmenter le niveau jusqu'au bord de l'orifice de remplissage **1**.

Capacité approximative en huile du carter d'engrenage avant : **8.5 oz. (250 mL)**

6. Installez le boulon de remplissage d'huile et serrez-le au couple spécifié.

Couple de boulon de remplissage : **18,4 pi-lb. (25 Nm)**.



1	Fill Bolt	2	Drain Plug
---	-----------	---	------------

## ENTRETIEN

### Contrôle de l'huile du carter de transmission arrière

En raison de sa conception unique, la vidange et le remplissage du carter d'engrenage arrière sont nécessaires pour produire le niveau d'huile correct. Reportez-vous à la section « Vidange d'huile du carter d'engrenage arrière ».

### Vidange d'huile du carter de vitesse arrière

1. Placez le véhicule en stationnement sur une surface plane.
2. Placez un carter d'huile sous le carter d'engrenage pour récupérer l'huile usagée.
3. Retirez le bouchon de vidange d'huile [2] au bas du carter d'engrenage et vidangez l'huile.
4. Installez le bouchon de vidange d'huile et serrez-le au couple spécifié.

Couple du bouchon de vidange : **18,4 pi-lb. (25 Nm)**

5. Remplissez l'huile du carter d'engrenages dans l'orifice de remplissage [1].

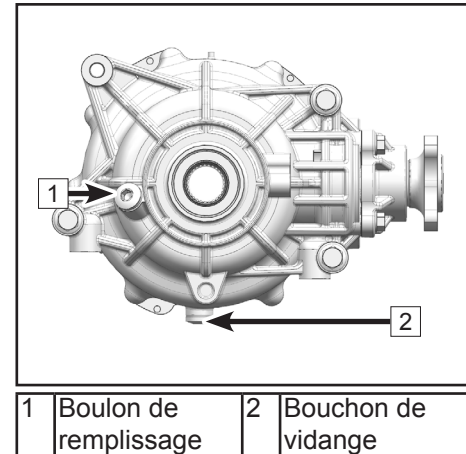
Capacité d'huile du carter de transmission arrière : **13.5 oz. (400mL)**

6. Installez le bouchon de remplissage d'huile et serrez-le au couple spécifié.

Couple de bouchon de remplissage : **18,4 pi-lb. (25 Nm)**

### REMARQUE :

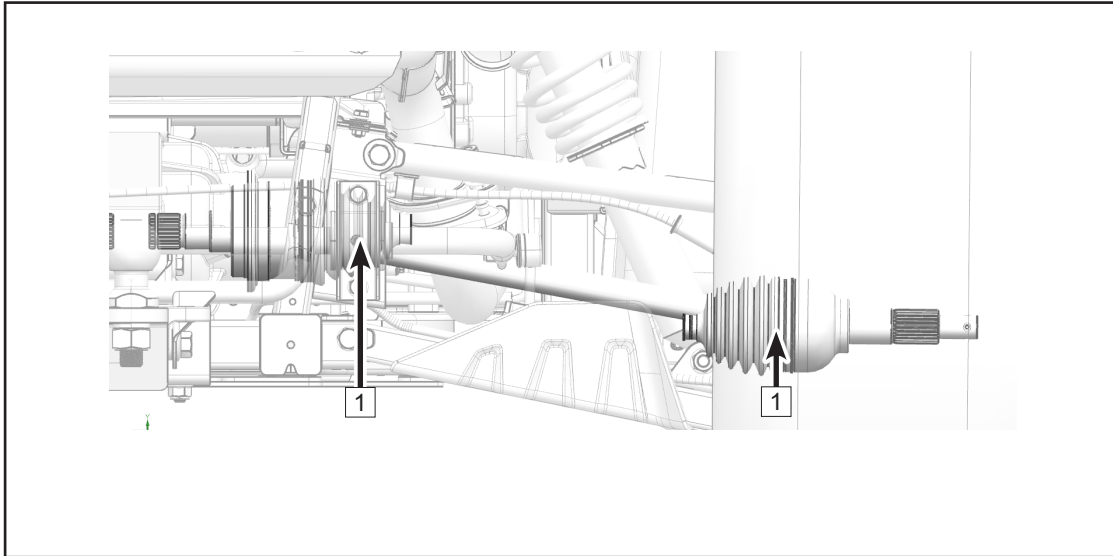
N'ajoutez pas plus que la quantité recommandée à l'engrenage arrière cas. Un remplissage excessif entraînera une migration d'huile au niveau du tube de ventilation du carter d'engrenages, et apparaissent à tort comme une fuite d'huile.



## ENTRETIEN

### Soufflet d'essieu CV avant et arrière

Les soufflets d'essieu CV avant et arrière **1** doivent être vérifiés pour détecter des trous ou de l'usure avant de fonctionner. Si des dommages sont constatés, demandez à votre concessionnaire de réparer le véhicule.



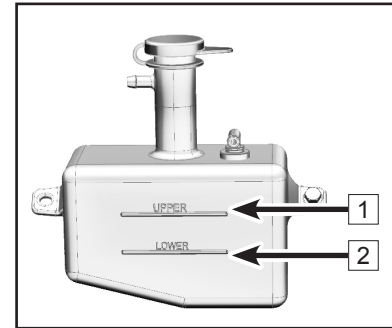
## ENTRETIEN

### Système de refroidissement

#### Vérification du niveau de liquide

1. Placez le véhicule sur une surface plane.
2. Retirez le couvercle d'accès avant.
3. Vérifiez que le niveau de liquide de refroidissement dans le réservoir.
4. Si le liquide de refroidissement est égal ou inférieur à la marque de limite inférieure ; retirez le couvercle d'accès et le bouchon du réservoir. Ajoutez du liquide de refroidissement jusqu'au repère supérieur, installez le bouchon du réservoir et réinstallez le couvercle d'accès avant.

**REMARQUE** : Vérifiez le niveau de liquide de refroidissement dans le réservoir lorsque le moteur est froid, car le niveau varie en fonction de la température du moteur.



1	Limite supérieure	2	Limite inférieure
---	-------------------	---	-------------------

#### ATTENTION

Si de l'eau est ajoutée, contactez votre revendeur pour inspecter la teneur en antigel du liquide de refroidissement dès que possible.

L'eau distillée peut être utilisée pendant une courte période si le liquide de refroidissement n'est pas disponible, l'eau du robinet adoucie pourrait être le deuxième choix. N'ajoutez jamais d'eau dure ou d'eau salée, car cela serait nocif pour le système de refroidissement.

Le fonctionnement du ventilateur du radiateur est automatiquement activé ou désactivé en fonction de la température du liquide de refroidissement pendant le fonctionnement. Gardez les mains et les vêtements éloignés du ventilateur à tout moment.



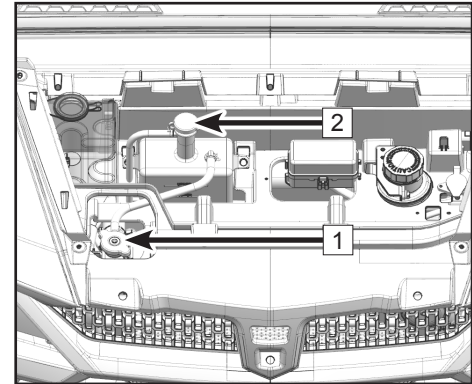
## ENTRETIEN

### Changer le liquide de refroidissement

#### ATTENTION

Après avoir fait tourner le moteur, ne retirez jamais immédiatement le bouchon du radiateur. Attendez que le moteur refroidisse avant de retirer le bouchon du radiateur. Le liquide de refroidissement chaud peut provoquer de graves brûlures.

1. Placez le véhicule en stationnement sur une surface plane.
2. Retirez le couvercle d'accès avant.
3. Retirez le bouchon du radiateur **1**.
4. Retirez le bouchon du réservoir de liquide de refroidissement **2**.
5. Placer un récipient sous le moteur, puis retirer le boulon et la rondelle de vidange du liquide de refroidissement **3**.
6. Laissez le liquide de refroidissement s'écouler complètement, puis réinstallez le boulon de vidange du liquide de refroidissement et la rondelle sur la pompe à eau du moteur (3). Ne serrez pas complètement le boulon de vidange pour le moment. Remplacez la rondelle si elle est endommagée.
7. Retirez le tuyau du réservoir de liquide de refroidissement et laissez-le se vider complètement, puis installez le tuyau du réservoir de liquide de refroidissement.
8. Remplissez le liquide de refroidissement dans le radiateur à l'aide de l'entonnoir fourni avec le véhicule.



1	Bouchon de radiateur	2	Reservoir cap
---	----------------------	---	---------------

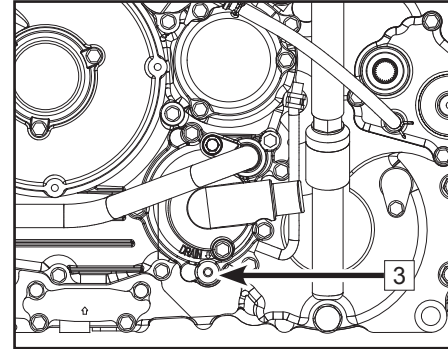
## ENTRETIEN

**REMARQUE :** L'entonnoir doit être nettoyé de toute huile ou autre substance susceptible de contaminer le liquide de refroidissement.

9. Pendant le processus de remplissage du liquide de refroidissement, dévissez le boulon de vidange de la pompe à eau pour libérer l'air résiduel à l'intérieur du tuyau de la pompe à eau jusqu'à ce que seul le liquide s'écoule, puis revissez et serrez au couple spécifié.

Couple du boulon de vidange de la pompe à eau : **7,4 pi-lb. (10 N·m)**

10. Installez le bouchon du radiateur.
11. Démarrez le moteur et laissez-le tourner au ralenti pendant plusieurs minutes jusqu'à ce que le ventilateur de refroidissement se mette en marche, puis éteignez le moteur.
12. Vérifiez le niveau du liquide de refroidissement dans le radiateur. Ajoutez du liquide de refroidissement supplémentaire au radiateur si le niveau de liquide de refroidissement est bas et installez le bouchon.
13. Remplissez le réservoir de liquide de refroidissement jusqu'à ce que le niveau se situe entre les repères supérieur et inférieur et installez le bouchon du réservoir.
14. Démarrez le moteur et laissez-le tourner au ralenti pendant plusieurs minutes pour vérifier s'il y a des fuites. Contactez votre revendeur pour inspecter le système de refroidissement si des fuites sont détectées.
15. Réinstallez le capot d'accès avant.
16. Éliminez le liquide de refroidissement usagé de manière appropriée.



3 Drain Bolt

## ENTRETIEN

### Antigel recommandé :

Tout antigel à l'éthylène glycol de haute qualité contenant des inhibiteurs de corrosion pour les moteurs en aluminium.

Niveau de protection contre le gel recommandé par CFMOTO : -31 °F (-35 °C)

Rapport de mélange antigel/eau distillée : **1:1**

Capacité du liquide de refroidissement :

**UFORCE 1000- 4.44 qt. (4.2 L) / UFORCE 1000 XL- 5.07 qt. (4.8 L)**

Changement de liquide de refroidissement :

**UFORCE 1000- 4.44 qt. (4.2 L) / UFORCE 1000 XL- 5.07 qt. (4.8 L)**

Capacité du réservoir de liquide de refroidissement : **0,32 ~ 0,sec. (300~590ml)**

**Marque inférieure : 0,32 pinte. (0,3 L) / Marque supérieure : 0,62 pinte. (0,59 L)**

### Nettoyer le radiateur

Nettoyez les surfaces externes avant et arrière du radiateur s'il est couvert de boue ou de débris pour garantir qu'il continue de refroidir efficacement le moteur. Utilisez uniquement de l'eau à basse pression pour nettoyer le radiateur. Les nettoyeurs haute pression peuvent endommager les ailettes de refroidissement. Assurez-vous que l'eau peut s'écouler librement à travers les ailettes du radiateur. C'est un signe que l'air de refroidissement pourra passer.

### ATTENTION

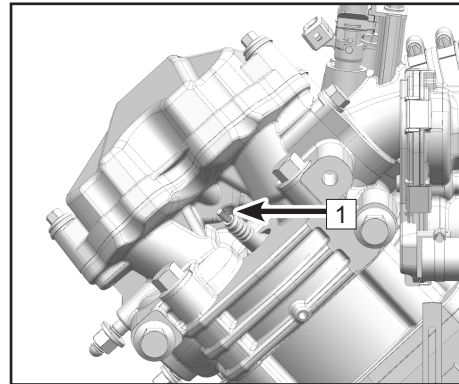
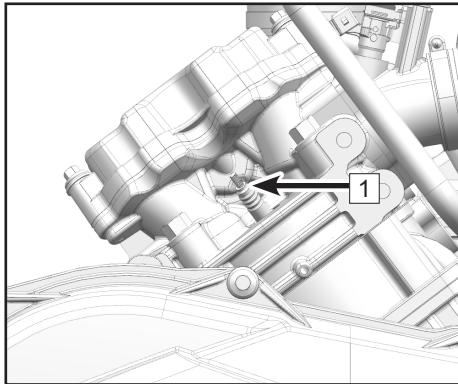
En cas de remplacement par un liquide de refroidissement différent, veuillez contacter votre revendeur pour éliminer complètement le liquide de refroidissement résiduel. Différentes couleurs/types de liquide de refroidissement peuvent entraîner une défaillance des composants.

## ENTRETIEN

### Bougies

La bougie d'allumage **1** est un composant moteur important et facile à inspecter. La couleur et l'état de la bougie d'allumage peuvent indiquer l'état du moteur. La couleur idéale de l'isolant autour de l'électrode centrale est une couleur beige moyen à clair pour un moteur fonctionnant normalement. Si l'érosion des électrodes devient excessive ou si les dépôts de carbone et autres sont excessifs, vous devez remplacer la bougie d'allumage par la bougie spécifiée.

Retirez et inspectez périodiquement la ou les bougies d'allumage pour déceler tout dommage dû à la chaleur et tous dépôts susceptibles de les briser et de les éroder. N'essayez pas de diagnostiquer vous-même la couleur des bougies ou les problèmes de moteur. Au lieu de cela, apportez le véhicule à votre concessionnaire pour un entretien.



## ENTRETIEN

### Dépose et inspection des bougies d'allumage

1. Placez le véhicule en stationnement sur une surface plane. Inclinez la caisse.
2. Nettoyez toute saleté ou débris de la bougie d'allumage et de la zone du cylindre.
3. Retirez le capuchon de la bougie d'allumage.
4. Utilisez la douille de bougie et la clé de la trousse à outils pour retirer la bougie.
5. Vérifiez l'écartement des bougies d'allumage **A** à l'aide d'une jauge d'épaisseur. Ajustez l'écart si nécessaire.

Bougie d'allumage spécifiée : **DCPR8E (NGK)**

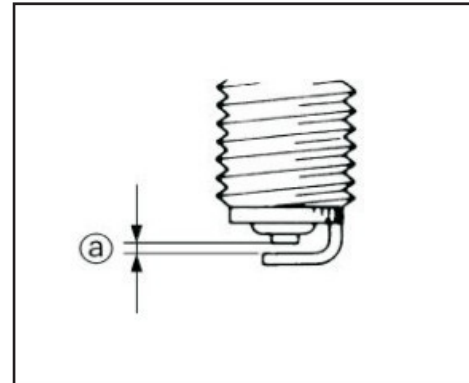
Ecartement électrode bougie: **0,031 ~ 0,035 po (0,8 ~ 0,9 mm)**

6. Nettoyer la surface du joint. Essuyez toute saleté des fils.
7. Installer la bougie d'allumage et la serrer au couple spécifié.

Couple de bougie d'allumage : **14,8 pi-lb. (20 N•m).**

**REMARQUE** : Si une clé dynamométrique n'est pas disponible pour installer une bougie d'allumage, une bonne estimation du couple correct consiste à serrer d'abord la bougie avec le doigt, puis à utiliser un outil pour serrer de 1/4 à 1/2 tour.

8. Installez le capuchon de la bougie d'allumage.
9. Verrouillez la caisse de chargement



## ENTRETIEN

### **Retrait de la bougie d'allumage pour expulser l'eau du moteur**

Si de l'eau s'est infiltrée dans le moteur, il est important de retirer l'eau dès que possible en retirant le ou les bougies d'allumage et en utilisant le système de démarrage pour faire tourner le moteur pendant une courte période afin d'expulser l'eau du ou des cylindre(s). Vérifiez que la boîte à air a été vidangée avant d'essayer d'expulser l'eau. Faites immédiatement vérifier le moteur par un concessionnaire.

#### **ATTENTION**

**Des dommages importants au moteur peuvent endommager le véhicule si de l'eau s'est infiltrée dans le moteur. Faites rapidement réparer le véhicule par un concessionnaire si votre véhicule a été immergé ou a calé dans l'eau qui dépasse le niveau du repose-pied. S'il y a eu infiltration d'eau, il est important de contacter votre concessionnaire pour un entretien avant de démarrer le moteur. De l'eau infiltrée dans le moteur peut provoquer un effet de «verrouillage hydraulique» qui peut endommager le démarreur et les composants du moteur. L'huile moteur doit être vérifiée pour contamination. Vidangez et remplissez d'huile à moteur neuve si de l'eau est trouvée dans le carter.**


## ENTRETIEN

### Pare-étincelles

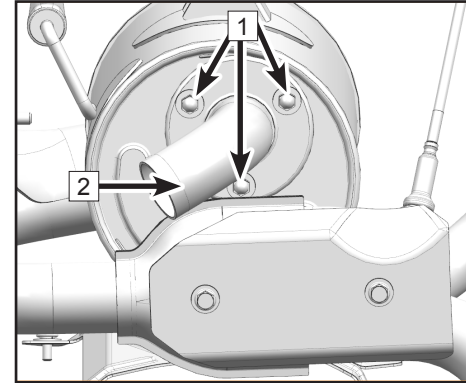
Nettoyez périodiquement les dépôts de carbone du pare-étincelles pendant que le silencieux et le tuyau d'échappement sont à température normale.

 **ATTENTION**

**Assurez-vous que le système d'échappement est refroidi, puis procédez à la vérification et au nettoyage.**

1. Placez le véhicule en stationnement sur une surface plane.
2. Retirez les attaches .
3. Tapotez légèrement le tuyau d'échappement pour le desserrer et retirez le pare-étincelles du silencieux.
4. Utilisez une brosse métallique pour éliminer tout dépôt de carbone de la partie de l'écran pare-étincelles du tuyau d'échappement.
5. Insérez le tuyau d'échappement dans le silencieux et alignez les trous de boulons.
6. Installez et serrez les fixations selon les spécifications.

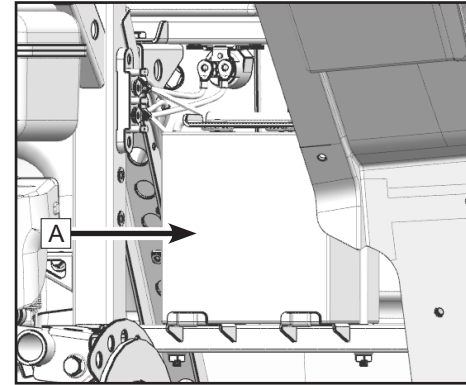
Couple de fixation : **7,3 pi-lb. (10 N•m)**



## ENTRETIEN

### Batterie

Ce véhicule est équipé d'une batterie scellée **A** de 12 volts/30 ampères-heure nécessitant peu d'entretien, située sur le côté intérieur de l'aile arrière droite. Il n'est donc pas nécessaire de vérifier l'électrolyte ou d'ajouter de l'eau distillée à la batterie. Si la batterie semble déchargée, consultez votre revendeur. Vérifiez que les connexions de la batterie sont propres et sécurisées lors de l'entretien de routine.e.



### ATTENTION

Ne faites pas fonctionner l'éclairage du système électrique ou les accessoires pendant de longues périodes sans que le moteur ne tourne pour charger la batterie. La batterie peut se décharger à un point tel que le démarreur ne fonctionnera plus correctement. Si cela devait se produire, retirez la batterie et chargez-la correctement.

### AVERTISSEMENT

Une séquence d'installation ou de démontage incorrecte des fils positifs et négatifs peut entraîner un court-circuit entre la batterie et le véhicule. Faites attention à ne pas créer d'étincelles dangereuses ou à ne pas endommager les composants électriques.



## ENTRETIEN

### Consignes d'entretien de la batterie

- Si le véhicule n'est pas utilisé pendant un mois ou plus, retirez la batterie et rangez-la dans un endroit frais et sec. Rechargez complètement la batterie avant la réinstallation.
- CFMoto recommande aux véhicules non utilisés dans les 30 jours (la batterie reste dans le véhicule) de charger la batterie mensuellement ou de garder la batterie connectée à un chargeur d'entretien (mainteneur de batterie)
- Assurez-vous toujours que les connexions des câbles respectent la polarité lors de la réinstallation de la batterie. ROUGE (+ positif) / Noir (- négatif). Débranchez toujours le câble ROUGE (+ positif) en dernier lors du retrait et reconnectez-le en premier lors de l'installation.
- Les connexions de batterie corrodées peuvent être nettoyées avec un mélange de bicarbonate de soude et d'eau.

**REMARQUE : Il est recommandé de charger la batterie avec un courant correspondant à 10 % de la capacité en ampères-heure de la batterie.**

#### AVERTISSEMENT

Évitez tout contact avec la peau, les yeux ou les vêtements et protégez toujours les yeux lorsque vous travaillez à proximité de batteries. Tenir hors de portée des enfants. Tenez les piles à l'écart des étincelles, des flammes, des cigarettes ou de toute autre source d'inflammation. Aérez la zone lors du chargement ou de l'utilisation dans un espace clos.

#### **Antidote d'acide de batterie :**

EXTERNE : rincer à l'eau.

INTERNE : Obtenez une attention médicale rapide.

YEUX : Rincer à grande eau pendant 15 minutes et consulter rapidement un médecin.

## ENTRETIEN

### Retrait de la batterie

1. Placez le véhicule en stationnement sur une surface plane.
2. Tournez la clé en position OFF et assurez-vous que l'ensemble du véhicule est hors tension.
3. Soulevez le coffre arrière.
4. Retirez le fil négatif noir ( - ).
5. Retirez le fil positif rouge ( + ).
6. Retirez le support de batterie.
7. Retirez la batterie.

### Entretien de la batterie

1. Appliquez un mélange de bicarbonate de soude et d'eau avec une brosse douce pour nettoyer le dessus et les bornes de la batterie.
2. Nettoyez la saleté et toute corrosion sur les bornes positives et négatives avec une brosse dure.
3. Utilisez le chargeur de batterie requis (basse tension/ampère constante) pour recharger une batterie nécessitant peu d'entretien. L'utilisation d'un chargeur de batterie conventionnel peut endommager la batterie.

### Installation de la batterie

1. Placez le véhicule sur un terrain plat avec la transmission en stationnement.
2. Éteignez l'interrupteur d'arrêt, tournez la clé en position OFF, assurez-vous que le système d'allumage est hors tension pour le véhicule.
3. Mettez la batterie en place.
4. Installez le support de batterie.
5. Installez le fil positif rouge ( + ).
6. Installez le fil négatif noir ( - ).

## ENTRETIEN

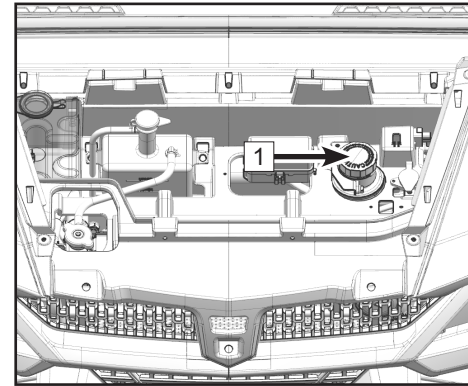
### Freins

#### Inspection du niveau de liquide de frein

Avant de rouler, vérifiez que le niveau du liquide de frein est supérieur au repère bas et faites l'appoint chaque fois que nécessaire. Le réservoir de liquide de frein est situé sous le capot. Une quantité insuffisante de liquide de frein peut laisser de l'air pénétrer dans le système de freinage, ce qui peut rendre les freins inefficaces.

#### Observez ces précautions :

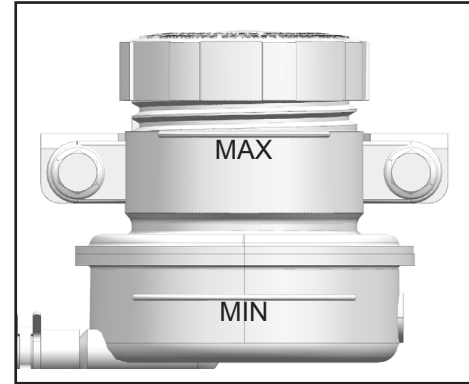
- Lors de la vérification du niveau de liquide, assurez-vous que le véhicule se trouve sur une surface plane.
- À mesure que les plaquettes de frein s'usent, il est normal que le niveau du liquide de frein baisse progressivement. Un faible niveau de liquide de frein peut indiquer des plaquettes de frein usées ou une fuite du système de freinage. Par conséquent, assurez-vous de vérifier l'usure des plaquettes de frein avant de vérifier l'étanchéité du système de freinage.
- Une quantité insuffisante de liquide de frein peut laisser de l'air pénétrer dans le système de freinage, ce qui peut rendre les freins inefficaces.
- Type de liquide de frein recommandé : **DOT 4**



1 Réservoir de liquide à frein

## ENTRETIEN

- Utilisez uniquement le type de liquide de frein désigné. Sinon, les joints en caoutchouc pourraient se détériorer, provoquant des fuites et de mauvaises performances de freinage. Le mélange de types de liquides peut entraîner une réaction chimique nocive pouvant entraîner de mauvaises performances de freinage ou une défaillance.
- Ne laissez pas l'eau pénétrer dans le réservoir du maître-cylindre. L'eau abaissera considérablement le point d'ébullition du liquide et entraînera de mauvaises performances de freinage.
- Le liquide de frein peut détériorer les surfaces peintes ou les pièces en plastique. Nettoyez toujours immédiatement le liquide renversé.
- Demandez à votre concessionnaire d'inspecter le système si le niveau de liquide de frein baisse de manière inattendue.



## ENTRETIEN

### Inspection des plaquettes de frein

Inspectez les plaquettes et les disques de frein avant et arrière pour déceler tout dommage ou usure. Si l'épaisseur des plaquettes **A** est inférieure à 0,059 po (1,5 mm) ou si l'épaisseur du disque **B** est inférieure à 0,157 po (4,0 mm), demandez à votre revendeur de les remplacer. Le remplacement des composants de frein nécessite des connaissances professionnelles. Ces procédures doivent être effectuées par votre revendeur.

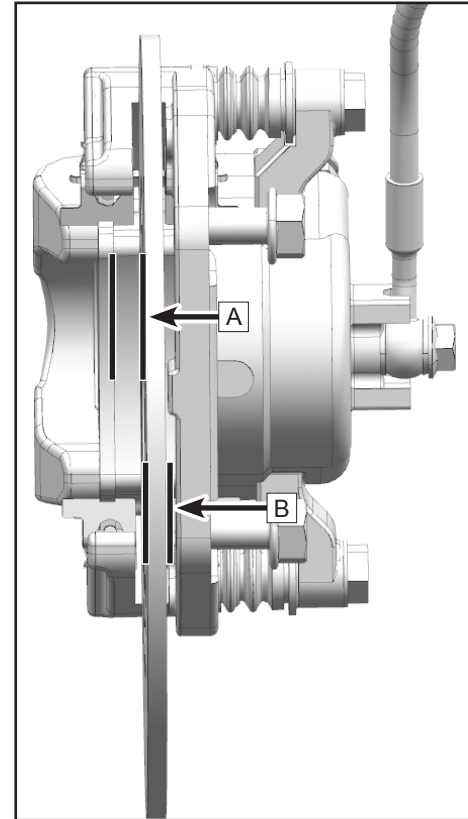
#### REMARQUE :

Les roues doivent être retirées pour vérifier les plaquettes de frein.

#### ATTENTION

Après l'entretien :

- Assurez-vous que les freins fonctionnent correctement et que le jeu libre du levier est correct.
- Assurez-vous que les freins ne traînent pas et que le fonctionnement des freins n'est pas spongieux.
- Assurez-vous que tout l'air est purgé du système de freinage.



## ENTRETIEN

### Changement de liquide de frein

Le remplacement complet du liquide du système de freinage doit être effectué uniquement par un personnel d'entretien qualifié. Demandez à votre revendeur de remplacer les composants suivants lors de l'entretien périodique ou lorsqu'ils sont endommagés ou fuient :

- Remplacez les flexibles de frein tous les quatre (4) ans.

#### AVERTISSEMENT

Un maître-cylindre trop plein peut provoquer une traînée ou un blocage des freins, ce qui pourrait entraîner un accident entraînant des blessures graves, voire la mort. Maintenir le liquide de frein au niveau recommandé. Ne pas trop remplir.

#### AVERTISSEMENT

Ne stockez ou n'utilisez jamais une bouteille partielle de liquide de frein. Le liquide de frein est hygroscopique, ce qui signifie qu'il absorbe rapidement l'humidité de l'air. L'humidité provoque une baisse de la température d'ébullition du liquide de frein, ce qui peut entraîner une usure prématurée des freins et un risque d'accident ou de blessure grave. Après avoir ouvert une bouteille de liquide de frein, jetez toujours toute portion inutilisée.

### Fonctionnement de l'interrupteur des feux stop

L'interrupteur des feux stop est activé par la pression de la pédale de frein et fonctionne correctement lorsque le feu stop s'allume au moment où le freinage prend effet. Vérifiez que l'ensemble de commutateurs ou le circuit électrique fonctionne correctement en cas de panne du feu stop.

## ENTRETIEN

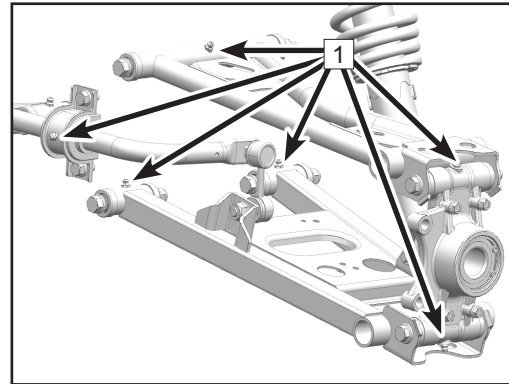
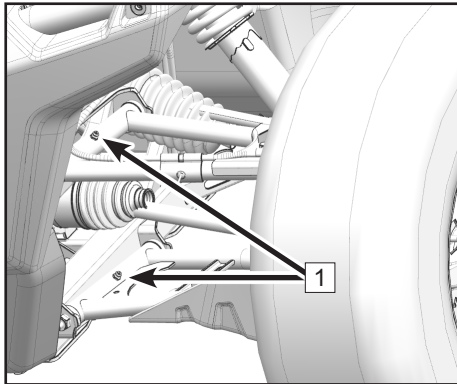
### Suspension

Certains composants de la suspension avant du véhicule ne nécessitent ni entretien ni lubrification. Assurez-vous que ces composants sont nettoyés régulièrement et ne sont pas desserrés ou endommagés avant d'utiliser le véhicule.

### Lubrification des suspensions

- Lubrifiez les bagues des bras oscillants avant et arrière ainsi que la barre stabilisatrice arrière.
- Il y a 4 graisseurs sur les bras oscillants avant, 5 graisseurs sur les bras oscillants arrière et 2 graisseurs sur la barre stabilisatrice arrière. Ils sont symétriques à gauche et à droite.
- Ajoutez de la graisse dans chaque graisseur [1] avec un pistolet graisseur jusqu'à ce qu'elle commence à s'écouler de la bague.

Lubrifiant recommandé : **Graisse toutes saisons**



## ENTRETIEN

### Réglage de la précharge des amortisseurs

Le réglage correct de la précharge du ressort d'amortisseur est une préférence personnelle et change en fonction du poids du randonneur, du style de conduite et du terrain.

Lorsque vous roulez sur des terrains accidentés, remorquez ou transportez le poids maximum de personnes et de marchandises, augmentez la précharge du ressort pour obtenir une conduite plus ferme. Diminuez la précharge du ressort si nécessaire sur les terrains accidentés ou mous pour obtenir une conduite plus douce.

**REMARQUE :** Élevez le véhicule avec les pneus décollés du sol pour faciliter les réglages.

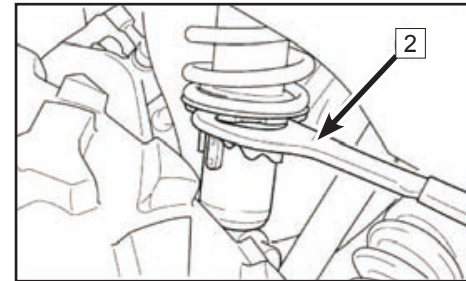
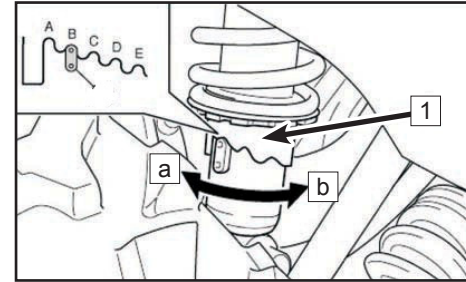
#### Pour augmenter la précharge du ressort :

Tourner le dispositif de réglage **1** dans la direction **a** avec l'outil spécial **2** de la trousse d'outils.

#### Pour diminuer la précharge du ressort :

Tourner le dispositif de réglage **1** dans la direction **b** avec l'outil spécial **2** de la trousse d'outils.

**REMARQUE :** Une clé à collier spéciale **2** est incluse dans la trousse d'outils pour effectuer les réglages de précharge du ressort.



Position de précharge standard : **B**

A : Minimum (Mou)

E : Maximum (Dur)



## ENTRETIEN

### Roues

#### Pression des pneus

Avant d'utiliser le véhicule, vérifiez la pression des pneus :

UFORCE 1000 :

UFORCE 1000 XL:

Avant : **10 PSI (70 kPa)**

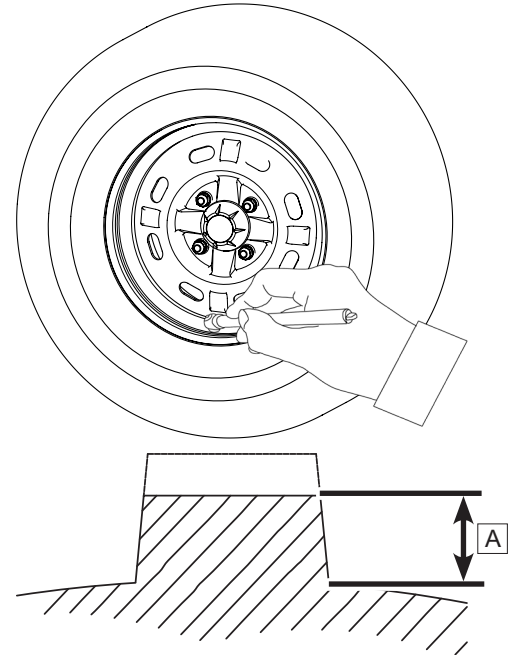
Avant : **14 PSI (100 kPa)**

Arrière : **14 PSI (100 kPa)**

Arrière : **17 PSI (120 kPa)**

#### Profondeur de la bande de roulement

Vérifiez régulièrement la profondeur de la bande de roulement des pneus et remplacez les pneus dès que la profondeur de la bande de roulement atteint la norme minimale de **3/32 po (3,0 mm)**.



#### Roulement de moyeu des roues

- Soulevez le véhicule et soutenez-le solidement sous le châssis, avec les pneus surélevés du sol.
- Poussez et tirez les roues par les bords extérieurs pour sentir le jeu latéral ou le relâchement et si oui, contactez votre concessionnaire.

## ENTRETIEN

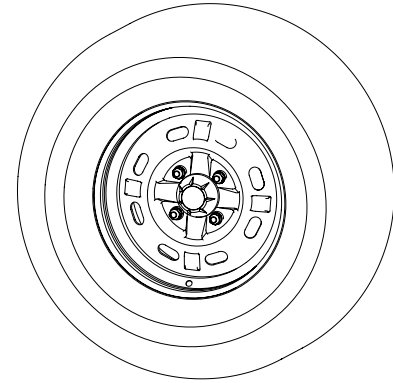
### Remplacement de roues

- Placez le véhicule en mode “Park” sur une surface plane.
- Desserrez les fixations de roue.
- Élevez le véhicule et placez un support approprié sous le châssis.
- Retirez les fixations de la roue.
- Retirez la roue

### Installation

- Assurez-vous que le véhicule est en stationnement.
- Installez la roue.
- Installez les fixations de roue à la main.
- Élevez le véhicule, retirez la béquille sous le châssis et abaissez le véhicule au sol.
- Serrez les fixations de roue selon les spécifications :  
Roues en aluminium ou en acier

Couple d'écrou de roue : **81 pi-lb~88 fpi-lb. (110 N•m~120 N•m)**



### REMARQUE :

Si des roues en aluminium sont utilisées avec des fixations coniques, installez la fixation avec le côté effilé face à la roue. Pour les roues en acier, installez la fixation avec la surface plane face à la roue.

# ENTRETIEN

## Électricité

### Boîte à fusibles / relais

Le boîtier fusibles/relais est situé sous le capot avant. Si un fusible saute, éteignez l'interrupteur principal et installez un nouveau fusible du même ampérage, puis allumez l'interrupteur principal. Si le fusible saute à nouveau immédiatement, contactez votre revendeur.

Les relais électroniques montés dans le boîtier actionnent diverses fonctions du système du véhicule. Si un relais ne fonctionne pas ou si le remplacement/le diagnostic d'un relais est nécessaire, veuillez contacter votre concessionnaire.



**Pour éviter un court-circuit accidentel, coupez l'interrupteur principal avant de vérifier ou de remplacer les fusibles. Utilisez toujours un fusible du calibre spécifié. N'utilisez jamais de matériaux conducteurs à la place du fusible approprié. L'utilisation d'un fusible incorrect peut endommager le système électrique et provoquer un incendie.**

### UFORCE 1000

MAIN RELAY	AUXILIARY START RELAY	LOW BEAM RELAY	HIGH BEAM RELAY	FAN RELAY	FUEL PUMP RELAY	2-4 RELAY
5A	10A	10A	15A	15A		4-4 RELAY
FUEL PUMP 10A	SIGNAL CONTROL 15A	BACKUP 15A	IGNITION 5A	EXTEND 15A	FRONT LEFT 15A	REVERSE RELAY
HEADLIGHT 15A	BCU 5A	FAN 15A	MAIN RELAY 10A	KL15 15A	FRONT RIGHT 15A	

### UFORCE 1000 XL

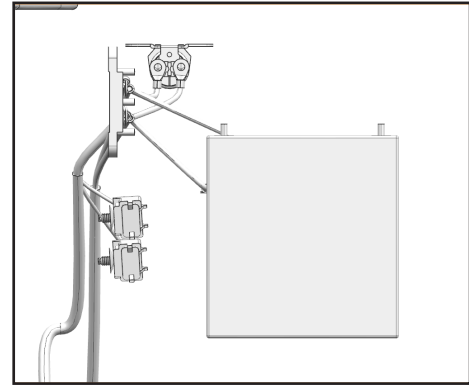
MAIN RELAY	AUXILIARY START RELAY	REVERSE RELAY	FUEL PUMP RELAY	FAN RELAY	EXTEND 15A	2-4 RELAY
5A	10A	10A	15A	15A	15A	4-4 RELAY
SIGNAL A 15A	SIGNAL B 10A	BACKUP 15A	FRONT LEFT 15A	FRONT RIGHT 15A	LEFT AFTER 15A	
LAMP 15A	EFI 15A	FAN 15A	IGNITION 5A	RIGHT AFTER 15A	KL15 15A	

## ENTRETIEN

### Fusible principal et fusible EPS

Un fusible principal et un EPS de 40 ampères sont situés à gauche de la batterie.

Si un fusible est grillé, coupez l'interrupteur principal et installez un nouveau fusible de l'ampérage spécifié. Allumez l'interrupteur principal. Si le fusible saute immédiatement à nouveau, contactez votre concessionnaire.



## ENTRETIEN

### Ajustement des phares

Pour régler les phares :

Ajustez la vis de réglage **1** pour régler la direction des feux de route verticalement.

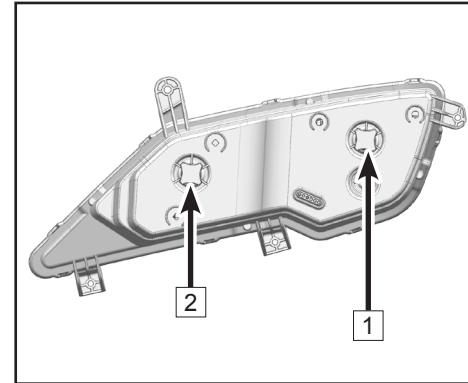
Ajustez la vis de réglage **2** pour régler la direction des feux de croisement verticalement.

#### AVERTISSEMENT

**Il est conseillé de demander à votre concessionnaire d'effectuer le réglage des phares. Un réglage incorrect peut entraîner un accident causant des blessures graves ou la mort.**

#### REMARQUE :

Les ensembles de feux de position et de feux clignotants (le cas échéant) sont une structure à DEL, qui ne peut pas être réparée en cas d'endommagement ou de panne. Faites remplacer l'ensemble par votre revendeur si une DEL est endommagée ou est en panne..



## ENTRETIEN

### Ceinture de sécurité

Ce véhicule est équipé de ceintures de sécurité à fixation en trois points pour le conducteur et les passagers. Veuillez vous assurer que toutes les ceintures de sécurité sont correctement bouclées avant de conduire le véhicule.

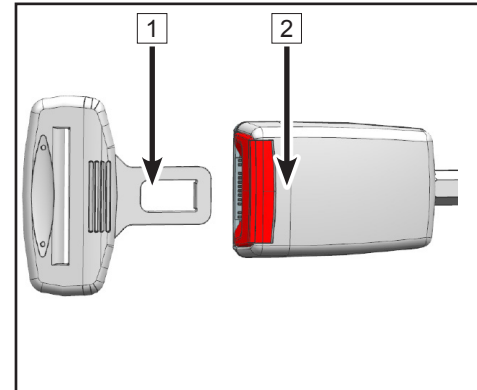


#### AVERTISSEMENT

Une chute d'un véhicule en mouvement pourrait entraîner des blessures graves, voire la mort. Bouclez toujours les ceintures de sécurité avant d'utiliser ou de conduire le véhicule.

#### Suivez ces étapes pour boucler les ceintures de sécurité :

- Pour une ceinture de sécurité à trois points, abaissez la plaque de verrouillage **1** de la ceinture sur l'épaule, la poitrine et la hanche sans aucune torsion.
- Insérez la plaque de verrouillage **1** dans le loquet **2** jusqu'à ce qu'un clic retentisse.
- Desserrez un peu la ceinture de sécurité et laissez-la se tendre automatiquement.
- Appuyez sur le bouton rouge pour ouvrir le loquet de la ceinture de sécurité.



## ENTRETIEN

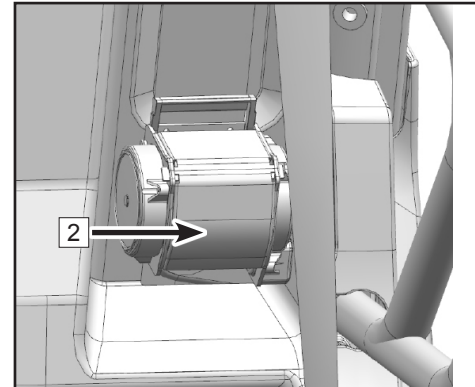
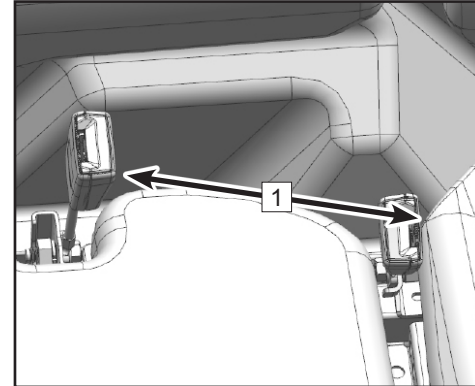
Inspectez régulièrement toutes les ceintures de sécurité pour vérifier leur bon fonctionnement avant chaque utilisation du véhicule :

1. Insérez la plaque de verrouillage dans le loquet jusqu'à ce qu'un clic retentisse. Le son du clic signifie qu'il est fixé en toute sécurité. Vérifiez que la plaque de verrouillage peut être insérée facilement.
2. Appuyez sur le bouton rouge pour déverrouiller le loquet. Vérifiez que la ceinture de sécurité peut être déverrouillée sans difficulté.
3. Tirez sur toute la longueur les ceintures de sécurité et inspectez pour déceler tous les dommages, y compris les coupures, l'usure ou le raidissement. Si des dommages sont constatés ou si les mécanismes ne fonctionnent pas normalement, veuillez contacter un revendeur CFMOTO agréé pour qu'un technicien qualifié inspecte ou remplace le système de ceinture de sécurité.

### Entretien des ceintures de sécurité

Nettoyez la boue et la saleté de la ceinture de sécurité, puis lavez toute la longueur de la ceinture avec de l'eau douce savonneuse et laissez-la sécher. N'utilisez jamais d'eau de Javel ou de détergent ménager agressif sur la ceinture.

Lavez régulièrement les mécanismes de verrouillage 1 et d'enroulement 2 avec de l'eau propre. Laissez-les sécher et testez-les avant de conduire le véhicule.



## ENTRETIEN

### Système d'évaporation du carburant (EVAP - si équipé)

En fonction des exigences du marché dans certains domaines, votre véhicule est équipé d'un système d'évaporation du carburant (EVAP) qui empêche les vapeurs de carburant de pénétrer dans l'atmosphère depuis le réservoir de carburant et le système de carburant. Ne modifiez jamais aucune partie de ce système, ce qui violerait les réglementations sur les émissions par évaporation de carburant.

Lors de l'entretien de routine, inspectez visuellement toutes les connexions pour détecter les fuites et les blocages, et inspectez les tuyaux pour déceler tout pli ou tout dommage.

Aucun autre entretien n'est nécessaire. Contactez votre revendeur si une réparation est nécessaire.

**REMARQUE : Les informations s'appliquent uniquement aux véhicules équipés d'un système d'évaporation de carburant.**

#### AVERTISSEMENT

Si votre véhicule est immergé, des dommages importants au moteur peuvent survenir si la machine n'est pas minutieusement inspectée. L'eau peut être ingérée via le système EVAP. Amenez le véhicule chez votre concessionnaire avant de démarrer le moteur. Le démarrage risque d'endommager le moteur si le moteur n'est pas correctement manipulé après l'immersion.



## NETTOYAGE ET ENTREPOSAGE

### Nettoyage du véhicule

Le nettoyage de votre véhicule permet non seulement d'améliorer son apparence, mais aussi de prolonger la vie de ses différents composants. Avec quelques précautions, votre véhicule peut être nettoyé un peu comme une automobile.

- La meilleure la plus sécuritaire de nettoyer votre véhicule est avec un boyau d'arrosage et un seau d'eau et de savon doux. Les détergents agressifs peuvent détériorer les composants en caoutchouc.
- Utilisez une mitaine de type professionnel, et nettoyez d'abord la partie supérieure pour terminer par la partie inférieure.
- Faites particulièrement attention à ce que le radiateur du système de refroidissement et les soufflets d'essieu soient soigneusement nettoyés de tous les saletés et débris.
- Rincez fréquemment à l'eau et séchez avec un chamois pour éviter les taches d'eau.
- Lubrifiez tous les points de pivot immédiatement après le lavage.
- Laissez le moteur tourner pendant un certain temps pour évaporer l'eau qui aurait pu pénétrer dans l'admission d'air du moteur ou du système d'échappement.

CFMOTO ne recommande pas l'utilisation d'un système de nettoyage à haute pression pour laver votre véhicule, car l'eau peut être forcée au-delà des joints et endommager les décalcomanies. Si un système à haute pression est utilisé, faites très attention pour éviter d'endommager les décalcomanies, les roulements de moyeu des roues, les joints de transmission, les panneaux de carrosserie, les freins, les étiquettes d'avertissement, le système d'admission du filtre à air et du système électrique. Assurez-vous également que l'eau ne pénètre pas dans le filtre à air ou le boîtier de la TVC. Si les étiquettes d'avertissement et de sécurité sont endommagées, contactez votre concessionnaire pour leur remplacement.

## NETTOYAGE ET ENTREPOSAGE

### Cirage du véhicule

Votre véhicule peut être ciré avec n'importe quelle cire automobile non abrasive. Évitez l'utilisation de nettoyeurs agressifs car ils peuvent rayer la finition de la carrosserie.

#### ATTENTION

**Certains produits, y compris les insectifuges et d'autres produits chimiques, endommageront les surfaces en plastique. Soyez prudent lorsque vous utilisez ces produits près de surfaces en plastique.**

### Effectuer des réparations

Effectuez les réparations nécessaires sur votre véhicule avant de le remettre pour éviter des dommages supplémentaires la prochaine fois que vous l'utiliserez.

### Vérifiez les pneus

Inspectez les bandes de roulement des pneus et leur état général. Réglez les pneus à la pression d'air spécifiée.

### Huile et filtre

Faites chauffer le moteur, puis arrêtez-le et changez l'huile et le filtre.

### Filtre à air / boîte à air

Inspectez et nettoyez ou remplacez le filtre à air. Nettoyer la boîte à air et le tube à sédiments.

## NETTOYAGE ET ENTREPOSAGE

### Vérification des niveaux de liquides

Inspectez les niveaux de liquide suivants et changez-les si nécessaire :

- Carter d'engrenage avant
- Carter d'engrenage arrière
- Liquide de frein (changez tous les deux ans ou au besoin si le liquide semble sombre ou contaminé)
- Liquide de refroidissement (changez tous les deux ans ou au besoin si le liquide de refroidissement semble contaminé)
- Niveau de carburant (ajoutez un stabilisateur de carburant selon les instructions sur l'étiquette du produit)

### Stabilisation du carburant

Remplissez le réservoir à essence avec un carburant frais qui a été traité avec un stabilisateur de carburant conformément aux instructions sur l'étiquette du produit. Ne laissez pas un carburant non traité dans le véhicule pendant plus de 30 jours, car le carburant peut alors se dégrader et endommager les composants du système de carburant.

### Entreposage de la batterie

Retirez la batterie du véhicule et assurez-vous qu'elle est complètement chargée avant son entreposage. Protégez la batterie du gel qui peut lui causer des dommages.

### Lubrification

Vérifiez tous les câbles et lubrifiez avec un lubrifiant pour câbles conformément aux instructions sur l'étiquette du produit. Graisser les points de pivot du véhicule avec une graisse toutes saisons.

## NETTOYAGE ET ENTREPOSAGE

### « Brumiser » le moteur

- Inclinez la boîte de chargement pour accéder aux bougies.
- Retirez la(les) bougie(s), faites pivoter le piston jusqu'au bout et versez environ 2 oz (15 ml ~ 20 ml) d'huile moteur dans l'ouverture.

### REMARQUE :

Vous devez faire attention lorsque vous brumisez le moteur, car si vous manquez le trou de la bougie, l'huile s'écoulera dans la cavité de la bougie et ressemblera à une fuite d'huile. Pour accéder au trou de la bougie, utilisez une section de tuyau propre et une petite bouteille souple, en plastique, remplie avec une quantité pré mesurée d'huile à brumiser.

- Réinstallez la bougie et serrez-la au couple spécifié.
- Faites tourner le moteur plusieurs fois lentement. L'huile sera forcée dans et autour du piston, les segments de piston et le cylindre seront ainsi recouverts d'un film protecteur d'huile fraîche.
- Procéder à l'installation des bougies d'allumage, du capuchon et de tous les revêtements d'accès.

### REMARQUE :

Le démarrage du moteur pendant la période d'entreposage pourrait perturber le film protecteur créé par la brumisation et pourrait causer de la corrosion. Ne démarrez jamais le moteur pendant la période d'entreposage.

## NETTOYAGE ET ENTREPOSAGE

### Zone d'entreposage et couverture

Réglez la pression des pneus et surélevez le véhicule de sorte que les pneus soient à 30-40 mm (1/2 po) du sol. Assurez-vous que la zone d'entreposage soit bien ventilée et couvrez le véhicule d'une couverture de conçu pour ce type de véhicule.

**REMARQUE** : Ne pas utiliser de plastique ou autre matière enduite. Ils ne peuvent permettre une ventilation suffisante pour éviter la condensation, et peuvent favoriser la corrosion et l'oxydation.

Si une procédure de brumisation du moteur n'est pas effectuée, il est recommandé de réchauffer le moteur tous les 3 mois et de tourner au ralenti pendant 5 à 10 minutes afin que le moteur puisse être entièrement lubrifié.

Il est recommandé d'éviter de tirer ou de rouler à grande vitesse avec les véhicules qui ont été entreposé pendant une longue période, ce qui entraînera une usure excessive du moteur et affectera sa durée de vie.

## NETTOYAGE ET ENTREPOSAGE

### Transport du véhicule

Suivez ces procédures lorsque vous transportez le véhicule :

- Éteignez le moteur et retirez la clé pour éviter toute perte pendant le transport.
- S'assurer que le bouchon de carburant est correctement installé et bien fixé.
- Assurez-vous que le siège est installé correctement et sécurisé.
- Placez le sélecteur de vitesse de transmission dans n'importe quelle position, sauf la position PARK, et bloquez les roues avant et arrière pour empêcher le véhicule de se déplacer.

Fixez l'avant et l'arrière du cadre du véhicule au véhicule de transport pour empêcher le véhicule de glisser ou de se déplacer.

#### **ATTENTION**

Ne transportez jamais avec le sélecteur de vitesse en position de stationnement (P).

Ne jamais utiliser le treuil comme dispositif de fixation pour le transport.

La transmission pourrait être endommagée.

## DIAGNOSTIC DU VÉHICULE

### Diagnostic de problème de véhicule

La présente section est destinée à guider un propriétaire moyen vers des items simples qui pourraient être la cause d'un problème de fonctionnement. Le diagnostic des problèmes de fonctionnement peut nécessiter l'expérience d'un technicien chez votre concessionnaire. Veuillez contacter votre concessionnaire si une solution n'est pas apparente.

### Dépannage du moteur

#### Le moteur ne tourne pas

Raison possible de la défaillance	Solution
Fusible grillé	Réinitialiser ou remplacer le fusible
Tension de batterie faible	Recharger la batterie à 12,8 Vdc. Confirmer l'état de la batterie
Connexions de batterie desserrées	Vérifiez toutes les connexions et resserrez si nécessaire
Connexions électriques du système de démarrage desserrées	Vérifiez toutes les connexions et resserrez si nécessaire
Interrupteur d'arrêt du moteur	Vérifier la fonction
Circuit de démarrage incomplet transmission en prise	Appuyez sur la pédale de frein ou mettez la transmission au point mort ou en position de stationnement.

#### Cliquetis et cognement du moteur

Raison possible de la défaillance	Solution
Carburant de mauvaise qualité ou à faible indice d'octane	Remplacer par du carburant sans plomb à indice d'octane minimum de 89.
Calage d'allumage incorrect.	Consultez votre revendeur
Écart de bougie ou plage thermique incorrect	Réglez l'écartement des bougies d'allumage selon les spécifications ou remplacez les bougies.

## DIAGNOSTIC DU VÉHICULE

### Le moteur s'arrête ou perd de la puissance

Raison possible de la défaillance	Solution
Moteur surchauffé	Nettoyer la grille du radiateur et le noyau externe ; extérieur du moteur propre ; Consultez votre revendeur
En panne d'essence	Faire le plein avec de l'essence sans plomb à indice d'octane minimum de 89
Conduite de ventilation du réservoir de carburant pliée ou bouchée	Inspecter et remplacer ; Consultez votre revendeur
Eau présente dans le carburant	Remplacer par du carburant neuf
Bougies d'allumage encrassées ou défectueuses	Inspecter et nettoyer ou remplacer la bougie d'allumage
Fils de bougie usés ou défectueux	Consultez votre revendeur
Écart de bougie ou plage thermique incorrect	Réglez l'écart selon les spécifications ou remplacez la fiche
Connexions d'allumage desserrées	Vérifiez toutes les connexions et serrez
Tension de batterie faible	Recharger la batterie à 12,8 Vdc ; vérifier le système de charge – Confirmer l'état de la batterie
Filtre à air bouché	Inspecter et remplacer si nécessaire
Dysfonctionnement du limiteur de vitesse en marche arrière	Consultez votre revendeur
Dysfonctionnement de la commande électronique des gaz	Consultez votre revendeur
Autre panne mécanique	Consultez votre revendeur



## DIAGNOSTIC DU VÉHICULE

### Le moteur tourne mais ne démarre pas

Raison possible de la défaillance	Solution
Filtre à air bouché	Inspecter et remplacer si nécessaire ; Inspecter les bougies d'allumage
Filtre à carburant bouché	Inspecter et remplacer si nécessaire
Injecteur de carburant bouché	Consultez votre revendeur
Évent du réservoir de carburant plié ou bouché	Inspecter et réparer si nécessaire
Pas d'étincelle à la bougie	Inspectez les bougies d'allumage, vérifiez que l'interrupteur d'arrêt est allumé
Bougies d'allumage encrassées ou défectueuses	Inspecter les bougies d'allumage, les remplacer si nécessaire
Fils de bougie usés ou défectueux	Consultez votre revendeur
Écart de bougie ou plage thermique incorrect	Réglez l'écart par rapport aux spécifications ou remplacez les bouchons
Connexions électriques desserrées ou corrodées	Vérifiez toutes les connexions et serrez
Tension de batterie faible	Recharger la batterie à 12,8 Vdc – Confirmer l'état de la batterie
Carburant ancien ou incorrect	Remplacer par de l'essence sans plomb à indice d'octane minimum de 89.
Carburant faible ou contaminé	Ajouter ou changer de carburant, nettoyer le système de carburant
Carburant à faible indice d'octane	Remplacer par du carburant sans plomb à indice d'octane minimum de 89.
Carter rempli d'eau ou de carburant	Consultez immédiatement votre revendeur

## DIAGNOSTIC DU VÉHICULE

Raison possible de la défaillance	Solution
Eau présente dans le carburant	Remplacer par de l'essence sans plomb à indice d'octane minimum de 89.
Mélange de carburant pauvre ou riche possible	Consultez votre revendeur
Le carburant a un indice d'octane très élevé	Remplacer par du carburant sans plomb à indice d'octane minimum de 89.
La pompe à carburant ne fonctionne pas	Inspecter la pompe et le fusible ; Remplacer si nécessaire
Le moteur tourne, ne démarre pas	Ravitailler
Dysfonctionnement du limiteur de vitesse en marche arrière	Consultez votre revendeur
Dysfonctionnement de la commande électronique des gaz	Consultez votre revendeur
Autre panne mécanique	Consultez votre revendeur

### Retour de flamme du moteur

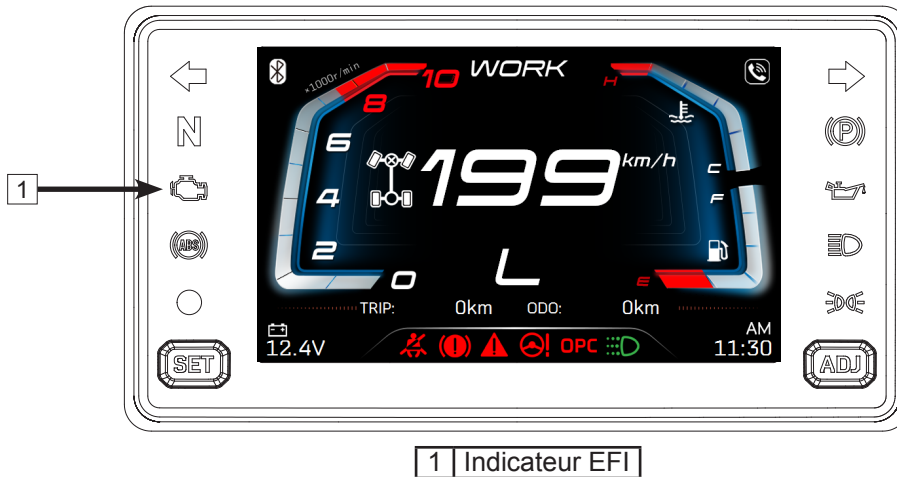
Raison possible de la défaillance	Solution
Faible étincelle des bougies d'allumage	Inspecter et remplacer les bougies d'allumage si nécessaire
Écart de bougie ou plage thermique incorrect	Réglez l'écart par rapport aux spécifications ou remplacez les bouchons
Carburant ancien ou non recommandé	Remplacer par du carburant sans plomb à indice d'octane minimum de 89.
Fils de bougie mal installés	Consultez votre revendeur
Calage d'allumage incorrect	Consultez votre revendeur
Panne mécanique	Consultez votre revendeur
Dysfonctionnement du limiteur de vitesse	Consultez votre revendeur

## DIAGNOSTIC DU VÉHICULE

### Témoin de dysfonctionnement EFI

Le système d'injection électronique de carburant de votre véhicule contient une fonction d'autodiagnostic qui allumera le témoin de dysfonctionnement (MIL) s'il détecte un problème. Lorsque ce voyant clignote, veuillez contacter votre revendeur. Pendant le fonctionnement normal, l'indicateur EFI sera éteint.

Tout défaut détecté s'affichera directement sur le tableau de bord. Enregistrez le code d'erreur et contactez votre revendeur pour un diagnostic. Votre revendeur dispose de l'outil EFI requis pour diagnostiquer, réparer et effacer les codes d'erreur.

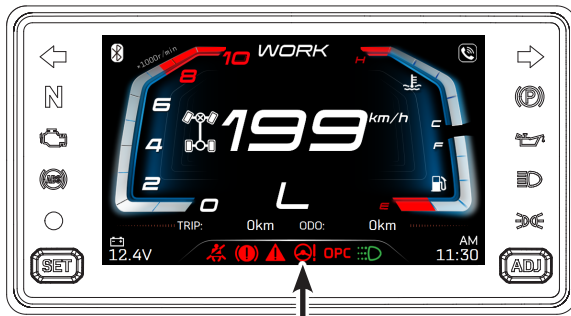


## DIAGNOSTIC DU VÉHICULE

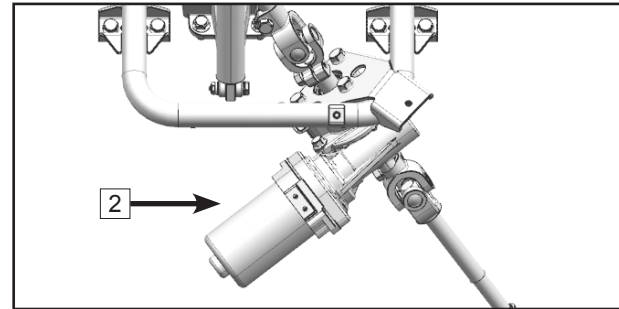
### Témoin de dysfonctionnement EPS

Le système de direction assistée électronique de votre véhicule contient une fonction d'autodiagnostic qui allumera le témoin de dysfonctionnement (MIL) s'il détecte un problème. Lorsque ce voyant clignote, veuillez contacter votre revendeur. Pendant le fonctionnement normal, le témoin EPS s'allumera une fois le contacteur d'allumage mis sur ON, mais l'EPS ne fonctionnera pas. Lorsque le moteur démarre, le témoin EPS s'éteint et l'EPS commence à fonctionner.

Tout défaut détecté s'affichera directement sur le tableau de bord. Enregistrez le code d'erreur et contactez votre revendeur pour un diagnostic. Votre concessionnaire dispose de l'outil EPS nécessaire pour diagnostiquer, réparer et effacer les codes d'erreur.



1 Indicateur EPS



2 Ensemble EPS

## DIAGNOSTIC DU VÉHICULE

### Diagnostic et solution des pannes de direction assistée électronique (EPS)

Absence d'aide à la direction au volant.	<ol style="list-style-type: none"> <li>1. Mauvaise connexion des fiches.</li> <li>2. Fusible grillé.</li> <li>3. Dommages au relais.</li> <li>4. Défaillance du contrôleur, du moteur ou du capteur.</li> </ol>	<ol style="list-style-type: none"> <li>1. Vérifiez les fiches et les connexions.</li> <li>2. Remplacez le fusible (40A).</li> <li>3. Contactez votre concessionnaire</li> <li>4. Contactez votre concessionnaire</li> </ol>
Aide à la direction asymétrique pour la gauche et la droite.	<ol style="list-style-type: none"> <li>1. Sortie de tension incorrecte du capteur.</li> <li>2. Défaillance du contrôleur, du moteur ou du capteur.</li> </ol>	<ol style="list-style-type: none"> <li>1. Contactez votre concessionnaire</li> <li>2. Contactez votre concessionnaire</li> </ol>
Lorsque le système est en position «ON» le volant oscille des deux côtés.	<ol style="list-style-type: none"> <li>1. Le moteur est monté à l'envers.</li> <li>2. Défaillance du contrôleur ou du capteur.</li> </ol>	<ol style="list-style-type: none"> <li>1. Contactez votre concessionnaire</li> <li>2. Contactez votre concessionnaire</li> </ol>
Aide à la direction assistée faible.	<ol style="list-style-type: none"> <li>1. La batterie perd de la puissance.</li> <li>2. Pression basse dans les pneus avant.</li> <li>3. Défaillance du moteur (puissance réduite).</li> </ol>	<ol style="list-style-type: none"> <li>1. Rechargez la batterie</li> <li>2. Gonflez les pneus</li> <li>3. Contactez votre concessionnaire</li> </ol>
Bruit provenant du système EPS.	<ol style="list-style-type: none"> <li>1. Défaillance du moteur</li> <li>2. L'écart dans l'ensemble d'arbre de direction ou de du système EPS est trop grand.</li> <li>3. Mauvais assemblage de la colonne de direction ou des pièces de l'ensemble du système de direction mécanique</li> </ol>	<ol style="list-style-type: none"> <li>1. Contactez votre concessionnaire</li> <li>2. Contactez votre concessionnaire</li> <li>3. Contactez votre concessionnaire</li> </ol>

## **DIAGNOSTIC DU VÉHICULE**

**POUR LES PROPRIÉTAIRES SITUÉS AU CANADA,  
UN MANUEL DE GARANTIE EST FOURNI SÉPARÉMENT.**

## GARANTIE LIMITÉE CFMOTO

Cher client :

Merci d'acheter un produit CFMOTO. Si un composant de votre véhicule s'avère défectueux en raison d'un vice de matériaux ou de fabrication alors qu'il est couvert par les modalités et conditions de cette garantie limitée, le composant défectueux sera réparé ou remplacé (au choix de CFMOTO) sans frais pour les pièces et/ou la main-d'œuvre chez n'importe quel concessionnaire autorisé partout aux États-Unis. La garantie limitée de CFMOTO est soumise aux conditions générales suivantes :

### MODALITÉS ET CONDITIONS DE LA GARANTIE

**1. DURÉE DE LA GARANTIE :** La durée de la période de garantie est d'un (1) an à partir de la date d'achat du nouveau véhicule auprès d'un concessionnaire autorisé de CFMOTO POWERSPORTS, Inc. La couverture de cette garantie se prévaut de l'achat et de l'utilisation des véhicules CFMOTO seulement à l'intérieur des États-Unis continentaux. Durant la période de la garantie, CFMOTO POWERSPORTS, Inc. couvrira les coûts des pièces et de la main-d'œuvre engagés par un concessionnaire autorisé de CFMOTO POWERSPORTS, Inc. résultant d'un vice de matériau et/ou de fabrication d'un véhicule de CFMOTO. Tout véhicule utilisé à des fins commerciales verra sa période de garantie réduite à six (6) mois. CFMOTO POWERSPORTS, Inc. couvre le remplacement complet du moteur ou un remplacement complet du véhicule en vertu de cette garantie. La période de garantie ne peut être prolongée et demeure la même que celle établie à la date d'achat originale du véhicule visé.

**2. LIMITATIONS DE LA GARANTIE :** CFMOTO POWERSPORTS, Inc. offre une garantie d'un (1) an sur toutes les pièces et la main-d'œuvre pour tous ses nouveaux VTT CFMOTO. Cependant, la couverture, les exceptions et les limitations suivantes s'appliquent à tous les véhicules CFMOTO :

## **GARANTIE LIMITÉE CFMOTO**

**A. Une période de couverture de GARANTIE DE 30 JOURS s'applique à tous les véhicules CFMOTO neufs en ce qui concerne :**

- Batterie
- Bougies
- Filtres à air
- Filtres à huile et à carburant

**B. Une période de couverture de GARANTIE DE 90 JOURS s'applique à tous les véhicules CFMOTO neufs en ce qui concerne :**

- Courroie d'entraînement
- Changement de vitesse, TVC et embrayage humide
- Câbles d'accélérateur et de freins
- Jantes avant/arrière
- Pneus avant/arrière
- Plaquettes ou sabots de frein avant/arrière
- Disques ou tambours de frein avant/arrière
- Roulements et joints de roue ou de colonne de direction
- Pièces, supports du moteur, poignées et soufflets en caoutchouc
- Leviers de frein ou d'embrayage
- Panneaux ou chevilles de plancher
- Treuil de VTT (si équipé)
- Ampoules/fusibles
- Parties plastiques de la carrosserie et défauts superficiels



## **GARANTIE LIMITÉE CFMOTO**

- 3. EXCLUSIONS DE LA GARANTIE :** Tout dommage attribuable aux actes ou circonstances ci-après n'est pas couvert par la garantie limitée de CFMOTO POWERSPORTS, Inc. :
- Incendie
  - Collision
  - Vol
  - Catastrophes naturelles inévitables
  - Remisage ou transport inadéquats
  - Non-respect ou négligence du programme d'entretien périodique du véhicule
  - Utilisation ou conduite inadéquate ou négligente du véhicule
  - Réparation ou réglages non autorisés
  - Modifications ou améliorations de la performance non autorisées
  - Utilisation du véhicule comme véhicule de location
  - Utilisation du véhicule dans des courses ou des compétitions
- 4. ENTRETIEN ET MAINTENANCE DU VÉHICULE :** Le propriétaire du véhicule doit correctement utiliser, entretenir et maintenir le véhicule conformément aux procédures décrites dans le Manuel du propriétaire de CFMOTO POWERSPORTS, Inc. Toute réparation sous garantie doit être réalisée exclusivement par des concessionnaires autorisés de CFMOTO POWERSPORTS, Inc. Tout travail sous garantie effectué par une personne ou entreprise autre qu'un concessionnaire autorisé de CFMOTO ne sera pas couvert par la garantie limitée de CFMOTO POWERSPORTS, Inc.

## GARANTIE LIMITÉE CFMOTO

- 5. TRANSFERT OU MAINTIEN DE LA GARANTIE :** Cette garantie est transférable seulement dans les conditions suivantes :
- Les informations sur le transfert doivent être fournies à un concessionnaire autorisé de CFMOTO POWERSPORTS, Inc., qui les fera suivre à CFMOTO POWERSPORTS, Inc.;
  - Le modèle et le numéro de série complets tels qu'ils sont inscrits sur le document original de garantie doivent être fournis.
  - Le nom et l'adresse du propriétaire actuel et du nouveau propriétaire doivent être fournis.
  - La date de livraison originale du véhicule doit être fournie.
  - Le nouveau (la nouvelle) propriétaire doit indiquer par écrit qu'il (elle) a reçu et lu le Manuel du propriétaire et la garantie de CFMOTO POWERSPORTS, Inc.
- 6. ENREGISTREMENT DE LA GARANTIE :** Le concessionnaire doit remplir un formulaire EAL (Examen avant livraison) et enregistrer la garantie du véhicule en ligne, et il doit fournir le document dûment complété de l'immatriculation du véhicule à CFMOTO POWERSPORTS, Inc., dans les sept (7) jours de la vente confirmée du véhicule. *Veillez noter qu'AUCUNE réclamation de garantie ne sera traitée à moins que le formulaire d'enregistrement en ligne de la garantie du produit soit dûment complété et que le formulaire envoyé par le concessionnaire ait été reçu par CFMOTO POWERSPORTS, Inc.*
- 7. RESPONSABILITÉS DU CONCESSIONNAIRE :** Un concessionnaire autorisé de CFMOTO doit effectuer toutes les réparations couvertes par la garantie sans aucun frais facturé au client, même s'il n'est pas le concessionnaire qui a vendu le véhicule CFMOTO au client, et il doit utiliser des pièces d'origine de CFMOTO pour toutes les réparations sous garantie. Tous les véhicules vendus par le concessionnaire doivent être inspectés et testés par le concessionnaire pour garantir qu'ils sont en bonne condition d'utilisation, avant la livraison au client. Aucun véhicule ne peut être livré à un client avant d'avoir, au préalable, fait l'objet d'une inspection et d'un test de fonctionnement du concessionnaire.

## GARANTIE LIMITÉE CFMOTO

- 8. ASSISTANCE AU CLIENT :** Toute question ou préoccupation à propos de votre véhicule CFMOTO ou de produits CFMOTO connexes doit être adressée à un concessionnaire autorisé de CFMOTO. Toutefois, si un concessionnaire est dans l'impossibilité de répondre aux préoccupations du client ou à un problème de produit, le client peut communiquer directement avec le service à la clientèle de CFMOTO POWERSPORTS par téléphone en signalant (763) 398-2690 ou par courriel à l'adresse : info@cfmotousa.com. Veuillez noter que le service à la clientèle ne peut ni approuver, ni refuser la garantie, et ne peut fournir aucun renseignement technique sur une réparation, ni aucun diagnostic, des instructions ou d'autres informations au-delà de ce qui est fourni dans le Manuel du propriétaire.
- 9. USAGE COMMERCIAL :** La durée de la garantie pour un usage commercial (sans location) est limitée à une période de six (6) mois.
- 10. PNEUS MONTÉS EN ÉQUIPEMENT D'ORIGINE :** Autres que ceux couverts par cette garantie, les pneus du véhicule fournis en tant qu'équipement d'origine sont garantis séparément par le fabricant individuel des pneus ou ses représentants.
- 11. CLAUSE DE NON-GARANTIE :** AUCUNE GARANTIE EXPRESSE N'EST FOURNIE PAR CFMOTO POWERSPORTS, INC. EN CE QUI CONCERNE LES VÉHICULES DE CFMOTO, SAUF SI UNE TELLE GARANTIE EST SPÉCIFIQUEMENT ÉNONCÉE DANS LA PRÉSENTE. TOUTE GARANTIE TACITE, GARANTIE DE QUALITÉ MARCHANDE, GARANTIE D'ADAPTATION À UN USAGE PARTICULIER, ET TOUTES LES GARANTIES TACITES DÉRIVANT D'OPÉRATIONS COMMERCIALES, D'UN USAGE DU COMMERCE, EN VERTU DE LA LOI OU AUTREMENT, SONT STRICTEMENT LIMITÉES AUX MODALITÉS ET CONDITIONS DE LA PRÉSENTE GARANTIE LIMITÉE ÉCRITE.

## **GARANTIE LIMITÉE CFMOTO**

- 12. INTÉGRALITÉ :** Cette garantie limitée remplace toutes les autres garanties orales, expresses ou écrites, de même que les déclarations ou entreprises qui auraient pu avoir été faites précédemment, et contient l'intégralité de l'accord des parties relativement à la garantie des véhicules de CFMOTO. Toutes les garanties non contenues dans cet accord en sont expressément exclues. Cette garantie est offerte à chaque propriétaire original (et les propriétaires ultérieurs) de tout véhicule tout-terrain de CFMOTO, pour la durée de la période de garantie originale. Cette garantie limitée sera le seul recours exclusif possible pour le client en ce qui concerne le véhicule garanti de CFMOTO. En cas de violation prétendue d'une garantie quelle qu'elle soit, ou d'une poursuite en justice intentée par le client sur la base d'une prétendue négligence ou autre inconduite par CFMOTO POWERSPORTS Inc., ou ses sociétés affiliées, le seul et exclusif recours du client sera une réparation ou un remplacement des composants défectueux comme énoncé ci-dessus, sauf disposition contraire de la loi. Certains États n'autorisent pas de limitation à la durée d'une garantie tacite, ce qui fait que les limitations ci-dessus peuvent ne pas s'appliquer si elles sont jugées contraires à la législation des États respectifs.

**GARANTIE LIMITÉE CFMOTO**  
**DÉCLARATION DE GARANTIE SELON LES NORMES CALIFORNIENNES**  
**SUR LE RECYCLAGE DES VAPEURS DE CARBURANT**  
**DROITS ET OBLIGATIONS DU PROPRIÉTAIRE EN VERTU DE LA GARANTIE**

**INTRODUCTION:**

Le California Air Resources Board (CARB) et CFMOTO Powersports, Inc. (CFMOTO) se font un plaisir d'expliquer la garantie du recyclage des vapeurs de carburant qui s'applique aux véhicules récréatifs hors route (VRHR) de 2020 et des années ultérieures. En Californie, les nouveaux véhicules récréatifs hors route doivent être conçus, construits et équipés de façon à satisfaire aux strictes normes anti-pollution de l'État. CFMOTO doit garantir le recyclage des vapeurs de carburant de votre VRHR pour la durée stipulée ci-dessous, à condition que votre véhicule n'ait pas fait l'objet d'abus, de négligence ou d'entretien inadéquat qui provoqueraient une défaillance du système anti-pollution.

Le système de recyclage des vapeurs de carburant peut inclure des pièces telles que : systèmes d'injection de carburant, systèmes de commande électronique, réservoirs de carburant, conduites de carburant, bouchons de réservoir de carburant, soupapes, réservoirs à charbon actif, filtres, tuyaux de vapeur, courroies, brides, connecteurs, et d'autres composants associés au recyclage des vapeurs de carburant. S'il s'agit d'une condition sous garantie, CFMOTO réparera votre VRHR gratuitement, y compris le diagnostic, les pièces et la main-d'œuvre.

## **GARANTIE LIMITÉE CFMOTO**

### **PÉRIODE DE GARANTIE DU FABRICANT :**

La période de garantie pour ce VRHR est de 30 mois, ou 2500 miles, ou 250 heures, selon la première éventualité, sauf pour les pièces « coûteuses » garanties, qui sont couvertes pour une période de 60 mois, ou 5000 miles, ou 500 heures, selon la première éventualité. Toute pièce relative au recyclage des vapeurs de carburant qui s'avère défectueuse sera réparée ou remplacée par CFMOTO.

### **RESPONSABILITÉS DU PROPRIÉTAIRE EN VERTU DE LA GARANTIE :**

À titre de propriétaire du VRHR, vous êtes tenu d'effectuer l'entretien tel qu'il est indiqué dans le Manuel du propriétaire. CFMOTO vous conseille de conserver tous les reçus relatifs à l'entretien de votre VRHR, mais CFMOTO ne peut pas refuser les réclamations sous garantie seulement en raison de l'absence de reçus ou de votre non-respect à assurer la mise en œuvre d'un entretien programmé.

En tant que propriétaire, vous êtes tenu de présenter votre VRHR à un concessionnaire de CFMOTO dès qu'un problème apparaît. Les réparations sous garantie doivent être effectuées dans un délai raisonnable ne dépassant pas 30 jours. À titre de propriétaire de VRHR, vous devez également savoir que CFMOTO pourrait vous refuser la garantie si votre VRHR ou une de ses pièces s'avère défectueux par suite d'un usage abusif, d'une négligence, d'un mauvais entretien ou de modifications non approuvées pièces de garantie contre les émissions suivante est couverte :

## GARANTIE LIMITÉE CFMOTO

### PIÈCES SOUS GARANTIE :

La réparation ou le remplacement de toute pièce sous garantie ou admissible à la garantie, peut être exclu(e) de cette garantie si CFMOTO démontre que le VRHR a fait l'objet d'abus, de négligence, de mauvais entretien et qu'un tel abus, une telle négligence, ou un tel mauvais entretien a été la cause directe de la nécessité de réparer ou de remplacer ladite pièce. Néanmoins, tout ajustement d'une pièce ou composant muni d'un dispositif de limitation de réglage installé en usine et en bon état de fonctionnement, reste admissible à la garantie. Les pièces couvertes au titre de la garantie anti-pollution sont indiquées dans la liste ci-après :

- Réservoir de carburant<sup>\$</sup>
- Bouchon du réservoir de carburant
- Conduites de carburants
- Raccords de conduite de carburant
- Brides
- Clapets de décharge de pression\*
- Soupapes de commande\*
- Solénoïdes de commande\*
- Commandes électroniques\*
- Module de commande électronique \*\$
- Membranes de contrôle du vide\*
- Câbles de commande\*
- Tringleries de commande\*
- Soupapes de purge
- Tuyaux de vapeur
- Séparateur de liquide/vapeur
- Réservoir à charbon actif
- Supports de réservoir

\* Pièces reliées au recyclage des vapeurs de carburant installées sur le véhicule ; \$= pièces coûteuses garanties.

**LE RETRAIT OU LA MODIFICATION DES PIÈCES LIÉES AUX ÉMISSIONS PAR ÉVAPORATION SUR CET OHRV EST ILLÉGAL. LES VIOLATEURS PEUVENT ÊTRE SOUMIS À DES SANCTIONS CIVILES ET/OU CRIMINELLES TELLES QUE PRÉVUES PAR LA LOI CALIFORNIENNE ET FÉDÉRALE.**

Si vous avez des questions concernant vos droits et responsabilités en matière de garantie, vous devez contacter CFMOTO au 763 398-2690 ; 555 Holly Lane N. Suite #30 Plymouth, MN 55447 ou le California Air Resources Board au 9528 Telstar Avenue, El Monte, CA 91731.

## **GARANTIE LIMITÉE CFMOTO**

### **Garantie limitée sur le contrôle des émissions de l'EPA et du CARB des États-Unis**

Cette garantie limitée sur les émissions s'ajoute à la garantie limitée standard de CFMOTO Powersports, Inc. pour votre véhicule. CFMOTO Powersports, Inc. garantit qu'au moment de son premier achat, ce véhicule certifié en matière d'émissions est conçu, construit et équipé de manière à être conforme aux réglementations en vigueur sur les émissions de l'Environmental Protection Agency (EPA) des États-Unis et du California Air Resource Board (CARB). CFMOTO Powersports, Inc. garantit également que le véhicule est exempt de défauts de matériaux et de fabrication qui l'empêcheraient de respecter ces réglementations.

La période de garantie pour ce véhicule certifié antipollution commence à la date d'achat initial du véhicule et se poursuit pendant une période de 500 heures de fonctionnement du moteur, 5 000 kilomètres (3 100 miles) de déplacement du véhicule ou 30 mois civils à compter de la date d'achat. Peu importe lequel vient en premier. Cette garantie limitée sur les émissions couvre les composants dont la défaillance augmente les émissions réglementées du véhicule, ainsi que les composants des systèmes dont le seul objectif est de contrôler les émissions. La réparation ou le remplacement d'autres composants non couverts par cette garantie relève de la responsabilité du propriétaire du véhicule. Cette garantie limitée sur les émissions ne couvre pas les composants dont la défaillance n'augmente pas les émissions réglementées du véhicule.

Pour les émissions d'échappement, les composants liés aux émissions comprennent toutes les pièces du moteur liées aux systèmes suivants :

- Système d'admission d'air (exclut les filtres)
- Système de carburant (exclut les filtres)
- Système d'allumage (exclut les bougies d'allumage)
- Systèmes de recirculation des gaz d'échappement

Les pièces suivantes sont aussi considérées comme des composants reliés aux émissions polluantes d'échappement :

- Appareils de traitement secondaire
- Capteurs
- Soupapes de ventilation du carter moteur
- Blocs de commande électronique



## **GARANTIE LIMITÉE CFMOTO**

Les pièces suivantes sont considérées comme des composants reliés aux émissions de vapeurs de carburant :

- Réservoir de carburant
- Bouchon du réservoir de carburant
- Conduite de carburant
- Raccords de la conduite de carburant
- Brides\*
- Soupape de décharge de pression\*
- Soupapes de commande\*
- Solénoïdes de commande\*
- Commandes électroniques\*
- Membranes de contrôle du vide\*
- Câbles de commande\*
- Tringleries de commande\*
- Soupapes de purge
- Tuyaux de vapeur
- Séparateur de liquide/vapeur
- Réservoir à charbon actif
- Supports de réservoir
- Connecteur d'orifice de purge du carburateur

\* Pièces reliées au système de recyclage des vapeurs de carburant.

## **GARANTIE LIMITÉE CFMOTO**

LES RECOURS ÉNONCÉS DANS CETTE GARANTIE LIMITÉE SONT LES SEULS RECOURS DISPONIBLES POUR TOUTE PERSONNE EN CAS DE VIOLATION DE CETTE GARANTIE. CFMOTO POWERSPORTS, INC. NE SERA PAS RESPONSABLE ENVERS TOUTE PERSONNE POUR LES DOMMAGES ACCESSOIRES, CONSÉCUTIFS OU SPÉCIAUX DE TOUTE DESCRIPTION, QU'ILS DÉCOULENT D'UNE GARANTIE EXPRESSE OU IMPLICITE OU DE TOUT AUTRE CONTRAT, NÉGLIGENCE OU AUTRE DÉLIT OU AUTRE. CETTE EXCLUSION DES DOMMAGES CONSÉCUTIFS, ACCESSOIRES ET SPÉCIAUX EST INDÉPENDANTE ET SURVIVRA À TOUT CONSTATATION QUE LE RECOURS EXCLUSIF A ÉCHOUÉ DE SON OBJECTIF ESSENTIEL.

TOUTES LES GARANTIES IMPLICITES (Y COMPRIS, MAIS SANS LIMITATION, TOUTES GARANTIES IMPLICITES DE QUALITÉ MARCHANDE ET D'ADAPTATION À UN USAGE PARTICULIER) SONT LIMITÉES EN DURÉE À LA PÉRIODE DE GARANTIE DÉCRITE ICI. CFMOTO POWERSPORTS, INC. DÉCLINE TOUTE GARANTIE EXPRESSE NON DÉCLARÉE DANS CETTE GARANTIE.

## **GARANTIE LIMITÉE CFMOTO**

LA DURÉE DE TOUTES LES GARANTIES IMPLICITES (Y COMPRIS, MAIS NON DE FAÇON LIMITATIVE, TOUTES GARANTIES IMPLICITES DE QUALITÉ MARCHANDE ET D'ADÉQUATION À UN USAGE PARTICULIER) EST LIMITÉE À LA PÉRIODE DE GARANTIE DÉCRITE DANS LES PRÉSENTES. CFMOTO POWERSPORTS, INC. DÉCLINE TOUTE GARANTIE EXPLICITE NON STIPULÉE DANS LA PRÉSENTE GARANTIE.

Certains états ne permettent aucune limitation de durée d'une garantie implicite; il est possible que la limitation ci-dessus ne s'applique pas à une situation si elle est incompatible avec les lois en vigueur. La garantie limitée exclut toute panne qui n'est pas causée par un vice de matériau ou de fabrication. Cette garantie limitée ne couvre pas les dommages accidentels, ni ceux dus à un emploi abusif ou incorrect, un entretien ou un usage incorrects. Cette garantie limitée ne couvre pas non plus un moteur dont la structure a été modifiée ou si le véhicule a été utilisé dans une course ou une compétition. Cette garantie limitée ne couvre pas non plus les dommages physiques, la corrosion ou les défauts dus à un incendie, une explosion ou à toute autre cause indépendante de la volonté de CFMOTO Powersports, Inc. Les propriétaires sont responsables d'effectuer l'entretien prévu indiqué dans le manuel d'utilisation. CFMOTO Powersports, Inc. peut refuser des réclamations au titre de la garantie pour des défaillances causées par un entretien ou un usage inapproprié de la part du propriétaire ou du conducteur, ou par un accident pour lequel CFMOTO Powersports, Inc. n'a aucune responsabilité, ou par une catastrophe naturelle. Tout atelier de réparation reconnu ou toute personne qualifiée peut faire l'entretien, remplacer ou réparer les appareils ou systèmes de lutte contre les émissions de ce véhicule. CFMOTO Powersports, Inc. recommande que vous vous adressiez à un concessionnaire agréé de CFMOTO Powersports, Inc. pour effectuer tous les entretiens requis pour ce véhicule. CFMOTO Powersports, Inc. recommande également l'usage de pièces originales de CFMOTO Powersports, Inc. L'offre de pièces limitant l'efficacité du système de lutte contre les émissions de la part d'un fournisseur du marché de pièces de rechange, constitue un abus potentiel de la Loi sur l'assainissement de l'air. L'altération non autorisée du système de lutte contre les émissions est interdite par la loi fédérale.

Si vous avez des questions à propos de vos droits et responsabilités quant à la garantie, veuillez communiquer avec CFMOTO Powersports, Inc. en faisant le 888 823-6686.

## **GARANTIE LIMITÉE CFMOTO**

### **Système de lutte contre le bruit et altération du système**

Durée de la garantie : 1865 milles (3000 km)

La loi fédérale interdit ce qui suit :

- (1) À quiconque de déposer ou de rendre inopérant, sauf à des fins d'entretien, de réparation ou de remplacement, tout dispositif ou élément de la conception incorporé dans un véhicule neuf dans le but de réduire le bruit, avant sa vente ou sa livraison à l'acheteur final ou pendant son utilisation, ou :
- (2) L'utilisation du véhicule après qu'un tel dispositif ou élément de conception ait été déposé ou rendu inopérant par quiconque.

PARMI LES ACTES PRÉSUMÉS CONSTITUER UNE ALTÉRATION DU SYSTÈME,  
ON COMPTE LES ACTES CI-APRÈS :

De tels actes incluent l'altération (c.-à-d., modification, dépose, etc.) des systèmes suivants :

Système d'échappement :

- Pot d'échappement
- Échappement
- Silencieux

Système d'admission :

- Boîtier du filtre à air
- Élément de filtre à air
- Conduit d'admission

## Changement de propriétaire

Si vous vendez votre véhicule, toute la période restante valide de la garantie peut être transférée au nouveau propriétaire. Veuillez enregistrer les détails de l'échange dans le formulaire ci-dessous et informer un concessionnaire autorisé de CFMOTO :

Changement de propriétaire	Acheteur original	2° propriétaire	3° propriétaire	4° propriétaire
Nom du propriétaire				
Adresse				
Ville				
Province / code postal				
Téléphone				
Courriel				
Date d'achat				
Kilométrage				
Signature de nouveau propriétaire				

**REMARQUE** : Si le formulaire de Changement de propriétaire rempli n'inclut pas les détails requis ou s'il est imprécis, CFMOTO se réserve le droit de faire enquête sur le propriétaire réel du produit et l'historique de l'entretien et des réparations, et de refuser éventuellement la demande de transfert de garantie si les conditions n'ont pas été respectées.

## Application CFMOTO RIDE / Boitier Télématique

CFMOTO RIDE est une plate-forme de services mobiles intelligente, en réseau, dont le cœur est l'interconnexion homme-véhicule. CFMOTO RIDE s'engage à fournir des services complets en ligne aux passionnés de sport automobile.

Le module télématique, ou T-BOX, est un terminal de véhicule intelligent qui crée un pont de communication entre les propriétaires et les véhicules via l'application CFMOTO RIDE. Lorsque la T-BOX est équipée, le propriétaire peut profiter des fonctionnalités intelligentes du CFMOTO RIDE.

Le module télématique est facultatif sur certains marchés. Vérifiez auprès de votre concessionnaire pour déterminer si votre véhicule est équipé de la télématique (T-BOX), ou téléchargez l'application CFMOTO RIDE, envoyez votre question via l'option [feedback] et CFMOTO vérifiera pour vous.



### Application CFMOTO RIDE

Scannez le code QR pour télécharger l'application CFMOTO RIDE depuis l'App Store d'Apple pour iPhone ou Google Play pour Android.



### CFMOTO RIDE Facebook

Scannez le code QR pour suivre CFMOTO RIDE sur Facebook et soyez le premier à recevoir des notifications sur les mises à jour et les actualités de l'application.



### Site Web CFMOTO RIDE

Scannez le code QR pour explorer la plateforme intelligente CFMOTO RIDE sur le site Web mondial CFMOTO.

CFMOTO RIDE fournit diverses fonctionnalités intelligentes telles que le manuel du propriétaire du véhicule, les détails de conduite, la navigation, les mises à jour Over-The-Air (OTA), la géolocalisation, les rappels statiques, etc. Les fonctionnalités disponibles varient en fonction de la configuration du véhicule/modèle et des exigences du marché mondial. Veuillez télécharger CFMOTO RIDE et profiter de l'expérience de conduite intelligente !



MANUFACTURED BY / FABRIQUÉ PAR :

**ZHEJIANG CFMOTO POWER CO., LTD.**

NO.116, Wuzhou Road, Yuhang Economic Development  
Zone, Hangzhou 311100, Zhejiang Province, China

Tel / Tél : 86-571-86258863

Fax : +86-571-89265788

E-mail : [service@cfmoto.com.cn](mailto:service@cfmoto.com.cn)  
[global.cfmoto.com](http://global.cfmoto.com)

DISTRIBUTED BY / DISTRIBUÉ PAR:

**CFMOTO POWERSPORTS INC.**

5005 Nathan Lane N.  
Plymouth MN, 55442 USA

Toll free / Sans frais : (888) 8-CFMOTO (823-6686)

Tel / Tél : 763 398-2690 Fax : 763 398-2695  
[cfmoto.ca](http://cfmoto.ca)

DISTRIBUTED BY / DISTRIBUÉ PAR:

**CANADA MOTOR IMPORT INC.**

24, rue Industrielle  
Saint-Benoît-Labre (Québec)  
CANADA G0M 1P0

Tel / Tél. : 418 227-2077  
[cfmoto.ca](http://cfmoto.ca)