



450NK

OWNER'S MANUAL GUIDE DE L'UTILISATEUR

READ THIS MANUAL CAREFULLY

It contains important safety information.
Make sure operator holds a valid driver license.
Passengers under 12 are prohibited.

VEUILLEZ LIRE ATTENTIVEMENT CE MANUEL

Il contient des informations de sécurité importantes.
Assurez-vous que l'opérateur détient un permis de conduire valide.
Les passagers de moins de 12 ans sont interdits.

TABLE OF CONTENTS

FOREWORD	8
EVAP System (Evaporative Emission Control System)	9
Catalytic Converter	10
INTRODUCTION	13
VIN AND ENGINE SERIAL NUMBER	14
SPECIFICATIONS	15
OPERATOR SAFETY	18
General Safety Precautions	18
Equipment Modifications	19
Owner Responsibilities	22
Safe Riding Gear	23
AVOID DANGEROUS RIDING BEHAVIORS	26
SAFETY DECALS AND LOCATIONS	30
VEHICLE VIEW	32
Left View	32
Right View	33
Top View	34
OPERATING PARTS	35

Clutch Lever	35
Front Hand Brake Lever	35
Handlebar Switch, LH	36
Handlebar Switch, RH	37
Throttle Grip	37
Locks	38
Gear Shift Lever	39
Rear Brake Lever	40
Side Stand	40
Passenger Handhold and Footrests	41
INSTRUMENT	42
Activation and Testing	42
Instrument Indicators	43
Instrument Display	46
Instrument Menu	52
OPERATING YOUR VEHICLE	79
Break-In Period	79
Daily Safety Inspection	80
Starting	82
Starting Off	83

Shifting, Riding	83
Brake	85
Parking	86
SAFETY OPERATION	87
Safe Riding Tips	87
Additional Cautions for High Speed Operation	89
MAINTENANCE	90
Improper Use	90
Key Points of Lubrication Schedule	91
Break-In Maintenance Chart	92
Periodic Maintenance Chart	95
CLUTCH LEVER FREE PLAY	101
GEARSHIFT LEVER ADJUSTMENT	102
TOOL KIT	102
FUEL SYSTEM	103
Fuel Tank	103
Fuel Requirements	104
Octane Rating (RON)	104
ENGINE ASSEMBLY	105

Oil Level Inspection	105
Oil and Oil Filter Replacement	106
Oil Capacity	107
Spark Plug.....	108
Idling.....	108
AIR INTAKE AND EXHAUST SYSTEM.....	109
Exhaust Detecting System	109
Air Intake Valve	109
Valve Clearance	110
Air Filter	111
Throttle Body.....	111
COOLING SYSTEM	112
Radiator and Cooling Fan	112
Radiator Hoses	112
Coolant.....	113
Coolant Level Inspection	115
Coolant Replenishment.....	116
TIRES AND CHAINS	117
Tire Specifications	117
Tire Payload	118

Tire Friction	119
Drive Chain Inspection	120
Drive Chain Tension Adjustment	121
BRAKE SYSTEM	123
Front Brake Lever Inspection	123
Rear Brake Pedal Inspection	123
Brake Fluid Level Inspection	124
Brake Fluid Replenishment	125
Brake Disc Inspection	127
Brake Caliper Inspection	127
Anti-Lock Braking System (ABS)	128
SHOCK ABSORBERS	129
Shock Absorber Inspection	129
Rear Shock Absorber Adjustment	129
ELECTRICAL SYSTEM AND LIGHTS	130
Battery	130
Battery Removal.....	133
Battery Mounting	134
Lights.....	135
Fuses	136

CATALYTIC CONVERTER	137
EVAPORATIVE EMISSION CONTROL SYSTEM	138
CLEANING AND STORAGE	139
General Precautions	139
Washing the Vehicle.....	140
Polishing the Surface	141
Windshield and Other Plastic Parts.....	141
Chrome and Aluminum.....	141
Preparation for Storage.....	142
Preparation After Storage.....	143
COMMON PROBLEMS AND CAUSES.....	144
Reporting Safety Defects	146
WARRANTY INFORMATION.....	147
Change of Ownership	147
CFMOTO LIMITED WARRANTY.....	148
GENERAL TORQUE CHART	157
CRUCIAL TORQUE CHART	157
TELEMATICS BOX	161

FOREWORD

Thank you for purchasing a CFMOTO vehicle, and welcome to our world-wide family of CFMOTO enthusiasts. Be sure to visit us online at www.cfmoto.com for the latest news, new product introductions, upcoming events, and more.

CFMOTO is an international company that specializes in the development, manufacture, and marketing of all-terrain vehicles, utility vehicles, large displacement motorcycles, and their core components. Founded in 1989, CFMOTO is devoted to the development of independent brand cultivation and R&D innovation. CFMOTO products are currently distributed through more than 2000 companions worldwide in more than 100 countries and regions. CFMOTO is edging into the advanced ranks in the world of powersports, and aims to supply superior products to dealers and fans globally.

For safe and enjoyable operation of your vehicle, be sure to follow the instructions and recommendations in this owner's manual. Your manual contains instructions for minor maintenance. Information about major repairs is outlined in the CFMOTO Service Manual.

Your CFMOTO dealer knows your vehicle best and is interested in your total satisfaction. Be sure to return to your dealership for all of your service needs during, and after, the warranty period.

Due to constant improvements in the design and quality of production components, some minor discrepancies may result between the actual vehicle and the information presented in this publication.

Depictions and/or procedures within are intended for reference use only.

Before every ride, please inspect your vehicle and follow the basic maintenance procedures before riding. Please keep this manual together with your vehicle, even when transferring the vehicle to others.

Zhejiang CFMOTO power Co., Ltd reserves the final explanation rights of the owner's manual.

This manual is for the following vehicles: CF400-7US

FOREWORD

DANGER

Operating, servicing and maintaining on-road or off-road vehicles can expose you to chemicals including engine exhaust, carbon monoxide, phthalates, and lead, which are known to the State of California to cause cancer and birth defects or other reproductive harm. To minimize exposure, avoid breathing exhaust, do not idle the engine except as necessary, service your vehicle in a well-ventilated area and wear gloves or wash your hands frequently when servicing your vehicle. For more information, go to: www.p65warnings.ca.gov

EVAP System (Evaporative Emission Control System)

(If equipped)

When required by environmental emissions regulations, this vehicle is manufactured with a fuel evaporation system (EVAP) to prevent fuel vapors entering the atmosphere from the fuel tank and fuel system.

During routine maintenance, visually inspect all hose connections for leaks or blockage. Ensure the hoses are not clogged or kinked, which could damage the fuel pump or distort the fuel tank. No other maintenance is necessary.

Contact your dealer if repair is required. Do not modify the EVAP system. Modifying any part of this system will violate environmental emissions regulations.

FOREWORD

Catalytic Converter

CAUTION: Please pay attention to the following to protect your catalytic converter:

- Use only unleaded gasoline. Even gasoline that contains a little lead could damage the reactive metals contained in the catalytic converter and disable it.
- Never add rust preventive oil or engine oil into the muffler. Doing so could damage the catalytic converter.

NOTE

Some features described within this manual may not apply to models sold in North America.

All descriptions and directions given are from the operator's perspective when properly seated.

Information in this publication is based on the latest production available at the time of approval for printing.

CFMOTO reserves the right to make changes at any time without notice and without incurring any obligation.

FOREWORD

Signal Words

A signal word calls attention to a safety message or messages, a property damage message or messages, and designates a degree or level of hazard seriousness. The standard signal words in this manual are **DANGER**, **WARNING**, **CAUTION** and **NOTE**.

The following signal words and symbols appear throughout this manual and on your vehicle. Your safety is involved when these words and symbols are used. Become familiar with their meanings before reading the manual:

DANGER

This safety alert and icon indicates a potential hazard that may result in serious injury or death.

WARNING

This safety alert and icon indicates a potential hazard that may result in minor or moderate personal injury and/or damage to the vehicle.

CAUTION

This safety alert and icon indicates a potential hazard that may result in damage to the vehicle.

NOTE

A note or notice will alert you to important information or instructions.

FOREWORD
READ THE OWNER'S MANUAL
FOLLOW ALL INSTRUCTIONS AND WARNINGS

 WARNING

Read, understand, and follow all of the instructions and safety precautions in this manual and on all product labels. Failure to follow the safety precautions could result in serious injury or death.

 WARNING

The engine exhaust gas from this product contains CO, which is deadly gas and could cause headaches, giddiness, loss of consciousness, or even death.

INTRODUCTION

Thank you for purchasing a CFMOTO vehicle, and welcome to our world-wide family of CFMOTO enthusiasts. For safe and enjoyable operation of your vehicle, be sure to follow the instructions and recommendations in this owner's manual. Information about major repairs are outlined in the CFMOTO Service Manual, and should only be performed by a CFMOTO service dealer and technician. Be sure to return to your dealership for all of your service needs during, and after, the warranty period.

If you have questions or concerns about your vehicle

All questions or concerns related to your vehicle should be directed to your local CFMOTO dealer first. Your dealer knows your vehicle best and is interested in your total satisfaction. In the event your local dealer is unable to resolve a product issue or concern, you can reach a CFMOTO customer service representative depending on the market you reside in:

For USA: Please contact CFMOTO POWERSPORTS, INC. TEL: 763-398-2690, by e-mail: info@cfmotousa.com, or online: <https://cfmotousa.com/customer-care/customer-care-contact>. Please note that customer service does not have authority to approve or deny warranty, and cannot provide technical repair data, diagnosis, or instructions.

For CANADA: Please contact CANADA MOTOR IMPORT INC. TEL: 1-418-227-2077, or online: <https://www.cfmoto.ca/en/customer-care/>.

For a safety concern related to your Canadian vehicle, you may report your concern to Transport Canada Defect Investigation and Recalls Division by mail, telephone, or online using the contact information below:

Mailing address: Transport Canada - ASFAD, 330 Sparks Street, Ottawa, ON, K1A 0N5

TEL: 819-994-3328 (Ottawa-Gatineau area or international) or toll-free: 1-800-333-0510 (In Canada)

Online: <http://www.tc.gc.ca/recalls>

INTRODUCTION

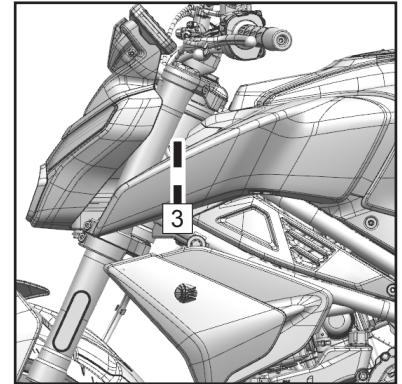
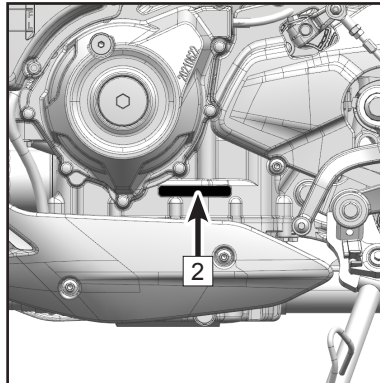
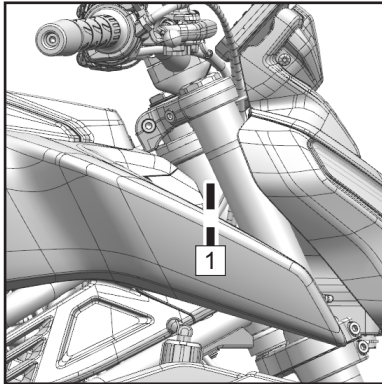
VIN AND ENGINE SERIAL NUMBER

Please record the VIN, engine serial number and name plate information in the spaces below.

Vehicle Identification Number:

Engine Serial Number:

Name Plate Number:



1	VIN	2	Engine Serial Number	3	Vehicle Plate
---	-----	---	----------------------	---	---------------

SPECIFICATIONS

	450NK
	CF400-7US
Performance	
Max power	49.6 Hp (37 Kw) / 9500 RPM
Max torque	28.8 ft-lb (39 N•m) / 7600 RPM
Min. turn diameter	16 ft (5 m)
Top designed speed	110 mph (178 km/h)
Size	
Length	78.5 in (1995 mm)
Width	31.7 in (805 mm)
Height	45.3 in (1150 mm)
Wheelbase	53.7 in (1365 mm)
Seat height	31.3 in (795 mm)
Ground clearance	7.6 in (192 mm)
Curb weight	374.8 lb (170 kg)
Engine	
Type	Twin cylinder in parallel, four stroke, liquid cooled
Displacement	449 CC
Bore×stroke	2.83 in × 2.17 in (72 mm × 55.2 mm)
Compression ratio	11.5 : 1
Starting system	Electric starter

SPECIFICATIONS

Fuel supplying system	EFI	
Ignition control system	ECU Ignition	
Lubricating system	Pressure splash	
Oil capacity	2.64 qt (2.5 L)	
Engine oil type	SAE 10W-40 JASO MA2	
Coolant capacity	40.6 oz (1200 mL) + about 6.8 oz (200 mL) (Reservoir)	
Idle speed	1400 RPM \pm 140 RPM	
Transmission		
Transmission type	6-speed, international standard gear	
Clutch type	Wet, multi disc, sliding clutch	
Driving system	Chain drive	
Primary reduction ratio	2.088	
Final reduction ratio	2.929	
Gear ratio	1 st	2.929
	2 nd	2.056
	3 rd	1.579
	4 th	1.333
	5 th	1.154
	6 th	1.037
Chassis		
Tire size	Front	110 / 70 R17 M/C
	Rear	150 / 60 R17 M/C

SPECIFICATIONS

Rim size	Front	MT 3.0 × 17
	Rear	MT 4.0 × 17
Capacity of fuel tank	3.7 gal (14 L)	
Average fuel consumption per 100 Km	≤1.3 gal (4.8 L)	
Electric components		
Battery	12 V 12 Ah	
Headlight	LED	
Turning light	LED	
Tail light	LED	

OPERATOR SAFETY

General Safety Precautions

WARNING

Please read this manual carefully before operating the vehicle and understand all safety warnings, precautions and operating procedures.

Age Limit

This model is for adults only. The operator must acquire a driving license as required by local laws and regulations, and children under the age of 12 are not allowed to ride CFMOTO's passenger-carrying vehicles.

Know Your Vehicle

As the operator of the vehicle, you are responsible for your personal safety, the safety of others, and the protection of the environment. Read and understand your owner's manual, which includes valuable information about all aspects of your vehicle, including safe operating procedures.

OPERATOR SAFETY

Equipment Modifications

CFMOTO is concerned with the safety of our customers and of the general public. Therefore, we strongly recommend that consumers should not mount on a vehicle, any equipment that may increase the speed or power of the vehicle, or make any other modifications to the vehicle for these purposes. Any modifications to the original equipment of the vehicle create substantial safety hazards and increase the risk of body injury. The warranty on your vehicle is terminated if any unapproved accessory equipment has been added to the vehicle, or if any modifications have been made to the vehicle that increase its speed or power.

NOTE:

Some equipment may change the handling and performance of the vehicle, including but not limited to side boxes, exhaust pipes, side wheels, etc. Use only approved equipment and familiarize yourself with its functions and roles on the vehicle.

Avoid Carbon Monoxide Poisoning

All engine exhaust contains carbon monoxide, a deadly gas. Breathing carbon monoxide can cause headaches, dizziness, drowsiness, nausea, giddiness and even death. Carbon monoxide is a colorless, odorless, tasteless gas that may be present even if you do not see or smell any engine exhaust. Deadly levels of carbon monoxide can accumulate rapidly, and you can quickly be overcome and unable to save yourself. Also, deadly concentration of carbon monoxide can remain for hours or days in enclosed or poorly ventilated areas.

To prevent serious injury or death from carbon monoxide:

- Never run the vehicle in poorly ventilated or partially enclosed areas.
- Never run the vehicle outdoor where engine exhaust can be drawn into a building through openings such as windows and doors.

OPERATOR SAFETY

Avoid Gasoline Fires and Other Hazards

Gasoline is extremely flammable and highly explosive. Fuel vapors can spread and be ignited by a spark or flame many feet away from the engine. To reduce the risk of fire or explosion, follow these instructions:

- Use an approved gasoline tank to store fuel.
- Strictly adhere to proper fueling procedures.
- Never start or operate the engine if the fuel cap is not properly mounted. Gasoline is poisonous and can cause injury or death.
- Never siphon gasoline by mouth.
- If you swallow gasoline, get any in your eye (s) , or inhale gasoline vapor, see a doctor immediately.
- If gasoline spills on you, wash with soap and water and change your clothes.

Fuel Minimum Octane Rating and Safety Warnings

The minimum recommended fuel for this vehicle is 87# octane gasoline, premium or intermediate gasoline (a maximum blend of 10% ethanol is allowed). Non-oxygenated (ethanol-free) fuel is recommended for best performance in all conditions.

OPERATOR SAFETY

WARNING

Gasoline is highly flammable and explosive under certain conditions. Allow the engine and exhaust system to cool before filling the tank. Always be highly cautious whenever handling gasoline. Always refuel the vehicle when the engine is stopped outdoors or in a well-ventilated area. Do not smoke or allow open flames or sparks in or near the area where refueling is performed, or where gasoline is stored.

Do not overfill the tank. Do not fill fuel to the tank neck.

If gasoline spills on your skin or clothing, immediately wash it off with soap and water and change clothing. Never start the engine or let it run in an enclosed area. Engine exhaust fumes are poisonous and can cause loss of consciousness or death in a short time. The engine exhaust from this product contains chemicals known to cause cancer, birth defects or other reproductive harm. Operate this vehicle only outdoors or in well-ventilated areas.

Avoid Burns From Hot Parts

The exhaust system and engine become hot during operation. Avoid touching them during and shortly after operation to avoid burns.

OPERATOR SAFETY

Owner Responsibilities

Be Qualified and Responsible

Read this Owner's Manual and the warning labels on this vehicle carefully. Take a safety training course on open areas if possible and practice at low speed. Higher speed requires greater experience, knowledge and suitable riding conditions. Be familiar with the control technology and the general operations of the vehicle.

This vehicle is an ADULT VEHICLE ONLY. The operator must acquire a driving license as required by local laws and regulations. Operators must be tall enough with physical capacity to: be properly seated, hold the handlebar with both hands, fully operate the clutch lever with the left hand, fully operate the brake lever with the right hand, fully operate the foot brake lever with the right foot, be able to firmly put both feet on the foot pegs, and be able to balance the vehicle with the feet when stopped and seated.

Carrying a Passenger

- Only carry one passenger. The passenger must be properly seated in the passenger seat.
- The passenger should be over 12 and be tall enough to always be properly seated when holding handhold, and feet firmly put on the foot pegs.
- Never carry a passenger who has used drugs or alcohol, or is tired or ill. These slow reaction time and impair judgment.
- Instruct the passenger to read the vehicle's safety labels.
- Never carry a passenger if you think that their ability or judgment is insufficient to concentrate on the terrain conditions and adapt accordingly.

OPERATOR SAFETY

Safe Riding Gear

Always wear clothing suited to the type of riding for the driver and passenger, includes:

1. An approved helmet
2. Goggles
3. Gloves
4. Long-sleeved shirts or jackets
5. Long pants
6. Over-the-ankle boots

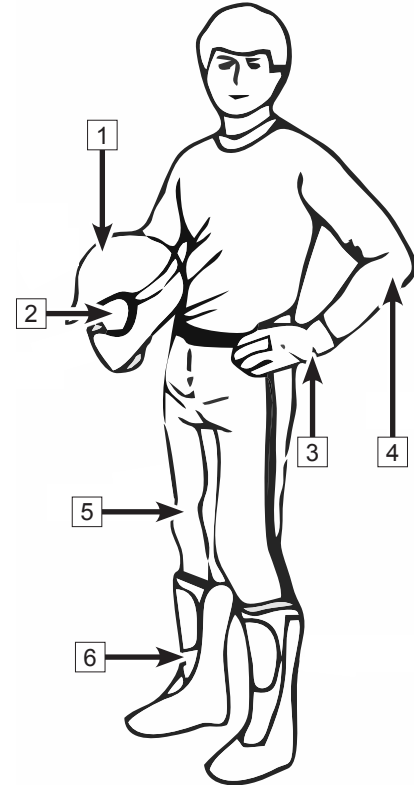
According to the actual weather, you may need extra apparel, such as anti-fog goggles, thermal underwear and a face guard for cold weather. The operator must never wear loose clothing that may get entangled in the vehicle or on tree branches and shrubs.

Helmets and Goggles

An approved helmet can prevent a serious head injury if an accident occurs. Please note that even the best helmet is no guarantee against injury.

The helmet you choose should meet the standard for your country or area and its size should suit you. A closed-face helmet with face shield will be better at preventing impacts from insects, flying rocks, dust and scattered debris, etc.

An open-face helmet can not offer the same protection for your



OPERATOR SAFETY

face and jaw. Please wear detachable face masks and goggles when wearing an open-face helmet.

Do not depend on eyeglasses or sunglasses for enough eye protection, as they are not rated for impact protection. Debris may fly up and break a lens, causing eye injury.

Use tinted masks or goggles only during the day in bright light, do not use them at night or in poor light. They may affect your ability to distinguish colors. Do not use them if your color discrimination is affected.

Gloves

Full-finger gloves could protect your hands from wind, sun, heat, cold, and splash. Well-fitted gloves are helpful for steering and relieving hand fatigue. If the gloves are too heavy, it will be difficult to operate the vehicle.

A pair of strong motorcycle gloves offers protection for your hands in the event of an accident or turnover. Snowmobile gloves offer better protection when operating in cold areas.

Jackets, Pants and Motorcycle Suits

Wear a jacket or a long-sleeved shirt and long pants, or a full set of riding suit. Quality protective gear will provide comfort, and it can help you avoid being distracted by adverse environmental elements. In case of an accident, good quality protective gear made of sturdy material may prevent or reduce injury.

When riding in a cool weather, protect yourself against hypothermia which is a state of low body temperature and can cause loss of concentration, slowed reactions and loss of smooth, precise muscle movement. In cool conditions, proper protective gear like a windproof jacket and insulated layers of clothing are essential. Even while riding at moderate temperatures, you can feel very cold due to the wind.

Protective gear that is appropriate for cold-weather riding may be too hot when the vehicle is stopped. Dress in layers so that clothing can be removed as desired. Topping the protective gear with a windproof outer layer can prevent cold air from reaching the skin.

OPERATOR SAFETY

Boots

Always wear closed-toe, over-the-ankle boots. Sturdy over-the-ankle boots with non-slip soles offer more protection, and allow you to put your foot properly on the foot pegs. Avoid long shoelaces that could get entangled in the vehicle components. In winter, rubber-soled boots with either nylon or leather uppers and removable felt liners are best suited. Avoid rubber boots which may get trapped behind or in the foot brake pedal, impairing proper operation.

Other Riding Gear

Rain Gear

When riding in rainy weather, a rain suit or a waterproof riding suit is recommended. On long rides, it is a good idea to carry rain gear. Keeping clothes dry is beneficial for keeping operators being much more comfortable and alert.

Hearing Protection

Long-term exposure to wind and engine noise when riding can cause permanent hearing loss. Properly worn hearing protective gear such as earplugs can help prevent hearing loss. Check local laws before using any hearing protective gear.

OPERATOR SAFETY

AVOID DANGEROUS RIDING BEHAVIORS

The following behaviors may cause serious consequences, so instructions must be followed to avoid dangerous behaviors.

Operation Errors

⚠WARNING: Operation errors may cause serious damage to the operator, passenger and people around.

Read every instruction in this manual and be familiar with every function of this vehicle. Must participate in the safety training and know how to operate the vehicle properly in different situations and on different types of terrain.

Age Limit

⚠WARNING: It is restricted to allow underage people to ride the vehicle and people under 12 to be passengers.

Severe injury and/or death could occur if a child under the minimum age limit operates this vehicle. Even though a child may be within the recommended age group for operating, he/she may not have the skills, abilities, or judgment needed to operate safely and could be susceptible to accidents or injuries. The vehicle can only be operated by people of legal age with safe driving skills and the required license.

Illegal Carrying

⚠WARNING: It is restricted to carry more passengers than allowed.

Carrying more passengers than allowed is illegal and will much affect the vehicle's riding performance and may cause serious accidents.

OPERATOR SAFETY

Riding on Unpaved Roads

⚠️WARNING: The vehicle must not ride on unpaved roads.

The tires of this vehicle are designed to drive on paved roads, not suitable for use on unpaved roads such as sand, mud, puddles and dirt roads. Driving on unpaved roads will seriously affect vehicle handling, which will greatly increase the incidence of accidents. If it is impossible to avoid short periods of driving on unpaved roads, reduce your speed and ensure that you do not make sharp turns, sudden braking, etc.

Safe Riding Gear

⚠️WARNING: Riders must wear an approved helmet, goggles and protective clothing when riding.

Unapproved helmets increase the risk of head injury and death in the event of an accident. Failure to use goggles increases the risk of eye injury and death in the event of an accident. Always wear a whole set of gear to reduce accidents and increase your own protection.

Drinking and Medication

⚠️WARNING: Do not operate a vehicle under the influence of alcohol, medication or drugs.

Drinking, taking medication and taking drugs will seriously affect drivers' judgment and reaction ability, as well as their perception and balance, which will greatly increase the incidence of accidents. Do not operate vehicles after drinking, taking medication or taking drugs.

Speeding

⚠️WARNING: No speeding.

Speeding increases the risk of losing control of the vehicle, leading to accidents. Choose your driving speed based on vehicle load, terrain, visibility, driving conditions, and never exceed the maximum speed.

OPERATOR SAFETY

Stunts

⚠️WARNING: Do not try stunts.

All stunts are dangerous, including but not limited to slippery tires, jumping, side-slip, front wheel upturn, etc. Stunt or demonstration riding can result in serious accidents. Always use normal driving methods.

Inspections and Maintenance

⚠️WARNING: Check vehicle's conditions before riding and service the vehicle regularly.

Checking vehicle's conditions before driving can reduce the probability of accidents. Maintain the vehicle regularly to ensure the equipment is in good condition. Please follow the instructions for inspection and before driving and regular maintenance.

Lift Hands and Feet From the Vehicle

⚠️WARNING: Do not lift your hands off the handlebars or your feet off the pedals when riding.

Even leaving with only one hand or foot can reduce your ability to control the vehicle or cause you to lose your balance and fall off from the vehicle. If the driver's feet are not firmly put on the pedal, they may be unable to operate the brake or accelerator in time or may be influenced by external environmental factors, resulting in an accident.

Tire Size

⚠️WARNING: Do not use tires with wrong gauge, wrong tire pressure or uneven tire pressure.

Wrong tires may cause accidents. It is forbidden to use wrong tires. Check the tire pressure regularly to ensure that the tires are always within the normal pressure range.

OPERATOR SAFETY

Modifications

⚠️WARNING: Any non-standard modifications are prohibited.

Any modifications will affect vehicle handling, which can lead to accidents. It is prohibited to mount any equipment which would increase the speed or power of the vehicle, or to make any other modifications to the vehicle for these purposes. All equipment and accessories added to the vehicle must be original or designed for use on the vehicle.

Keys

⚠️WARNING: Do not leave keys on the vehicle. Lock the stem lock before leaving the vehicle.

Keys left on the vehicle may result in unauthorized use of the vehicle, causing an accident or property damage, so please take away the key when the vehicle is not in use.

Dangerous Transportation

⚠️WARNING: Do not transport flammable, explosive or other dangerous goods.

Transportation of dangerous goods may cause serious injuries or accidents.

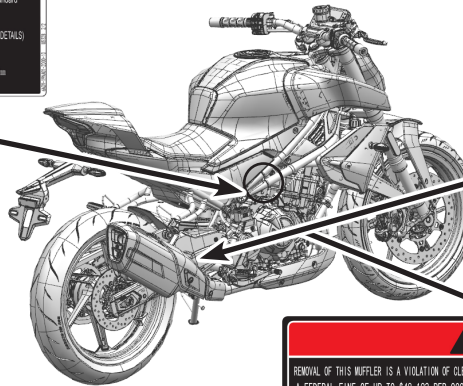
SAFETY DECALS AND LOCATIONS

Read and understand all of the safety and information labels on your vehicle for safe and proper operation. Never remove any labels from your vehicle. If a label becomes difficult to read or falls off, a replacement is available from your CFMOTO dealer.

VEHICLE EMISSION CONTROL INFORMATION 

MFG BY ZHEJIANG CFMOTO POWER CO., LTD.
 IMPORTED BY CFMOTO POWERSPORTS INC.
 COUNTRY OF ORIGIN P.R. CHINA
 ENGINE FAMILY: R16M1C4B4M10
 EXHAUST EMISSION CONTROL SYSTEM: TWC, SF1, HO2S
 PERMEATION FAMILY: R16M1P4M1T
 DISPLACEMENT: 449.5cc

This Vehicle Conforms to U.S. EPA Regulations Applicable to 2024 Model Year New Motorcycles and is certified to an HC+NOx emission standard of 0.8 grams/kilowatt-hour.
 Evaporative Family Name: R16M1J0011EM4
 ENGINE TUNE UP SPECIFICATIONS (SEE OWNER'S MANUAL FOR MORE DETAILS)
 IDLE SPEED: 1480±140 RPM AT NORMAL OPERATING TEMPERATURE
 FUEL: GASOLINE 91 OR HIGHER LUBRICANT: SAE 10W/40 (JASO)
 SPARK PLUG TYPE: B9E9T SPARK PLUG GAP: 1.1mm-1.3mm
 EMISSION STANDARDS: HC+NOx: 0.8 g/kwh CO: 12.3 g/kwh



Motorcycle Noise Emission Control Information

This 2024 CFMM100449 motorcycle, 6A00, meets EPA noise emission requirements of 80 dBA at 6939 rpm by the Federal test procedure. Modifications which cause this motorcycle to exceed Federal noise standards are prohibited by Federal law. See owner's manual.

WARNING

REMOVAL OF THIS MUFFLER IS A VIOLATION OF CLEAN AIR ACT §203 AND CONSIDERED TAMPERING. VIOLATORS ARE SUBJECT TO A FEDERAL FINE OF UP TO \$48,192 PER OCCURRENCE.

SELLING AND USING AFTERMARKET DEFEAT DEVICE WHICH ALTER NUMEROUS EMISSIONS-RELATED ELEMENTS OF DESIGN IS A VIOLATION OF CLEAN AIR ACT §203. VIOLATORS ARE SUBJECT TO A FEDERAL FINE OF UP TO \$4819 FOR EACH AFTERMARKET DEFEAT DEVICE.

SAFETY DECALS AND LOCATIONS

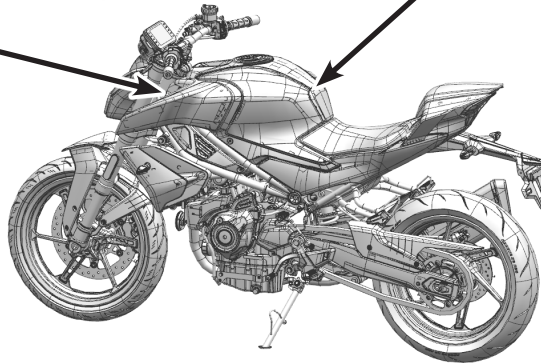
MANUFACTURED BY: ZHEJIANG CFMOTO POWER CO., LTD.			
DATE OF MFG	MM/YY	GVWR	350kg(772Lbs)
	GAWR	TIRE-DIMENSION	RIM COLD
FRONT	123kg(271Lbs)	110/70 R17 M/C (54H)	MT3.0×17 225kPa(32.6PSI)
REAR	227kg(501Lbs)	150/60 R17 M/C (66H)	MT4.0×17 245kPa(35.5PSI)
THIS VEHICLE CONFORMS TO ALL APPLICABLE FEDERAL MOTOR VEHICLE SAFETY STANDARDS IN EFFECT ON THE DATE OF MANUFACTURE SHOWN ABOVE.			
VIN: _____		TYPE OF VEHICLE: MOTORCYCLE	

WARNING

- BEFORE YOU OPERATE THIS VEHICLE, READ THE OWNER'S MANUAL AND ALL LABELS.
- ALWAYS WEAR AN APPROVED MOTORCYCLE HELMET, EYE PROTECTION, AND PROTECTIVE CLOTHING.
- DO NOT TOUCH OVERHEATED, ROTATING PARTS SUCH AS EXHAUST PIPE, ENGINE, WHEEL AND ECT.
- PLEASE SLOW DOWN ON POOR VISIBILITY AND SLIPPERY ROAD.

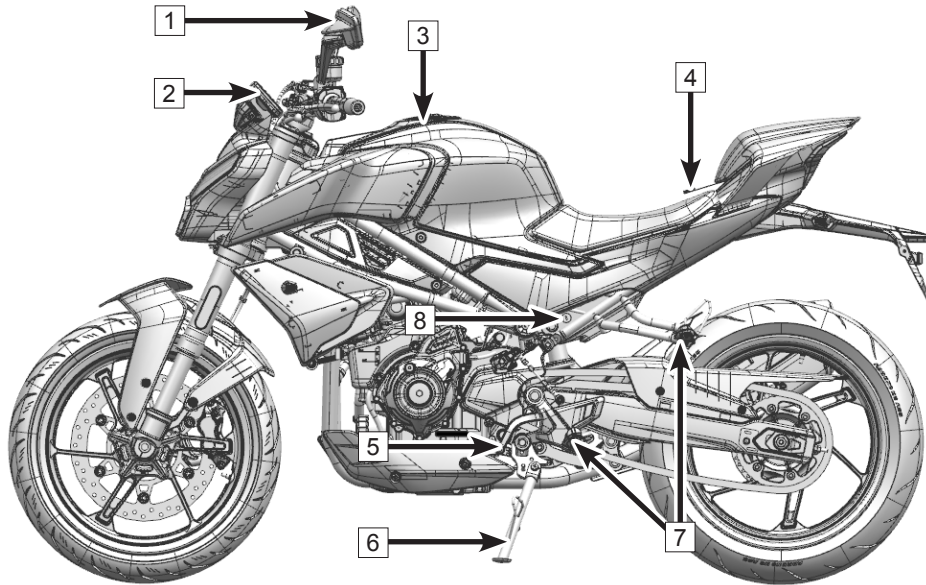
PREMIUM UNLEADED GASOLINE 87 OR HIGHER

6F11-190002-6000



VEHICLE VIEW

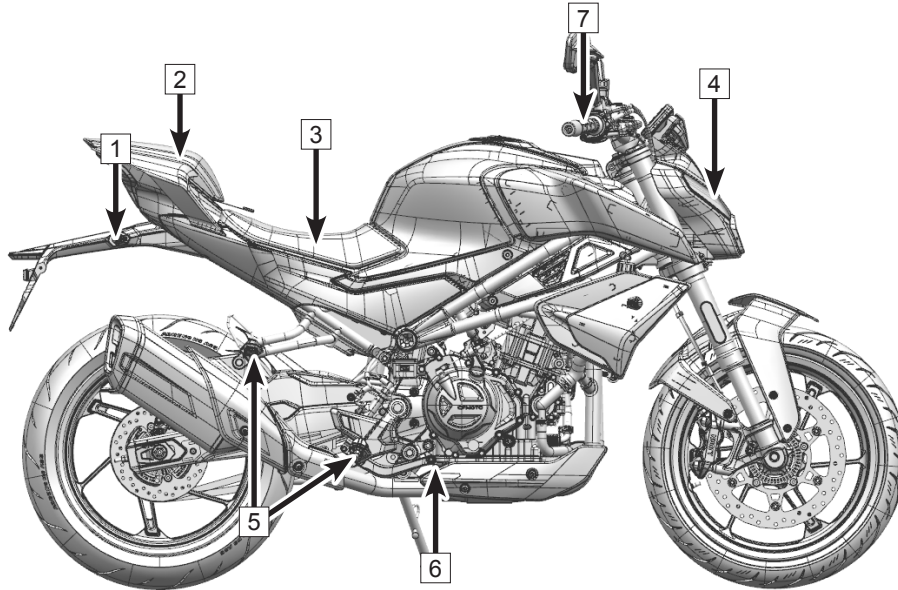
Left View



- 1: Rearview Mirror
- 2: Instrument
- 3: Fuel Tank Lock
- 4: Passenger Handhold
- 5: Gear Shift Lever
- 6: Side Stand
- 7: Footrest Kit
- 8: Seat Lock

VEHICLE VIEW

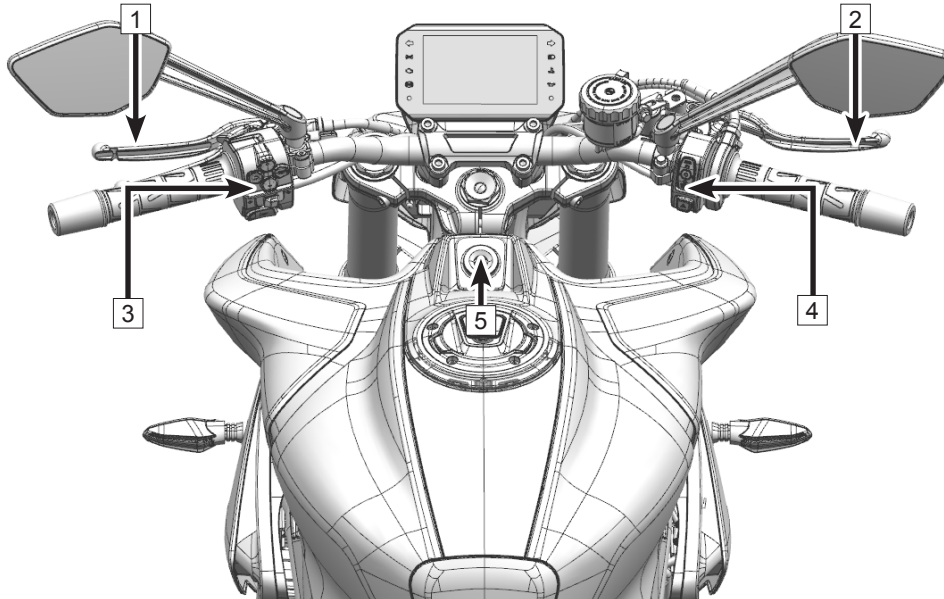
Right View



- 1: Rear Turning Lighting
- 2: Passenger Cushion
- 3: Driver Cushion
- 4: Front Lighting
- 5: Footrest Kit
- 6: Rear Brake Pedal
- 7: Throttle Grip

VEHICLE VIEW

Top View



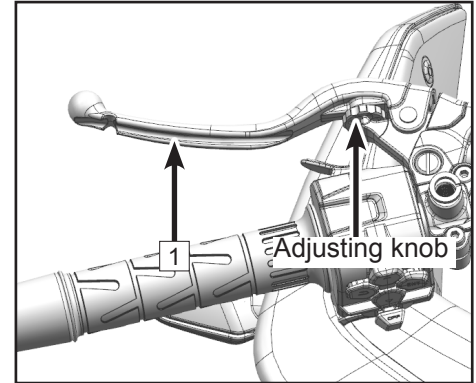
- 1: Clutch Lever
- 2: Front Hand Brake Lever
- 3: Handlebar Switch, LH
- 4: Handlebar Switch, RH
- 5: Ignition Switch

CONTROLS & FEATURES OPERATING PARTS

Clutch Lever

Clutch lever **1** is on the left side of handlebar. The clutch is a cable clutch.

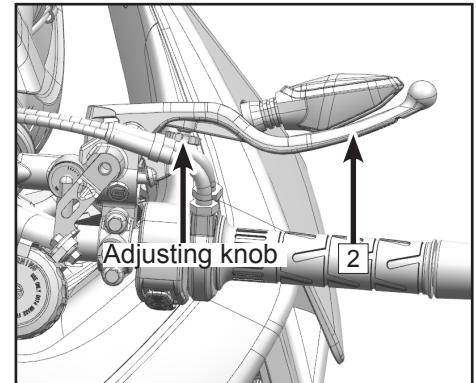
Adjust the clutch lever's distance to the handlebar by turning the clutch lever adjusting knob.



Front Hand Brake Lever

Front hand brake lever **2** is on the right side of handlebar. Front brake caliper activates braking by using the front hand brake lever.

Adjust the brake lever's distance to the handlebar by turning the brake lever adjusting knob.









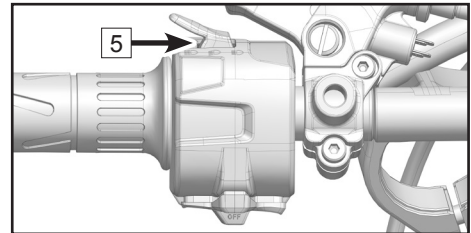
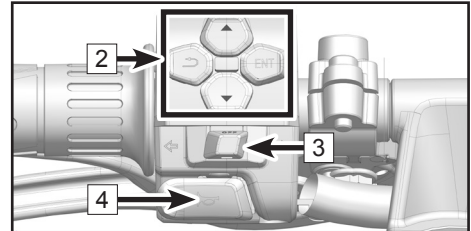
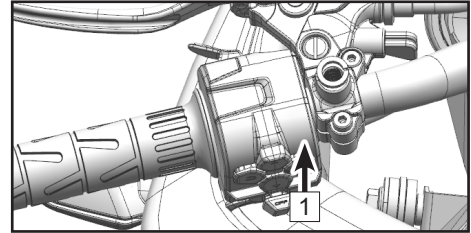
CONTROLS & FEATURES

Handlebar Switch, LH

Left handlebar switch **1** is on the left side of the handlebar.

Functions of Left Handlebar Switch

2	Instrument button		Instrument operations are detailed in the instrument section of the manual.
3	Turn light switch		Pushing this switch to the right activates the right turn light.
			Pushing this switch to the left activates the left turn light.
4	Horn button		Press and the horn will sound.
5	Dimmer push switch		Press this button and headlight will flash.
			Turn to this position to activate high beam lights.
			Turn to this position to activate low beam lights.







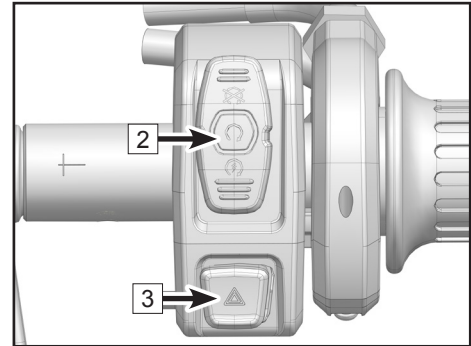
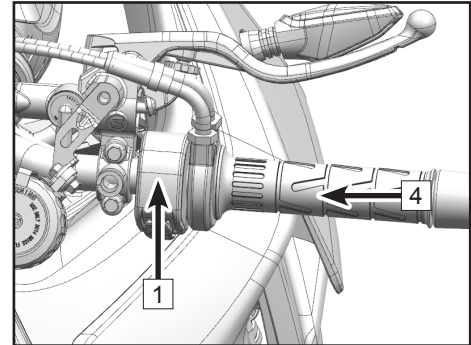
CONTROLS & FEATURES

Handlebar Switch, RH

Right handlebar switch **1** is on the right side of the handlebar.

Functions of Right Handlebar Switch

2	Start and stop switches		Turn to this position to shut off the vehicle.
			Turn to this position to prepare the vehicle for starting.
			Turn to this position to start the vehicle.
3	Hazard flasher switch		Press to turn on the hazard flasher light.






Throttle Grip

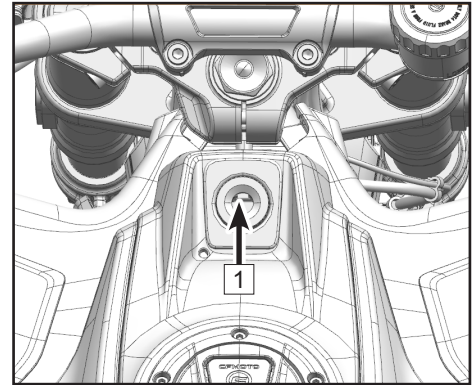
Throttle grip **4** is on the right side of handlebar.

CONTROLS & FEATURES

Locks

Ignition switch **1**

Handlebar lock		Turn the handlebar to the left, and then turn the key to the lock indicator to lock the handlebar.
Stop		Turn the key to this position to stop the engine and disconnect the vehicle's power circuits.
Start		Turn the key to this position to start the engine and connect the vehicle's power circuits.



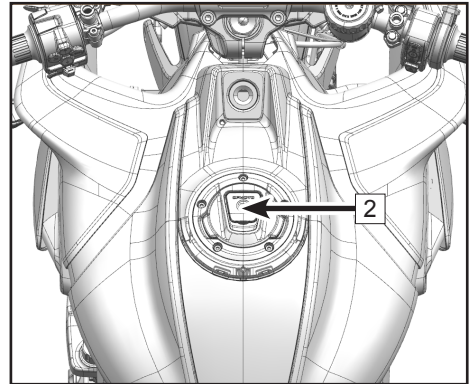
Fuel Tank Lock **2**

Before opening the fuel tank lock: The vehicle must be stopped and the engine must be turned off.

Open the fuel tank lock cover.

Insert and turn the key to release the lock.

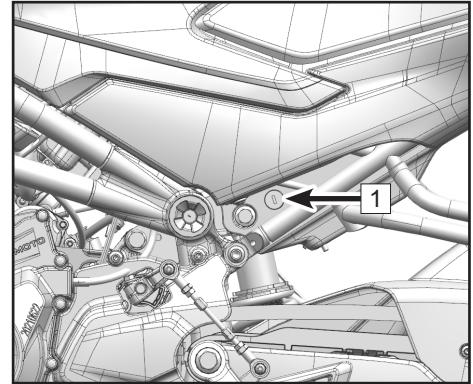
Open the fuel tank cap.



CONTROLS & FEATURES

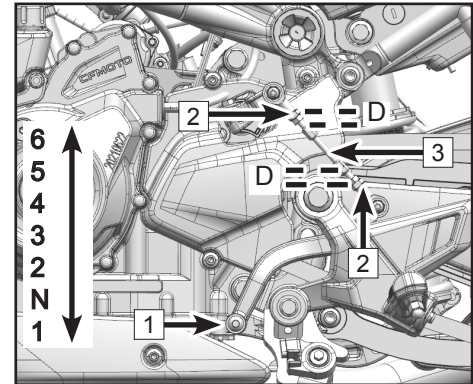
Seat Lock

The seat lock **1** is on the left side of the vehicle.
The seat can be removed by inserting the key and turning to release the lock.



Gear Shift Lever

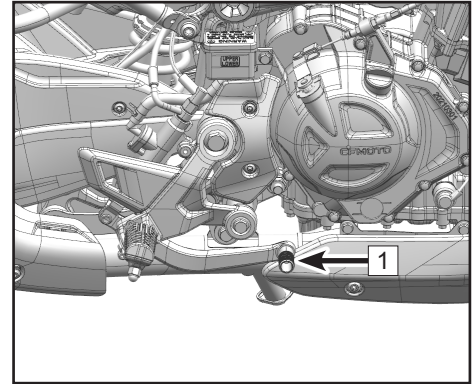
The gear shift lever **1** is on the left side of the engine.
Both ends of the middle connecting rod are adjustable, and the adjusting range (D) is 0.16 ~ 0.39 in (4 ~ 10 mm).
Loosen the locking nuts at both ends **2**.
Rotate the middle connecting rod **3** to adjust the height of the shift lever.
Relock the nuts.
Torque: 4.4 ft-lb (6N•m)



CONTROLS & FEATURES

Rear Brake Lever

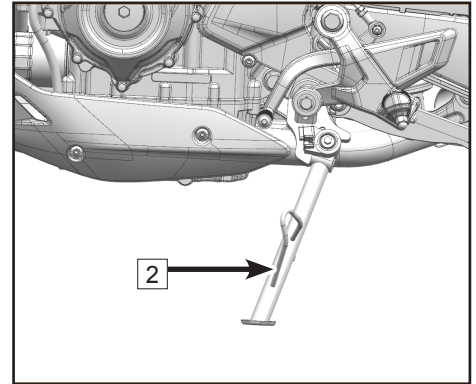
The rear brake lever **1** is on the right side of the engine. Step on the rear brake lever to slow or stop the vehicle.



Side Stand

The side stand **2** is on the left side of the vehicle, and is used for parking.

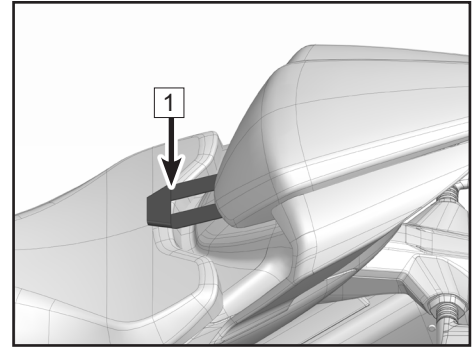
When the side stand is lowered, the vehicle can only be started with the transmission in neutral.



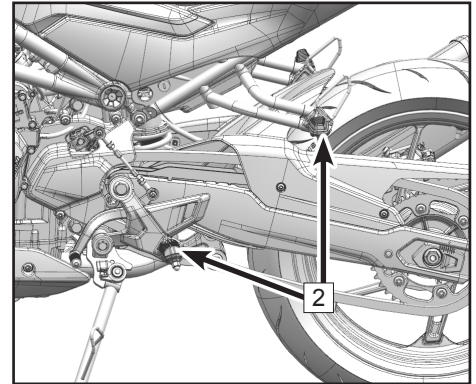
CONTROLS & FEATURES

Passenger Handhold and Footrests

A passenger handhold **1** is mounted on the motorcycle and can be held by a passenger.



Footrests **2** are mounted on the motorcycle for the operator and a passenger.



CONTROLS & FEATURES INSTRUMENT

NOTE

Due to function, adjustment, and version updates of the instrument and renewed vehicle configurations by market, some contents of the instrument may change. Please selectively refer to this section according to the actual vehicle.

Instrument

The instrument is mounted at the front side of the handlebar and divided into two function areas:

- 1: Instrument Indicators
- 2: Instrument Display

Activation and Testing

Activation

The instrument is activated synchronously when the motorcycle is powered on.

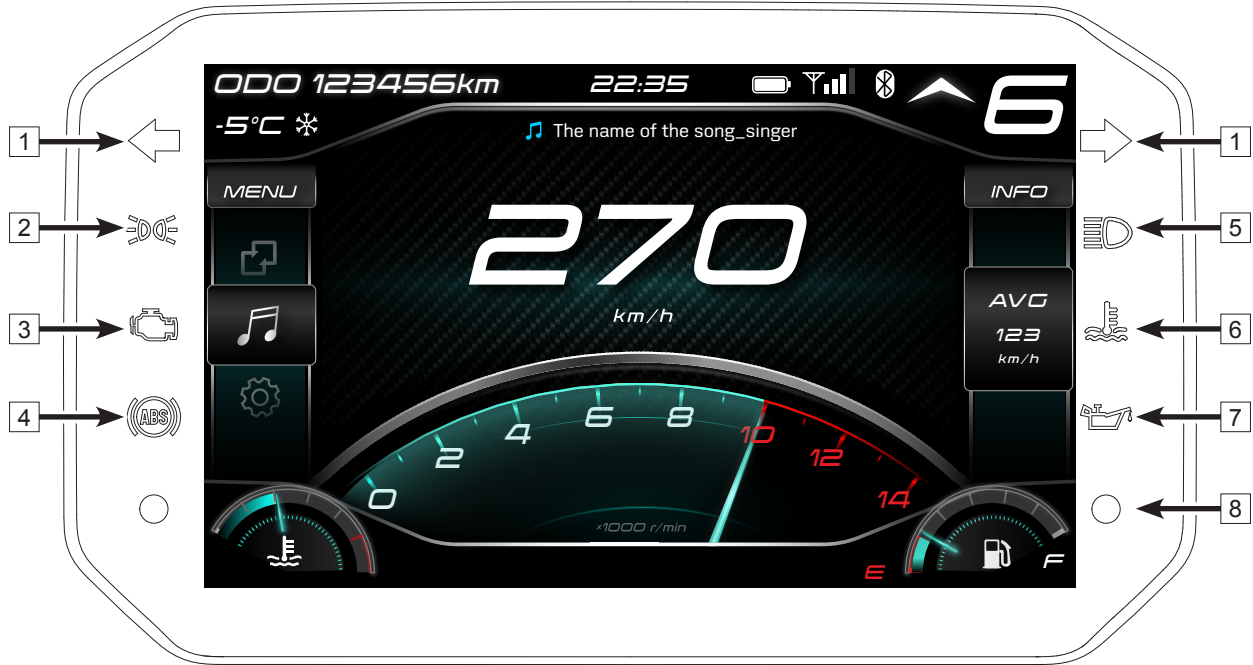
Testing

Upon activation, the instrument goes into self-inspection mode, in which a start-up animation displays and indicator lights are turned on. At this time, the selection button will not respond until the self-inspection has completed.








CONTROLS & FEATURES




Instrument Indicators



CONTROLS & FEATURES

Number	Symbol	State	
1		Flash	When turning signal indicators are flashing, the corresponding turning lights are on.
2		On	When the position light indicator is on, the position light is turned on.
3		On	When the vehicle is powered on and the engine is off, the fault indicator is on. If the engine is not off but the fault indicator is also on, then this means that the vehicle detects a fault in its circuit and the fault will be shown in the Instrument Indicators area. When this fault indicator is on, please park the vehicle in line with local laws and regulations, and contact an authorized CFMOTO service center.
4		On	If ABS system works normally, it will be on when the vehicle is in parking state or low-speed riding, which is a normal phenomenon. If there is any ABS fault, ABS indicator will be on, and at this time, the ABS system will stop working, but general braking functions may still play their roles. Please reduce the speed and avoid sudden braking and timely contact an authorized CFMOTO service center.
5		On	When the high beam indicator is on, the high beam light is turned on.

CONTROLS & FEATURES

6		On	When the coolant temperature is higher than 115°C, the Coolant temperature warning indicator will be turned on. Please park the vehicle according to local laws and regulations to wait for the temperature drop. And if this indicator is turned on frequently, contact an authorized CFMOTO service center.
7		On	When oil pressure indicator is on, the oil level is very low, so please replenish or replace the oil in time to avoid any engine fault.
8			When the Brightness Control indicator is enabled, the instrument automatically adjusts its brightness of according to the external environment light.

CONTROLS & FEATURES

Instrument Display

Optional Info 1

You can select a message from the menu to be displayed here or on the main interface. Press ▲ to choose Optional Info 1. Optional Info 1: TRIP 1, TRIP 2, ODO.

Ambient Temperature

The current external temperature is displayed here.

Celsius °C and Fahrenheit °F can be switched through the menu.

An icing warning will appear when the ambient temperature is below -5°C for a long time, and it means that risks of slippery roads will increase.



CONTROLS & FEATURES

Coolant Temperature

Coolant temperature is displayed with bars. More bars light up as the coolant temperature rises. When the last bar turns red, the coolant has reached a dangerous temperature exceeding 115°F .

⚠WARNING

Extreme temperatures may damage the engine.

If the coolant reaches the dangerous temperature, please park the vehicle in line with local laws and regulations, and wait for the coolant temperature to drop.

Please replenish coolant to its proper level after the cooling system has totally cooled.

Under normal riding conditions, if the coolant reaches the dangerous temperature, please timely contact an authorized CFMOTO service center.

Menu

Press ENT to enter the menu, and please refer to the Instrument Menu section.



CONTROLS & FEATURES



Gear Change Reminder

You can enable the Gear Change Reminder in the menu. It will remind you to change gear when the engine speed reaches the recommended gear-shifting range.

Remaining Fuel

Remaining fuel is displayed with bars. Fewer bars light up as the fuel level decreases. When the fuel symbol turns yellow, remaining fuel is low.

When remaining fuel is low, please replenish the fuel as soon as possible. Insufficient fuel may cause damage to the fuel pump.

CONTROLS & FEATURES

Gear Display

Current gear is displayed here.
The neutral gear is green.



Optional Info 2

You can select a message from the menu to be displayed here or on the main interface. Press ▼ to choose Optional Info 2.
Optional Info 2: Mileage, Voltage, Instant Fuel Economy, Riding time 1, Riding time 2, Total Riding Time, Average fuel consumption 1, Average fuel consumption 2, Total average fuel consumption, Average riding speed 1, Average riding speed 2, Total riding speed.

CONTROLS & FEATURES

Speed

Current speed is displayed here.

Metric km/h and imperial mph can be switched through the menu.

Clock

Current time is displayed here.

Set the current time through the menu.

Switch between a 12-hour and 24-hour clock through the menu.

Caller Identification

When the instrument is connected to the phone through Bluetooth and receives a call, the incoming call will be displayed in this area. Press the ENT button on the left handlebar to pick up the phone, and press the button on the left handlebar to hang up the phone.

Bluetooth

Bluetooth is used to connect mobile phones and helmets. When your mobile phone is connected to the motorcycle's instrument through Bluetooth, the area will display the Bluetooth logo, the signal strength and the remaining power of the mobile phone.

Functions of navigation, music and calling can only be used when the phone is properly connected to the motorcycle.



CONTROLS & FEATURES



Side Stand Indicator

When the side stand is used, its indicator light is on. At this time, the motorcycle cannot be started in gear.

Stop Indicator Light

When the stop indicator light is on, the stop switch is turned off and the vehicle is off.

Engine RPM

Unit of engine speed is 1000 revolutions per minute.

During the break-in period, avoid high engine RPMs. Avoid engine speeds approaching the red zone at all times as much as possible, which will increase engine life. Also avoid high engine speeds until the engine has heated up.

TC Indicator

TC working indicator (TC) will flash when it is working. TC default indicator (TC)! will flash when a default occurs.

TC off indicator (TC) will flash when the TC indicator is off.

CONTROLS & FEATURES

Instrument Menu

Adjust instrument settings through the instrument menu to optimize the riding experience.

Press menu button on the left handlebar switch to enter the instrument menu.

WARNING

The menu mode is only allowed when the motorcycle is parked and safe.

The menu button is on the left handlebar switch and is used to operate relevant functions of the instrument.



CONTROLS & FEATURES

For Main interface: press it to switch Optional Info 1 and long press it to reset trips.

For the first-level menu, second-level and lower menu: press it to select the prior choice.

For Music: at the main interface, press it to increase the volume and long press it to select the prior song. On the Menu interface, press it to increase the volume and long press it to select the prior song.

When on the phone: press it to increase the volume.

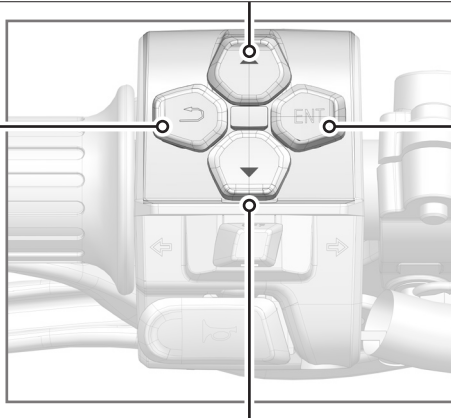
For Main Menu: press it to clean the popup window.

For the first-level menu, second-level and lower menu: Press it to return to the prior menu.

For Calling: press it to hang up the phone.

For projection screen: press it to return to the projection screen interface.

For Music: press it to return to the main interface.



For Main interface: press it to enter the first-level menu, long press it to play the song. (When the Bluetooth is connected).

For the first-level menu, second-level and lower menu: press it to enter the next menu or to confirm the choice.

For Calling: press it to answer the call.

For Music: at the main interface, press it to enter the prior menu, and long press it to pause or play.

For music: On the Menu interface, press it to pause or play .

For Main interface: press it to select Optional Info 2.

For the first-level menu, second-level and lower menu: press it to enter the next menu.

When on the phone: press it to decrease the volume.

For Music: at the main interface, press it to decrease the volume, and long press it to select the next song. For music: On the Menu interface, press it to decrease the volume, and long press it to select the next song.

Note: The priority of buttons is calling, music and then others.

CONTROLS & FEATURES

Instrument Settings

In the instrument settings, riders can adjust and set the following contents:

Subject Style

Units

Equipment Connection

Optional Info

Brightness Control

TRIP Reset

Overspeed Alarm

Traction Control System

Time Settings

Gear Change Reminder

Language

Reset All



CONTROLS & FEATURES

Subject Style

The main interface of the instrument is equipped with multiple sets of subject styles, and you can choose your favorite one in the menu.

Press ENT to enter the Menu interface.

Press Δ or ∇ to select Settings, and press ENT to enter the Settings interface.

Press Δ or ∇ to select Subject Style, and press ENT to enter.

Press Δ or ∇ to select your favorite style, and press ENT to confirm your selection.



CONTROLS & FEATURES

Units

Change units of speed, time and temperature to suit your preference.

Press ENT to enter the Menu interface.

Press Δ or ∇ to select Settings, and press ENT to enter Settings interface.

Press Δ or ∇ to select **Units**, and press ENT to enter.

Press Δ or ∇ to select the unit you need to switch (**Speed/Time Format /Temperature**), and press ENT to enter.

Press Δ or ∇ to select the unit, and press ENT to confirm your selection.

km/h mph

24-hour 12-hour

°C °F



CONTROLS & FEATURES

Connection

Navigation, telephone calls and music functions can be used after the helmet is connected to the instrument via Bluetooth.

Press ENT to enter the Menu interface.

Press \triangle or ∇ to select Settings, and press ENT to enter the Settings interface.

Follow these steps to connect your phone Bluetooth:

Press \triangle or ∇ to select **Connection**, and press ENT to enter.

Press \triangle or ∇ to select **Mobile Device**, and press ENT to enter.

Ensure that the Bluetooth of the mobile phone to be connected is turned on.

Press \triangle or ∇ to select your phone, and press ENT to connect.

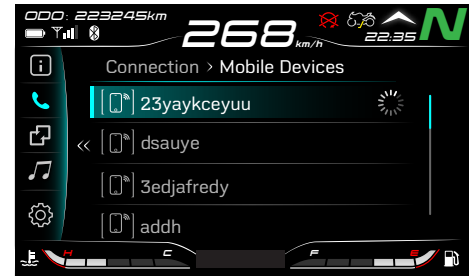
If the mobile phone was connected, press \triangle or ∇ to select the **Mobile Device**, press ENT to enter the interface, and choose the correct Bluetooth ID to connect.

Follow these steps to connect the helmet Bluetooth:

Press \triangle or ∇ to select Equipment Connection, and press ENT to enter.

Press \triangle or ∇ to select **Helmet 1** or **Helmet 2**, and press ENT to connect.

Ensure that the Bluetooth of the helmet to be connected is turned on.



CONTROLS & FEATURES

Optional Info

You can select one message from Optional Info 1 and Optional Info 2 to display on the main interface.

Press ENT to enter the Menu interface.

Press Δ or ∇ to select Settings, and press ENT to enter the Settings interface.

Press Δ or ∇ to select Optional Info, and press ENT to enter.

Press Δ or ∇ to select Optional Info 1 or Optional Info 2, and press ENT to enter.

Press Δ or ∇ to select the information you want to display on the main interface, and press ENT to confirm your selection.

Optional Info 1: TRIP 1, TRIP 2, ODO.

Optional Info 2: Mileage, Voltage, Instant Fuel Economy, Riding Time 1, Riding Time 2, Total Riding Time, Average Fuel Consumption 1, Average Fuel Consumption 2, Total Average Fuel Consumption, Average Riding Time 1, Average Riding Time 2, Total Average Riding Time.



CONTROLS & FEATURES

Brightness Control

You can manually adjust the brightness of the instrument, or the instrument automatically adjusts its brightness according to the ambient light.

Press ENT to enter the Menu interface.

Press Δ or ∇ to select Settings, and press ENT to enter Settings interface.

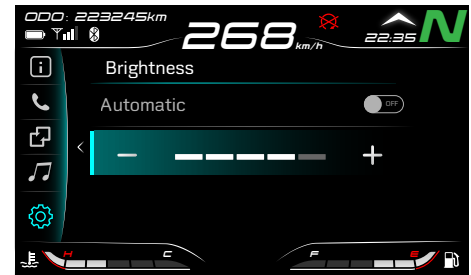
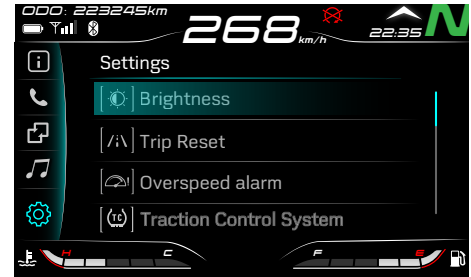
Press Δ or ∇ to select **Brightness**, and press ENT to enter.

Press ENT to turn on or turn off automatic brightness adjustment.

After turning off the automatic brightness adjustment, the brightness can be adjusted manually.

Press Δ or ∇ to adjust the brightness.

Press \curvearrowright to return to the previous interface.



CONTROLS & FEATURES

TRIP Reset

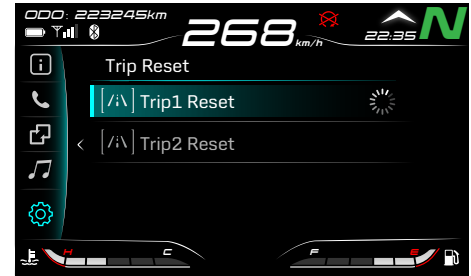
You can manually reset and clear trip-related data.

Press ENT to enter the Menu interface.

Press Δ or ∇ to select Settings, and press ENT to enter the Settings interface.

Press Δ or ∇ to select TRIP Reset, and press ENT to enter.

Press Δ or ∇ to reset **TRIP 1** or **TRIP 2**, and press ENT to reset.



CONTROLS & FEATURES

Overspeed Alarm

Overspeed Alarm alerts you to speeding when the indicator shows that your vehicle's actual speed exceeds the one you set. Riders should not exceed the speed limit of a road at any time.

⚠ DANGER

Speeding increases the risk of losing control of the vehicle, thus leading to accidents. Choose your riding speed based on vehicle load, terrain, visibility, riding conditions, and local laws and regulations, and never exceed the maximum speed.

Press ENT to enter the Menu interface.

Press Δ or ∇ to select Settings, and press ENT to enter the Settings interface.

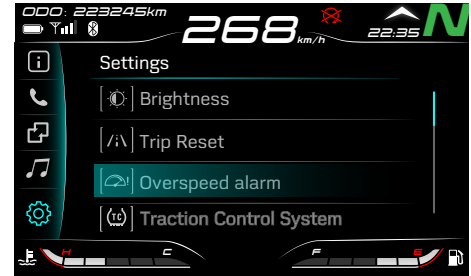
Press Δ or ∇ to select **Overspeed Alarm**, and press ENT to enter.

Press ENT to turn on or turn off the alarm function.

The alarmed speed can be set after turning on the **Overspeed Alarm**.

Press Δ or ∇ to adjust the alarmed speed (1km/h per gear).

Press \curvearrowright to return to the previous interface.



CONTROLS & FEATURES

Traction Control System

Traction Control System helps the vehicle get the best traction possible for the riding conditions.

Press ENT to enter the Menu interface.

Press Δ or ∇ to select Settings, and press ENT to enter the Settings interface.

Press Δ or ∇ to select Traction Control System, and press ENT to enter.

Press ENT to turn on or turn off the function.

When enabled, the Traction Control System can limit rear wheel power and reduce the risk of sideslips.

Under certain circumstances (mud, sand, snow or similar conditions), the Traction Control System should be temporarily disabled to restore power to the rear wheel. When conditions improve, the Traction Control System should be enabled again.



CONTROLS & FEATURES

Time Settings

You can adjust the time displayed on the main interface.

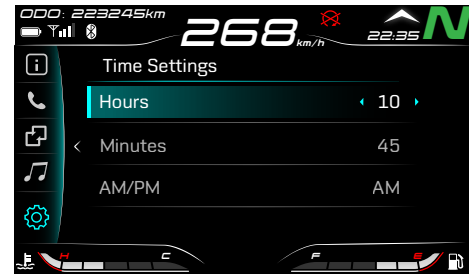
Press ENT to enter the Menu interface.

Long press Δ or ∇ to select Settings, and press ENT to enter the Settings interface.

Press Δ or ∇ to select **Time Settings** and press ENT to enter.

Press Δ or ∇ to select **Hours or Minutes and AM/PM** (when the 12-hour clock is set), and press ENT to enter.

Press Δ or ∇ to adjust the time and time period, and press ENT to confirm your selection.



CONTROLS & FEATURES

Gear Change Reminder

Shifting at the right RPM can effectively reduce shifting pauses, protect the clutch and so on. Setting the appropriate Gear Change Reminder also can familiarize you with the vehicle.

The recommended upshifting speed is 6500 RPM.

Press ENT to enter the Menu interface.

Press Δ or ∇ to select Settings, and press ENT to enter Settings interface.

Press Δ or ∇ to select the **Gear Change Reminder**, and press ENT to enter.

Press ENT to turn on or turn off the Gear Change Reminder.

Reminded speed can be set after turning on Gear Change Reminder.

Press Δ or ∇ to adjust the upshifting RPM (100 RPM for each gear).

Press \curvearrowright to return to the previous interface.



CONTROLS & FEATURES

Language

You can adjust the instrument's language to suit your preference.

Press ENT to enter the Menu interface.

Press Δ or ∇ to select Settings, and press ENT to enter the Settings interface.

Press Δ or ∇ to select **Language**, and press ENT to enter.

Press Δ or ∇ to select **Chinese**, **English** or **Espanol**, and press ENT to confirm.



CONTROLS & FEATURES

Reset All

You can reset all instrument settings.

NOTE: This function does not reset ODO or related functions.

Press ENT to enter the Menu interface.

Press \triangle or ∇ key to select Settings, and press ENT to enter Settings interface.

Press \triangle or ∇ to **reset settings to their factory state**, and press ENT to enter.

Press \triangle or ∇ to select **no/yes**, and press ENT to confirm your selection.



CONTROLS & FEATURES

Vehicle Information

In the Vehicle Information menu, users can inspect the following contents.

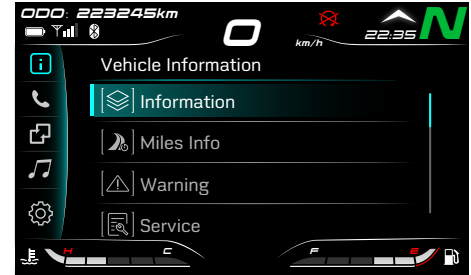
Information

Miles Info

Warning

Service

Version



CONTROLS & FEATURES

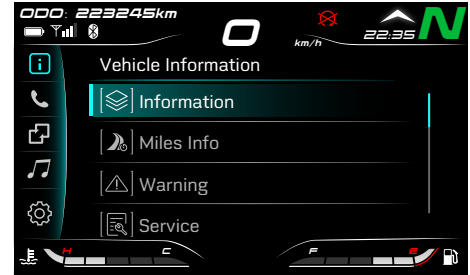
Information

On the Information interface, you can view the coolant temperature, battery voltage and distance before refueling.

Press ENT to enter the Menu interface.

Press Δ or ∇ to select the Vehicle Information, and press ENT to enter the Vehicle Information interface.

Press Δ or ∇ to select **Information**, and press ENT to enter.



CONTROLS & FEATURES

Miles Info

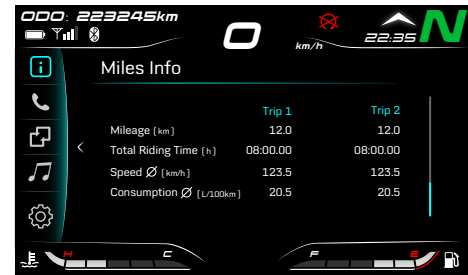
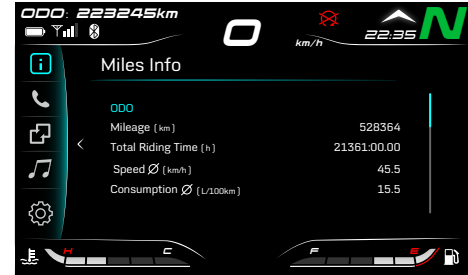
ODO, TRIP 1, TRIP 2, average speed, fuel consumption, driving time can be inspected here.

Press ENT to enter the Menu interface.

Press Δ or ∇ to select the Vehicle Information, and press ENT to enter the Vehicle Information interface.

Press Δ or ∇ to select **Miles Info**, and press ENT to enter.

Press Δ or ∇ to switch ODO-related information or **TRIP 1**- and **TRIP 2**-related information.



CONTROLS & FEATURES

Warning

On the Warning interface, you can view faults or fault warnings when the vehicle system detects a fault. When a fault occurs, please remove it as soon as possible, and contact a service center authorized by CFMOTO if necessary.

Press ENT to enter the Menu interface.

Press \triangle or ∇ to select the Vehicle Information, and press ENT to enter the Vehicle Information interface.

Press \triangle or ∇ to select **Warning**, and press ENT to enter.



CONTROLS & FEATURES

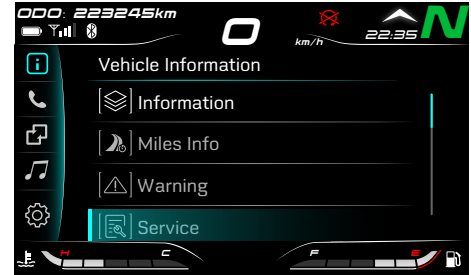
Service

On the Service interface, you can view the service information of the vehicle. When the service mileage is reached, the vehicle will remind you to carry out service.

Press ENT to enter the Menu interface.

Press Δ or ∇ to select Vehicle Information, and press ENT to enter the Vehicle Information interface.

Press Δ or ∇ to select Service, and press ENT to enter.

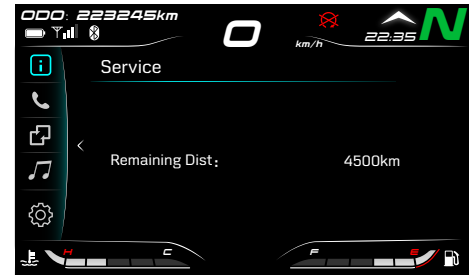


Reset Service Reminder

On the Service interface, press ENT for 10 seconds, and then a notice for confirmation will pop up.

Confirm your choice and the reset will be finished.

Or you can ask an authorized CFMOTO dealership to reset the service interval after servicing the vehicle.



CONTROLS & FEATURES

Version

Software and hardware versions of the instrument are displayed here.

Press ENT to enter the Menu interface.

Press Δ or ∇ to select Vehicle Information, and press ENT to enter the Vehicle Information interface.

Press Δ or ∇ to select **Version**, and press ENT to enter.



CONTROLS & FEATURES

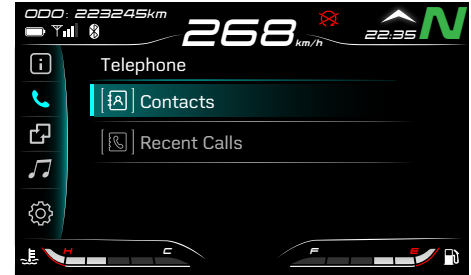
Telephone

On the Telephone interface, you can check the following contents:

Contacts

Recent Calls

NOTE: Before using the telephone, the equipment must be correctly connected, and the phone helmet should be connected to the instrument.



CONTROLS & FEATURES

Contacts

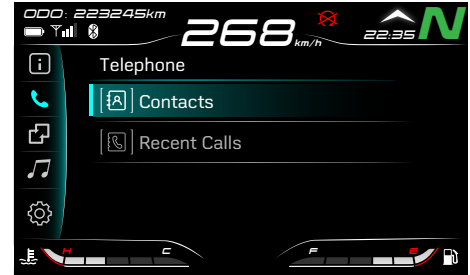
On the Contacts interface, you can view the contacts recorded by their Bluetooth-connected mobile phones and dial the numbers.

Press ENT to enter the Menu interface.

Press Δ or ∇ to select Telephone, and press ENT to enter the Telephone interface.

Press Δ or ∇ to select **Contacts**, and press ENT to enter.

Press Δ or ∇ to select the number, and press ENT to dial the number.



CONTROLS & FEATURES

Recent Calls

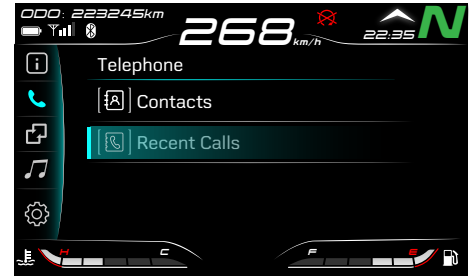
On the Recent Calls interface, you can view recent calls recorded by the Bluetooth-connected mobile phone and dial the numbers.

Press ENT to enter the Menu interface.

Press Δ or ∇ to select Telephone, and press ENT to enter the Telephone interface.

Press Δ or ∇ to select **Recent Calls**, and press ENT to enter.

Press Δ or ∇ to select the number in the latest calls, and press ENT to dial the number.



CONTROLS & FEATURES

Telephone Interconnect (If Equipped)

The Telephone Interconnect interface allows you to use the projection screen function after it is connected.

The vehicle owner has two options through the CFMOTO PLAY app to achieve this function:

1. The Easy Connection
2. Scan the QR Code

Option 1:

The vehicle owner opens the CFMOTO PLAY app and selects the Easy Connection to enter the projection interface.

Option 2:

Press ENT to enter the Menu interface.

Press Δ or ∇ to select Telephone Interconnect, and press ENT to enter.

The vehicle owner opens the CFMOTO PLAY app and selects Scan the QR Code to enter the projection interface.



CONTROLS & FEATURES

In the interconnected condition, navigation data can be projected to the Telephone Interconnect interface.

When in the projection interface, press 'return' to return to the navigation map. Without input, it will automatically return to the main interface after 30 seconds. Press 'return' again to return to the menu. Conversely, press ENT twice to return to the projection interface.

When users close the CFMOTO PLAY app or the Internet is disconnected, the interface on the instrument will return to the main interface.

CONTROLS & FEATURES

Music

On the Music interface, you can play songs on the phone through Bluetooth, and through the instrument you can switch songs, pause music, adjust volume and use other functions.

Press ENT to enter the Menu interface.

Press \triangle or ∇ to select Music, and press ENT to enter the Music interface.

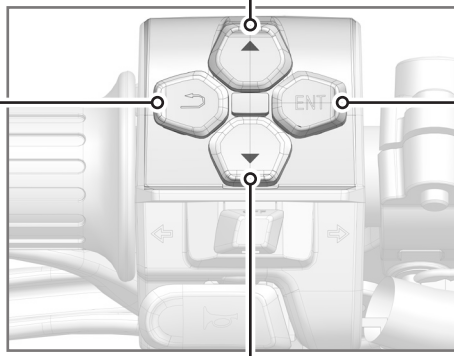
Play songs on your phone.



For Music: on the main interface, press it to increase the volume, long press it to switch the previous song.

For Music: on the menu, press it to increase the volume, long press it to switch the previous song.

For Music: on the menu, return to the main interface.



For Music: on the main interface, press it to enter the first-level Menu, and long press to pause or play.

For music: on the Menu interface, press it to pause or play.

For Music: on the main interface, press it to decrease the volume, long press it to switch the next song.

For Music: on the menu, press it to decrease the volume, long press it to switch the next song.

OPERATING YOUR VEHICLE

Break-In Period

The break-in period for this vehicle is the first 600 miles (1000 km). Maintain the vehicle according to the break-in period requirements.

The following items should be observed during the break-in period:

1. Do not run high engine speeds immediately after the engine starts. Allow the engine to warm for 2 ~ 3 minutes at idle speed and let oil flow into all engine lubricating parts.
2. Do not run the engine at high RPM when the transmission is in neutral.
3. During the break-in period, CFMOTO suggests the top engine speeds as below:

Odometer	Maximum Engine RPM
0 ~ 300 miles (0 ~ 500 km)	4000 RPM
300 ~ 600 miles (500 ~ 1000 km)	6000 RPM

DANGER

New tires can be slippery. Unsafe riders may lose control and cause damage. Tire pressures should be at the specified value during the break-in period. Avoid sudden, maximum braking/acceleration and hard cornering during the break-in period.

OPERATING YOUR VEHICLE

Daily Safety Inspection

Inspecting the following items before daily riding will help keep your vehicle safe and reliable. If anything abnormal appears, please refer to the Maintenance and Adjustment section or contact your dealer. Do not operate the vehicle in an abnormal condition, as it may lead to serious damage or accidents.

Item	Content
Engine oil	Inspect the oil level to see whether it is proper.
Rear brake fluid reservoir	Inspect the rear brake fluid level to see whether it is proper.
Rear wheel	Inspect the rear wheel and tire for excessive wear, cracks or cuts, embedded items or other damage. Inspect the rear tire pressure to see whether rear tire pressure is within the standard range.
Rear brake	Inspect the thickness of rear brake pad. Inspect thickness of rear brake disc and inspect for any dirt or damage.
Chain and Sprockets	Inspect the drive chain and sprockets for dirt and wear, and inspect their tension to see whether it is proper.
Front wheel	Inspect the front wheel and tire for excessive wear, cracks or cuts, embedded items or other damage. Inspect the front tire pressure to see whether is within the standard range.
Front brake	Inspect the thickness of front brake pad. Inspect thickness of front brake disc and inspect for any dirt or damage.
Front brake fluid reservoir	Inspect the front brake fluid level to see whether it is proper.

OPERATING YOUR VEHICLE

Luggage (if equipped)	Inspect the luggage to see whether it is fastened securely, and make sure the luggage height is in line with local regulations.
Coolant	Inspect the coolant level to see whether it is proper.
Instrument	Inspect the instrument's fault indicators and inspect the fuel to see whether the fuel is enough.
Rearview mirrors	Inspect the rearview mirrors to see whether they are in an appropriate view angle.
Lights	Inspect all the lights to see whether they all work well and whether the beam height for front lights meets the local regulations.
Operating parts	Inspect the steering, front and rear brakes, throttle and switches to see whether they can be operated smoothly.
Side stand	Inspect the return spring of the side stand for any looseness or damage.
Stop switch	Inspect the stop switch to see whether it works properly.

DANGER

Inspect the vehicle every time before riding.

The operator must have the appropriate license to ride the vehicle.

Learn the local regulations, and do not ride the vehicle in the areas where motorcycles are not allowed.

Do not start the vehicle in a closed area or an area without good ventilation. The exhaust generated during engine operation may cause people to lose consciousness or even cause deaths.

OPERATING YOUR VEHICLE

Starting

Sit on the vehicle supported with the side stand up.

Turn on the ignition switch.

Place the gear in Neutral.

Turn the stop switch to position “”.

Press the start button.

CAUTION

Running an engine at high RPMs in low temperatures will impact the lifespan of the engine. Always warm the engine at a low speed.

Do not start the vehicle with the start switch until the instrument self-inspection has completed.

The vehicle is equipped with a clutch switch. If you pull the clutch lever and shift into a forward gear with the side stand up, the vehicle can be started.

The vehicle is equipped with a side stand switch. When the transmission is in neutral and the side stand is up, the vehicle can be started.

If you shift into a gear with the side stand down, the engine will turn off.

Do not press the start switch for more than 5 seconds. Please wait for more than 15 seconds to press the start switch again, or it will cause the battery to discharge.

It is recommended that the vehicle should not idle for a long time. Idling for 30 minutes or more will cause the battery temperature to be too high, which affects battery life.

OPERATING YOUR VEHICLE

Starting Off

Grip the clutch lever, put the vehicle into gear 1, then slowly release the clutch lever while at the same time gently rotating the throttle.

Shifting, Riding

Grip the clutch lever and release the throttle.

Shift the gearshift lever upward for higher gears as required.

Release the clutch lever and slowly rotate the throttle at the same time to complete the gear shift.

Hold the handlebar at all times with both hands when driving with the throttle open.

WARNING

Avoid abrupt load alterations or strong brake operation, which can cause loss of control.

Adjust your speed according to road conditions and the situation around you.

When the engine RPM is high, do not shift into lower gears. Release the throttle first to reduce the engine speed.

All adjustments for vehicle operation should be made when vehicle is parked.

The passenger must be seated properly on the passenger seat with feet on the rear foot pedals, wearing a helmet and with other safety protection, and holding onto the operator or grabbing the handle.

Comply with local traffic regulations for minimum passenger age.

Comply with all local traffic regulations, and ride defensively and cautiously to detect danger as early as possible.

When the tires are cold, their road grip performance is reduced. Be cautious and ride at a safe speed until the tires reach operating temperature.

Do not exceed the maximum full load, which includes the motorcycle, driver, passenger and luggage.

OPERATING YOUR VEHICLE

WARNING

Luggage sliding will affect riding performance, so inspect luggage to confirm it is properly secured on the vehicle and to ensure that its width does not exceed 0.15m from the handlebar on either the left or right side. In the event of an accident, the damage from crashing could be more serious than it looks. Inspect the vehicle completely to make sure it is safe, or take the vehicle to a CFMOTO dealer for inspection.

Improper gear shifting may lead to damage of the gear box.

Operate the throttle according to the road conditions and climate. Do not shift gears or aggressively rotate the throttle during turns.

OPERATING YOUR VEHICLE

Brake

Release the throttle when applying the brake, and use front and rear wheel brakes for braking at the same time.

Finish braking before turning, and shift to a lower gear according to the speed required.

On a long downhill ride, please leverage the brake force of the engine and shift to lower gears, but do not allow the engine to operate with high RPM. When using engine's brake force, it helps to reduce the braking force required of the brake system, and the brake will not be overheated.

WARNING

Moisture and dirt will impair the brake system. Brake carefully several times to dry out moisture and remove dirt from the brake pads and discs.

If the hand brake lever and foot brake lever feel soft, stop riding until the brake system is fully inspected and the problems are eliminated.

Take your foot off the foot brake lever when you are not braking. Extended braking will cause the brake pads to overheat and excessively wear, which will affect their service life and safety.

When carrying a passenger or luggage, the required braking distance to stop will increase. Please adjust your brake time according to the vehicle load.

When ABS is enabled, you can achieve maximum braking power - even on low-grip surfaces such as sandy, wet or slippery roads - without locking the wheels.

OPERATING YOUR VEHICLE

Parking

Stop the vehicle with brake.

Shift the gear to Neutral.

Turn off the ignition switch.

Park the vehicle on a firm, level ground.

Use a side stand to support the vehicle.

Turn the handlebar left to the maximum, and lock the steering with the key.

Remove and take away the key.

WARNING

When the engine is running, do not leave the vehicle unattended.

Secure the vehicle against use by unauthorized people.

Lock the steering when leaving the vehicle unattended.

After using the vehicle, the temperature of some parts will be very high. Do not touch parts such as the exhaust system, cooling system, engine, or brake system.

Do not park the vehicle near materials that are highly flammable or explosive. High temperature parts may ignite those materials.

Improper parking may cause the vehicle to slip and roll over, which will lead to severe damages.

SAFETY OPERATION

Safe Riding Tips

The following items are applicable for daily motorcycle use and should be carefully observed for safe and effective vehicle operation:

- For safety, goggles and a helmet are strongly recommended. You must be aware of traffic regulations for the safe riding. Safe riding gear such as gloves and suitable footwear should also be used for protection.
- Wear protective apparel when riding in case of any collision with other vehicles. Without protective apparel, no safety can be ensured. Before changing lanes, look over your shoulder to make sure the way is safe. Do not rely solely on the rearview mirrors. You must judge distance and speed of other cycles, or accidents may occur.
- When climbing up steep slopes, shift to a lower gear to increase the motor's torque output, thus avoiding overloading.
- When applying the brakes, apply both the front and rear brakes at the same time. Applying only one brake for sudden braking may cause the motorcycle to skid and lose control.
- When going down long downhill slopes, control vehicle speed by releasing the throttle. Use the front and rear brakes for auxiliary braking.
- In wet conditions, rely more on the throttle to control vehicle speed and less on the front and rear brakes. The throttle should also be used judiciously to avoid skidding the rear wheel during rapid acceleration or deceleration.
- Riding at the proper speed and avoiding unnecessary acceleration are important not only for safety and low fuel consumption, but also for longer vehicle life and quieter operation.

SAFETY OPERATION

- When riding in wet conditions or on loose roadway surfaces, vehicle performance will be reduced. All of your actions should be smooth and flexible under these conditions. Sudden acceleration, braking or turning may cause loss of control.
- Practice your operating skills cautiously and slowly in an open area and hold the fuel tank with the knees for better stability. When there is a quick acceleration, shift to a lower gear to obtain the necessary power.
- Do not downshift at high RPM to avoid damage to the engine.
- Avoid unnecessary use of fabric tape which may entangle the rider or motorcycle.

SAFETY OPERATION

Additional Cautions for High Speed Operation

Brakes: Braking is very important, especially during high speed riding and the braking force cannot be too large. Inspect and adjust the brakes to get better performance.

Handling: Looseness of the handling parts may cause loss of control. Inspect the steering to see whether it can turn freely without shaking.

Tires: High speed operation requires the tires to be in good condition. Good-condition tires are crucial for safe riding. Inspect their pressure and the wheel balance.

Fuel: To ensure that there is enough fuel and a smooth supply of fuel for high speed operation.

Oil: To avoid engine failures which could result in loss of control, make sure the oil level is maintained between the upper and lower level lines.

Coolant: To avoid overheating, check and make sure that the coolant level is between the two level lines.

Electrical Equipment: Make sure that the headlights, tail/brake light, turn signals, horn, etc. work properly.

Fasteners: Make sure that all nuts and bolts are tight and that all safety-related parts are in good condition.

DANGER

Do not speed on expressways. Obey the relevant laws and regulations. Motorcycles may be banned on expressways in some markets unless they are approved by traffic authorities and operators have the appropriate skills and protection.

MAINTENANCE

Careful and periodic maintenance will help keep your vehicle in the safest, most reliable condition. Inspection, adjustment, and lubrication of important components are explained in the Periodic Maintenance Chart.

Inspect, clean, lubricate, adjust, and replace parts as necessary. When inspection reveals the need for replacement of certain parts, always use original parts from your dealer.

NOTE

Periodic maintenance and adjustments are critical. If you are not familiar with maintenance procedures, have a qualified dealer do that for you.

Pay special attention to the oil level during cold weather operation. A rise in oil level can indicate that there are contaminants collecting in the oil sump or crankcase. Change oil immediately if the oil level begins to rise. Monitor the oil level, and if it continues to rise, stop using the vehicle and inspect for reasons or see your dealer.

Improper Use

CFMOTO defines improper use of the vehicle as:

- Often immersed in mud, watery or sandy places.
- Racing or race-style use of high RPM.
- Running at low speed for a long time, and carry heavy load.
- Idle the engine for a long time.
- Short-distance operation in a cold weather.
- For commercial use.

If this vehicle is used in a way that matches any of these definitions, decrease the maintenance intervals by 50%.

MAINTENANCE

Key Points of Lubrication Schedule

Check all components at the intervals outlined in the Periodic Maintenance Chart. Items not listed in the schedule should be lubricated at the general lubrication interval.

- Change lubricants more often under severe conditions, such as being used in wet or dusty conditions.
- Lubricate before long periods of storage, after pressure washing, or after submerging drive system

Item	Specifications	Method
Engine oil	SAE 10W-40 JASO MA2	Inspect the oil level from the oil view window.
Brake fluid	DOT4	Keep the level between upper and lower lines.

MAINTENANCE

Break-In Maintenance Chart

Item		Break-In Maintenance Interval (Service whichever interval comes first)			
		Calendar	Miles	Km	Notes
Engine					
■	Oil and oil filter	-	600	1000	Replace.
■	Coarse oil filter	-	600	1000	Clean.
	Idle	-	600	1000	Inspect.
■	Coolant	-	600	1000	
	Throttle system	-	600	1000	
Electrical system					
■	Functions of electrical parts	-	600	1000	Inspect.
	Battery	-	600	1000	
	Fuses or circuit breakers	-	600	1000	
Brake					
	Brake discs	-	600	1000	Inspect.
	Brake pads	-	600	1000	
	Brake fluid level	-	600	1000	
■	Brake hoses	-	600	1000	Inspect brake hoses for damage and to see whether they are sealed.
	Brake lever	-	600	1000	Inspect free play.

▲ = Maintenance interval shortens by 50% if the motorcycle is subjected to severe use.

■ = An authorized dealer should perform repairs that involve this component or system.

MAINTENANCE

Item	Break-In Maintenance Interval (Service whichever interval comes first)				
	Calendar	Miles	Km	Notes	
Wheels					
	Tire condition	-	600	1000	Inspect.
	Tire pressure	-	600	1000	
Suspension					
■	Rear and front shock absorbers	-	600	1000	Inspect for oil leakage(maintain front forks and the rear shock absorber according to the requirement and purpose).
Cooling system					
	Coolant level	-	600	1000	Inspect.
■	Coolant	-	600	1000	
■	Radiator fan function	-	600	1000	
	Coolant hoses	-	600	1000	
Steering system					
■	Steering bearings	-	600	1000	Inspect

▲ = Maintenance interval shortens by 50% if the motorcycle is subjected to severe use.

■ = An authorized dealer should perform repairs that involve this component or system.

MAINTENANCE

Item		Break-In Maintenance Interval (Service whichever interval comes first)			
		Calendar	Miles	Km	Notes
Other parts					
■	Fault control memory	-	600	1000	Read with PDA.
■	Movable parts	-	600	1000	Lubricate, and inspect their flexibility.
■	Bolts and nuts	-	600	1000	Inspect their firmness.
■	Cables	-	600	1000	Inspect them for damage, bending and inspect their setting.

▲ = Maintenance interval shortens by 50% if the motorcycle is subjected to severe use.

■ = An authorized dealer should perform repairs that involve this component or system.

MAINTENANCE

Periodic Maintenance Chart

Item		Periodic Maintenance Interval (Service whichever interval comes first)			
		Calendar	Miles	Km	Notes
Engine					
	Oil and oil filter	6M	3000	5000	Replace.
	Coarse oil filter	6M	3000	5000	Clean.
■	Clutch	-	3000	5000	Inspect and repair or replace if necessary.
	Idle	-	3000	5000	Inspect and adjust if necessary.
■	Coolant	24M	21000	35000	Replace.
	Throttle	-	3000	5000	Inspect and adjust if necessary.
■	Throttle body	-	3000	5000	Clean.
▲ ■	Air filter elements	-	3000	5000	Clean.
		24M	12000	20000	Replace.
■	Spark plug	-	3000	5000	Inspect and replace if necessary.
		-	6000	10000	Replace.
■	Valve clearance	-	24000	40000	Inspect and adjust if necessary.

▲ = Maintenance interval shortens by 50% if the motorcycle is subjected to severe use.

■ = An authorized dealer should perform repairs that involve this component or system.

MAINTENANCE

Item		Periodic Maintenance Interval (Service whichever interval comes first)			
		Calendar	Miles	Km	Notes
Electrical system					
■	Functions of electrical parts	12M	6000	10000	Inspect and repair or replace if necessary.
	Battery	6M	3000	5000	Inspect and recharge if necessary.
	Fuses or circuit breakers	6M	3000	5000	Inspect and replace if necessary.
■	Wires	12M	6000	10000	Inspect for any damage and bending when they are being set.
Wheels					
	Tire condition	12M	6000	10000	Inspect and repair or replace if necessary.
	Tire pressure	12M	6000	10000	Inspect and replenish if necessary.
■	Wheel bearings	-	6000	10000	Inspect and repair or replace if necessary.

▲ = Maintenance interval shortens by 50% if the motorcycle is subjected to severe use.

■ = An authorized dealer should perform repairs that involve this component or system.

MAINTENANCE

Item	Periodic Maintenance Interval (Service whichever interval comes first)				
	Calendar	Miles	Km	Notes	
Brake					
	Front and rear braking systems	12M	6000	10000	Inspect and repair or replace if necessary.
	Brake discs	12M	6000	10000	
▲	Brake pads	12M	6000	10000	
	Brake fluid level	12M	6000	10000	Inspect and replenish if necessary.
■	Brake hoses	12M	6000	10000	Inspect them to see whether they are damaged and sealed.
	Brake pedals	12M	6000	10000	Inspect free play
■	Brake fluid	24M	-	-	Replace.

▲ = Maintenance interval shortens by 50% if the motorcycle is subjected to severe use.

■ = An authorized dealer should perform repairs that involve this component or system.

MAINTENANCE

Item	Periodic Maintenance Interval (Service whichever interval comes first)				
	Calendar	Miles	Km	Notes	
Suspension					
■	Suspension system	-	3000	5000	Inspect and repair or replace if necessary.
■	Front and rear shock absorbers	12M	6000	10000	Inspect for oil leakage(maintain front forks and rear shock absorber according to the requirement and purpose).
Frame					
	Frame	-	18000	30000	Inspect and repair or replace if necessary.
Steering system					
■	Steering bearings	12M	6000	10000	Inspect and repair or replace if necessary.

▲ = Maintenance interval shortens by 50% if the motorcycle is subjected to severe use.

■ = An authorized dealer should perform repairs that involve this component or system.

MAINTENANCE

Item	Periodic Maintenance Interval (Service whichever interval comes first)				
	Calendar	Miles	Km	Notes	
Cooling system					
	Coolant level	12M	6000	10000	Inspect and replenish if necessary.
■	Radiator fan function	12M	6000	10000	Inspect and repair or replace if necessary.
■	Cooling hoses	12M	6000	10000	
Sprocket and chain					
▲	Chain lubrication	-	350	600	Inspect immediately after riding in a rainy day.
▲	Chain tightness	-	600	1000	Inspect and adjust if necessary.
▲	Wear of chain, rear sprocket and engine sprocket	12M	6000	10000	Inspect and replace if necessary.

▲ = Maintenance interval shortens by 50% if the motorcycle is subjected to severe use.

■ = An authorized dealer should perform repairs that involve this component or system.

MAINTENANCE

Item	Periodic Maintenance Interval (Service whichever interval comes first)				
	Calendar	Miles	Km	Notes	
Other parts					
■	Fault control memory	12M	6000	10000	Read with PDA.
■	Movable parts	12M	6000	10000	Lubricate, and inspect their flexibility.
■	Bolts and nuts	12M	6000	10000	Inspect their firmness.
■	Cables	12M	3000	5000	Inspect them for damage, bending and inspect their setting.
■	Pipes, ducts, hoses and sleeves	12M	6000	10000	Inspect them to see whether they have cracks, are sealed and set corrected.

▲ = Maintenance interval shortens by 50% if the motorcycle is subjected to severe use.

■ = An authorized dealer should perform repairs that involve this component or system.

MAINTENANCE

CLUTCH LEVER FREE PLAY

Inspect the flexibility of the clutch lever.

Straighten the handlebar.

Slowly apply the clutch lever until the resistance is evident. The free play distance of the clutch lever is within the following range.

Free play: 0.39 in (10 mm)

WARNING

If there is no free play for clutch lever, the clutch cable will strain, clutch of the engine end in the semi linkage state. It will easily cause slip and wear.

Inspect the free play every time before running the engine.

Set the free play as stipulated when necessary.

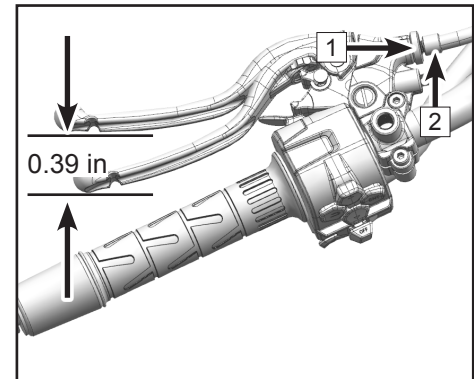
Fine adjustment of clutch lever free play

Straighten the handlebar.

Loosen lock nut **1**.

Rotate the adjusting nut **2** for adjustment.

Tighten the lock nut **1**.



MAINTENANCE

GEARSHIFT LEVER ADJUSTMENT

The gearshift lever is adjustable to suit personal riding habits.

Range: ± 0.2 in (5 mm)

Adjusting the gearshift lever

Loosen lock nut **1**.

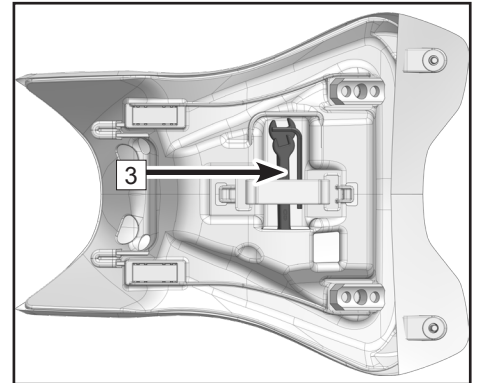
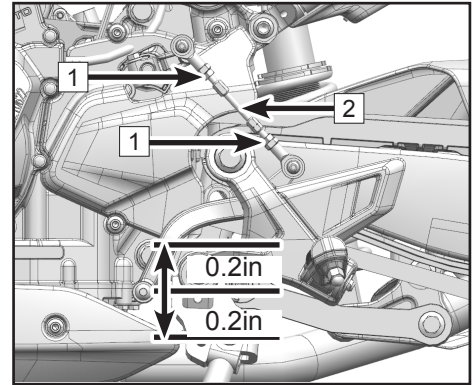
Rotate clockwise the center connecting rod **2** to raise the gearshift lever.

Rotate anti-clockwise the center connecting rod **2** to lower the gearshift lever.

Tighten the lock nut **1**.

TOOL KIT

Tool kit **3** is usually under the cushion and can help maintain and disassemble some parts of the vehicle.



MAINTENANCE FUEL SYSTEM

Fuel Tank

Avoid spilling fuel to the outside of the fuel tank when filling. If a spill occurs, wipe it off immediately to avoid pollution or causing danger.

Fuel tank volume: 3.7 gal (14 L)

DANGER

Gasoline is flammable, so the fuel should be filled in a ventilated area. Before refueling, turn off the engine and wait for the engine and muffler to cool. No smoking or any acts that cause sparks are allowed in the fuel filling area or fuel storage area.

Never fill the tank excessively. Avoid the fuel from overflowing onto high-temperature parts. The fuel level should not exceed the tank opening. As temperature rises, fuel can heat and expand, and then may spill over and damage motorcycle parts.

Fuel is toxic and harmful to health. Avoid touching the skin, eyes and clothes. Do not inhale fuel vapor.

If the fuel touches the skin, wash the skin with plenty of clean water.

If the fuel touches the eyes, wash eyes immediately with clean water and see a doctor immediately.

If the fuel touches the clothes, change the clothes immediately.

If the fuel is swallowed by mistake, see a doctor immediately.

After maintenance or other disassembling behaviors of parts of the fuel system, please contact your dealer for complete inspection to avoid fuel leaks or other dangers.

Dispose of the fuel properly to avoid damage to the environment.

MAINTENANCE

Fuel Requirements

This motorcycle is recommended to use only unleaded premium gasoline (87# or higher).

CAUTION

Do not use leaded gasoline, as it will destroy the catalytic converter. (For further understanding, please consult related materials about the catalytic converter)

Be sure to use fresh gasoline. Gasoline oxidation will result in loss of octane and volatile compounds. It also produces colloidal and lacquer deposits which could damage the fuel system.

Octane Rating (RON)

'RON' is a technical term commonly used to describe the octane rating of gasoline. The higher the number RON, the greater the resistance to knocking and detonation. Always use unleaded gasoline with an octane rating equal to 87# or higher.

CAUTION

If the engine has a knocking cylinder or detonation, use a unleaded gasoline of higher quality or higher RON.

MAINTENANCE

ENGINE ASSEMBLY

For the engine, transmission, clutch and other parts to work properly, make sure that the oil level is between the upper and lower lines from the oil view window, and check and replace the oil according to the Periodic Maintenance Chart. Long-time lubrication will not only produce dirt and metallic impurities, but also consume itself.

DANGER

Riding the motorcycle with insufficient, deteriorated or highly contaminated oil will cause accelerated wear and may result in engine or transmission's damage, which could cause an accident and/or personal injury.

Oil Level Inspection

Make sure the vehicle is turned off.

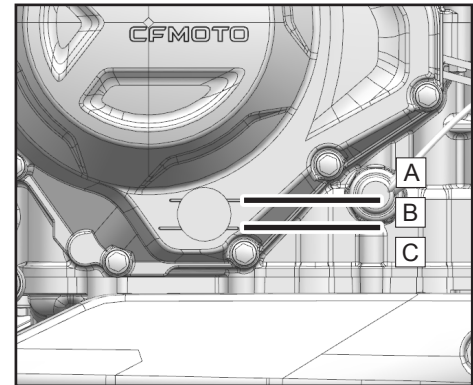
If the engine had just been running, please wait for 2 to 3 minutes for the oil to settle.

Support the vehicle vertically on a level surface, and then view the oil level inspection window:

If the oil level is at area A, drain out the oil until the level is within area B.

If the oil level is at area B, it is at the proper level.

If the oil level is at area C, or no oil level can be viewed, fill the engine with the recommended oil until the level is within area B.



MAINTENANCE

Oil and Oil Filter Replacement

Park the vehicle on the level ground.


Idle the engine for several minutes. Then turn off the engine.

WARNING

Warming up the engine for a long period may lead to high temperature of the engine and oil. Please wear suitable protective clothing and gloves when changing oil. In the event of scalding, wash the scalded area immediately with running water for more than 10 minutes until feeling no pain and see a doctor.

Remove the left side protective panel  by removing its bolts .

Place an oil basin under the oil drain.

Remove the magnetic oil drain bolt and washer .

Completely drain out the used oil.

WARNING

Oil is a toxic substance, so used oil should be disposed of properly.

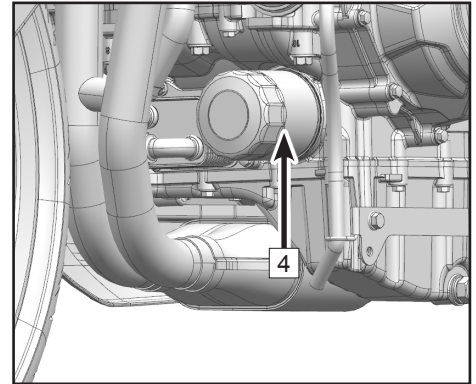
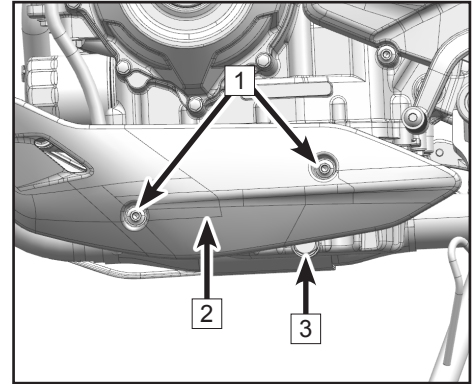
Replace the oil filter .

Clean the oil drain bolt and the area around the oil drain hole.

Place a new washer on the oil drain bolt, and then remount the oil drain bolt and washer.

Torque: 18.4 ft-lb (25 N•m)

Reinstall the left side protective panel and mounting bolts.



MAINTENANCE

Remove the oil filler screw plug **5**.

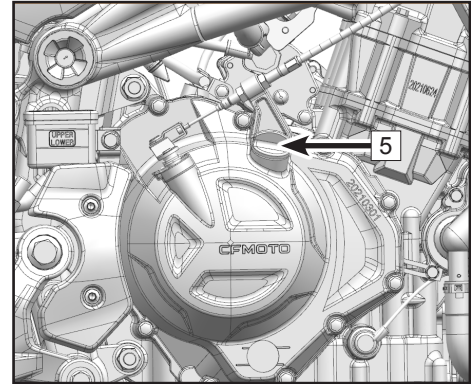
Fill with 2.64 qt (2.5 L) oil of SAE 10W/40 , JASOMA2.

Remount the oil filler screw plug.

Idle the engine for several minutes, allowing the oil to flow into the oil filter.

Turn off the engine.

Inspect the oil level and adjust it as necessary until the required level is reached.

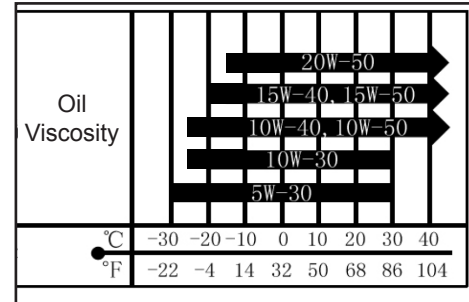


Oil Capacity

Replace oil and filter: 2.64 qt (2.5 L).

CFMOTO recommends oil with API SJ or higher. JASO-MA2 is the primary choice and JASO-MA is an acceptable alternative.

Although 10W-40 oil is the recommended oil for most conditions, the oil viscosity may need to be changed to accommodate atmospheric conditions in your riding area. Please choose oil viscosity according to the chart.



MAINTENANCE

Spark Plug

The spark plug should be replaced in accordance with the Periodic Maintenance Chart.

Its disassembly should only be performed by an authorized dealer.

Spark plug type: BN8RTI.

Spark plug clearance 1: 0.03 in ~ 0.04 in (0.8 mm ~ 1 mm)

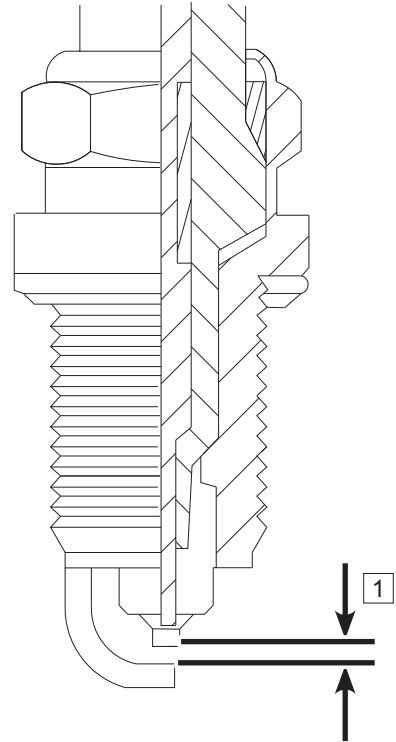
Torque: 8.8 ft-lb (12N•m) ~ 11.1 ft-lb (15 N•m)

Idling

The idling speed of this vehicle has been adjusted at the factory and cannot be adjusted by users, otherwise its performance will be affected. When parts affecting idling speed need to be replaced, contact your dealer for replacement and recalibrate the ECU with PDA.

⚠ DANGER

Improper adjustment of idling may cause serious consequences.

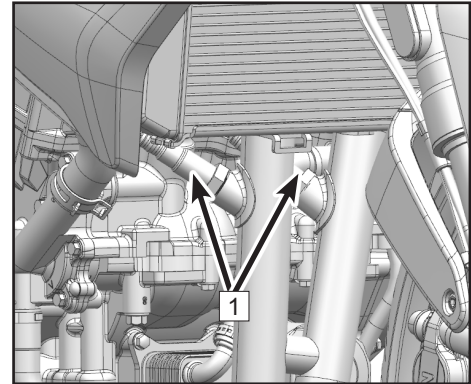


MAINTENANCE

AIR INTAKE AND EXHAUST SYSTEM

Exhaust Detecting System

Exhaust detecting system depends on two oxygen sensors ¹ mounted on exhaust pipes, and they can detect the air & fuel combustion degree by measuring oxygen density and transferring it as an electrical signal to the ECU. If the ECU thinks that combustion is not thorough, it will adjust fuel injection in accordance with signals from the Throttle Position Sensor and Intake Air Temperature sensors. By this way, the ratio of air to fuel can be optimized for thorough combustion.



Air Intake Valve

An air intake valve is a valve which allows fresh air to flow only from the air filter into the engine. Any air that passes through the air intake valve is prevented from returning. Have a dealer inspect the air intake valves in accordance with the Periodic Maintenance Chart. Also, have the air intake valves inspected whenever stable idling cannot be performed stably, engine power is greatly reduced, or there are abnormal engine noises.

Air intake valve removal and inspection should only be performed by an authorized CFMOTO dealer.

MAINTENANCE

Valve Clearance

The valves and valve seats will wear during operation, thus the need for adjustment after being used for a period of time.

WARNING

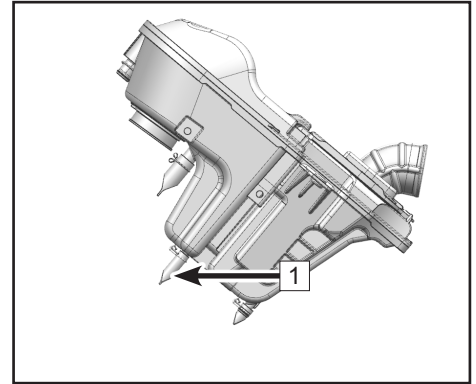
When valves and valve seat tappets are worn during use, and if adjustment of the valve clearance is not performed, it will eventually result in no clearance or cause the valves remaining partly open, which reduces performance, creates valve noise, and can cause serious engine damage. Valve clearance for each valve should be inspected and adjusted in accordance with the Periodic Maintenance Chart. Inspection and adjustment should be performed by a CFMOTO dealer.

MAINTENANCE

Air Filter

A clogged air filter restricts air flow, increases fuel consumption, reduces engine power, and causes spark plug fouling. The air filter element must be cleaned in accordance with the Periodic Maintenance Chart. When driving in dusty, rainy, or muddy conditions, the air filter element should be serviced more frequently than the recommended interval in the Periodic Maintenance Chart. Due to the vehicle's design, air filter service should be performed only by an authorized dealer.

Indicator hose **1** alerts you to excessive dirt, residual oil or water in the air filter.



⚠ CAUTION

Oil on tires, plastic or other parts will cause damage.

Intaking unfiltered air will have a negative effect on the service life of the engine.

Never start or use the vehicle without an air filter.

Throttle Body

The stop screws on the throttle body have been set precisely and can not be adjusted. Inspect the vehicle to see whether its idling is stable, and if the idling is not stable, please ask CFMOTO to assign professional technicians to deal with this problem.

MAINTENANCE COOLING SYSTEM

Radiator and Cooling Fan

Inspect the radiator fins for deformation and obstruction by mud, and clean off any obstruction with clean water.

WARNING

When the fan is working, prevent your hands and clothing from getting inside the fan to avoid any injury.

Using high-pressure water to clean the vehicle could damage the radiator fins and reduce the radiator's effectiveness.

Mounting unauthorized accessories in front of the radiator or behind the cooling fan may obstruct or change the radiator airflow, and can lead to overheating and damage.

If the radiator pipe is obstructed more than 20% by irremovable obstructions or irreparable deformed fins, then replace it with a new radiator.

Radiator Hoses

Inspect the radiator hoses for leaks, cracks, aging, rust, corrosion and connections for leaks or looseness daily before riding the motorcycle. Inspect the vehicle in accordance with the Periodic Maintenance Chart.

MAINTENANCE

Coolant

Coolant absorbs heat from the engine and transfers it to the air by the radiator. If the coolant level is too low, the engine will overheat and may suffer from severe damages. Inspect the coolant level daily before riding the motorcycle and perform maintenance in accordance with the Periodic Maintenance Chart. Replenish the coolant if its level is too low.

To protect the cooling system (engine and radiator are made of aluminum) from rust and corrosion, the use of anti-corrosion and anti-rust chemicals in the coolant is essential. If the coolant has already these chemicals, there is no need to add them separately.

DANGER

Coolant is toxic and harmful to health.

Do not allow the coolant to touch skin, eyes or clothing.

If coolant is swallowed, see a doctor immediately.

If coolant touches the skin, flush the skin with plenty of clean water immediately.

If coolant touches the eyes, flush the eyes with plenty of clean water and see a doctor immediately.

If coolant splashes on clothes, change the clothes and wash them immediately.

Any corrosion or rust remains from the engine and radiator should be disposed of by special instructions, because the chemicals inside are harmful to the human body.

MAINTENANCE

CAUTION

Do not add tap water to the coolant system, for it will cause deposit inside the cooling system. When the temperature is below 0°C, ice will occur and severely affect the coolant system.

Available bottled antifreeze in the market contains anti-corrosion and anti-rust chemicals. When it is diluted, it loses its anti-corrosion and anti-rust function. Keep the diluted concentration of antifreeze the same as the instructions from the manufacturer.

When replenishing the coolant which color is green and contains ethylene glycol. When the environment temperature is below -31°F (-35°C), please ensure the coolant has a freezing point below -31°F (-35°C).

MAINTENANCE

Coolant Level Inspection

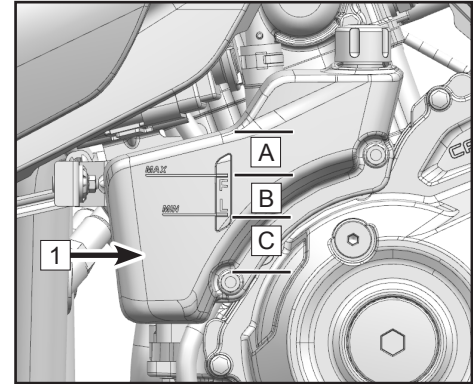
Support the vehicle vertically on a level surface.

Inspect the coolant level in the reservoir **1**.

If the level is at area 'A': Drain out the redundant coolant until it is at area 'B'.

If it is at area 'B': The coolant is at the proper level.

If the level is at area 'C' or cannot be seen: Replenish it with the same coolant until the level is at area 'B'.



⚠ WARNING

When the vehicle is running, the coolant will have a very high temperature and stay in a state of compression.

Before the engine or cooling system has cooled down completely, do not open the radiator, radiator hoses, reservoir or other cooling-related parts.

In the event of scalding, wash the scalded area immediately with running water for more than 10 minutes until the pain can not be felt and see a doctor.

MAINTENANCE

Coolant Replenishment

Open the reservoir cover and replenish coolant to area B shown on the previous page.

CAUTION

If coolant needs to be replenished frequently, or the reservoir is completely dry, there is probably a leak in the system. Have the cooling system inspected by an authorized dealer.

Only recommend the original CFMOTO coolant. Contact your dealer for replacing coolant. Mixing different coolant may lead to engine damage.

MAINTENANCE

TIRES AND CHAINS

This vehicle only uses tubeless tires, rims and inflating valves. Only use the recommended standard tires, rims and inflating valves. Do not mount inner tube tires on tubeless rims. Improper mounting of tires may cause air leakage. Do not mount an inner tube inside a tubeless tire.

Tire Specifications

Tire specifications	Front wheel	110/70 R17 M/C
	Rear wheel	150/60 R17 M/C
Tire pressure	Front wheel	32.6 PSI (225 kPa)
	Rear wheel	35.5 PSI (245 kPa)
Minimum tread depth	Front wheel	0.03 in ~ 0.04 in (0.8 mm ~ 1 mm)
	Rear wheel	0.03 in ~ 0.04 in (0.8 mm ~ 1 mm)

Improper tire pressure or exceeding the tire load limit may affect the vehicle handling and performance, causing a loss of control.

Make periodic inspections on the tire pressure by a tire pressure gauge and adjust tire pressure accordingly.

Too-low tire pressure may cause the tire improper wear or overheating.

Proper tire pressure offers the best comfort and the longest service life.

NOTE:

Inspect the tire pressure when the tires are cold.

Tire pressure is affected by the change of environment temperature and altitude. If the environment temperature and altitude have a big change during riding, tire pressure should be adjusted and inspected accordingly.

MAINTENANCE

Most countries have their own regulations of minimum tread depth. Please follow local regulations. When mounting new rims or tires, always inspect the wheel balance of the tires.

CAUTION

In order to ensure safe and stable operation, please only use the tire and tire pressure recommended. If the tire is punctured and repaired, please do not ride the vehicle over 60 mph (100 km/h) until 24 hours after, and the speed cannot exceed 80 mph (130 km/h) at any other time.

The front and rear tires should come from the same manufacturer with the same tread pattern.

New tires can be slippery and may cause a loss of control and injury. Please ride the vehicle in proper ways and use different tilt angles to have the tires create friction with the ground over the entire surface. Normal friction surface will be formed after a break-in period of 100 miles (160 km). Avoid sudden braking, heavy acceleration, and high-speed sharp turns during the break-in period.

Tire Payload

The maximum recommended payload is 330.7 lb. (150 kg), including driver, luggage/cargo and accessories.

MAINTENANCE

Tire Friction

When tire tread wears too severely and the tire cannot be used, the tire becomes more susceptible to punctures and failures. An accepted estimate is that 90% of all tire failures occur during the last 10% of tire service life, so it is unsafe to continue to use bald tires. In accordance with the Periodic Maintenance Chart, measure the depth of the tread with a depth gauge, and replace any tire that has been worn down to the minimum allowable tread depth.

Visually inspect the tire tread for cracks and cuts, and replace it with a new tire if it is severely damaged. For example, if partial expansion appears on the tire, it means the tire is broken.

Remove any embedded stones or other foreign particles from the tread.

CAUTION

When the environment temperature is below 14°F (-10°C), it is recommended to place the vehicle indoors if required to be stored for a long time.

Do not use side stand to park the vehicle for long time in winter. Use the center stand (if equipped) or rear-wheel stand to park the vehicle, to let the tires be free of the wheel weight.

Do not allow the tires to sink into snow or ice for a long time when parking the vehicle in winter.

When parking the vehicle for a long time outside in winter, it is recommended to put objects that can preserve the heat such as branches, paper or sand under the tires.

MAINTENANCE

Drive Chain Inspection

The looseness and lubrication of the drive chain must be inspected daily before riding and safety cautions in the Periodic Maintenance Chart must be observed to prevent excessive wear. If the chain becomes badly worn or maladjusted, it will cause the chain to be too loose or too tight.

If the chain is too tight, it will accelerate the wear to the chain, sprocket, rear sprocket and rear rim. Some parts may crack or break when the vehicle is overload.

If the chain is too loose, the chain may fall off from the sprocket or rear sprocket, which may cause locking of the rear wheel or damages to engine.

The service life of the drive chain largely depends on the maintenance.

Chain Dirt Inspection

Inspect periodically or inspect the chain for dirt after driving in severe conditions.

If the chain is extremely dirty, flush any large dirt particles with a soft flow of water. Clean any residual dirt and residual lubricant with a proper chain cleaner.

Spray the chain with a proper chain lubricant after the chain is dry.

WARNING

When spraying chain lubricant, do not splash the lubricant onto other parts. Lubricant on the tires will decrease the tire grip, and lubricant on the brake discs will decrease the brake performance. Clean these components with a proper cleaner if the over-spray occurs.

MAINTENANCE

Chain Tension Inspection

Shift the gear into Neutral.

Park with the side stand.

Push up the chain to inspect its tension.

If the chain tension is not in line with relevant specifications, then adjust it to the standard.

Standard value: 0.98 in ~ 1.38 in (25 mm ~ 35 mm)

NOTE:

The wear of the chain is not always uniform, and the tension should be repeatedly measured by rotating the rear wheel several times in different positions.

Drive Chain Tension Adjustment

Loosen the rear wheel shaft nut **1**.

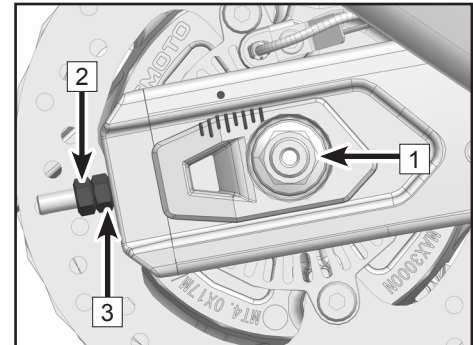
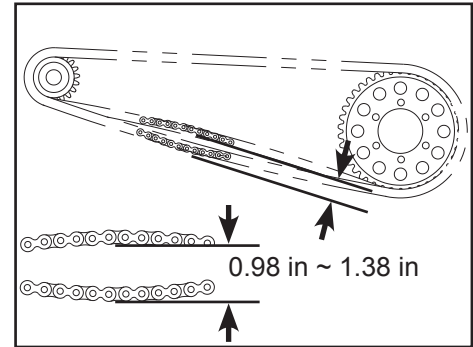
Loosen the left and right locking nuts **2**.

Screw the left and right adjusting nuts **3** to adjust the chain tension, ensuring the alignment marks on the left and right adjusting block are the same with the reference mark position.

Tighten the left and right locking nuts.

Tighten the rear wheel shaft nut.

Torque: 77.4 ft-lb ~ 81.1 ft-lb (105N•m~110N•m)



MAINTENANCE

Wear Inspection

Shift the gear into Neutral.

Support the vehicle with the side stand.

Apply chain tensioning or hanging a 22 lb (10 kg) object on the chain.

Measure the elongated length between 20 links.

If the measured length exceeds the standard limit, replace the chain with a new one.

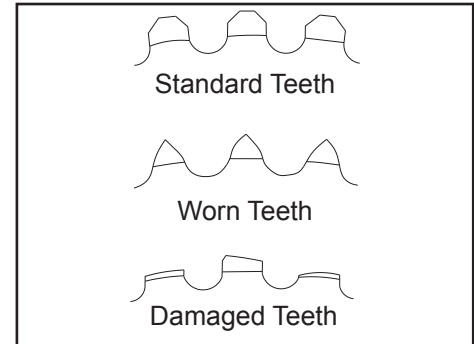
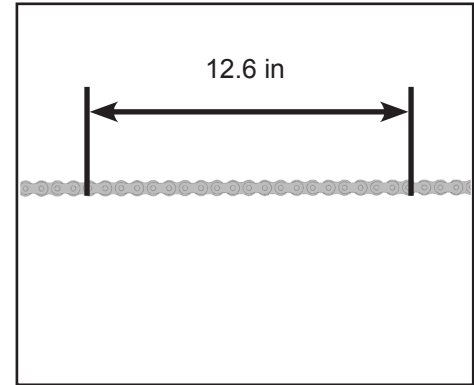
Standard limit: 12.6 in (320.7 mm)

DANGER

For your safety, please use the standard chain. When the chain is elongated, never cut the chain and use it again. Have it replaced by an authorized CFMOTO dealer.

Inspect the rear sprocket and engine sprocket tooth surface for any kind of wear.

If the engine sprocket or rear sprocket is worn, then replace the whole set.



MAINTENANCE BRAKE SYSTEM

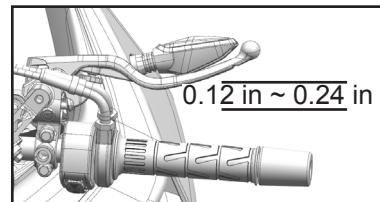
In order to maintain excellent performance of your vehicle and personal safety, please inspect and maintain the vehicle according to the Periodic Maintenance Chart. Make sure all the parts of the brake system are in a good state. If any damage occurs to the brake system, please stop riding and have your vehicle inspected and maintained by an authorized dealer.

Front Brake Lever Inspection

Park the vehicle with the side stand on level ground.
Grip lightly the front brake lever and inspect its free travel.

Free travel: 0.12 in ~ 0.24 in (3 mm ~ 6 mm)

Inspect the front brake lever for any cracks or abnormal noise.
If these problems occur, replace the front lever with a new one.

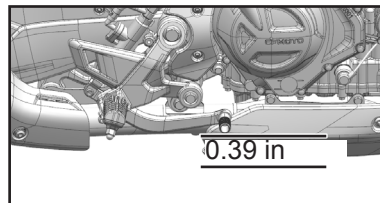


Rear Brake Pedal Inspection

Park the vehicle with the side stand on level ground.
Lightly grip the rear brake pedal and inspect its free travel.

Free travel: 0.39 in (10 mm)

Inspect the rear brake pedal for any cracks or abnormal noise.
If these problems occur, replace the rear lever with a new one.



⚠ WARNING

If the brake levers and pedals feel soft, there may be air or lack of fluid in a brake fluid hose. If the vehicle has this dangerous condition, do not ride the vehicle. Have the brake system inspected immediately by an authorized CFMOTO dealer.

MAINTENANCE

Brake Fluid Level Inspection

Support the vehicle vertically on level ground, and confirm the brake fluid reservoirs are level.

Inspect the front and rear brake reservoir fluid levels.

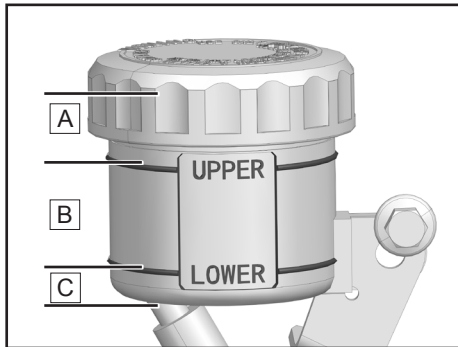
If the brake fluid level is at area 'A': Drain out the redundant fluid until it is at area 'B'.

If the brake fluid level is at area 'B': The level is proper.

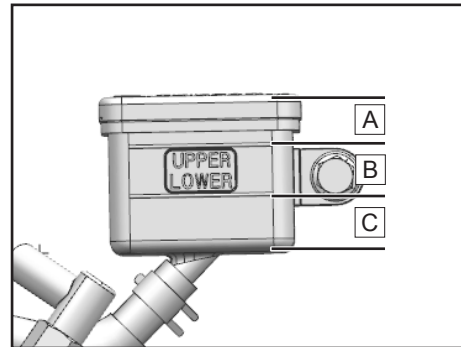
If the brake fluid level is at area 'C' or cannot be seen: Replenish it with the same brake fluid until the level is at area 'B'.

WARNING

If the brake fluid level drops to area 'C' frequently, the brake system is leaking, not sealed, or is damaged. Have the brake system inspected immediately by an authorized CFMOTO dealer.



Front brake fluid reservoir



Rear brake fluid reservoir

MAINTENANCE

Brake Fluid Replenishment

WARNING

Brake fluid can irritate the skin.

Keep brake fluid out of the reach of children.

Keep brake fluid away from skin, eyes or clothing. Wear protective clothing and goggles when operating the vehicle.

If brake fluid is swallowed, see a doctor immediately.

If brake fluid touches the skin, wash the skin with plenty of clean water.

If brake fluid touches the eyes, wash eyes immediately with clean water and see a doctor immediately.

If brake fluid spills onto your clothing, change the clothing and wash it immediately.

WARNING

Brake fluid used for a long time will reduce braking efficiency. Please change the brake fluid according to the Periodical Maintenance Chart. Only use the same type DOT4 brake fluid as marked on the fluid reservoir. The mixing of different brake fluids may cause brake system damage or failure, so it is recommended to always use the original CFMOTO brake fluid. If you cannot make sure the original brand, please contact your authorized CFMOTO dealer for brake fluid maintenance.

NOTE

When the brake fluid level goes down, it causes negative pressure inside the fluid reservoir, which may lead the reservoir gasket to sag. Remove the reservoir cap to release the pressure, adjust the reservoir gasket and then remount the gasket and cap.

MAINTENANCE

Front Brake Fluid Reservoir

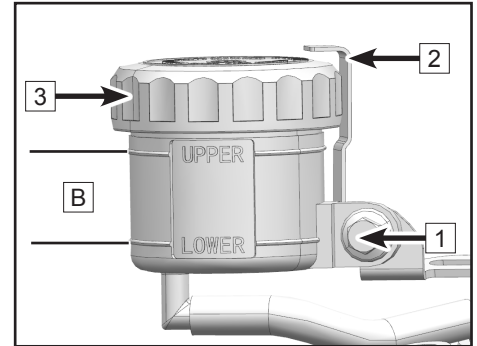
Remove screws **1**. Remove the bracket **2**.

Remove the cover and reservoir gasket **3**.

Replenish brake fluid to area 'B'.

Remount the cover and reservoir gasket.

Mount the bracket **2** and screw **1**.



Rear Brake Fluid Reservoir

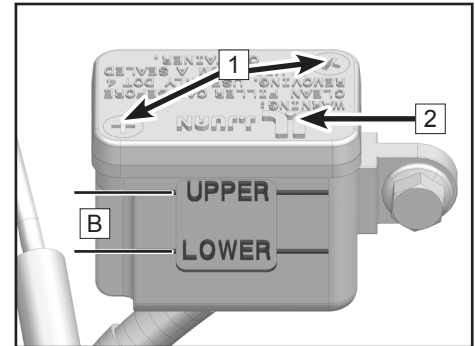
Remove screws **1**.

Remove the cover and reservoir gasket **2**.

Replenish brake fluid to area 'B'.

Remount the cover and reservoir gasket.

Mount the screws **1**.



MAINTENANCE

Brake Disc Inspection

Inspect brake discs periodically for any damage, out of shape, cracks or wear. Damaged brake discs may cause braking failure. Worn-out brake discs will decrease braking performance. If brake discs are damaged or exceed the wear limit, contact an authorized dealer to replace them with new ones immediately.

Inspect the thickness of front and rear brake discs in several positions.

Front and rear brake discs wear limit: 0.16 in (4 mm)

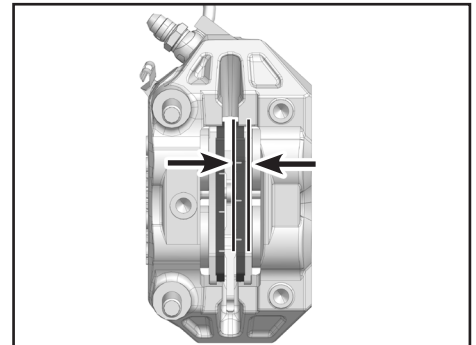
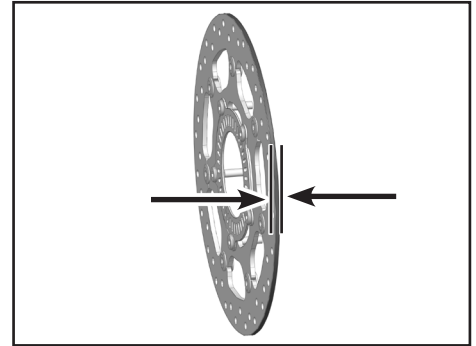
Brake Caliper Inspection

Inspect the brake calipers before riding. Inspect the minimum thickness of brake pads periodically. If the brake pads are too thin, their brackets will rub the brake discs, which will severely reduce brake effect and damage the brake pads.

Inspect the minimum thickness of brake pads on all brake calipers.

Brake pad minimum thickness: 0.05 in (1.3 mm)

If the brake pad thickness is less than the minimum limit, or the brake pads are damaged, please contact an authorized dealer immediately to replace the pads in pairs.



MAINTENANCE

Anti-Lock Braking System (ABS)

ABS is a safety system that prevents locking of the wheels when riding in a straight line or a curve without the influence of lateral forces.

With the assistance of ABS, when riding on gritty, water-logging, sliding or other low-adhesive force roads, the vehicle can use its full brake force and will face no risk of wheel locking.

DANGER

Driving assistance can only prevent rollovers within certain physical limits. In extreme driving conditions, such as a high center of gravity from cargo, changing road conditions, steep slopes and full-speed braking without releasing the brake, motorcycle rollovers may occur.

ABS works with two independent brake circuits (front and rear brakes). When the brake electronics control unit detects a locking tendency in a wheel, ABS begins to work by adjusting the brake pressure. The adjusting process can be felt through as a slight pulsing of the front or rear brake pedals.

When turning on the ignition switch, the ABS indicator must be on and then be off after starting. If the ABS indicator is still on after starting the vehicle, or it lights up again during riding, the ABS unit has detected a fault. If a fault occurs, ABS will deactivate, and the wheels may lock during hard braking. The brake system itself will function normally, but ABS is not available to prevent wheel lockup.

MAINTENANCE

SHOCK ABSORBERS

Shock Absorber Inspection

Holding the handlebar and front brake, compress the front fork for several times to inspect it to see whether its working is smooth.

Visually inspect the front shock absorbers for oil leaks and front fork for scratches or friction noise.

After riding, inspect the front fork to see whether it has mud, dirt or debris, and if so, clean them, or they will lead to oil seal damage and shock absorber oil leak.

Press down the seat several times to inspect it to see whether the rear shock absorber works smoothly.

Inspect the rear shock absorber for oil leak.

If you have any doubt about the front or rear shock absorber performance, please contact an authorized CFMOTO dealer.

Rear Shock Absorber Adjustment

The shock absorber has been adjusted at the factory to the best position which is suitable for most situations.

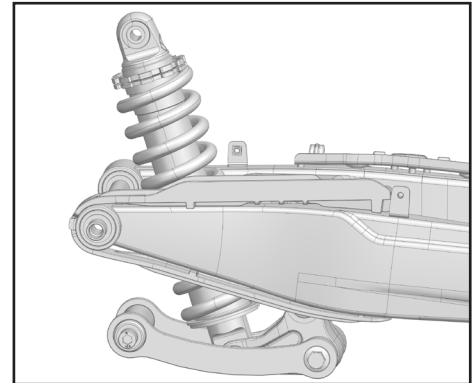
Contact your dealer to adjust the spring preload. Do not adjust it by yourself.

DANGER

This part contains high-pressure nitrogen, incorrect operation may cause explosion.

Read relevant instructions.

Do not put it into the fire, drill holes in it or open it.



MAINTENANCE

ELECTRICAL SYSTEM AND LIGHTS

Battery

It is equipped with lead-acid battery for starting. When the vehicle is not in use for a long time (≥ 2 months), the battery needs to be removed for storage. However, for optimal battery life, you must properly charge the battery to provide enough power for the starter motor. When the vehicle is in frequent use, the vehicle charging system automatically charges the battery. If the vehicle is used only occasionally or for a short period of time, the battery may be low in power.

CAUTION

To avoid battery damage and power loss, do not idle the vehicle for more than 30 minutes. Otherwise, the vehicle cannot be started.

Batteries can also self-discharge which speed depends on battery type and environment temperature. When environment temperature rises for example, the speed could increase by a factor of 1 for every 15°C temperature rise.

Battery Sulfation

A common battery failure is sulfation. When the battery is short of power for a long time, electrolyte can be sulfated. Sulfation is an abnormal product produced by chemical reaction in battery. If the battery sulfation occurs, the battery discharging can cause the battery plate permanent damage, and cause the battery to be impossible to be charged. When such a fault occurs, the only way is to replace the battery with a new one.

MAINTENANCE

Battery Maintenance

Clean the battery case with a soft brush dipped in a mixture of baking soda and water. Use a wire brush to remove corrosion on the positive and negative lug plates and positive and negative anodes.

Always keep the battery fully charged, or the battery may be damaged.

If the vehicle is driven infrequently, inspect the battery voltage weekly with a voltmeter. If it drops under 12.8 volts, the battery should be charged (contact your dealer for an inspection). If you will not use the vehicle for longer than 2 weeks, the battery must be charged with a charger. If the vehicle is not in use for one month or longer, please remove the battery and place it in a cool, dry place. Before remounting, fully charge the battery. It must be removed from the vehicle when it is being charged.

Battery Charger

Contact your dealer for battery charger's specifications.

Battery Charging

Do not use an automotive quick-charger that may overheat and damage the battery. Maintenance-free batteries require special chargers (constant low voltage/ampere). Using traditional battery chargers will reduce battery life.

Remove the battery from the vehicle.

Connect the charger wire, and ensure that the charging current is $1/10$ A of the battery capacity, for example: for the capacity of 10 Ah battery, its charging current should be 1 ampere.

Ensure that the battery is fully charged before mounting.

MAINTENANCE

WARNING

Do not remove the battery's sealing strip, or the battery will be damaged. Do not mount an ordinary battery in this motorcycle, or the electrical system will not work properly. When removing the battery, firstly disassemble the negative pole, and then the positive pole. During mounting, the connection sequence of positive and negative poles is opposite to that of disassembly.

NOTE:

When charging a maintenance-free battery, always follow the instructions in this manual.

MAINTENANCE

Battery Removal

Place the vehicle on flat ground and park it.

Completely turn off the engine and power supply of the vehicle.

Insert the key into the cushion lock.

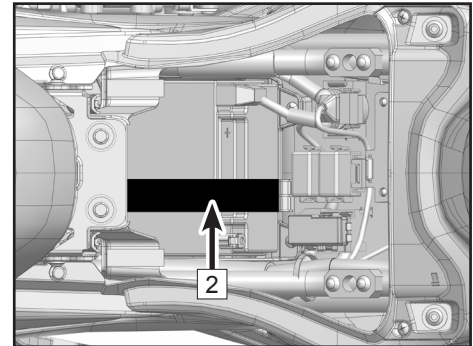
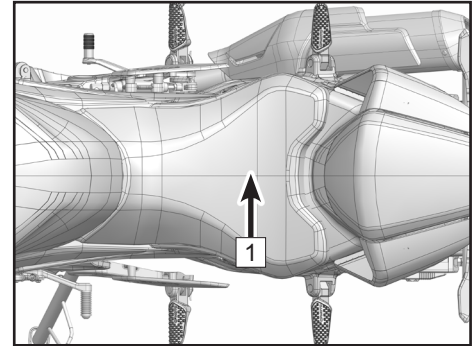
Remove cushion **1**.

Remove the black negative wire (-).

Remove the red positive pole wire (+).

Remove the battery pull belt **2**.

Remove the battery.



MAINTENANCE

Battery Mounting

Park the vehicle on flat ground.

Ensure that the vehicle's key is in the closed position.

Put in the battery.

Mount battery belt.

Mount the red positive pole wire (+).

Mount the black negative wire (-).

Remount the dust cover and seat.

WARNING

Avoid direct touching with the skin, eyes and clothing. Always protect eyes when working near the battery. Keep the battery out of reach of children. Keep the battery away from sparks, open flames, cigarettes, or other ignition points. When using or charging batteries in a confined space, ventilate the area.

Battery acid detoxification treatment:

External: Rinse the touched area with clean water.

Internal: See a doctor immediately.

Eyes: Rinse the eyes with clean water for 15 minutes and see a doctor immediately.

CAUTION

Improper disassembly and assembly of positive and negative wires may lead to a short circuit between the battery and the vehicle body.

MAINTENANCE

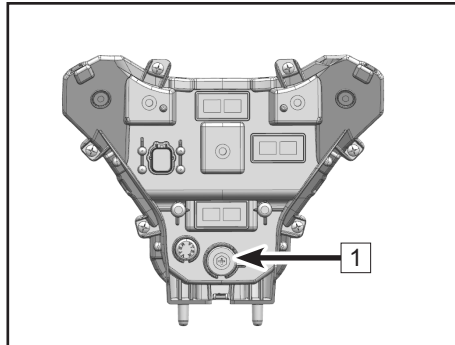
Lights

Headlight and fog light are adjustable. Rotate the light adjusting knob **1** to adjust light.

⚠ CAUTION

Adjustment of high/low beams should be in accordance with local regulations. The standard is based on the light emitted when front and rear wheels touch down the ground and the rider sits on the vehicle.

All the lights are LED lights. Have your dealer replace the entire assembly if an LED is damaged or has failed.



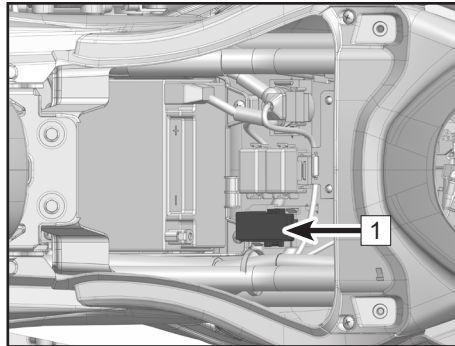
MAINTENANCE

Fuses

Fuse box **1** is under the seat, it is visible after removing the seat. If a fuse is blown, inspect the electrical system for damage and replace the fuse with the new one.

⚠ WARNING

Do not use any wire to substitute for the standard fuse. Replace a blown fuse with a new one of the same ampere. Ampere value is shown on fuse.



MAINTENANCE

CATALYTIC CONVERTER

This motorcycle is equipped with a catalytic converter in the exhaust system. Platinum and rhodium contained inside the converter will react with carbon monoxide and convert hydrocarbons into carbon dioxide and water.

For proper operation of the catalytic converter, the following cautions must be followed:

Only use unleaded gasoline. Never use leaded gasoline which will significantly reduce the service life of the catalytic converter.

Do not let the vehicle skid when the ignition switch or the stop switch is off. Do not attempt to start the engine for a longer time when the battery is low in power. When the gear is not in Neutral, do not drag the vehicle or let the piston move. Under these improper conditions, extra unburned air/fuel mixture can flow into exhaust system, accelerating the reaction with the converter which will damage the heated engine, or reduce the converter performance when the engine is cooled off.

CAUTION

Only use unleaded gasoline. Even only a little lead can damage the precious metals inside the catalytic converter, causing catalytic converter failure. Do not add anti-rust oil or engine oil into the muffler, which may result in catalytic converter failure.

MAINTENANCE

EVAPORATIVE EMISSION CONTROL SYSTEM

This vehicle is equipped with an EVAP System. Please contact a CFMOTO dealer if the EVAP System has failed. Do not modify the System, or the System will not meet requirements for environmental regulations. After disassembly and repair, tube connections should be well connected without air leakage, blocking, and tubes should be without being squeezed, broken or damaged, etc. Fuel vapors from the fuel tank are drawn into a carbon tank through an absorption tube. The fuel vapors are absorbed by active carbon in carbon tank when the engine is stopped. When the engine is running, fuel vapors absorbed in the carbon tank will flow into the engine combustion chamber and get burned, avoiding environmental pollution by preventing fuel vapors being discharged directly into the air. Meanwhile, air pressure inside the fuel tank can be balanced by the absorption tube. If inner pressure of fuel tank is lower than the outside, it can be balanced through the air tube of the carbon tank and absorption tube. In this context, all tubes should always remain clear without being blocked or squeezed, etc., and the anti-toppling valve should be mounted correctly, otherwise the fuel pump could be damaged, the fuel tank can also become deformed or broken or other parts may be damaged.

CLEANING & STORAGE

General Precautions

Always keeping your motorcycle clean and in best performance will extend the vehicle's service life. Protecting your motorcycle with a high quality, breathable motorcycle cover.

- Always clean the motorcycle after the engine and exhaust system have cooled.
- Avoid applying detergents on seals, brake pads, and tires.
- Clean the vehicle by hand. Do not use high-pressure spray.
- Avoid all chemicals, solvents, detergents, and household cleaning products like ammonium hydroxide.
- Gasoline, brake fluid, and coolant will damage painted surfaces. Wash them off with water immediately if splashed on any surface.
- Do not use metal brushes, steel wool, and all other abrasive pads or brushes to clean the vehicle.
- Be cautious when washing the windshield, headlight cover, and other plastic parts as they can be easily scratched.
- Avoid high pressure sprayers, as the water may penetrate into seals and electrical components to damage the vehicle.
- Avoid spraying water into No-water areas such as air intakes, fuel system, electrical components, muffler outlets and the fuel tank lock.

CLEANING & STORAGE

Washing the Vehicle

- Rinse the vehicle with cold water to remove any loose dirt.
- Mix a bucket of detergent (specialized for motorcycles or automobiles) with water. Use a soft cloth or sponge to wash your motorcycle. If necessary, use a mild degreaser to remove any oil or grease. Start at the top of the motorcycle and wash bottom parts last.
- After washing, rinse your motorcycle with clean water to remove any residue (residue from the detergent can damage the components of your motorcycle).
- Dry off your motorcycle with a soft cloth and inspect it for any scratches.
- Start the engine and allow it to idle for several minutes. The heat from the engine will help dry off the vehicle in moist areas.
- Carefully ride the motorcycle at low speed and apply the brake several times. This will help to dry the brakes and restore their normal operating performance.
- Lubricate the drive chain to prevent rusting.

NOTE:

When riding in areas where the roads are salted or near the ocean, clean the motorcycle after your ride with cold water immediately. Do not use warm water to wash your vehicle as it accelerates the chemical reaction of the salt. After drying the vehicle, applying an anti-rust and anti-corrosion oil to all metal unpainted surfaces. In the case of riding during a rainy day or just washing the motorcycle, spray may form on the inside of the headlight shade. If this happens, start the engine and turn on the headlight to remove the moisture.

CLEANING & STORAGE

Polishing the Surface

After washing your motorcycle, polish the painted metal and plastic surfaces with a specialized motorcycle/ automobile wax. Wax should be applied every three months or as required, to avoid the surface from having satin lines or being lackluster. Always use non-abrasive wax and apply them according to the instructions.

Windshield and Other Plastic Parts

After washing, use a soft cloth to gently dry off plastic parts. When the motorcycle is dry, use specified cleaning or glazing procedures for windshield glass, light shades and other uncoated plastic parts.

CAUTION

Plastic parts may deteriorate and break if they are exposed to chemical substances or household cleaning products such as gasoline, brake fluid, window cleaners, thread fastening glue, or other chemicals. If a plastic part is exposed to any chemical substance, wash it off with water immediately, and then inspect for damage. Avoid using abrasive pads or brushes to clean surfaces of plastic parts, as they will damage their luster.

Chrome and Aluminum

Chromium alloy and unpainted aluminum parts exposed to the air can oxidize, and thus will be lackluster. These parts should be cleaned with a detergent and polished with a lustering agent. Painted and unpainted aluminum wheels should be cleaned with specialized detergents.

Leather, Vinyl, and Rubber Products

If your motorcycle has leather accessories, use specialized detergents to clean them. Washing leather accessories with detergents and water will damage them and shorten their life.

Vinyl parts should be cleaned separately.

Tires and other rubber components should be treated with a rubber protective agent to prolong their life.

CLEANING & STORAGE

DANGER

Special care must be given to tires, and it should be noted that rubber-protective agents applied to tires will not affect their functions. If tires are not treated properly, it may decrease the adhesive force between the tire and ground, possibly causing a loss of control.

Preparation for Storage

Clean the entire vehicle thoroughly.

Run the engine for about 5 minutes, stop the engine, then empty all engine oil.

DANGER

Motorcycle oil is toxic. Dispose of used oil properly. Keep the used oil out of reach of children. If skin touches the oil it should be washed off immediately.

Replenish new engine oil.

Replenish fuel and fuel additive.

DANGER

Gasoline is extremely flammable and explosive under certain conditions. Turn the ignition key to off position before fueling. Do not smoke. Make sure the area is well ventilated and free of any source of flame or sparks and any appliance with a pilot light. Gasoline is a toxic substance. Dispose of it properly.

CLEANING & STORAGE

Reduce tire pressure at least by 20% during storage period.

Raise wheels off the ground using wood boards to keep the vehicle away from moisture.

Spray a film of engine oil on all unpainted metal surfaces to prevent rusting. Avoid spraying on rubber parts or on the brakes.

Lubricate drive chains and all cables.

Remove the battery. Store it in a cool and ventilated place. Ensure that the battery is fully charged according to the Periodic Maintenance Chart.

Wrap plastic bags over the muffler exhaust pipe to prevent moisture from entering.

Put a cover over the motorcycle to prevent dust and dirt.

Preparation After Storage

Remove the plastic bags from the muffler.

Charge the battery if necessary, then mount the battery.

Do all daily safety inspections.

Lubricate any pivot points as necessary.

Take a test ride.

COMMON PROBLEMS AND CAUSES

Problem	Component	Cause	Solution
Engine fails to start	Fuel system	No fuel in fuel tank	Refuel
		Pump blockage or damage: poor fuel quality	Clean or replace
	Ignition system	Spark plug failure: excessive carbon deposits, too long-time usage	Inspect or replace
		Spark plug cap failure: Poor contact or burning	Inspect or replace
		Ignition coil failure: poor contact or burning	Inspect or replace
		ECU failure: Poor contact or burning	Inspect or replace
		Trigger coil failure: poor contact or burning	Inspect or replace
		Stator failure: poor contact or burning	Inspect or replace
		Wiring failure: poor contact	Inspect or adjust
	Cylinder system	Starting mechanism failure: worn or damaged	Inspect or replace
		Intake and exhaust valves, and valve seats failure: too much fuel colloidal or too long-time use	Inspect or replace
		Cylinder, piston, piston ring failure: too much fuel colloidal or wear	Inspect or replace
		Intake pipe leakage: too long-time use	Inspect or replace
		Valve timing failure	Inspect or replace

COMMON PROBLEMS AND CAUSES

Insufficient power	Valve and piston	Intake and exhaust valves, excessive carbon deposits in the piston: poor fuel quality and poor oil quality	Repair or replace
	Clutch	Clutch slips; poor oil quality, too long-time use and overloading	Adjust or replace
	Cylinder and ring	Cylinder, piston rings wear; poor oil quality and too long-time use	Replace oil
	Brake	Incomplete separation of brake; too-tight brake	Adjust
	Main chain	Too-tight drive chain; improper adjustment	Adjust
	Engine	Engine overheating; too-rich or too-lean mixture, poor oil and fuel quality, shelters, etc	Adjust or replace
Insufficient power	Spark plug	Improper spark plug clearance	Adjust or replace
	Intake pipe	Air leakage of intake pipe; too long-time use	Adjust or replace
	Cylinder head	Air leakage for cylinder head or valves	Inspect or replace
	Electric system	Electrical system failure	Inspect or repair
	Air filter	Air filter clogging	Clean or adjust
Failed headlights and taillights	Cables	Poor connections	Adjust
	Left and right switches	Poor switch contact or switch damage	Adjust or replace
	Headlight	Bulb and lamp holder failure or damage	Adjust or replace
	Regulator	Poor connection or burning	Inspect or replace
	Magneto	Poor connection or burning	Inspect or replace

COMMON PROBLEMS AND CAUSES

Failed horn	Battery	No electricity	Charge or replace
	Left switch	Horn button failure or damage	Adjust or replace
	Cables	Poor contact	Adjust or repair
	Horn	Horn damage	Adjust or replace

The listed above are the common problems of a motorcycle. If your motorcycle has certain problems (especially in the electronic fuel injection system, fuel evaporation system), please contact an authorized CFMOTO dealer to inspect and repair the vehicle in time.

DANGER

Do not try to fix the problems without professional help, otherwise there may be safety risks or accidents. The user shall be responsible for any accident related to any repairs or maintenance not performed by a CFMOTO dealer.

Reporting Safety Defects

If you believe that your vehicle has a defect which could cause a crash, injury or death, you should immediately inform the National Highway Traffic Safety Administration (NHTSA) in addition to notifying CFMOTO-USA. If NHTSA receives similar complaints, it may open an investigation, and if it finds that a safety defect exists in a group of vehicles, it may order a recall and remedy campaign. Please note that NHTSA will not become involved in individual problems between you, your dealer, or CFMOTO-USA. To contact NHTSA, you may call the Vehicle Safety Hotline toll-free at 1-888-327-4236 (TTY: 1-800-424-9153); go to <http://www.safercar.gov>; or write to: Administrator, NHTSA J200 New Jersey Avenue SE, West Building, Washington DC, 20590. You can also obtain other information about motor vehicle safety from <http://www.safercar.gov>.

CFMOTO WARRANTIES FOR USA
WARRANTY INFORMATION

Change of Ownership

If you sell your vehicle, any valid remainder of the warranty can be transferred to the new owner. Please record the details of the exchange below and inform an authorized CFMOTO dealer:

Change of Ownership	Original Purchaser	2nd Owner	3rd Owner	4th Owner
Owner Name				
Address				
City				
State / Zip Code				
Telephone				
E-mail				
Date of Purchase				
Odometer Reading				
New Owner Signature				

NOTE:

If a completed Change of Ownership form does not include the required details or is inaccurate, CFMOTO reserves the right to investigate the actual ownership of the product, the service history, and possibly refuse the application for warranty transfer if the requirements have not been fulfilled.

CFMOTO WARRANTIES FOR USA

CFMOTO LIMITED WARRANTY

Dear Customer:

Thank you for purchasing a CFMOTO product. If any component on your vehicle is found to be defective in materials or workmanship within the terms and conditions of this CFMOTO Motorcycle Limited Warranty, the defective component will be repaired or replaced (at the option of CFMOTO) without charge for parts and/or labor at any authorized dealer located within the country of purchase. This warranty covers parts and labor charges for repair or replacement of defective parts and begins on the date of purchase by the original retail purchaser. This warranty is transferable to another owner during the warranty period through an authorized CFMOTO dealer, but any such transfer will not extend the original term of the warranty. The CFMOTO Limited Warranty is subject to the following terms and conditions:

WARRANTY TERMS & CONDITIONS

This CFMOTO Limited Warranty is subject to the following terms and conditions:

- 1. WARRANTY DURATION:** The duration of the warranty period is two (2) years from the date of the new vehicle purchase from an authorized CFMOTO Dealer.
- 2. WARRANTY LIMITATIONS:** This CFMOTO Limited Warranty excludes any failures that are not the result of a defect in material or workmanship. This warranty does not cover failures due to accidental damage, normal wear, abuse, or improper use. This warranty also excludes from coverage general wear items, parts exposed to friction surfaces, and parts exposed to environmental conditions or contaminants that they were not designed for. This Warranty provides no coverage for motorcycle transportation to and from the servicing dealer or loss of personal time.

CFMOTO WARRANTIES FOR USA

3. EXCLUSIONS FROM WARRANTY COVERAGE: This Warranty excludes damages or failures resulting from the following acts or circumstances:

- Fire
- Collision
- Theft
- Unavoidable natural disasters
- Improper storage or transportation
- Failure or negligence in the performance of periodic vehicle maintenance
- Improper or negligent use or operation
- Unauthorized repair or adjustment
- Unauthorized modifications or performance upgrades
- Use of vehicle as a rental vehicle or any use that generates income
- Use of vehicle in competitive or racing events
- Use of aftermarket or non-standard components
- Ingestion of foreign substances
- Accessories or attachments
- Non-recommended fuel, fluids, or lubricants

CFMOTO WARRANTIES FOR USA

4. OWNER'S RESPONSIBILITIES: The vehicle's owner must properly use, maintain, and care for the vehicle as outlined in the CFMOTO Owner's Manual. Any warranty repairs must be performed exclusively by CFMOTO authorized Dealers. Any warranty work performed by anyone other than an authorized CFMOTO Dealer will not be covered under the CFMOTO Limited Warranty policy.

5. TRANSFER OR CONTINUATION OF WARRANTY: This warranty is transferable by providing the following information to an authorized CFMOTO Dealer:

- a) The complete model and serial number as shown on the original warranty document must be provided.
- b) The name and address of the existing and new owners must be provided.
- c) The original delivery date of the vehicle must be provided.
- d) The new owner must indicate in writing that he/she has received and read the vehicle's Owner's Manual and the CFMOTO Warranty Policy.
- e) The dealer may be required by CFMOTO to provide an evaluation of the vehicle's condition prior to approval.

6. CUSTOMER ASSISTANCE: Any questions or concerns regarding your CFMOTO vehicle or related products should be directed to an authorized CFMOTO dealer. However, if a dealer is unable to address customer concerns or a product issue, CFMOTO Customer Care can be contacted directly at 763-398-2690 or 888-8CFMOTO and by e-mail: info@cfmotousa.com. Please note that CFMOTO Customer Care is not authorized to approve, modify, or deny warranty, provide technical repair data, diagnosis, instruction, or any other information beyond what is provided in the Owner's Manual.

CFMOTO WARRANTIES FOR USA

7. NOISE CONTROL SYSTEM AND TAMPERING: Federal law prohibits any of the following acts or causing thereof:

- a) The removal or rendering inoperative by any person other than for purposes of maintenance, repair, or replacement, of any device or element of design incorporated into any new vehicle for the purpose of noise control prior to its sale or delivery to the ultimate purchaser or while it is in use.
- b) The use of the vehicle after such device or element of design has been removed or rendered inoperative by any person.
- c) The use of aftermarket components or components that are not direct replacements of parts installed at the time of vehicle manufacture.
- d) Such components include but are not limited to: Mufflers, Exhaust pipes, Silencers, Air cleaner housing/case, air cleaner element, or intake duct.

8. EMISSIONS CONTROL SYSTEM WARRANTY: CFMOTO also warrants to the ultimate purchaser and each subsequent purchaser of each CFMOTO motorcycle covered by this limited warranty that the vehicle is designed, built and equipped so as to conform at the time of sale with all United States federal emission standards applicable at the time of manufacture, and that the vehicle is free from defects in materials and workmanship which would cause it not to meet those standards. Where a warrantable condition exists, CFMOTO will repair your motorcycle at no cost to you, including diagnosis, parts and labor during the warranty period described in *'Emissions Components - Warranty Period'*.

CFMOTO WARRANTIES FOR USA

Emissions Components - Warranty Period:

CFMOTO warrants that each new 2021 and later CFMOTO motorcycle that includes as standard equipment a headlight, taillight, stoplight and is street-legal, is free from defects in material and workmanship which cause such motorcycle to fail to conform with applicable regulations of the United States Environmental Protection Agency for a period of use of five (5) years or 30,000 km (18,641 miles), whichever occurs first for 300cc or above motorcycles, and a period of use of five (5) years or 12,000 km (7456 miles), whichever comes first for 125cc motorcycles.

The emissions control system warranty covers the following:

I. For exhaust emissions, emission-related components include any engine parts related to the following systems:

- Air-induction system
- Fuel system
- Ignition system
- Exhaust gas recirculation systems

II. The following parts are also considered emission-related components for exhaust emissions:

- Aftertreatment devices
- Crankcase ventilation valves
- Sensors
- Electronic control units

CFMOTO WARRANTIES FOR USA

III. The following parts are considered emission-related components for evaporative permeation emissions (If applicable):

- Fuel Tank
- Fuel Cap
- Fuel Line
- Fuel Line Fittings

IV. Emission-related components also include any other part whose primary purpose is to reduce emissions or whose failure would commonly increase emissions without significantly degrading engine/equipment performance.

9. DISCLAIMER: NO OTHER WARRANTY IS PROVIDED BY CFMOTO WITH RESPECT TO CFMOTO MOTORCYCLES EXCEPT AS SPECIFICALLY SET FORTH HEREIN. ANY IMPLIED WARRANTY, WARRANTY OF MERCHANTABILITY, WARRANTY OF FITNESS FOR A PARTICULAR PURPOSE, AND ALL IMPLIED WARRANTIES ARISING FROM A COURSE OF DEALING, USAGE OF TRADE, BY STATUTE OR OTHERWISE, ARE HEREBY STRICTLY LIMITED TO THE TERMS OF THIS WRITTEN MOTORCYCLE LIMITED WARRANTY.

CFMOTO WARRANTIES FOR USA

10. INTEGRATION: This limited warranty supersedes any and all oral, express, or written warranties, statements, or undertakings that may previously have been made, and contains the entire agreement of the parties with respect to the warranty of CFMOTO vehicles. Any and all warranties not contained in this Agreement are specifically excluded. This limited warranty shall be the sole and exclusive remedy available to the customer with respect to the covered CFMOTO vehicle. In the event of any alleged breach of any warranty or any legal action brought by the customer based on alleged negligence or other conduct by CFMOTO, or its related parties, the customer's sole and exclusive remedy will be repair or replacement of defective components as stated above, unless otherwise provided by law. Some states do not allow limitations on how long an implied warranty lasts, so the above limitations may not apply if they are deemed inconsistent with the controlling state law.

CFMOTO WARRANTIES FOR USA
CALIFORNIA EMISSION CONTROL WARRANTY STATEMENT
YOUR WARRANTY RIGHTS AND OBLIGATIONS

In California, new motor vehicles must be designed, built and equipped to meet the State's stringent anti-smog standards. CFMOTO Powersports, Inc. must warrant the emission control systems on your motorcycle for the periods of time listed below provided there has been no abuse, neglect or improper maintenance of your motorcycle.

Your emission control system may include parts such as the carburetor or fuel-injection system, the ignition system, catalytic converter, and engine computer. Also included may be hoses, belts, connectors, and other emission-related assemblies. Where a warrantable condition exists, CFMOTO Powersports, Inc. will repair your motorcycle at no cost to you including diagnosis, parts, and labor.

MANUFACTURER'S WARRANTY COVERAGE:

For 30,000 km or 5 years whichever first occurs.

If any emission-related part on your motorcycle is defective, the part will be repaired or replaced by CFMOTO Powersports, Inc. This is your emission control system DEFECTS WARRANTY.

CFMOTO WARRANTIES FOR USA

OWNER'S WARRANTY RESPONSIBILITIES:

- As the motorcycle owner, you are responsible for the performance of the required maintenance listed in your owner's manual. CFMOTO Powersports, Inc. recommends that you retain all receipts covering maintenance on your motorcycle, but CFMOTO Powersports, Inc. cannot deny warranty solely for the lack of receipts or for your failure to ensure the performance of all scheduled maintenance.
- You are responsible for presenting your motorcycle to a CFMOTO Powersports, Inc. dealer as soon as a problem exists. The warranty repairs should be completed in a reasonable amount of time, not to exceed 30 days.
- As the motorcycle owner, you should also be aware that CFMOTO Powersports, Inc. may deny you warranty coverage if your motorcycle or a part has failed due to abuse, neglect, improper maintenance, or unapproved modifications.

If you have any questions regarding your warranty rights and responsibilities, you should contact CFMOTO Powersports, Inc. at (763) 398-2690 or the California Air Resource Board at 4001 Iowa Avenue, Riverside, CA 92507.

GENERAL TORQUE CHART

Type	Torque (N•m)	Type	Torque (N•m)
M5 bolt and nut	5±1	M5 screw	4±1
M6 bolt and nut	10±1	M6 screw	9±1
M8 bolt and nut	20~30	M6 flange bolt and nut	12±1
M10 bolt and nut	30~40	M8 flange bolt and nut	20~30
M12 bolt and nut	40~50	M10 flange bolt and nut	30~40

CRUCIAL TORQUE CHART

Type	Thread	Number	Tightening Torque (N•m)	Thread-locker
Engine LH front mounting bolt	M10 × 1.5 × 70	1	45~50	Yes
Engine RH front mounting bolt	M10 × 1.5 × 22	1	45~50	Yes
Engine RH middle mounting bolt	M10 × 1.5 × 22	1	45~50	Yes
Engine LH middle mounting bolt	M10 × 1.5 × 45	1	45~50	Yes
Engine rear upper mounting bolt	M10 × 1.25 × 150	1	45~50	Yes
Engine rear lower mounting bolt	M10 × 1.25 × 170	1	45~50	Yes
Sub-frame mounting bolt	M10 × 1.25 × 20	4	40~50	Yes
Upper or lower triple clamp and shock absorbers tightening bolt	M8 × 1.25 × 30	6	20 ~ 25	Yes
Upper triple clamp steering column locking bolt	M8 × 1.25 × 30	1	20 ~ 25	Yes

Upper triple clamp upper side tightening screw	M25 × 1.5	1	20 ~ 25N.m (Before lock the upper triple clamp shock absorbers tightening bolt)	No
Front shock absorber lower side and front axle tightening screw	M8 × 25	2	20 ~ 25	Yes
Rear shock absorber upper side and frame connecting bolt	M10 × 1.25 × 50	1	45~50	No
Rear shock absorber lower side and A-shape swing arm connecting bolt	M10 × 1.25 × 50	1	45~50	No
A-shape swing arm upper side and rear fork connecting bolt	M12 × 1.25 × 80	1	60	No
A-shape swing arm lower side and rod connecting bolt	M12 × 1.25 × 110	1	60	No
Rod assembly and frame connecting bolt	M10 × 1.25 × 130	1	45~50	Yes
Front axle	M16 × 1.5	1	75 ~ 85	No
Tooth ring, brake disc and rim bolt	M8 × 28	9	25 ~ 30	Yes
Brake pipe and front caliper bolt	M10 × 1.0	1	38 ~ 42	No
Front caliper and front shock absorber bolt	M10 × 1.25	2	40 ~ 45	Yes
Brake pipe and hand pump bolt	M10 × 1.0	1	38 ~ 42	No

Brake pipe and ABS bolt	M10 × 1.0	4	38 ~ 42	No
Brake pipe and rear caliper bolt	M10 × 1.0	1	38 ~ 42	No
Brake pipe and foot pump bolt	M10 × 1.0	1	38 ~ 42	No
Rear brake master cylinder and RH front footrest bracket bolt	M6 × 25	2	10	Yes
Rear fluid reservoir and frame bolt	M6 × 16	1	8	No
Brake pedal lever assembly and right footrest bracket bolt	M8 × 25	1	25	Yes
Hand bump fluid reservoir, mounting bracket tightening bolt	M8 × 1.25	1	25	Yes
Tightening handlebar lower bracket screw	M10 × 60	2	45	No
Tightening handlebar upper bracket screw	M8 × 25	4	20	No
Balancing block mounting screw	M8 × 50	2	20	No
Rear axle tightening nut	M16 × 1.5	1	105 ~ 110	No
Big sprocket tightening bolt	M8 × 30	6	35 ~ 40	No
Gearshift swing arm and engine axle tightening bolt	M6 × 22	1	Until tightened	Yes
Joint bearing and gearshift pedal and swing arm bolt	M6 × 16	2	6	Yes
Gearshift connecting rod adjusting nut	M6/M6LH	2	6	No

Gearshift pedal and front footrest bracket bolt	M8 × 25	1	20	Yes
Gearshift pedal and footrest connecting bolt	M8	1	25	Yes
Front pedal bracket and rear fork shaft bolt	M12 × 35	2	110	No
Front footrest bracket and frame bolt	M8 × 30	2	25	Yes
Rear footrest bracket and frame bolt	M8 × 20	4	25	Yes
Reservoir mounting bolt bolt	M6 × 25	2	9	No
Radiator lower side and connecting bracket assembly bolt	M6 × 25	1	5	No
Radiator upper side and connecting bracket bolt	M8 × 30	1	20	No
Front brake caliper mounting bolt	M10 × 1.25 × 60	2	45 ~ 50	Yes

TELEMATICS BOX

T-BOX is an optional part, and when you purchase a vehicle, you'd better check with dealer if it's equipped with a telematics box, or T-BOX.

The T-Box is an intelligent vehicle terminal that builds a communication bridge between owners and vehicles through the CFMOTO RIDE APP installed on a mobile device. The CFMOTO RIDE APP is available for download from the Apple App Store for iPhone or Google Play for Android.



Scan the QR code to download
CFMOTO RIDE APP

TABLE DES MATIÈRES

AVANT-PROPOS	168
Système EVAP (système de recyclage des vapeurs de carburant)	170
Convertisseur catalytique	174
INTRODUCTION	174
NUMÉRO D'IDENTIFICATION DU VÉHICULE (VIN) ET NUMÉRO DE SÉRIE DU MOTEUR	176
SPÉCIFICATIONS.....	177
SÉCURITÉ DE L'UTILISATEUR.....	180
Mesures de sécurité générales	180
Modifications de l'équipement	181
Responsabilité du propriétaire	182
Équipement de sécurité pour la conduite	187
ÉVITEZ LES COMPORTEMENTS DE CONDUITE DANGEREUX	191
AUTOCOLLANTS DE SÉCURITÉ ET LEURS EMPLACEMENTS.....	196
VUE GLOBALE DU VÉHICULE	198
Vue côté droit	198
Vue côté gauche	199
Vue de dessus.....	200

COMMANDES ET CARACTÉRISTIQUES	201
Éléments fonctionnels	201
Levier d'embrayage	201
Levier de frein avant.....	201
Commutateur de guidon, côté gauche	202
Commutateur de guidon, côté droit.....	203
Poignée d'accélérateur.....	203
Verrouillages	204
Sélecteur de vitesse	206
Pédale de frein arrière.....	207
Béquille latérale.....	207
Poignée de retenue et repose-pieds passager	208
INSTRUMENT DU TABLEAU DE BORD	209
Instrumentation (écran d'affichage).....	209
Activation et essai	209
Indicateurs du tableau de bord.....	210
Menu du tableau de bord	210
UTILISATION DU VÉHICULE.....	250
Période de rodage.....	250
Inspection quotidienne de sécurité.....	251

Préparation au démarrage	254
Démarrage de la moto	255
Passage des vitesses et conduite	255
Freinage	257
Stationnement	258
CONDUITE DU VÉHICULE EN TOUTE SÉCURITÉ	259
Technique de conduite de la moto en toute sécurité	259
Précautions supplémentaires pour la conduite à grande vitesse	261
ENTRETIEN	262
Définition d'une utilisation abusive	263
Points clés du calendrier de lubrification	264
Calendrier d'entretien durant la période de rodage	265
Calendrier d'entretien périodique	268
JEU DU LEVIER D'EMBRAYAGE	274
AJUSTEMENT DU LEVIER DES VITESSES	275
TROUSSE À OUTILS	275
CIRCUIT D'ALIMENTATION DE CARBURANT	276
Réservoir de carburant	276
Exigences en matière de carburant	278
Indice d'octane (RON)	278

ENSEMBLE MOTEUR.....	279
Vérification du niveau de l'huile moteur.....	280
Changement de l'huile et du filtre à huile	281
Capacité du réservoir d'huile moteur.....	283
Bougie d'allumage.....	284
Régime de ralenti	284
SYSTÈME D'ADMISSION D'AIR ET D'ÉCHAPPEMENT	285
Système de détection des gaz d'échappement.....	285
Valve d'admission d'air	285
Jeu des soupapes	286
Filtre à air	287
Corps du papillon	287
SYSTÈME DE REFROIDISSEMENT.....	288
Radiateur et ventilateur	288
Durites du radiateur.....	288
Liquide de refroidissement.....	289
Vérification du niveau de liquide de refroidissement.....	291
Remplissage du liquide de refroidissement	292
PNEUS ET CHÂÎNE.....	293
Spécifications des pneus	293

Indice de charges des pneus	295
Frottement des pneus	295
Vérification de la chaîne de transmission.....	297
Ajustement de la tension de la chaîne	299
SYSTÈME DE FREINAGE.....	301
Vérifications du levier de frein avant	301
Vérification de la pédale de frein arrière	302
Vérification du niveau de liquide des freins.....	303
Remplissage du liquide de frein	303
Vérification des disques de frein	307
Vérification des étriers de frein.....	307
Système de freinage antiblocage (ABS)	309
AMORTISSEURS.....	310
Vérification des amortisseurs	310
Ajustement de l'amortisseur arrière	311
CIRCUIT ÉLECTRIQUE ET FEUX DE SIGNALISATION.....	312
Batterie.....	312
Démontage de la batterie	315
Remontage de la batterie	315
Feux de signalisation du véhicule	317
Fusibles.....	318

CONVERTISSEUR CATALYTIQUE	319
SYSTÈME EVAP (SYSTÈME DE RECYCLAGE DES VAPEURS DE CARBURANT).....	320
NETTOYAGE ET REMISAGE DE LA MOTO	321
Précautions générales	321
Lavage de la moto.....	322
Protection de la surface	323
Pare-brise et autres pièces en plastique.....	323
Chrome et aluminum.....	323
Préparation pour le remisage.....	324
Préparation après le remisage	326
PROBLÈMES GÉNÉRAUX ET CAUSES POSSIBLES	327
Signalement de défauts compromettant la sécurité	331
INFORMATION SUR LA GARANTIE	332
Changement de propriétaire	332
GARANTIE LIMITÉE DE CFMOTO	333
TABLEAU GÉNÉRAL DES COUPLES DE SERRAGE	342
TABLEAU DES COUPLES DE SERRAGE ESSENTIELS.....	342
BOÎTIER TELEMATICS (T-BOX).....	346

AVANT-PROPOS

Nous vous félicitons pour votre achat d'un véhicule CFMOTO et vous souhaitons la bienvenue dans la grande famille des passionnés de CFMOTO. Assurez-vous de nous visiter en ligne sur www.cfmoto.com pour connaître les dernières nouvelles, les lancements de nouveaux produits, les futurs événements, et plus encore.

CFMOTO est une entreprise internationale qui se spécialise dans le développement, la fabrication et la commercialisation de véhicules tout-terrain, de véhicules utilitaires, de motocyclettes grosses cylindrées et de leurs principales pièces. Fondée en 1989, CFMOTO se consacre au développement d'une exploitation indépendante de sa marque et de l'innovation en recherche-développement. Les produits CFMOTO sont actuellement distribués dans le monde entier par plus de 2000 partenaires dans plus d'une centaine de pays et de régions. CFMOTO se hisse peu à peu au rang des leaders mondiaux dans le secteur des sports motorisés et vise à offrir globalement des produits de grande qualité aussi bien aux concessionnaires qu'aux enthousiastes de ces sports.

Pour une utilisation optimale et sans danger de votre véhicule, veuillez lire attentivement et respecter les instructions et recommandations contenues dans ce Manuel du propriétaire. Ce manuel contient également les instructions nécessaires à l'entretien courant. Des informations sur les réparations importantes sont décrites dans le Manuel d'entretien de CFMOTO.

Votre concessionnaire CFMOTO connaît parfaitement votre véhicule et ne recherche que votre entière satisfaction. Assurez-vous de vous rendre chez votre concessionnaire pour tous vos besoins d'entretien et de réparation durant et après la période de garantie.

Compte tenu des améliorations constantes apportées à la conception et à la fabrication des composants de nos modèles, certaines différences mineures peuvent exister entre le véhicule que vous possédez et les informations présentées dans ce manuel.

Les descriptions et/ou les procédures présentées ici sont fournies uniquement à titre de référence.

AVANT-PROPOS

Avant chaque sortie, veuillez inspecter votre véhicule et suivre les procédures d'entretien de base avant la conduite. Veuillez conserver ce manuel dans votre véhicule, même lorsque vous transférez le véhicule à un autre propriétaire.

Zhejiang CFMOTO Power Co., Ltd se réserve les droits d'interprétation définitifs du manuel du propriétaire. Ce manuel porte sur les véhicules CF400-7US.

DANGER

L'utilisation, l'entretien et la maintenance des véhicules routiers et hors-route peuvent vous exposer à des produits chimiques tels que les gaz d'échappement du moteur, le monoxyde de carbone, les phtalates et le plomb, qui sont reconnus comme susceptibles de causer le cancer et des anomalies congénitales, ou de nuire au système reproducteur. Afin de minimiser l'exposition, évitez de respirer les gaz d'échappement, évitez de faire tourner le moteur au ralenti plus que nécessaire, entretenez le véhicule dans un endroit bien ventilé et portez des gants ou lavez-vous fréquemment les mains lors de l'entretien du véhicule. Pour obtenir de plus amples détails, visitez le site : www.p65warnings.ca.gov

AVANT-PROPOS

Système EVAP (système de recyclage des vapeurs de carburant)

(Si le véhicule en est équipé)

Lorsque la réglementation relative aux émissions dans l'environnement l'exige, ce véhicule est équipé d'un système de recyclage des vapeurs de carburant (EVAP) afin d'éviter que les vapeurs provenant du réservoir et du circuit de carburant s'échappent dans l'atmosphère.

Durant l'entretien régulier, vérifiez visuellement tous les raccords de tuyau pour déceler d'éventuelles fuites ou obstructions. Assurez-vous que les tuyaux ne sont ni obstrués ni pliés, car cela risquerait d'endommager la pompe à essence ou de déformer le réservoir de carburant. Aucun autre entretien n'est nécessaire.

Contactez votre concessionnaire si une réparation est nécessaire. Ne modifiez pas le système EVAP. Modifier n'importe quelle partie de ce système est une violation des règlements relatifs aux émissions dans l'environnement.

AVANT-PROPOS

Convertisseur catalytique

ATTENTION : Veuillez porter attention aux points suivants pour protéger votre convertisseur catalytique :

- Utilisez seulement de l'essence sans plomb. Une essence qui contient même un peu de plomb pourrait endommager les métaux réactifs dans le convertisseur catalytique et le désactiver.
- N'ajoutez jamais d'huile antirouille ou d'huile moteur dans le silencieux, car cela risquerait d'endommager le convertisseur catalytique.

REMARQUE

Certains dispositifs décrits dans ce manuel peuvent ne pas s'appliquer aux modèles vendus dans votre région.

Toutes les descriptions et instructions fournies le sont du point de vue du conducteur correctement assis sur sa machine.

Les informations présentées dans ce manuel sont basées sur la plus récente production disponible au moment de la mise sous presse.

CFMOTO se réserve le droit de modifier les caractéristiques, les spécifications et les éléments du produit sans préavis ni obligation envers l'acheteur.

AVANT-PROPOS

Mentions d'avertissement

Une mention d'avertissement vise à attirer l'attention sur un ou plusieurs messages relatifs à la sécurité, sur un ou plusieurs messages relatifs à des dommages matériels, et désigne le degré ou niveau de gravité du risque. Les mentions d'avertissement standard dans ce manuel sont : **DANGER, AVERTISSEMENT, ATTENTION** et **REMARQUE**.

Les mentions d'avertissement et symboles suivants apparaissent dans tout ce manuel de même que sur votre véhicule. Votre sécurité est en jeu lorsque ces mentions et symboles sont utilisés. Habituez-vous à leurs significations avant de lire le présent manuel :

DANGER

Cette icône et alerte de sécurité indique un danger potentiel qui peut entraîner des blessures graves ou mortelles.

AVERTISSEMENT

Cette icône et alerte de sécurité indique un danger potentiel qui peut entraîner des blessures légères ou de gravité modérée et/ou causer des dommages au véhicule.

ATTENTION

Cette icône et alerte de sécurité indique un danger potentiel qui peut causer des dégâts matériels au véhicule.

REMARQUE

Une remarque ou un avis attire votre attention sur des informations ou des instructions importantes .

AVANT-PROPOS

LISEZ ATTENTIVEMENT LE MANUEL DU PROPRIÉTAIRE CONFORMEZ-VOUS AUX INSTRUCTIONS ET AUX AVERTISSEMENTS

AVERTISSEMENT

Lisez, comprenez et conformez-vous à toutes les instructions et mesures de sécurité décrites dans ce manuel et indiquées sur tous les autocollants apposés sur le véhicule. Tout manquement aux mesures de sécurité peut entraîner des blessures graves ou mortelles.

AVERTISSEMENT

Les gaz d'échappement de ce véhicule contiennent du CO, un gaz très toxique pouvant provoquer des maux de tête, des étourdissements ou des pertes de conscience, voire la mort.

INTRODUCTION

Merci d'avoir choisi un véhicule CFMOTO et bienvenue au sein de notre famille mondiale des passionnés de CFMOTO. Pour une utilisation optimale et sans danger de votre véhicule, veuillez lire attentivement et respecter les instructions et recommandations contenues dans ce Manuel du propriétaire. Des informations sur les réparations importantes sont décrites dans le Manuel d'entretien de CFMOTO. Ces réparations ne doivent être effectuées que par un technicien d'entretien accrédité auprès du concessionnaire CFMOTO. Assurez-vous de confier à votre concessionnaire CFMOTO tous les entretiens et réparations pendant et après la période de garantie.

Si vous avez des questions ou des préoccupations à propos de votre véhicule :

Toute question ou préoccupation liée à votre véhicule doit être adressée en premier lieu à votre concessionnaire CFMOTO. Votre concessionnaire CFMOTO connaît parfaitement votre véhicule et ne recherche que votre entière satisfaction. Au cas où votre concessionnaire local n'est pas en mesure de résoudre un problème ou une anomalie du produit, vous pouvez vous adresser à un conseiller du service à la clientèle de CFMOTO selon votre lieu de résidence.

Pour les États-Unis : Veuillez contacter CFMOTO POWERSPORTS, INC. par téléphone au 763-398-2690, par courriel info@cfmotousa.com, ou en ligne sur <https://cfmotousa.com/customer-care/customer-care-contact>. Veuillez noter que le service à la clientèle n'a pas l'autorité d'approuver ou de refuser la garantie, et ne peut fournir ni données techniques, ni diagnostic ou instructions sur la réparation.

INTRODUCTION

Pour le CANADA : Veuillez contacter CANADA MOTOR IMPORT INC. par téléphone au 1-418-227-2077, ou en ligne sur <https://www.cfmoto.ca/fr/entretien/>.

Pour toute préoccupation liée à la sécurité de votre véhicule canadien, vous pouvez en aviser la Division Normes de service – Division des enquêtes sur les défauts et rappels de Transport Canada, par la poste, par téléphone ou en ligne en utilisant les coordonnées ci-dessous :

Adresse postale : Transport Canada – ASFAD, 330, rue Sparks, Ottawa (ON) K1A 0N5

Téléphone : 819-994-3328 (régions d'Ottawa-Gatineau ou international) ou sans frais : 1-800-333-0510 (au Canada)

En ligne : <http://www.tc.gc.ca/rappels>

INTRODUCTION

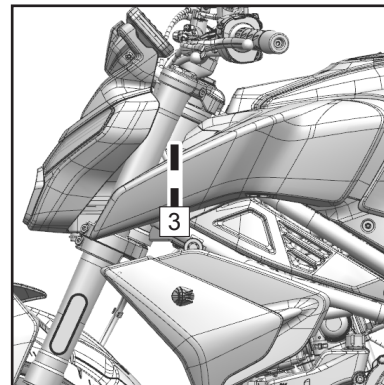
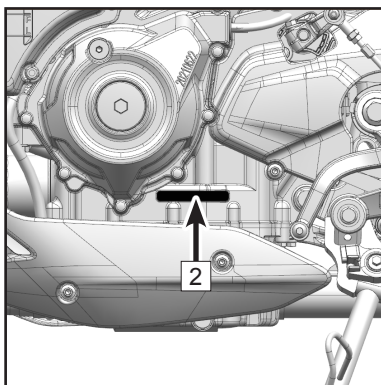
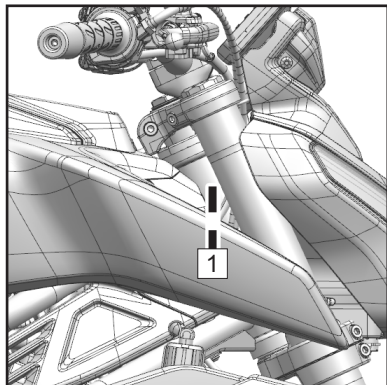
NUMÉROS D'IDENTIFICATION DU VÉHICULE (VIN) ET NUMÉRO DE SÉRIE DU MOTEUR

Notez le numéro d'identification du véhicule et le numéro de série du moteur ci-dessous.

Numéro d'identification du véhicule (VIN) : _____

Numéro de série du moteur : _____

Numéro de la plaque signalétique : _____



1	NO DE VIN	2	NO SÉRIE MOTEUR	3	PLAQUE SIGNALÉTIQUE
---	-----------	---	-----------------	---	---------------------

SPÉCIFICATIONS

	450NK
	CF400-7US
Performance	
Puissance maximale	49,6 HP (37 kW) / 9500 tr/min
Couple maximal	28,8 pi-lb (39 N•m) / 7600 tr/min
Rayon minimum de braquage	16 pi (5 m)
Vitesse nominale maximale	110 mi/h (178 km/h)
Taille	
Longueur	78,5 po (1995 mm)
Largeur	31,7 po (805 mm)
Hauteur	45,3 po (1150 mm)
Empattement	53,7 po (1365 mm)
Hauteur de la selle	31,3 po (795 mm)
Garde au sol	7,6 po (192 mm)
Poids à vide	374,8 lb (170 kg)
Moteur	
Type	2 cylindres en parallèle, 4 temps, à refroidissement par eau
Cylindrée	499 mL
Alésage x course	2,83 po × 2,17 po (72 mm × 55,2 mm)
Taux de compression	11,5 : 1
Système de démarrage	Démarreur électrique

SPÉCIFICATIONS

Système d'alimentation de carburant	Injection électronique (EFI)	
Système de commande de l'allumage	Par projection / sous pression	
Système de graissage	2,64 pintes (2,5 L)	
Capacité d'huile moteur	SAE 10W-40 JASO MA2	
Type d'huile moteur	40,6 oz (1200 mL) + environ 6,8 oz (200 mL) (réservoir)	
Capacité du liquide de refroidissement	1400 tr/min \pm 140 tr/min	
Régime ralenti	1400 RPM \pm 140 RPM	
Transmission		
Type de transmission	6 vitesses, sélecteur de vitesse standard (international)	
Type d'embrayage	À huile, multi-disques, type coulissant	
Système d'entraînement	Transmission par chaîne	
Rapport de réduction primaire	2,088	
Rapport de réduction final	2,929	
Rapport de vitesse	1 ^{ère}	2,929
	2 ^{ème}	2,056
	3 ^{ème}	1,579
	4 ^{ème}	1,333
	5 ^{ème}	1,154
	6 ^{ème}	1,037

SPÉCIFICATIONS

Châssis		
Taille des pneus	Avant	110 / 70 R17 M/C
	Arrière	150/60 R17 M/C
Taille des jantes	Avant	MT 3.0 × 17
	Arrière	MT 4.0 × 17
Capacité du réservoir de carburant	3,70 gal (14 L)	
Consommation de carburant / 100 km	≤1,30 gal (4,8 L)	
Composants électriques		
Batterie	12 V / 12 Ah	
Phares	DEL	
Feu clignotant	DEL	
Feu rouge arrière	DEL	

SÉCURITÉ DE L'UTILISATEUR

Mesures de sécurité générales

AVERTISSEMENT

Tout non-respect des avertissements contenus dans ce manuel peut entraîner des blessures graves, voire mortelles. Ce véhicule n'est pas un jouet et son utilisation présente des dangers.

Avant d'utiliser le véhicule, lisez attentivement ce Manuel du propriétaire et comprenez tous les avertissements et les précautions liés à la sécurité, ainsi que les modes opératoires.

Restrictions de conduite

Ce véhicule est un VÉHICULE POUR ADULTES SEULEMENT. L'utilisateur doit détenir un permis de conduire approprié et valide, conforme aux lois et règlements en vigueur.

Connaissez votre véhicule

En tant qu'utilisateur du véhicule, vous êtes responsable de votre propre sécurité, de celle des autres, et de la protection de l'environnement. Lisez et comprenez ce Manuel du propriétaire car il inclut de précieuses informations sur tous les aspects de votre véhicule, y compris des procédures d'utilisation sécuritaires.

SÉCURITÉ DE L'UTILISATEUR

Modifications de l'équipement

Chez CFMOTO, nous prenons à cœur la sécurité de nos utilisateurs et du public en général. Par conséquent, nous recommandons vivement de ne pas installer sur votre véhicule des équipements ou accessoires susceptibles d'augmenter la vitesse maximale du véhicule ou sa puissance, ou de modifier le véhicule dans ce but. Toute modification apportée à l'équipement d'origine de votre véhicule pourrait créer un grave danger au niveau de la sécurité et augmenter le risque de graves blessures. La garantie de votre véhicule CF MOTO devient nulle si un quelconque équipement accessoire non approuvé est ajouté au véhicule, ou si une quelconque modification est faite sur le véhicule aux fins d'en augmenter la puissance ou la vitesse.

REMARQUE :

Ces modifications incluent tout équipement spécifique capable de changer la maniabilité et la performance du véhicule, y compris mais sans y être limités, les coffres latéraux, le système d'échappement, les roues latérales, etc. Utilisez seulement l'équipement approuvé et familiarisez-vous avec leurs fonctions et leurs rôles sur le véhicule.

SÉCURITÉ DE L'UTILISATEUR

Évitez l'intoxication par le monoxyde de carbone

Les gaz d'échappement de tous les moteurs à essence contiennent du monoxyde de carbone qui est un gaz mortel. Respirer du monoxyde de carbone peut causer des maux de tête, le vertige, la somnolence, la nausée, la confusion et par la suite même la mort.

Le monoxyde de carbone est un gaz incolore, inodore et sans saveur qui peut être présent même si vous ne voyez ni ne sentez aucun échappement du moteur. Le monoxyde de carbone peut s'accumuler rapidement à des niveaux mortels et vous pouvez vite être étouffé au point de n'avoir pas assez de temps pour être soigné. En outre, les niveaux mortels de monoxyde de carbone peuvent stagner pendant pour des heures ou même des jours dans des lieux clos ou mal aérés.

Pour empêcher les blessures graves ou mortelles causées par le monoxyde de carbone :

- Ne faites jamais tourner le moteur du véhicule dans des lieux mal aérés ou partiellement clos.
- Ne faites jamais tourner le moteur du véhicule à l'extérieur où l'échappement du moteur risque d'être aspiré dans un bâtiment par des ouvertures telles que fenêtres et portes.

SÉCURITÉ DE L'UTILISATEUR

Évitez les incendies et autres risques causés par l'essence

L'essence est extrêmement inflammable et ses vapeurs hautement explosives. Des vapeurs d'essence peuvent s'étendre et s'embraser en présence d'une étincelle ou d'une flamme même à plusieurs pieds du moteur. Pour réduire le risque d'incendie ou d'explosion, suivez ces instructions :

- Utilisez seulement un récipient homologué pour stocker du carburant.
- Respectez rigoureusement les procédures de remplissage appropriées.
- Ne faites jamais démarrer ou fonctionner le moteur si le bouchon du réservoir de carburant n'est pas correctement installé. L'essence est toxique et peut entraîner des blessures ou la mort.
- Ne siphonnez jamais de l'essence par la bouche.
- Si vous avalez de l'essence, recevez de l'essence dans les yeux ou inhalez des vapeurs d'essence, consultez un médecin dans les plus brefs délais.
- Si de l'essence se renverse sur vous, lavez immédiatement avec de l'eau et du savon, et changez vos vêtements.

Avertissements et sécurité relativement à l'indice d'octane minimum du carburant

Le carburant recommandé pour votre véhicule est une essence super ou intermédiaire à indice d'octane de 87 minimum, (un mélange contenant jusqu'à 10% d'éthanol est permis). Du carburant non oxygéné (sans éthanol) est recommandé pour la meilleure performance dans toutes les conditions.

SÉCURITÉ DE L'UTILISATEUR

AVERTISSEMENT

- L'essence est très inflammable et explosive dans certaines conditions.
- Laissez le moteur et le pot d'échappement se refroidir avant de remplir le réservoir.
- Redoublez toujours de prudence toutes les fois que vous manipulez de l'essence.
- Faites toujours le plein avec le moteur arrêté, et à l'extérieur ou dans un lieu bien ventilé.
- Ne fumez pas et évitez à tout prix les flammes nues ou les étincelles dans ou à proximité de l'endroit où vous faites le plein, ou du lieu où de l'essence est entreposée.
- Ne remplissez pas le réservoir excessivement. Ne remplissez pas le réservoir à ras bord.
- Si de l'essence se renverse sur votre peau ou vos vêtements, lavez immédiatement avec de l'eau et du savon, et changez vos vêtements.
- Ne mettez jamais le moteur en marche ou ne le laissez jamais tourner dans des lieux clos. Les gaz d'échappement du moteur sont toxiques et peuvent entraîner une perte de conscience ou la mort en peu de temps.
- Les gaz d'échappement du moteur de ce véhicule contiennent des produits chimiques reconnus comme pouvant causer le cancer, des anomalies congénitales ou d'autres dommages de l'appareil reproducteur. Utilisez ce véhicule seulement à l'extérieur ou dans des zones bien ventilées.

SÉCURITÉ DE L'UTILISATEUR

Responsabilités du propriétaire

Évitez les brûlures causées par des pièces très chaudes

Le pot d'échappement et le moteur deviennent brûlants durant leur fonctionnement. Évitez tout contact avec ces pièces pendant et peu de temps après l'utilisation du véhicule afin de prévenir des brûlures.

Soyez qualifié et responsable

Lisez très attentivement ce Manuel du propriétaire et comprenez les autocollants d'avertissement sur ce véhicule. Suivez, si disponible, un cours de formation sur la conduite sécuritaire en terrain découvert. Entraînez-vous à conduire à de basses vitesses pour commencer. Les vitesses plus élevées exigent une expérience et des connaissances plus grandes, ainsi que des conditions de conduite appropriées. Familiarisez-vous totalement avec les commandes générales d'utilisation et de contrôle du véhicule.

Ce véhicule est un VÉHICULE POUR ADULTES SEULEMENT. L'utilisateur doit détenir un permis de conduire approprié et valide conformément aux lois et règlements en vigueur. Le pilote doit être assez grand et capable : d'être bien appuyé contre le dossier, de tenir le guidon des deux mains, d'actionner à fond le levier d'embrayage avec la main gauche, d'actionner à fond le levier de freinage avec la main droite, d'actionner à fond la pédale de frein avec le pied droit, et d'être également capable de poser les deux pieds sur le repose-pieds et d'équilibrer le véhicule, durant un arrêt, en utilisant les pieds.

SÉCURITÉ DE L'UTILISATEUR

Transport d'un passager

- Un seul passager est admis ; il doit être correctement assis sur le siège passager.
- Le passager doit être âgé d'au moins 12 ans et être assez grand pour rester toujours bien assis en agrippant les poignées de retenue, et pour avoir les pieds bien plantés sur les repose-pieds.
- Ne transportez jamais un passager qui se trouve sous l'emprise de médicaments, de drogues ou d'alcool, ou bien s'il est fatigué ou malade. Une telle emprise réduit le temps de réaction et altère le jugement.
- Assurez-vous que le passager lise et comprenne bien tous les autocollants et étiquettes de sécurité du véhicule.
- Ne transportez jamais un passager si vous jugez qu'il n'a pas l'aptitude ou le jugement suffisant pour se concentrer sur les conditions du terrain et s'adapter en conséquence.

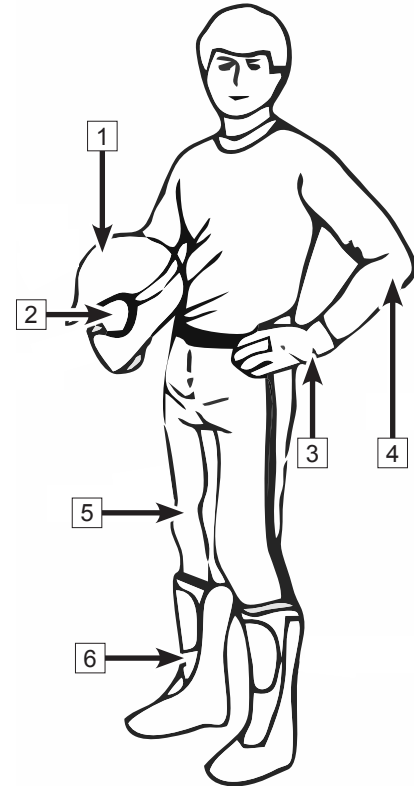
SÉCURITÉ DE L'UTILISATEUR

Équipement de sécurité pour la conduite

Le pilote et le passager doivent toujours porter des vêtements et équipements adaptés au type de conduite. Ceci comprend :

- 1 Un casque de protection approuvé
- 2 Une protection oculaire
- 3 Des gants
- 4 Un chandail à manches longues
- 5 Un pantalon long
- 6 Des bottes montant au-dessus des chevilles

Selon les conditions météorologiques réelles, vous aurez besoin d'équipement supplémentaire tel qu'une protection oculaire antibuée, des sous-vêtements thermiques et une protection faciale pour le temps froid. L'utilisateur ne doit jamais porter de vêtements amples ou lâches qui risquent de rester pris dans le véhicule ou sur des branches d'arbre ou des arbustes.



SÉCURITÉ DE L'UTILISATEUR

Casque et protection des yeux

Un casque homologué peut, en cas d'accident, éviter de graves blessures à la tête. Veuillez noter que même le meilleur casque du marché ne constitue pas une garantie contre des blessures.

Le casque que vous choisissez doit répondre aux normes en vigueur dans votre pays ou région. Un casque intégral avec écran facial reste ce qu'il y a de mieux pour se protéger des impacts d'insectes, des projections de petits cailloux, de la poussière, des débris volants, etc.

Un casque ouvert n'est pas en mesure d'offrir la même protection pour votre visage et vos mâchoires. Si vous optez pour un casque ouvert, portez un écran facial amovible et des lunettes de protections.

Ne vous fiez pas à des lunettes de vue ou de soleil pour la protection oculaire, car elles ne sont pas conçues pour protéger contre les impacts. Des débris volants risquent de briser les lentilles, causant des blessures aux yeux.

N'utilisez des écrans faciaux ou des lunettes teintés que pendant la journée sous une lumière vive ; ne les portez pas la nuit ou dans des conditions de faible luminosité, car elles nuiraient à votre capacité de distinguer les couleurs. Ne les portez pas si vous avez de la difficulté à distinguer les couleurs.

Gants

Des gants couvrant tous les doigts protègent vos mains contre le vent, le soleil, la chaleur, le froid et les éclaboussures. Des gants bien ajustés aident à la conduite et soulagent la fatigue des mains. Si les gants sont trop lourds, ils rendront la conduite plus difficile.

Des gants de moto très résistants protégeront vos mains en cas d'accident ou de renversement. Des gants de motoneige offrent une meilleure protection pour la conduite en régions froides.

SÉCURITÉ DE L'UTILISATEUR

Vestes, pantalons et combinaisons moto

Portez une veste ou un chandail à manches longues et des pantalons longs, ou encore une combinaison moto. Des vêtements de protection de qualité assurent votre confort et peuvent vous aider à éviter d'être gêné par des conditions météorologiques défavorables. En cas d'accident, des vêtements de protection de bonne qualité faits en tissus très résistants peuvent empêcher les blessures ou les réduire.

Si vous conduisez par temps froid, protégez-vous contre l'hypothermie. L'hypothermie est une situation où la température corporelle est trop basse et peut provoquer une perte de concentration, des réactions plus lentes et une perte de souplesse et de précision des mouvements musculaires. Par temps froid, des vêtements de protection adéquats comme une veste coupe-vent et des habits à couches isolées sont essentiels. Même lorsque vous conduisez à des températures modérées, vous pourrez ressentir un froid intense à cause du vent. Par contre, des vêtements de protection appropriés pour la conduite par temps froid peuvent s'avérer trop chauds dès que vous vous arrêtez. Il convient donc de porter plusieurs couches afin de pouvoir les retirer selon les besoins. Porter une couche externe coupe-vent sur les vêtements de protection peut empêcher l'air froid d'atteindre la peau.

Bottes

Portez toujours des bottes fermées montant au-dessus des chevilles. En plus d'offrir une meilleure protection, les bottes robustes montant au-dessus des chevilles avec semelles antidérapantes permettent de bien planter les pieds sur les repose-pieds. Évitez les longs lacets qui pourraient se coincer dans des pièces de la moto. Pour la conduite en hiver, il est recommandé de porter des bottes à semelles caoutchouc avec des dessus de botte en nylon ou en cuir et des chaussons en feutre amovibles. Évitez les bottes de pluie en caoutchouc, car elles risquent de rester prises derrière la pédale de frein, nuisant à son bon fonctionnement.

SÉCURITÉ DE L'UTILISATEUR

Autre équipement de conduite

Vêtements pour la pluie

Lorsque vous conduisez par temps pluvieux, une combinaison imperméable ou une combinaison de motocycliste est recommandée. Pour les longs trajets, il est plus prudent d'emporter un vêtement protégeant de la pluie. Le fait de garder les vêtements secs vous maintiendra plus confortable et plus alerte.

Protection de l'ouïe

L'exposition à long terme au vent et au bruit du moteur durant la conduite peut provoquer une perte auditive permanente. Des dispositifs de protection auditive convenablement utilisés tels que des bouches-oreilles peuvent aider à empêcher la perte auditive. Vérifiez les lois en vigueur dans votre région avant d'utiliser des dispositifs de protection auditive.

SÉCURITÉ DE L'UTILISATEUR

ÉVITEZ LES COMPORTEMENTS DE CONDUITE DANGEREUX

Les comportements ci-après peuvent entraîner des conséquences graves : il est donc fortement recommandé de respecter les consignes décrites afin d'éviter les comportements dangereux.

Instructions de conduite non respectées

⚠ AVERTISSEMENT : Des instructions de conduite non respectées peuvent entraîner de graves blessures au pilote, au passager et aux personnes autour de vous.

Lisez chaque instruction dans ce manuel et familiarisez-vous avec chaque fonction de votre moto. Vous devez suivre un cours de formation sur la sécurité et savoir utiliser le véhicule correctement dans différentes situations et sur différents types de terrain.

Restrictions relatives à l'âge

⚠ AVERTISSEMENT : Il est fortement déconseillé aux moins de 18 ans de conduire ce véhicule et aux enfants de moins de 12 ans d'être des passagers sur ce véhicule.

De graves blessures et/ou des blessures mortelles pourraient survenir si une jeune personne qui n'a pas atteint l'âge minimum recommandé conduit ce véhicule. Même si une jeune personne a atteint l'âge minimum recommandé pour la conduite, elle pourrait ne pas posséder les aptitudes, les compétences ou le jugement nécessaires pour conduire sans risque, et pourrait avoir un accident ou se blesser. Le véhicule ne peut être utilisé que par des personnes âgées d'au moins 18 ans et possédant les aptitudes de conduite sécuritaires de même qu'un permis de conduire approprié.

SÉCURITÉ DE L'UTILISATEUR

Transport illégal de passagers

⚠ AVERTISSEMENT : Il n'est pas permis de transporter un nombre de passagers supérieur à la limite autorisée

Transporter un nombre de passagers supérieur à la limite autorisée est illégal, nuira beaucoup à la performance du véhicule et pourrait causer de graves accidents.

Conduire sur des routes non revêtues

⚠ AVERTISSEMENT : Ce véhicule ne doit pas rouler sur des routes non revêtues.

Les pneus de cette moto sont conçus pour la conduite sur les routes revêtues et ne conviennent donc pas aux routes non pavées telles que le sable, la boue, les flaques d'eau et les chemins de terre. Rouler sur des routes non pavées nuira sérieusement à la maniabilité du véhicule, ce qui accroîtra considérablement la possibilité d'accidents. S'il est inévitable de conduire durant de courtes périodes sur des routes non pavées, réduisez votre vitesse et assurez-vous d'éviter les virages serrés, les freinages brusques, etc.

Conduire sans équipement de protection approprié

⚠ AVERTISSEMENT : Vous devez porter un casque homologué, une protection oculaire et des vêtements de protection appropriés durant la conduite

Les casques non homologués augmentent le risque de blessures graves à la tête ou même la mort en cas d'accident. Conduire sans protection oculaire peut, en cas d'accident, augmenter le risque de graves blessures aux yeux et de blessures mortelles. Portez toujours tous les vêtements de protection adéquats pour réduire le risque de blessures graves et pour accroître votre propre protection.

SÉCURITÉ DE L'UTILISATEUR

Conduire sous l'emprise de drogues ou d'alcool

⚠ AVERTISSEMENT : N'utilisez pas ce véhicule sous l'emprise d'alcool, de médicaments ou de drogues

Consommer de l'alcool, des médicaments et des drogues peut sérieusement affecter le jugement du conducteur, diminuer son temps de réaction, modifier son sens de l'équilibre et amoindrir sa perception, ce qui augmente le risque d'accidents. N'utilisez pas le véhicule après avoir consommé de l'alcool, des médicaments ou des drogues.

Conduire à des vitesses excessives

⚠ AVERTISSEMENT : Ne conduisez pas à des vitesses excessives

Une vitesse excessive augmente le risque de perte de contrôle du véhicule par le conducteur, pouvant ainsi provoquer des accidents. Conduisez à une vitesse adaptée à la charge du véhicule, au terrain, à la visibilité et aux conditions ambiantes. Ne dépassez jamais la vitesse permise.

Cascades et autres acrobaties

⚠ AVERTISSEMENT : Ne tentez pas des cascades et autres acrobaties

Toutes les cascades, y compris mais pas exclusivement, l'usage de pneus glissants, les sauts, les dérapages, la conduite sur une seule roue, etc., sont dangereuses. Les cascades ou manœuvres spectaculaires peuvent occasionner de graves accidents. Utilisez toujours des méthodes normales de conduite.

SÉCURITÉ DE L'UTILISATEUR

Vérifications et entretien

⚠ AVERTISSEMENT : Vérifiez l'état du véhicule avant l'utilisation et entretenez-le régulièrement

Vérifier l'état de votre véhicule avant chaque utilisation peut réduire les risques d'accident. Entretenez le véhicule de façon régulière pour assurer que tous les composants sont en bonne condition. Respectez les consignes de vérification avant la conduite ainsi que les calendriers d'inspection et d'entretien.

Conduire en ôtant les mains et les pieds du véhicule

⚠ AVERTISSEMENT : N'ôtez pas vos mains du guidon et vos pieds des repose-pieds durant la conduite

Conduire même avec seulement une main ou un pied en contact avec le véhicule peut limiter votre capacité à contrôler le véhicule ou vous faire perdre votre équilibre et chuter du véhicule. Si les pieds ne sont pas fermement posés sur les repose-pieds, le pilote pourrait ne pas être en mesure d'utiliser le frein ou l'accélérateur à temps, ou bien il pourrait être influencé par des facteurs environnementaux externes, ce qui provoquerait un accident.

Conduire avec des pneus inadéquats ou mal gonflés

⚠ AVERTISSEMENT : N'utilisez pas des pneus inadéquats, mal gonflés, ou avec une pression inégale.

Des pneus inadéquats peuvent provoquer des accidents. Il est interdit d'utiliser des pneus inappropriés. Vérifiez la pression des pneus régulièrement pour vous assurer qu'ils sont toujours gonflés dans la gamme de pression prescrite.

SÉCURITÉ DE L'UTILISATEUR

Modifications non approuvées

⚠️ AVERTISSEMENT : Toute modification non standard du véhicule est interdite.

Toute modification altérera la maniabilité du véhicule, ce qui pourrait entraîner un accident. Il est interdit d'ajouter des équipements ayant pour fonction d'augmenter la vitesse ou la puissance du véhicule, ou d'apporter toute autre modification au véhicule à cette fin. Tous les équipements et accessoires ajoutés au véhicule doivent être d'origine ou spécialement conçus pour ce véhicule.

Clés

⚠️ AVERTISSEMENT : Ne laissez jamais les clés sur le véhicule. Verrouillez la serrure de la fourche avant de quitter le véhicule.

Les clés laissées sur le véhicule sans surveillance peuvent attirer une utilisation non autorisée, entraînant un accident ou des dégâts matériels : veillez à toujours emporter votre clé quand le véhicule n'est pas utilisé.

Transport de matières dangereuses

⚠️ AVERTISSEMENT : Ne transportez pas de matières inflammables, d'explosifs ou d'autres marchandises dangereuses.

Le transport des matières dangereuses peut provoquer de graves blessures ou accidents.

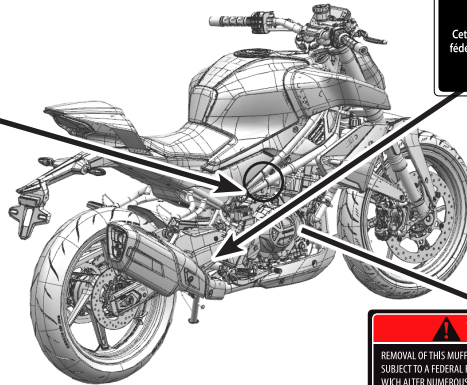
AUTOCOLLANTS DE SÉCURITÉ ET LEURS EMPLACEMENTS

Veillez lire attentivement et comprendre tous les autocollants ou étiquettes d'information et de sécurité qui sont apposés sur le véhicule pour votre protection et pour une utilisation sans danger de la machine. N'enlevez jamais les autocollants ou étiquettes du véhicule. Si une étiquette ou un autocollant devient illisible ou se détache, contactez votre concessionnaire CFMOTO pour obtenir une étiquette ou un autocollant de rechange.

CLE EMISSION CONTROL INFORMATION 

MFG BY / MANUFACTURE PAR : ZHEJIANG CFMOTO POWER CO., LTD
 IMPORTED BY / IMPORTÉ PAR : CFMOTO POWERSPORTS, INC.
 P.R. CHINA-CHINE
 ENGINE FAMILY/FAMILLE DE MOTEURS : PCMAC 4481Q
 EXHAUST EMISSION CONTROL SYSTEM /
 SYSTÈME DE CONTRÔLE DES ÉMISSIONS D'ÉCHAPPEMENT : TWC, STI, HO2
 PERMITS FAMILY / FAMILLE DE PERMITS : PCMAPRETAIL
 DISPLACEMENT/DÉPLACEMENT : 449.5cc

This vehicle conforms to U.S. EPA Regulations Applicable to 2023 Model Year New Motorcycle and is certified to 0.6g/km HC+Nox engine family exhaust emission standard in California. / Ce véhicule est conforme aux réglementations de l'EPA des États-Unis applicables aux nouvelles motos de l'année modèle 2023 et est certifié conforme à la norme d'émission d'échappement de la famille de moteurs HC + Nox de 0,6 g/km en Californie.
 ENGINE TUNE UP SPECIFICATIONS (SEE OWNER'S MANUAL FOR MORE DETAILS)
 SPECIFICATIONS DE MISE AU POINT DU MOTEUR (VOIR LE MANUEL DU PROPRIÉTAIRE POUR PLUS DE DÉTAILS)
 IDLE SPEED/VEITESSE AU POINT MORT : 1400±140
 RPM AT NORMAL OPERATING TEMPERATURE/RPM AT NORMAL OPERATING TEMPERATURE
 FUEL/ESSENCE : GASOLINE 87 OR HIGHER/87 OU PLUS LUBRICANT/LUBRIFIANT : SAE 10W-40/SJ JASO MA2
 SPARK PLUG TYPE/TYPES DE BOUCHE D'ALLUMAGE : SPARK PLUG GAP/ÉCARTEMENT : 0.8MM-1.0MM
 EMISSION STANDARDS/NORMES D'ÉMISSION HC+Nox: 0.6 g/km CO : 12.6 g/km



MOTORCYCLE NOISE EMISSION CONTROL INFORMATION
 This 2024 CFMM1Q0449 motorcycle, 6A00, meets EPA noise emission requirements of 80 dBA at 6939 rpm by the Federal test procedure. Modifications which cause this motorcycle to exceed Federal noise standards are prohibited by Federal law. See owner's manual.
INFORMATIONS SUR LE CONTRÔLE DES ÉMISSIONS SONORES DE LA MOTO
 Cette moto 2024 CFMM1Q0449, 6A00#, répond aux exigences du gouvernement fédéral concernant le contrôle des émissions de bruit EPA (80 dBA à 6939 rpm). Toutes modifications qui permettraient que cette motocyclette dépasse les normes fédérales de bruit sont interdites par la loi.

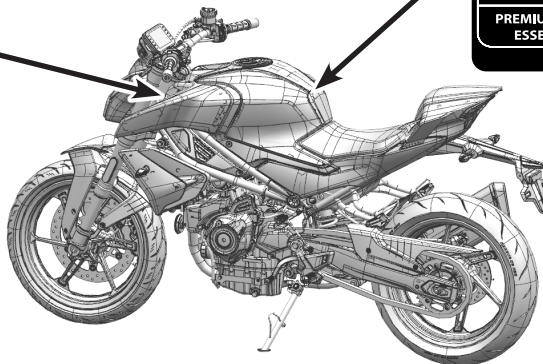
WARNING/AVERTISSEMENT

REMOVAL OF THIS MUFFLER IS A VIOLATION OF CLEAN AIR ACT 5203 AND CONSIDERED TAMPERING. VIOLATORS ARE SUBJECT TO A FEDERAL FINE OF UP TO \$48,192 PER OCCURRENCE. SELLING AND USING AFTERMARKET DEFEAT DEVICE WHICH ALTER NUMEROUS EMISSIONS-RELATED ELEMENTS OF DESIGN IS A VIOLATION OF CLEAN AIR ACT 5203. VIOLATORS ARE SUBJECT TO A FEDERAL FINE UP TO \$4,819 FOR EACH AFTERMARKET DEFEAT DEVICE.

LE RETRAIT DE CE SILENCIEUX EST UNE VIOLATION DE LA LOI SUR L'AIR 5203 ET EST CONSIDÉRÉ COMME UNE ALTIÉRATION. LES CONTREVENANTS SONT SUJETS À UNE AMENDE FÉDÉRALE JUSQU'À 48 192 \$ PAR OCCURRENCE. LA VENTE ET L'UTILISATION D'UN DISPOSITIF QUI MODIFIE LES ÉLÉMENTS LIÉS AUX ÉMISSIONS EST UNE VIOLATION DE LA LOI 5203. LES CONTREVENANTS SONT SUJETS À UNE AMENDE FÉDÉRALE JUSQU'À 4 819 \$ PAR OCCURRENCE.

AUTOCOLLANTS DE SÉCURITÉ ET LEURS EMPLACEMENTS

MANUFACTURED BY / MANUFACTURÉ PAR : ZHEJIANG CFMOTO POWER CO., LTD					
DATE OF MFG		MM/YY	GVWR 350kg(772Lbs)		
	GAWR	TIRE/PNEU DIMENSION	RIM	COLD	
○ FRONT/AVANT	123kg(271Lbs)	110/70R17 MC (54H)	MT3,0*17	229kPa(32.6PSI)	
○ REAR/ARRIÈRE	227kg(501Lbs)	150/60R17 MC (65H)	MT4,0*17	245kPa(35.5PSI)	
THIS VEHICLE CONFORMS TO ALL APPLICABLE FEDERAL MOTOR VEHICLE SAFETY STANDARDS IN EFFECT ON THE DATE OF MANUFACTURE SHOWN ABOVE. CE VÉHICULE EST CONFORME À TOUTES LES LOIS FÉDÉRALES APPLICABLES SUR LES VÉHICULES À MOTEUR NORMES EN VIGUEUR À LA DATE DE FABRICATION INDICÉE CI-DESSUS.					
VIN:		TYPE OF VEHICLE: MOTORCYCLE / TYPE DE VÉHICULE: MOTO			



⚠ WARNING/AVERTISSEMENT

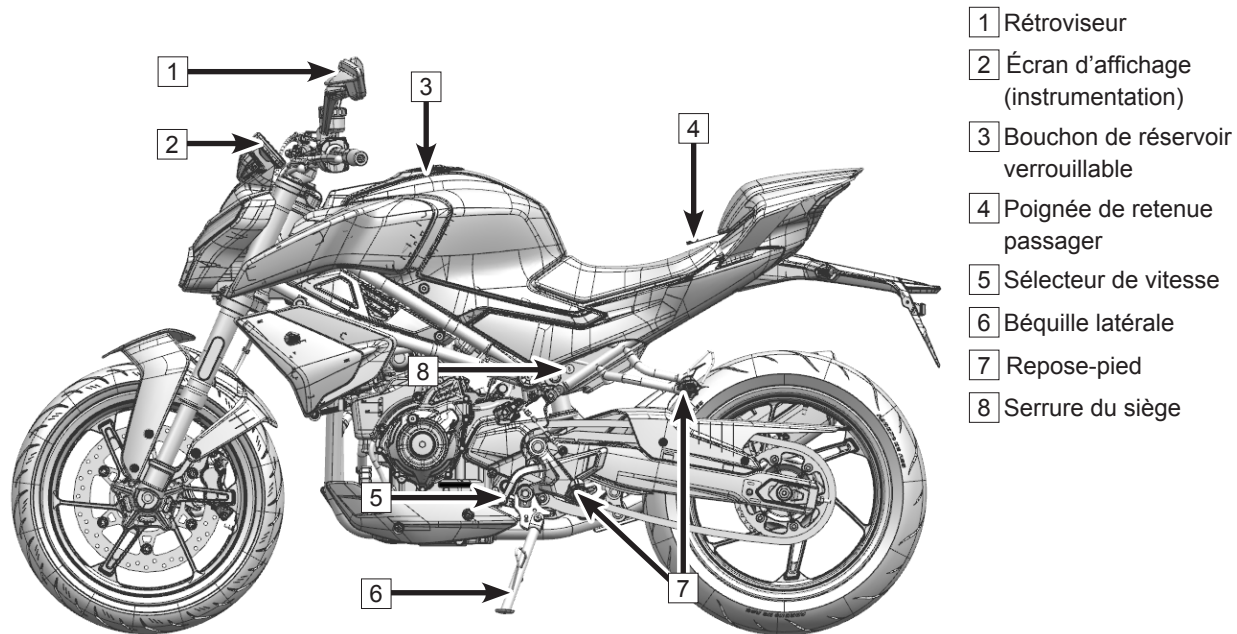
- BEFORE YOU OPERATE THIS VEHICLE, READ THE OWNER'S MANUAL AND ALL LABELS.
- ALWAYS WEAR AN APPROVED MOTORCYCLE HELMET, EYE PROTECTION AND PROTECTIVE CLOTHING.
- DO NOT TOUCH OVERHEATED, ROTATING PARTS SUCH AS EXHAUST PIPE, ENGINE, WHEEL AND ECT.
- PLEASE SLOW DOWN ON POOR VISIBILITY AND SLIPPERY ROAD.
- AVANT D'UTILISER CE VÉHICULE, LISEZ LE MANUEL DU PROPRIÉTAIRE ET TOUTES LES ÉTIQUETTES.
- PORTEZ TOUJOURS UN CASQUE DE MOTO APPROUVÉ, UNE PROTECTION DES YEUX ET UN VÊTEMENT DE PROTECTION.
- NE TOUCHEZ PAS LES PIÈCES SURCHAUFFÉES ET TOURNANTES COMME LE TOUTOU D'ÉCHAPPEMENT, LE MOTEUR, LA ROUE, ETC.
- VEUILLEZ RALENTIR SI UNE MAUVAISE VISIBILITÉ OU UNE ROUTE GLISSANTE.

**PREMIUM UNLEADED GASOLINE 87 OR HIGHER.
ESSENCE SUPER SANS PLOMB 87 OU PLUS**

611V-190002-6600

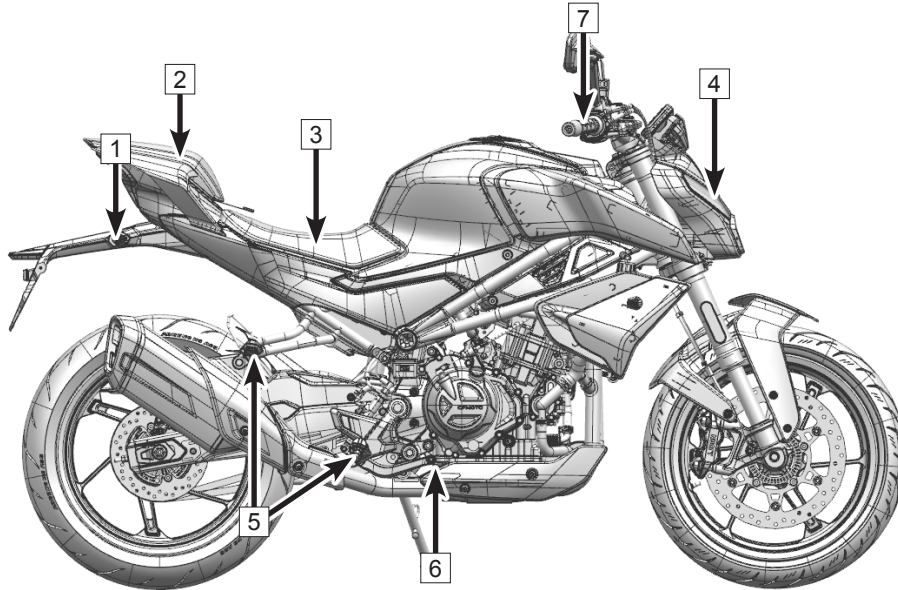
VUE GLOBALE DU VÉHICULE

Vue côté gauche



VUE GLOBALE DU VÉHICULE

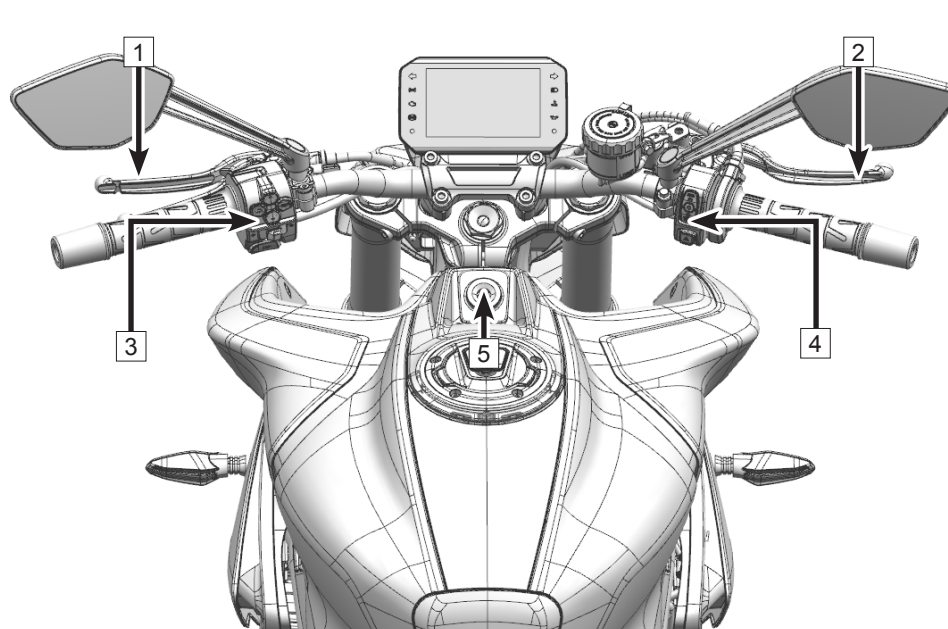
Vue côté droite



- 1 Feu du clignotant arrière
- 2 Coussin passager
- 3 Coussin conducteur
- 4 Phare avant
- 5 Repose-pied
- 6 Pédale de frein arrière
- 7 Poignée d'accélérateur

VUE GLOBALE DU VÉHICULE

Vue de dessus



- 1 Levier d'embrayage
- 2 Levier de frein à main avant
- 3 Commutateur de guidon, côté gauche
- 4 Commutateur de guidon, côté droit
- 5 Contacteur d'allumage

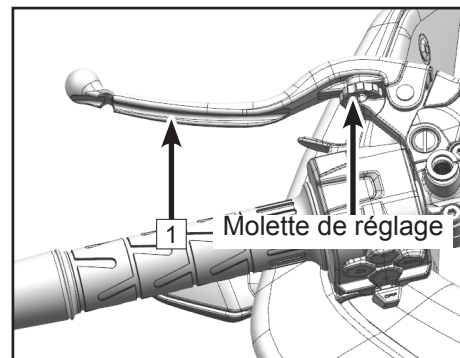
COMMANDES ET CARACTÉRISTIQUES

ÉLÉMENTS FONCTIONNELS

Levier d'embrayage

Le levier d'embrayage **1** se trouve du côté gauche du guidon. L'embrayage est du type câble.

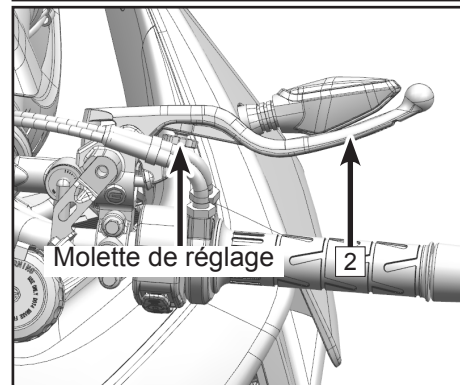
Ajustez la distance entre le levier d'embrayage et le guidon en tournant la molette de réglage sur le levier d'embrayage.



Levier de frein avant

Le levier de frein avant **2** se trouve du côté droit du guidon. L'étrier de frein avant actionne le freinage lorsque le levier de frein est tiré vers la poignée.

Ajustez la distance entre le levier de frein et le guidon en tournant la molette de réglage sur le levier de frein.









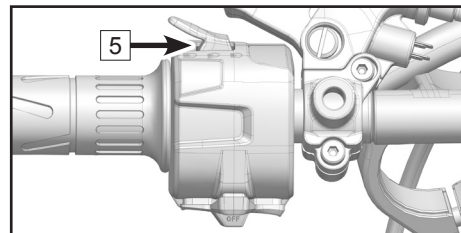
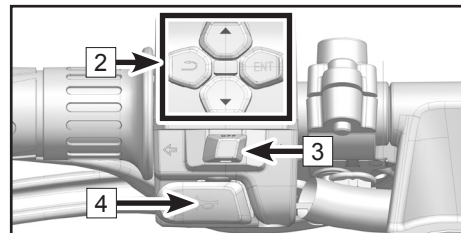
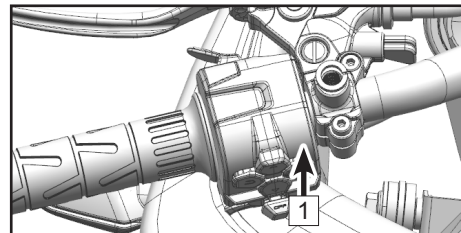
COMMANDES ET CARACTÉRISTIQUES

Commutateur de guidon, côté gauche

Le commutateur de guidon côté gauche **1** se trouve sur le côté gauche du guidon.

Fonctions du commutateur de guidon côté gauche

2	Bouton Instruments	Commande les fonctions du tableau de bord. Référez-vous à la section Instruments du tableau de bord .	
3	Bouton de clignotant		Poussez ce bouton vers la droite, le clignotant droit s'active.
			Poussez ce bouton vers la gauche, le clignotant gauche s'active.
4	Avertisseur sonore		Appuyez sur ce bouton pour activer l'avertisseur sonore.
5	Bouton-poussoir gradateur		Pressez le bouton clignoteur de dépassement : les feux de dépassement clignent.
			Lorsque le bouton est dans cette position, les feux de route s'allument.
			Lorsque le bouton est dans cette position, les feux de croisement s'allument.







COMMANDES ET CARACTÉRISTIQUES

Commutateur de guidon, côté droit

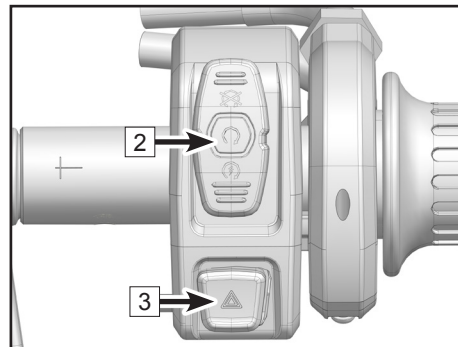
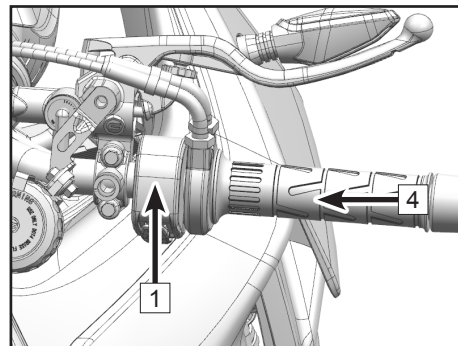
Le commutateur de guidon côté droit **1** se trouve du côté droit du guidon.

Fonctions du commutateur de guidon côté droit

2	Boutons d'arrêt et de démarrage		Tournez le bouton dans cette position, le véhicule s'arrête.
			Tournez le bouton dans cette position, le véhicule est prêt à démarrer.
			Tournez le bouton dans cette position pour démarrer le véhicule.
3	Bouton des feux de détresse		Appuyez sur ce bouton pour activer les feux de détresse.

Poignée d'accélérateur




La poignée de l'accélérateur **4** se trouve du côté droit du guidon.

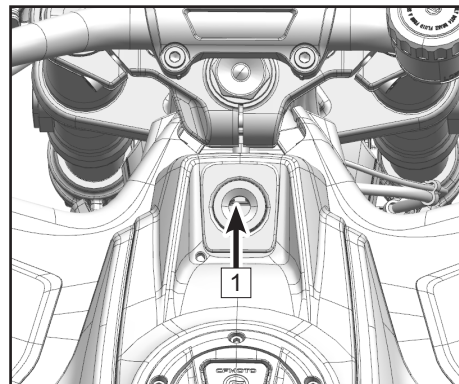


COMMANDES ET CARACTÉRISTIQUES

Verrouillages

Contacteur d'allumage à clé 1

Verrouillage du guidon		Tournez le guidon vers la gauche, puis tournez la clé jusqu'à l'indicateur de verrouillage : le guidon se verrouille.
Arrêt		Lorsque vous tournez la clé sur cette position, le moteur ne peut pas démarrer car le circuit d'alimentation électrique du véhicule est déconnecté
Démarrage		Lorsque vous tournez la clé sur cette position, le moteur peut démarrer car le circuit d'alimentation électrique du véhicule est connecté.

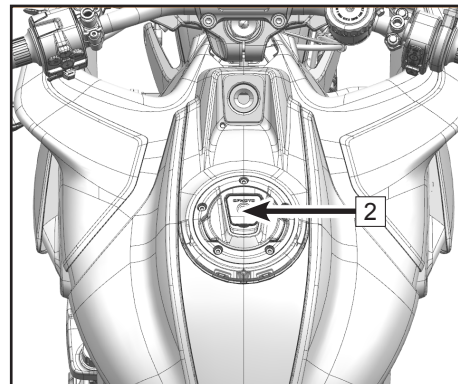


COMMANDES ET CARACTÉRISTIQUES

Bouchon de réservoir verrouillable 2

Suivez les consignes ci-dessous avant d'ouvrir le réservoir de carburant :

1. Le véhicule doit être à l'arrêt.
2. Le moteur doit être coupé.
3. Ouvrez le couvercle du bouchon de réservoir verrouillable.
4. Insérez la clé puis tournez pour déverrouiller la serrure.
5. Ouvrez le bouchon du réservoir de carburant.

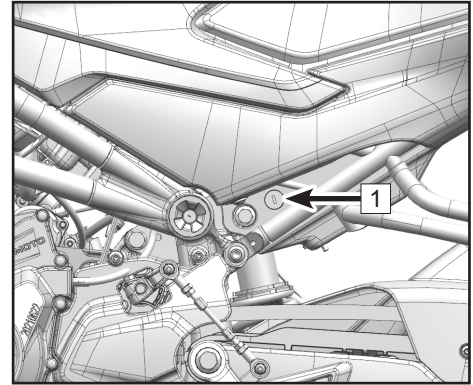


COMMANDES ET CARACTÉRISTIQUES

Serrure du siège

La serrure du siège [1] se trouve sur le côté gauche du véhicule.

Le siège peut être enlevé en insérant la clé et en la tournant pour déverrouiller la serrure.

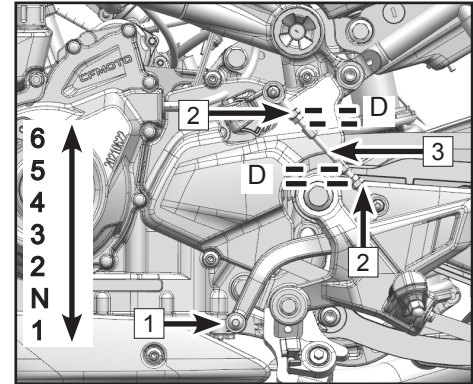


Sélecteur de vitesse

Le sélecteur de vitesse [1] se trouve sur le côté gauche du moteur.

Les deux extrémités de la bielle du milieu sont réglables et la plage de réglage (D) est de 0,16 à 0,39 po (4 à 10 mm).

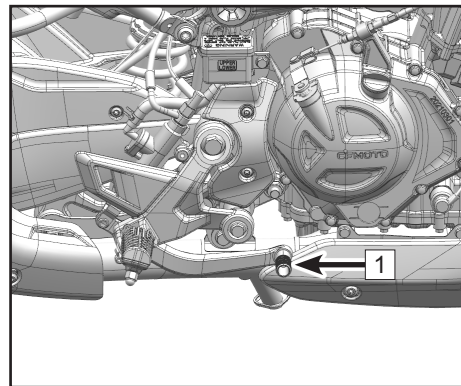
- Desserrez les écrous de blocage aux deux extrémités [2].
- Faites pivoter la bielle intermédiaire [3] pour ajuster la hauteur du levier des vitesses;
- Resserrez les écrous à un **couple de serrage de 6 N•m (4,4 pi-lb)**.



COMMANDES ET CARACTÉRISTIQUES

Pédale de frein arrière

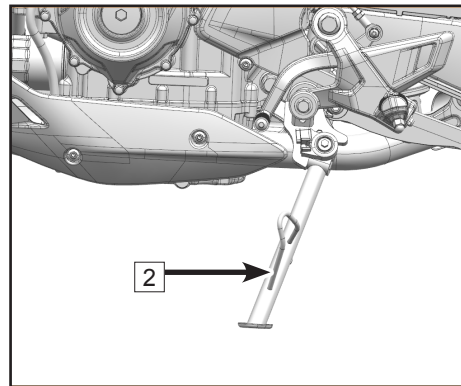
La pédale de frein arrière **1** se trouve sur le côté droit du moteur. Appuyez sur la pédale de frein arrière pour activer le frein arrière.



Béquille latérale

La béquille latérale **2** se trouve sur le côté gauche du véhicule ; elle sert à garer la moto de façon stable.

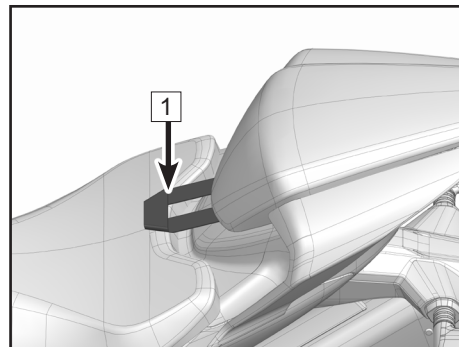
Lorsque la béquille est abaissée, le système de démarrage du moteur s'active seulement lorsque le sélecteur de vitesse est en position neutre.



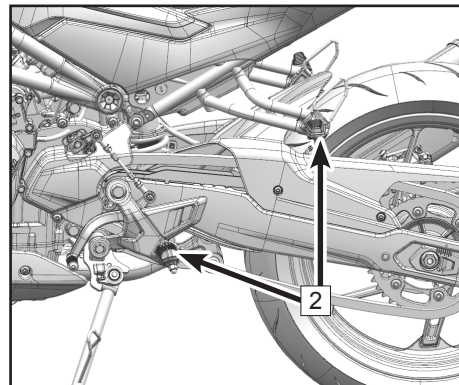
COMMANDES ET CARACTÉRISTIQUES

Poignée de retenue et repose-pieds passager

La poignée de retenue **1** pour passager est fixée sur la moto pour permettre au passager de se maintenir en place pendant la conduite.



Les repose-pieds **2** sont des appuis qui conviennent aussi bien au conducteur qu'au passager.



COMMANDES ET CARACTÉRISTIQUES INSTRUMENTS DU TABLEAU DE BORD

REMARQUE

Du fait des mises à jour continues relatives aux réglages de fonctions et aux versions logicielles des instruments du tableau de bord, ainsi qu'aux nouvelles configurations des motos, certains contenus du tableau de bord peuvent changer. Veuillez vous reporter de façon sélective à cette section en fonction de votre véhicule.

Instrument (Écran d'affichage)

L'instrumentation d'affichage est située à l'avant du guidon et comprend deux zones de fonction :

- 1 : Zone Indicateurs du tableau de bord
- 2 : Zone Affichage du tableau de bord

Activation et essai

Activation

L'instrumentation d'affichage est activée dès que le véhicule est mis en marche.

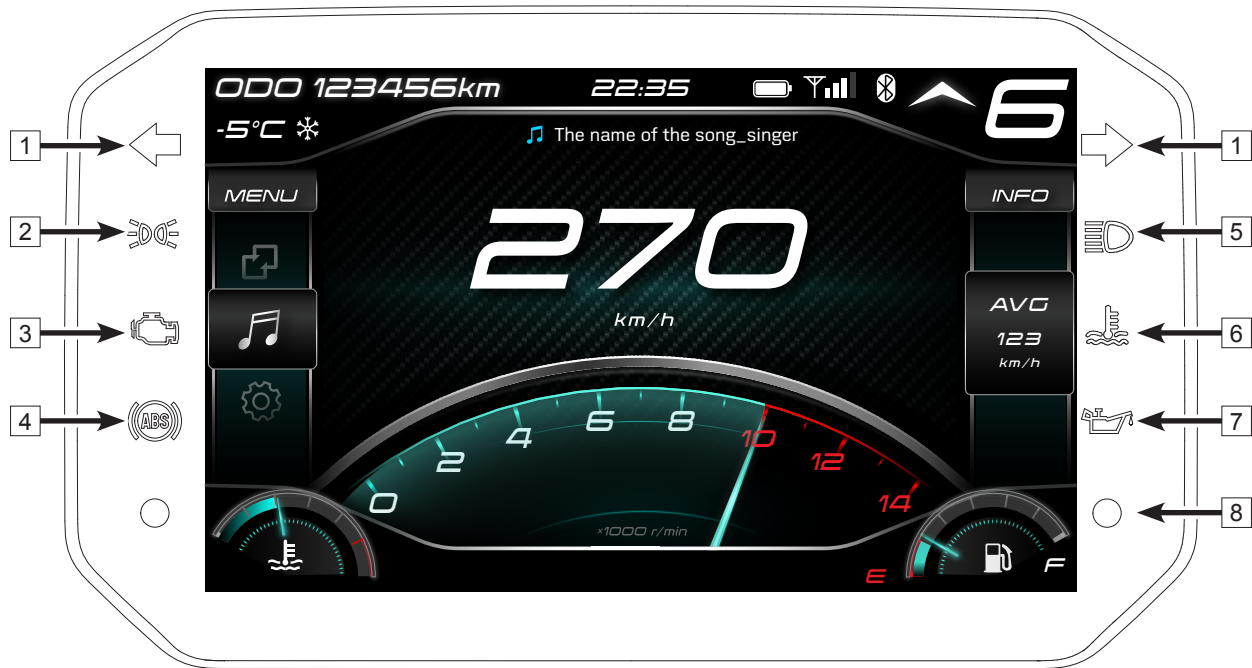
Essai

Dès son activation, la zone Affichage du tableau de bord passe en mode d'auto-vérification. Dans ce mode, une vidéo d'animation est présentée et les voyants indicateurs s'allument. Tous les boutons de commande et de sélection restent inopérants jusqu'à ce que l'auto-vérification soit terminée.








COMMANDES ET CARACTÉRISTIQUES




Indicateurs de tableau de bord



COMMANDES ET CARACTÉRISTIQUES

Réf.	Symbole	Fonction	
1		Clignote	L'indicateur clignote lorsque le clignotant est activé. Le témoin du clignotant correspondant s'allume.
2		Reste allumé	L'indicateur Feu de position s'allume lorsque le feu de position est activé.
3		Reste allumé	Lorsque le circuit électrique est connecté et le moteur coupé, l'indicateur de défaillance EFI est allumé. Si le moteur n'est pas coupé et que l'indicateur est toujours allumé, cela signifie que le véhicule a détecté une défaillance, et la défaillance sera affichée sur le tableau de bord pour avertissement. Dans ce cas, arrêtez le véhicule en respectant les règlements locaux de la circulation et contactez votre concessionnaire CFMOTO autorisé aussitôt que possible.
4		Reste allumé	Si l'indicateur ABS fonctionne normalement, il reste allumé lorsque la moto est en mode de stationnement ou qu'elle roule à faible vitesse : ceci est normal. Si une défaillance de l'ABS est détectée, l'indicateur ABS s'allume et reste allumé. La fonction ABS est alors automatiquement désactivée, mais le véhicule garde son plein pouvoir de freinage de base. Dans ce cas, conduisez à vitesse réduite, évitez le freinage brusque et contactez votre concessionnaire CFMOTO autorisé aussitôt que possible.
5		Reste allumé	L'indicateur Feu de route reste allumé lorsque le phare avant est activé.

COMMANDES ET CARACTÉRISTIQUES

6		Reste allumé	Si le liquide de refroidissement dépasse 115 °C, l'indicateur de température du liquide de refroidissement s'allume. Dans ce cas, arrêtez le véhicule en respectant les règlements locaux de la circulation et attendez que la température du liquide de refroidissement revienne à une plage normale. Si l'indicateur de température du liquide de refroidissement s'allume souvent, contactez votre concessionnaire CFMOTO autorisé aussitôt que possible.
7		Reste allumé	L'indicateur de pression d'huile moteur s'allume lorsque le niveau d'huile est très bas. Dans ce cas, rajoutez aussitôt que possible suffisamment d'huile ou remplacez l'huile afin d'éviter une panne du moteur.
8			Lorsque l'indicateur de commande de la luminosité est activé et opérationnel, le tableau de bord ajuste automatiquement le niveau de luminosité en fonction de la lumière externe.

COMMANDES ET CARACTÉRISTIQUES

Écran d'affichage du tableau de bord

Affichage Info facultative 1

L'utilisateur peut choisir un message à partir du menu et l'afficher ici ou sur l'interface d'accueil.

Pressez ▲ pour choisir la fonction

Information facultative 1.

Information facultative 1 : TRIP 1, TRIP 2, ODO (totalisateur partiel 1, totalisateur partiel 2, compteur kilométrique)

Température ambiante

La température externe courante est affichée ici.

Vous pouvez afficher la température en degrés Celsius (°C) ou en degrés Fahrenheit (°F) à l'aide du menu.

Un avertissement de verglas s'affiche si la température ambiante tombe et reste longtemps au-dessous de -5°C, indiquant une augmentation des risques de routes glissantes.



COMMANDES ET CARACTÉRISTIQUES

La température du liquide de refroidissement

La température du liquide de refroidissement s'affiche sous la forme de plusieurs barres. Plus il y a de barres allumées, plus la température du liquide de refroidissement est élevée. Si la dernière barre vire au rouge, le liquide de refroidissement a atteint une température dangereuse qui dépasse 115°F.

AVERTISSEMENT

Une trop haute température peut endommager le moteur.

Si le liquide de refroidissement atteint le niveau dangereux, arrêtez le véhicule en respectant les règles locales de la circulation et attendez que la température du liquide de refroidissement revienne à une plage normale.

Une fois le système de refroidissement totalement refroidi, ajoutez du liquide réfrigérant jusqu'au niveau prescrit.

Dans des conditions de conduite normale, si le liquide réfrigérant atteint la température dangereuse, contactez un centre de service après-vente CFMOTO agréé aussitôt que possible.

Menu

Pressez ENT pour entrer dans le menu et reportez-vous à la section Menu du tableau de bord.



COMMANDES ET CARACTÉRISTIQUES



Alerte de changement de vitesse

L'utilisateur peut activer l'Alerte de passage à la vitesse supérieure dans le menu. Cette fonction rappelle à l'utilisateur de passer le sélecteur à la vitesse supérieure quand la vitesse de moteur atteint la gamme recommandée de changement de vitesse.

Niveau de carburant disponible

Le niveau de carburant disponible s'affiche à l'aide de plusieurs barres. Plus il y a de barres allumées, plus il y a de carburant dans le réservoir d'essence. Lorsque l'icône de carburant vire au jaune, le carburant restant est proche de la limite.

Lorsque le niveau de carburant restant est bas, veuillez faire le plein de carburant aussitôt que possible. Une trop petite quantité de carburant peut endommager la pompe à essence.

COMMANDES ET CARACTÉRISTIQUES

Position du levier des vitesses

La position du levier des vitesses s'affiche ici.

La position Neutre s'affiche en vert.



Affichage Info facultative 2 L'utilisateur peut, à partir du menu, choisir un message qui s'affichera ici ou sur l'interface d'accueil. Pressez ▼ pour choisir l'information facultative 2.

Info facultative 2 : Kilométrage, Tension de la batterie, Économie de carburant instantanée, Durée du parcours 1, Durée du parcours 2, Durée totale du parcours, Consommation moyenne de carburant 1, Consommation moyenne de carburant 2, Consommation moyenne totale de carburant, Durée moyenne du parcours 1, Durée moyenne du parcours 2, Durée totale du parcours.

COMMANDES ET CARACTÉRISTIQUES

Affichage de la vitesse

La vitesse courante du véhicule est affichée ici.

Vous pouvez, à l'aide du bouton menu, afficher l'unité de vitesse en km/h ou en mi/h (mph).

Identification de l'appelant

Lorsque le tableau de bord est couplé au téléphone portable du pilote par Bluetooth, tout appel entrant est affiché ici. Pressez le bouton ENT sur la gauche le guidon pour prendre l'appel, et appuyer sur le bouton sur la gauche le guidon pour terminer l'appel.



COMMANDES ET CARACTÉRISTIQUES

Horloge

L'heure courante est affichée ici. Vous pouvez régler l'heure à l'aide du bouton menu. Vous pouvez également, à l'aide du bouton menu, passer du format 12 heures à 24 heures (et inversement).

Bluetooth

La fonction Bluetooth permet d'interconnecter les téléphones portables et les casques de protection.

Lorsque le téléphone portable du pilote est couplé au tableau de bord de la moto, cette zone affiche le symbole Bluetooth, la puissance du signal et la charge restante de la batterie du portable.

Les fonctions de navigation, de musique et d'appel peuvent être utilisées seulement lorsque le téléphone est correctement couplé à la moto.





COMMANDES ET CARACTÉRISTIQUES




Indicateur d'arrêt

Lorsque le voyant indicateur d'arrêt est allumé, cela signifie que le commutateur d'arrêt du moteur est désactivé et que le circuit électrique de la moto est déconnecté.

Indicateur TC (Système antipatinage)

L'indicateur  de fonctionnement du TC clignote  ! si le système antipatinage est activé. Dans ce cas, l'indicateur du TC clignote dès qu'une défaillance est détectée.

L'indicateur de TC désactivé  clignote si le système antipatinage est désactivé.

COMMANDES ET CARACTÉRISTIQUES



Indicateur de béquille

Lorsque vous déployez la béquille, son voyant indicateur s'allume. Dans ce cas, il est impossible de démarrer la moto à l'aide du levier des vitesses.

Régime du moteur (Compte-tours)

L'unité de vitesse de rotation du moteur est de 1000 tours/minute.

Évitez un régime élevé du moteur pendant la période de rodage. Autant que possible, évitez en tout temps de laisser le régime du moteur s'approcher de la zone rouge, ce qui prolongera la vie utile du moteur. Évitez un régime élevé jusqu'à ce que le moteur soit réchauffé.

COMMANDES ET CARACTÉRISTIQUES

Menu du tableau de bord

Ajustez les réglages de l'écran d'affichage à l'aide du menu pour une meilleure expérience de conduite.

Pressez le bouton « Menu » sur le commutateur du guidon pour accéder au menu d'affichage.

AVERTISSEMENT

L'accès au menu d'affichage peut être activé seulement lorsque le véhicule est à l'arrêt et en sécurité.

Le bouton Menu se trouve sur le commutateur du guidon côté gauche et sert à activer les diverses fonctions du tableau de bord.



COMMANDES ET CARACTÉRISTIQUES

Pour l'interface d'accueil : pressez brièvement ici pour accéder à l'information facultative 1 et pressez longuement pour remettre à zéro les totalisateurs partiels (TRIP).

Pour le menu de premier niveau, le menu de deuxième niveau et le menu inférieur : pressez ici pour revenir au choix précédent.

Pour la musique : dans l'interface d'accueil, pressez ici pour augmenter le volume, et pressez longuement pour aller au morceau précédent. Dans l'interface Menu, pressez ici pour augmenter le volume, et pressez longuement pour aller au morceau précédent.

Lorsque vous êtes au téléphone : pressez ici pour augmenter le volume de l'appel.

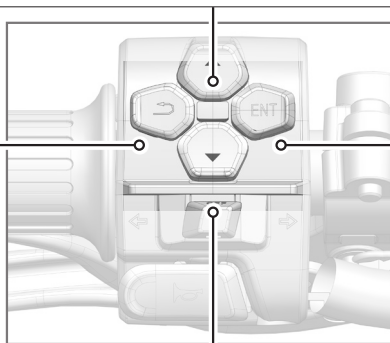
Pour le menu principal : pressez ici pour éliminer la fenêtre déroulante.

Pour le menu de premier niveau, le menu de deuxième niveau et le menu inférieur : pressez ici pour revenir au menu précédent.

Pour le téléphone : pressez ici pour raccrocher.

Pour l'écran de projection : pressez ici pour retourner à l'interface de l'écran de projection.

Pour la musique : pressez ici pour revenir à l'interface d'accueil.



Pour l'interface d'accueil : pressez ici pour accéder au menu de premier niveau, pressez longuement pour écouter le morceau de musique (Bluetooth doit être activé).

Pour le menu de premier niveau, le menu de deuxième niveau et le menu inférieur : pressez ici pour accéder au prochain menu ou pour confirmer votre choix. Pour les appels téléphoniques : pressez ici pour répondre à l'appel.

Pour la musique : dans l'interface d'accueil, pressez ici accéder au menu précédent, et pressez longuement pour arrêter (pause) ou jouer de la musique.

Pour la musique : dans l'interface Menu, pressez ici pour arrêter (pause) ou jouer de la musique.

Pour l'interface d'accueil : pressez ici pour choisir l'information facultative 2.

Pour le menu de premier niveau, le menu de deuxième niveau et le niveau inférieur : pressez ici pour accéder au prochain menu.

Si vous êtes au téléphone : pressez ici pour abaisser le volume.

Pour la musique : dans l'interface d'accueil, pressez ici pour abaisser le volume, et pressez longuement pour aller au prochain morceau de musique. Pour la musique : dans l'interface Menu, pressez ici pour abaisser le volume, et pressez longuement pour aller au prochain morceau.

Remarque :
La priorité des boutons est Appel, musique, puis les autres fonctions.

COMMANDES ET CARACTÉRISTIQUES

Réglages du tableau de bord

L'utilisateur peut accéder aux réglages suivants du tableau de bord pour ajuster les paramètres du menu :

Subject Style (Choix du style d'affichage)

Units (Unités)

Equipment connction (Connexion d'appareils)

Optional Info (Information facultative)

Brightness Contro (Réglage de la luminosité)

TRIP Reset (Remise à zéro des totalisateurs partiels)

Overspeed Alarm (Alarme de survitesse)

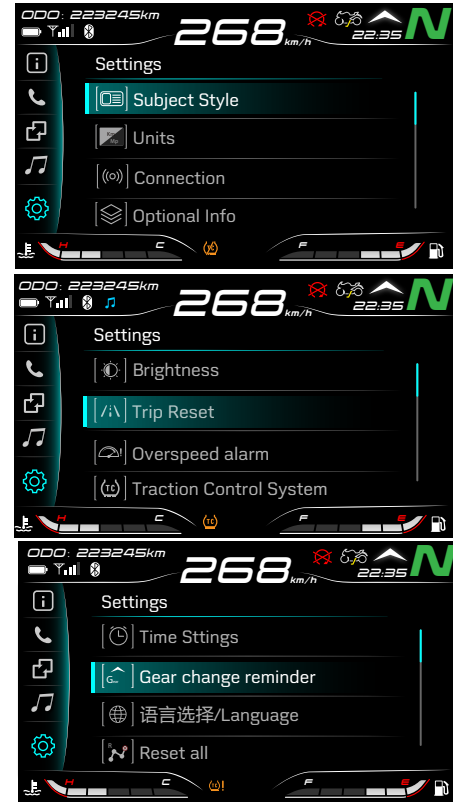
Traction Control System (Système antipatinage)

Time Settings (Réglages de l'heure)

Gear Change Reminder (Alerte de changement de vitesse)

Language (Langue d'affichage)

Reset All (Tout remettre à zéro)



COMMANDES ET CARACTÉRISTIQUES

Choix du style d'affichage

L'interface d'accueil du tableau de bord comporte plusieurs ensembles de styles d'affichage. Vous pouvez choisir votre style préféré dans le menu.

Pressez ENT pour accéder à l'interface Menu;

Pressez Δ ou ∇ pour choisir les paramètres (Settings), puis pressez ENT pour accéder à l'interface des paramètres.

Pressez Δ ou ∇ pour choisir **Subject Style** (style d'affichage), puis pressez ENT pour valider.

Pressez Δ ou ∇ pour choisir votre style préféré, puis pressez ENT pour confirmer votre choix.



COMMANDES ET CARACTÉRISTIQUES

Unités

Changez les unités de vitesse, de l'heure et de la température afin de les adapter à vos préférences.

Pressez ENT pour accéder à l'interface Menu.

Pressez Δ ou ∇ pour choisir les paramètres (Settings), puis pressez ENT pour accéder à l'interface des paramètres.

Pressez Δ ou ∇ pour choisir **Units** (unités), puis pressez ENT pour valider;

Pressez Δ ou ∇ pour choisir l'unité que vous voulez changer (**Vitesse/Format de l'heure /Température**), puis pressez ENT pour valider;

Pressez Δ ou ∇ pour choisir l'unité, puis pressez ENT pour confirmer votre choix.

km/h mph

24-hour 12 heures

°C..... °F



COMMANDES ET CARACTÉRISTIQUES

Connexion d'appareils

Les fonctions contrôlant la navigation, les appels téléphoniques et la musique peuvent être utilisées dès que votre casque moto est relié au tableau de bord via Bluetooth.

Pressez ENT pour accéder à l'interface Menu;

Pressez Δ ou ∇ pour choisir les paramètres (Settings), puis pressez ENT pour accéder à l'interface des paramètres;

Suivez les étapes suivantes pour connecter votre téléphone via Bluetooth :

Pressez Δ ou ∇ pour choisir **Connection**, puis pressez ENT pour valider;

Pressez Δ ou ∇ pour choisir **Mobile Device**, puis pressez ENT pour valider.

Assurez-vous que la fonction Bluetooth du téléphone portable à connecter est activée.

Pressez Δ ou ∇ to select your phone, and press ENT to connect.

Si le téléphone a été correctement connecté, pressez Δ ou ∇ pour choisir **Mobile Device**, pressez ENT pour accéder à l'interface, puis choisissez l'identification Bluetooth adéquate pour vous connecter.



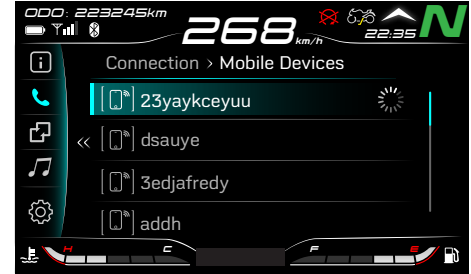
COMMANDES ET CARACTÉRISTIQUES

Suivez les étapes suivantes pour connecter la fonction Bluetooth du casque :

Pressez Δ ou ∇ pour choisir Equipment Connection, puis pressez ENT pour valider;

Pressez Δ ou ∇ pour choisir le casque **Helmet 1** ou **Helmet 2**, puis pressez ENT pour vous connecter;

Assurez-vous que la fonction Bluetooth du casque à connecter est activée.



COMMANDES ET CARACTÉRISTIQUES

Information facultative

Choisissez un message dans les fonctions Optional Info 1 (Information facultative) et Optional Info 2 pour l'afficher sur l'interface d'accueil.

Pressez Δ ou ∇ pour choisir les paramètres (Settings), puis pressez ENT pour accéder à l'interface des paramètres.

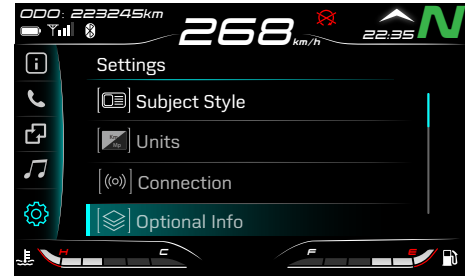
Pressez Δ ou ∇ pour choisir l'information facultative, puis pressez ENT pour valider.

Pressez Δ ou ∇ pour choisir **Optional Info 1** ou **Optional Info 2**, puis pressez ENT pour valider.

Pressez Δ ou ∇ pour choisir l'information que vous voulez voir affichée sur l'interface d'accueil, puis pressez ENT pour confirmer votre choix.

Optional Info 1 : TRIP 1 (totalisateur partiel 1), TRIP 2 (totalisateur partiel 2), ODO (compteur kilométrique).

Optional Info 2 : Kilométrage, Tension de la batterie, Économie de carburant instantanée, Durée du parcours 1, Durée du parcours 2, Durée totale du parcours, Consommation moyenne de carburant 1, Consommation moyenne de carburant 2, Consommation moyenne totale de carburant, Durée moyenne du parcours 1, Durée moyenne du parcours 2, Durée totale du parcours.



COMMANDES ET CARACTÉRISTIQUES

Réglage de la luminosité

Réglez manuellement la luminosité du tableau de bord, ou laissez le tableau de bord ajuster automatiquement sa luminosité en fonction de la lumière ambiante extérieure.

Pressez ENT pour accéder à l'interface Menu;

Pressez longuement Δ ou ∇ pour choisir les paramètres (Settings), puis pressez ENT pour accéder à l'interface des paramètres;

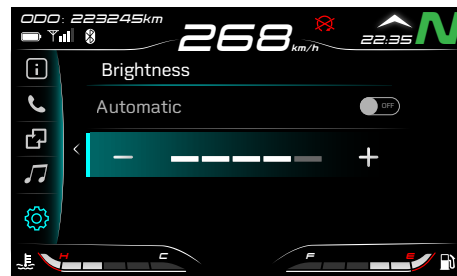
Pressez Δ ou ∇ pour choisir **Brightness**, a(réglage de la luminosité), puis pressez ENT pour valider;

Pressez ENT pour activer ou désactiver la fonction d'alarme;

La vitesse programmable pour l'alarme peut être réglée après avoir activé l'alarme de survitesse;

Pressez Δ ou ∇ pour régler la vitesse programmable (1 km/h par pression);

Pressez \curvearrowright pour revenir à l'interface précédente.



COMMANDES ET CARACTÉRISTIQUES

Remise à zéro du totalisateur partiel (TRIP)

Remettez à zéro manuellement le totalisateur partiel, ce qui efface les données relatives au trajet partiel parcouru.

Pressez ENT pour accéder à l'interface Menu;

Pressez Δ ou ∇ pour choisir les paramètres (Settings), puis pressez ENT pour accéder à l'interface des paramètres.

Pressez Δ ou ∇ pour choisir **Trip Reset** (remise à zéro totalisateur), puis pressez ENT pour valider.

Pressez Δ ou ∇ pour remettre à zéro le totalisateur partiel 1 TRIP 1 ou le totalisateur partiel 2 TRIP 2, puis pressez ENT pour remettre à zéro.



COMMANDES ET CARACTÉRISTIQUES

Alarme de survitesse

L'alarme de survitesse rappelle au pilote qu'il a dépassé la vitesse pré-réglée; cette alarme est affichée par l'indicateur de survitesse. Le pilote ne doit jamais dépasser la vitesse maximum permise sur la route ou le trajet emprunté.

DANGER

Une vitesse excessive augmente le risque de perdre le contrôle du véhicule, ce qui entraînerait des accidents. Choisissez votre vitesse en fonction de la charge de la moto, du terrain, de la visibilité, des conditions de conduite et des lois et règlements locaux en vigueur; ne dépassez jamais la vitesse maximale permise.

Pressez ENT pour accéder à l'interface Menu;

Pressez Δ ou ∇ pour choisir les paramètres (Settings), puis pressez ENT pour accéder à l'interface des paramètres;

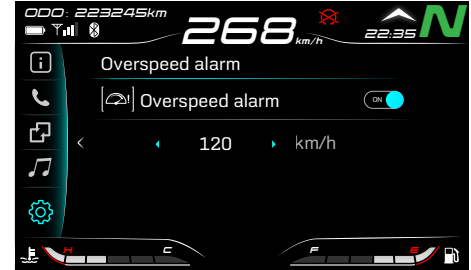
Pressez Δ ou ∇ pour accéder à la fonction **Overspeed Alarm**, (alarme de survitesse), puis pressez ENT pour valider;

Pressez ENT pour activer ou désactiver la fonction d'alarme;

La vitesse programmable pour l'alarme peut être réglée après avoir activé l'alarme de survitesse;

Pressez Δ ou ∇ pour régler la vitesse programmable (1 km/h par pression);

Pressez  pour revenir à l'interface précédente.



COMMANDES ET CARACTÉRISTIQUES

Système antipatinage

Le système antipatinage aide le véhicule à utiliser la meilleure traction possible en fonction des conditions de conduite.

Pressez ENT pour accéder à l'interface Menu;

Pressez Δ ou ∇ pour choisir les paramètres (Settings), puis pressez ENT pour accéder à l'interface des paramètres;

Pressez Δ ou ∇ pour accéder à la fonction **Traction Control System** (système antipatinage), puis pressez ENT pour valider;

Pressez ENT pour activer ou désactiver la fonction.

Lorsque la fonction est activée, le système antipatinage peut limiter la puissance de la roue arrière et réduire le risque de patinage.

Dans certaines conditions (boue, sable, neige ou autres conditions comparables), le système antipatinage devrait être temporairement désactivé afin de restituer la puissance de la roue arrière. Lorsque ces conditions s'améliorent, le système antipatinage peut être réactivé.



COMMANDES ET CARACTÉRISTIQUES

Réglages de l'heure

Vous pouvez régler l'affichage de l'heure sur l'interface d'accueil.

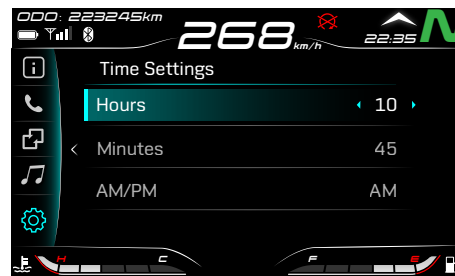
Pressez ENT pour accéder à l'interface Menu;

Pressez Δ ou ∇ pour choisir les paramètres (Settings), puis pressez ENT pour accéder à l'interface des paramètres;

Pressez Δ ou ∇ pour accéder à la fonction **Time Settings** (réglage de l'heure), puis pressez ENT pour valider;

Pressez Δ ou ∇ pour choisir **Hours** (heures) ou **Minutes** et **AM/PM** (lorsque l'unité de temps est réglée sur 12 heures), puis pressez ENT pour valider;

Pressez Δ ou ∇ pour régler l'heure et l'unité de temps, puis pressez ENT pour confirmer votre choix.



COMMANDES ET CARACTÉRISTIQUES

Alerte de changement de vitesse

Passer les vitesses au bon régime moteur (tr/min) peut efficacement réduire les pauses entre passage des vitesses, protéger l'embrayage, etc. Réglez l'alerte de changement de vitesse appropriée peut aider le pilote à se familiariser plus rapidement avec la moto.

La vitesse recommandée de passage à une vitesse supérieure est 6500 tr/min.

Pressez ENT pour accéder à l'interface Menu;

Pressez Δ ou ∇ pour choisir les paramètres (Settings), puis pressez ENT pour accéder à l'interface des paramètres;

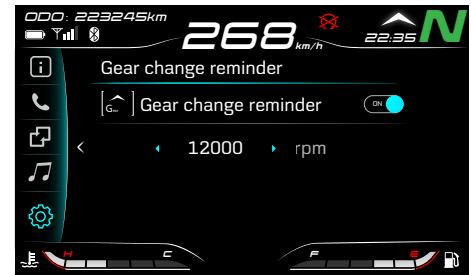
Pressez Δ ou ∇ pour accéder à la fonction **Gear Change Reminder** (Alerte de changement de vitesse), puis pressez ENT pour valider;

Pressez ENT pour activer ou désactiver la fonction Gear Change Reminder;

La vitesse d'alerte programmable peut être réglée après avoir activé la fonction Gear Change Reminder;

Pressez Δ ou ∇ pour ajuster le passage à une vitesse supérieure (chaque pression ajoute 100 tr/min);

Pressez \curvearrowright pour revenir à l'interface précédente.



COMMANDES ET CARACTÉRISTIQUES

Langue d'affichage

Vous pouvez régler la langue d'affichage du tableau de bord afin de l'adapter à vos préférences.

Pressez ENT pour accéder à l'interface Menu;

Pressez Δ ou ∇ pour choisir les paramètres (Settings), puis pressez ENT pour accéder à l'interface des paramètres;

Pressez Δ ou ∇ pour choisir **Language** (langue d'affichage), puis pressez ENT pour valider;

Pressez Δ ou ∇ pour choisir **Chinese** (chinois), **English** (anglais) ou **Espanol** (espagnol), puis pressez ENT pour confirmer votre choix.



COMMANDES ET CARACTÉRISTIQUES

Tout remettre à zéro

Vous pouvez remettre à zéro tous les paramètres du tableau de bord (comme ceux pré-réglés en usine).

REMARQUE : Cette fonction ne remet pas à zéro le compteur kilométrique (ODO) et sa fonctionnalité associée.

Pressez ENT pour accéder à l'interface Menu;

Pressez Δ ou ∇ pour choisir les paramètres (Settings), puis pressez ENT pour accéder à l'interface des paramètres;

Pressez Δ ou ∇ pour choisir **Reset settings to their factory state** (Remise à zéro de tous les paramètres pré-réglés en usine), puis pressez ENT pour valider votre choix;

Pressez Δ ou ∇ pour choisir **Cancel** (annuler) ou **Confirm** (confirmer), puis pressez ENT si vous confirmez vraiment la remise à zéro des paramètres pré-réglés en usine;

Pressez Δ ou ∇ pour choisir **NO** (non) ou **YES** (oui), puis pressez ENT pour confirmer votre choix.



COMMANDES ET CARACTÉRISTIQUES

Information relative à la moto

Dans le menu d'information relative à la moto, vous pouvez vérifier le contenu suivant :

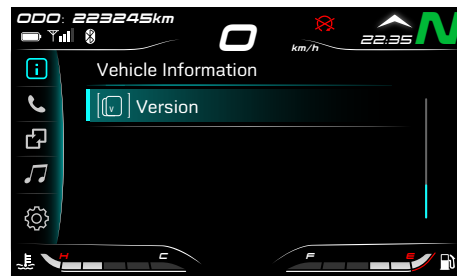
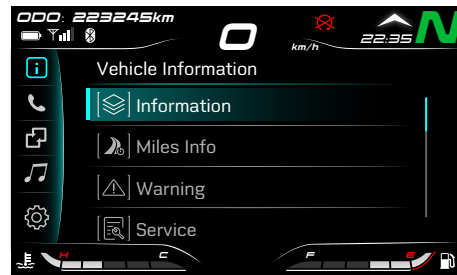
Information (Information générale)

Miles Info (Données sur le kilométrage)

Warning (Avertissement)

Service (Service d'entretien prévu)

Version



COMMANDES ET CARACTÉRISTIQUES

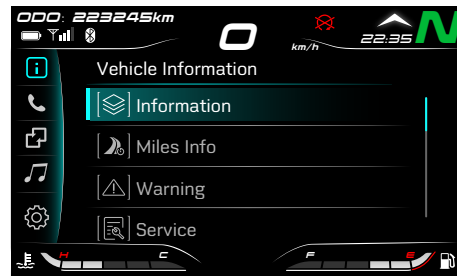
Information générale

Sur l'interface Information, vous pouvez voir la température du liquide de refroidissement, la tension de la batterie et la distance restante jusqu'au prochain remplissage de carburant.

Pressez ENT pour accéder à l'interface Menu;

Pressez longuement Δ ou ∇ pour choisir **Vehicle Information** (information générale sur le véhicule) puis pressez ENT pour accéder à l'interface d'information générale sur le véhicule;

Pressez Δ ou ∇ pour choisir **Information**, puis pressez ENT pour valider votre choix.



COMMANDES ET CARACTÉRISTIQUES

Données sur le kilométrage

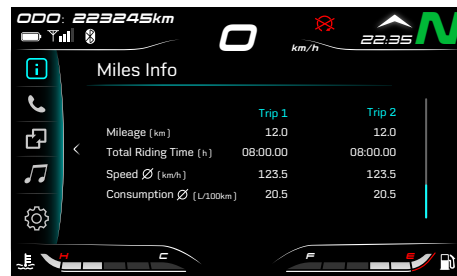
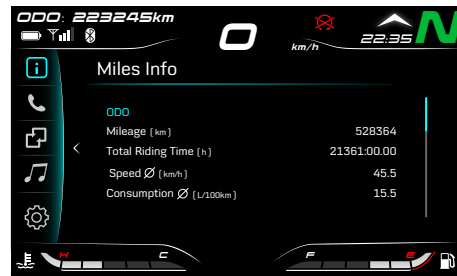
Sur l'interface Miles Info (données sur le kilométrage), vous pouvez vérifier les données relatives à ODO (compteur kilométrique), TRIP 1 (totalisateur partiel 1), TRIP 2 (totalisateur partiel 2), vitesse moyenne, consommation de carburant et durée totale du parcours.

Pressez ENT pour accéder à l'interface Menu;

Pressez Δ ou ∇ pour choisir **Vehicle Information** (information générale sur le véhicule) puis pressez ENT pour accéder à l'interface d'information générale sur le véhicule;

Pressez Δ ou ∇ pour choisir **Miles Info** (données sur le kilométrage), puis pressez ENT pour valider votre choix;

Pressez Δ ou ∇ pour passer de l'information relative à **ODO** ou à **Trip 1** et **Trip 2**.



COMMANDES ET CARACTÉRISTIQUES

Avertissement

Sur l'interface Warning (anomalies), vous pouvez voir le défaut ou l'avertissement de défaut lorsque l'ordinateur du véhicule détecte une anomalie. Quand un défaut survient, éliminez-le aussitôt que possible et, au besoin, contactez un centre de service après-vente CFMOTO agréé.

Pressez ENT pour accéder à l'interface Menu;

Pressez longuement \triangle ou ∇ pour choisir **Vehicle Information** (information générale sur le véhicule) puis pressez ENT pour accéder à l'interface d'information générale sur le véhicule;

Pressez \triangle ou ∇ pour choisir **Warning** (Avertissement), puis pressez ENT pour valider votre choix.



COMMANDES ET CARACTÉRISTIQUES

Service

L'interface Service (Service d'entretien prévu) vous permet de vérifier l'information sur le prochain service d'entretien du véhicule. Lorsque le kilométrage prévu pour l'entretien est atteint, le véhicule vous rappelle quand effectuer l'entretien prévu.

Pressez ENT pour accéder à l'interface Menu;

Pressez \triangle ou ∇ pour choisir **Vehicle Information** (information générale sur le véhicule) puis pressez ENT pour accéder à l'interface d'information générale sur le véhicule;

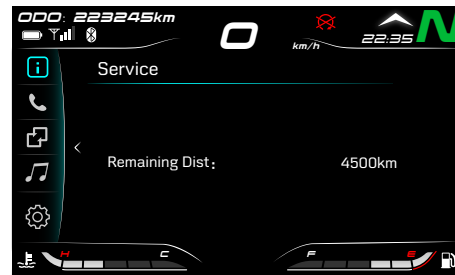
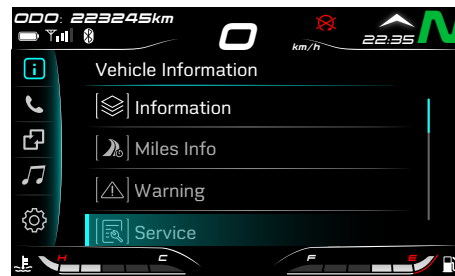
Pressez \triangle ou ∇ pour choisir **Service**, puis pressez ENT pour valider votre choix.

Remise à zéro du rappel d'entretien

Sur l'interface Service, pressez ENT pendant 10 secondes, puis un message demandant une confirmation s'affiche.

Confirmez votre choix pour que la remise à zéro puisse être complétée.

Ou encore, vous pouvez demander à un concessionnaire agréé de CFMOTO d'effectuer la remise à zéro de l'intervalle entre les services, une fois l'entretien du véhicule terminé.



COMMANDES ET CARACTÉRISTIQUES

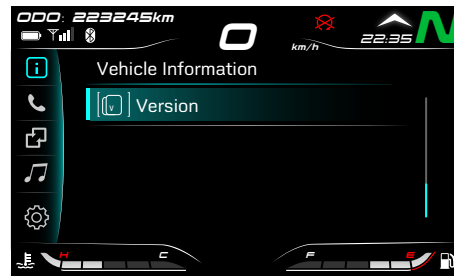
Version

L'interface Version affiche les versions logicielle et matérielle du tableau de bord.

Pressez ENT pour accéder à l'interface Menu;

Pressez Δ ou ∇ pour choisir **Vehicle Information** (information générale sur le véhicule), puis pressez ENT pour aller à l'interface d'information générale sur le véhicule;

Pressez Δ ou ∇ pour choisir **Version**, puis pressez ENT pour valider votre choix.



COMMANDES ET CARACTÉRISTIQUES

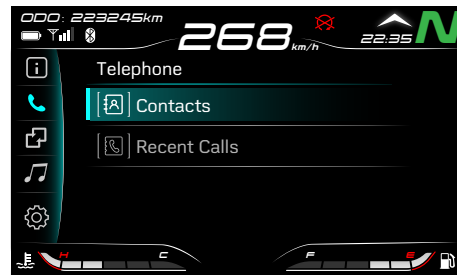
Téléphone

Dans le menu Telephone, vous pouvez voir le contenu suivant :

Contacts

Recent Calls (Appels récents)

REMARQUE : Avant d'utiliser le téléphone, l'appareil doit être correctement connecté, et le casque d'écoute téléphone devrait être connecté au tableau de bord.



COMMANDES ET CARACTÉRISTIQUES

Contacts

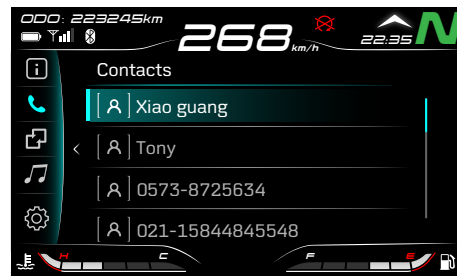
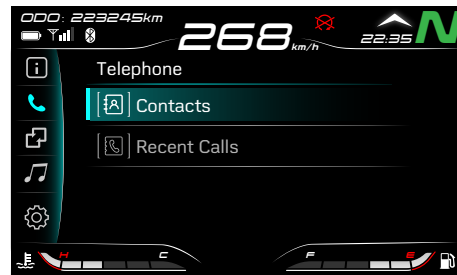
On the Contacts interface, you can view the contacts recorded
Sur l'interface Contacts, vous pouvez voir la liste des contacts
enregistrés sur votre téléphone portable connecté via Bluetooth,
et faire des appels à ces contacts.

Pressez ENT pour accéder à l'interface Menu;

Pressez longuement Δ ou ∇ pour choisir Telephone, puis
pressez ENT pour aller à l'interface **Téléphone**;

Pressez Δ ou ∇ pour choisir **Contacts**, puis pressez ENT pour
valider votre choix;

Pressez Δ ou ∇ pour choisir le numéro, puis pressez ENT pour
composer le numéro.



COMMANDES ET CARACTÉRISTIQUES

Appels récents

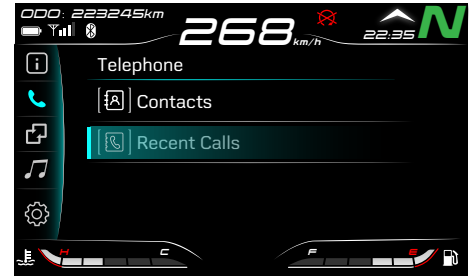
Sur l'interface Recent Calls, vous pouvez voir la liste des appels récents enregistrés sur votre téléphone portable connecté via Bluetooth, et faire des appels.

Pressez ENT pour accéder à l'interface Menu;

Pressez Δ ou ∇ pour choisir **Telephone**, puis pressez ENT pour aller à l'interface Téléphone;

Pressez Δ ou ∇ pour choisir **Recent Calls**, puis pressez ENT pour valider votre choix;

Pressez Δ ou ∇ pour choisir le numéro voulu dans la liste des appels récents, puis pressez ENT pour composer le numéro.



COMMANDES ET CARACTÉRISTIQUES

Interconnexion de téléphone (si la moto en est équipée)

L'interface Phone Connection (interconnexion de téléphone) vous permet d'utiliser la fonction de projection sur l'écran lorsque le téléphone est connecté.

Le motocycliste dispose de deux options sur l'appli CFMOTO PLAY pour accéder à cette fonction :

1. La connexion facile
2. Scanner le code QR

Option 1 :

Ouvrez l'appli CFMOTO PLAY et choisissez Easy Connection (Connexion facile) pour accéder à l'interface de projection.

Option 2 :

Pressez ENT pour accéder à l'interface Menu;

Pressez Δ ou ∇ pour choisir

Presser Δ ou ∇ pour choisir **Phone Connection** (interconnexion de téléphone), puis pressez ENT pour aller à l'interface.

Ouvrez l'appli CFMOTO PLAY et choisissez **Scan the QR Code** (Scanner le code QR) pour accéder à l'interface de projection.



COMMANDES ET CARACTÉRISTIQUES

Lorsque la fonction Phone Connection (interconnexion de téléphone) est activée, les données de navigation peuvent être projetées sur l'interface d'interconnexion de téléphone.

Lorsque vous êtes dans l'interface de projection, pressez « RETURN » (Retour) pour revenir à la carte de navigation. Si aucune commande n'est émise, l'écran revient automatiquement à l'interface d'accueil après 30 secondes.

Pressez « RETURN » (Retour) une nouvelle fois pour retourner au menu. Inversement, pressez deux fois ENT pour revenir à l'interface de projection.

Si vous désactivez l'appli CFMOTO PLAY ou si l'Internet est déconnecté, l'écran du tableau de bord revient automatiquement à l'interface d'accueil.

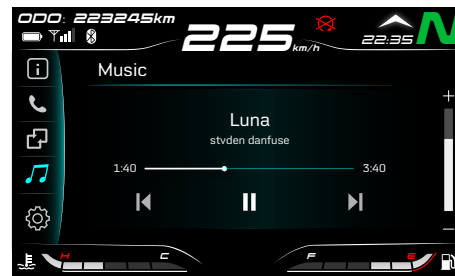
COMMANDES ET CARACTÉRISTIQUES

Musique

Sur l'interface Music (Musique), vous pouvez, via Bluetooth, écouter de la musique enregistrée sur votre téléphone et utiliser le tableau de bord pour accéder aux commandes habituelles d'écoute : aller au précédent ou prochain morceau de musique, faire une pause, continuer, régler le volume et autres fonctions. Pressez ENT pour aller à l'interface Menu;

Pressez Δ ou ∇ pour choisir **Music**, puis pressez ENT pour aller à l'interface Music.

Pour écouter de la musique enregistrée sur votre téléphone.

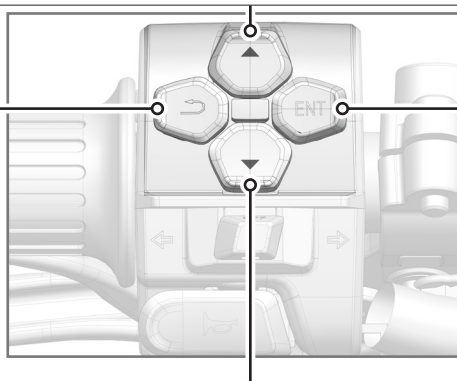


COMMANDES ET CARACTÉRISTIQUES

Pour de la musique : dans l'interface d'accueil, pressez ici pour augmenter le volume, et pressez longuement pour choisir le morceau précédent.

Dans l'interface Menu, pressez ici pour augmenter le volume, et pressez longuement pour choisir le morceau précédent.

Pour de la musique : sur le menu, revenir à l'interface d'accueil.



Pour de la musique : sur l'interface d'accueil, presser ici pour accéder au menu de premier niveau, et pressez longuement pour faire une pause ou pour écouter.

Pour de la musique : dans l'interface Menu, presser ici pour faire une pause ou pour écouter.

Pour de la musique : sur l'interface d'accueil, presser ici pour abaisser le volume ou pressez longuement pour aller au prochain morceau.

Pour de la musique : dans l'interface Menu, presser ici pour abaisser le volume ou pressez longuement pour aller au prochain morceau.

UTILISATION DU VÉHICULE

Période de rodage

La période de rodage de ce véhicule correspond aux premiers 1000 km (600 miles). Veuillez maintenir le véhicule conformément aux exigences de la période de rodage.

Il est important de porter une attention particulière aux éléments suivants durant cette période :

1. Ne faites pas tourner le moteur à plein régime juste après son démarrage. Laissez le moteur tourner au ralenti durant 2 à 3 minutes pour qu'il chauffe et pour permettre à l'huile d'en lubrifier toutes les pièces.
2. Ne laissez pas tourner le moteur à régime élevé lorsque le sélecteur de vitesse est sur la position neutre.
3. Au cours de la période de rodage, CFMOTO recommande le régime moteur maximal comme ci-dessous :

Odomètre	Régime maximal du moteur
0 à 500 km (0 à 300 miles)	4000 RPM
500 à 1000 km (300 à 600 miles)	6000 RPM

DANGER

Les pneus neufs sont glissants : ils peuvent vous faire perdre le contrôle de la moto et causer des blessures. Assurez-vous que la pression des pneus, lors de la période de rodage de 1000 km, soit conforme à la valeur précisée. Évitez les freinages/accélération brusques, ainsi que les virages serrés durant la période de rodage.

UTILISATION DU VÉHICULE

Inspection quotidienne de sécurité

La vérification des éléments ci-dessous avant la conduite quotidienne aidera à maintenir la sûreté et la fiabilité de votre véhicule. Si quelque chose vous semble inhabituel, reportez-vous à la section Entretien du manuel ou contactez votre concessionnaire. Ne conduisez pas le véhicule en cas de condition anormale, car cela pourrait mener à de sérieux dommages ou à des accidents.

Élément	Inspection
Huile moteur	Vérifiez que le niveau de l'huile moteur est au niveau approprié.
Réservoir de liquide du frein arrière	Vérifiez que le réservoir de liquide du frein arrière est au niveau approprié.
Roue arrière	Vérifiez que la roue et le pneu arrière ne montrent pas d'usure excessive ni de craquelures ou coupures, d'objets incrustés ou d'autres dommages. Assurez-vous que la pression du pneu arrière est dans la gamme acceptable.
Frein arrière	Vérifiez l'épaisseur de la plaquette du frein arrière. Vérifiez l'épaisseur du disque du frein arrière et assurez-vous que le disque n'est ni sale ni endommagé.
Chaîne et pignons	Assurez-vous que la chaîne et les pignons de transmission ne sont ni sales ni usés, et vérifiez que la tension de la chaîne est convenable.
Roue avant	Vérifiez que la roue et le pneu avant ne montrent pas d'usure excessive ni de craquelures ou coupures, d'objets incrustés ou d'autres dommages. Assurez-vous que la pression du pneu avant est dans la gamme acceptable.
Frein avant	Vérifiez l'épaisseur de la plaquette du frein avant. Vérifiez l'épaisseur du disque du frein avant et assurez-vous que le disque n'est ni sale ni endommagé.

UTILISATION DU VÉHICULE

Porte-bagages (si la moto en est équipée)	Vérifiez que le porte-bagages est bien fixé et assurez-vous que la hauteur du porte-bagages est conforme aux règlements locaux.
Liquide de refroidissement	Vérifiez que le niveau du liquide dans le réservoir du liquide de refroidissement est au niveau approprié.
Tableau de bord et niveau du carburant	Vérifiez les indicateurs de défaillance sur le tableau de bord et assurez-vous que le réservoir de carburant est suffisamment plein.
Rétroviseurs	Assurez-vous que les rétroviseurs ont un angle de vue optimal adéquat.
Éclairage	Assurez-vous que tous les feux fonctionnent correctement et que la hauteur du feu de route avant est conforme aux règlements locaux.
Pièces de commande	Vérifiez que le guidon, la direction, le frein avant et le frein arrière, l'accélérateur et tous les commutateurs fonctionnent adéquatement.
Béquille latérale	Vérifiez que le ressort de rappel de la béquille latérale ou principale n'est ni desserré ni endommagé.
Bouton d'arrêt	Vérifiez que le bouton d'arrêt fonctionne adéquatement.

UTILISATION DU VÉHICULE

DANGER

Vérifiez toujours le véhicule avant de le piloter.

L'utilisateur doit détenir un permis de conduire valide pour le véhicule avant de le piloter.

Apprenez les règlements locaux et n'utilisez pas la moto dans les zones où de tels véhicules sont interdits.

Ne mettez pas en marche la moto dans un endroit fermé ou un endroit sans système de ventilation adéquat. Les gaz d'échappement produits lors du fonctionnement du moteur peuvent provoquer des pertes de conscience, voire la mort.

UTILISATION DU VÉHICULE

Préparation au démarrage

Relevez la béquille latérale et asseyez-vous sur le siège du véhicule.

Tournez le contacteur d'allumage sur la position ON (marche).

Placez le sélecteur de vitesse sur la position Neutre.

Tournez le bouton d'arrêt sur la position "⚡".

Appuyez sur le bouton de démarrage.

ATTENTION

Faire tourner le moteur à régime élevé lorsqu'il fait froid risque de réduire la durée de vie du moteur. Réchauffez toujours le moteur à faible régime.

Ne démarrez pas la moto avec le bouton de démarrage avant d'avoir vérifié au préalable le tableau de bord.

La moto est équipée d'un contacteur de la pédale d'embrayage. Tirez le levier d'embrayage et sélectionnez la vitesse : le véhicule ne peut démarrer que si la béquille est relevée.

La moto est équipée d'un contacteur de béquille latérale. Lorsque le sélecteur de vitesse est en position neutre et la béquille relevée, le véhicule peut démarrer.

Si vous sélectionnez une vitesse avec la béquille abaissée, le moteur s'arrêtera.

Ne pressez pas le contacteur de démarrage pendant plus de cinq (5) secondes, sinon la batterie risque de se décharger rapidement. Attendez au moins 15 secondes avant de presser de nouveau le contacteur de démarrage.

Il est recommandé de ne pas laisser le moteur de la moto tourner au ralenti pendant plus de 30 minutes, car cela provoquera une surchauffe de la batterie et en réduira la durée de vie utile.

UTILISATION DU VÉHICULE

Démarrage de la moto

Saisissez le levier d'embrayage, passez le sélecteur de vitesse à la 1ère vitesse, puis relâchez progressivement le levier d'embrayage tout en accélérant légèrement en utilisant la poignée de l'accélérateur.

Passage des vitesses et conduite

Saisissez le levier d'embrayage et relâchez l'accélérateur.

Passez le sélecteur sur une vitesse plus élevée, selon le besoin.

Relâchez le levier d'embrayage puis actionnez en même temps et lentement l'accélérateur pour compléter le passage à la vitesse souhaitée.

Tenez en tout temps le guidon avec les deux mains lorsque vous conduisez en tenant la poignée de l'accélérateur.

AVERTISSEMENT

Évitez tout changement de charge brusque ou tout freinage brusque, car cela peut vous faire perdre le contrôle du véhicule.

Ajustez la vitesse en fonction de la condition des routes et de la situation autour de vous.

Lorsque le régime moteur est élevé, ne passez pas à un rapport inférieur. Relâchez d'abord l'accélérateur et réduisez le régime du moteur.

Tous les réglages et ajustements pour l'utilisation du véhicule doivent être effectués pendant que le véhicule est à l'arrêt.

Le passager doit être bien assis sur le siège passager avec ses pieds bien appuyés sur les repose-pieds arrière, porter un casque et toute autre protection de sécurité, et se tenir à la taille du conducteur avec les deux mains ou bien tenir la poignée de maintien.

Conformez-vous au code de la route local en ce qui concerne l'âge minimum d'un passager.

UTILISATION DU VÉHICULE

AVERTISSEMENT

Conformez-vous à toutes les règles locales de la circulation. Roulez prudemment et en essayant d'anticiper toute source de danger éventuel.

Lorsque les pneus sont froids, ils adhèrent moins bien à la route. Faites attention et conduisez à vitesse moyenne sur plusieurs kilomètres jusqu'à ce que les pneus atteignent leur température adéquate pour la route.

Ne dépassez pas la charge utile autorisée. La charge utile admissible inclut le poids du véhicule avec le réservoir de carburant plein, plus le poids du conducteur, du passager et des bagages.

Des bagages qui glissent affecteront la maniabilité du véhicule : assurez-vous que les bagages soient solidement arrimés sur le véhicule et que leur largeur ne dépasse pas 0,15 m de chaque côté du guidon.

En cas d'accident, les dommages résultant d'une chute pourraient être plus sérieux qu'il n'y paraît. Inspectez le véhicule complètement pour vous assurer qu'il est sécuritaire, ou amenez-le chez un concessionnaire CFMOTO pour vérification.

Un passage des vitesses incorrect peut occasionner des dommages à la transmission.

Actionnez l'accélérateur en fonction des conditions de la route et de la météo. Ne changez pas de vitesse et actionnez prudemment l'accélérateur dans les virages.

UTILISATION DU VÉHICULE

Freinage

Relâchez l'accélérateur lorsque vous appliquez les freins, et utilisez le frein des roues avant et arrière en même temps pour freiner.

Finissez de freiner avant de prendre un virage, et passez à un rapport inférieur en fonction de la vitesse voulue.

Sur les longues distances en pente descendante, utilisez le frein moteur par compression et passez à des rapports inférieurs, mais ne laissez pas tourner le moteur à régime élevé. Lorsque vous utilisez l'effet du frein moteur, cela permet de réduire le pouvoir de freinage exigé du système de freinage, et aussi à réduire la possibilité de surchauffe.

AVERTISSEMENT

L'humidité et la saleté nuisent au système de freinage. Freinez prudemment plusieurs fois de suite afin d'éliminer l'humidité et d'enlever la saleté des plaquettes et des disques de frein.

Si le levier du frein à main et la pédale du frein semblent mous durant le freinage, cessez de rouler jusqu'à ce que le système de freinage soit entièrement vérifié et le défaut éliminé.

Levez votre pied de la pédale de frein lorsque vous ne freinez pas. Une longue pression sur la pédale du frein provoquera la surchauffe de la garniture du frein et un frottement excessif, ce qui réduira la durée de vie et nuira au fonctionnement sécuritaire des freins.

Lorsque vous transportez un passager ou des bagages, la distance de freinage sera plus longue. Veillez à ajuster le temps de freinage en fonction de la charge du véhicule.

Lorsque le système ABS est activé, la puissance de freinage de la moto est maximum même sur des surfaces offrant une mauvaise adhérence des pneus au sol (par ex., sur terrain sablonneux, humide ou glissant) et ne bloquera pas les roues.

UTILISATION DU VÉHICULE

Stationnement

Arrêtez la moto avec le frein.

Placez le sélecteur de vitesse sur la position Neutre.

Tournez le contacteur d'allumage sur la position OFF.

Garez la moto sur un sol ferme et plat.

Utilisez la béquille latérale pour soutenir le véhicule.

Tournez le guidon vers la gauche à un angle maximum, puis verrouillez le guidon à l'aide de la clé.

Enlevez la clé et gardez-la.

AVERTISSEMENT

Lorsque le moteur tourne, ne laissez pas le véhicule sans surveillance.

Assurez-vous de ne laisser aucune personne non autorisée utiliser votre véhicule.

Verrouillez le guidon lorsque vous laissez le véhicule sans surveillance.

Lorsque vous venez de couper le moteur, certaines pièces seront brûlantes. Ne touchez aucune pièce comme le pot d'échappement, le système de refroidissement, le moteur ou le circuit de freinage avant que le véhicule soit complètement refroidi.

Ne garez pas votre véhicule près de matières facilement inflammables ou explosives. Les pièces très chaudes risquent d'enflammer ces matières.

Ne pas suivre les procédures adéquates pour garer la moto peut entraîner une chute ou un renversement du véhicule, ce qui causera de sérieux dommages.

CONDUITE DU VÉHICULE EN TOUTE SÉCURITÉ

Technique de conduite de la moto en toute sécurité

Les précautions suivantes doivent être prises pour un usage quotidien de la moto et elles doivent être scrupuleusement respectées pour une conduite sûre et efficace du véhicule :

- Pour votre sécurité, une protection des yeux et un casque homologué sont vivement recommandés. Vous devez être au courant des règles de sécurité avant de piloter la moto. Des gants et des chaussures convenables doivent également être portés pour une protection supplémentaire.
- Portez des vêtements protecteurs durant la conduite en cas de collision avec d'autres véhicules. Sans vêtements protecteurs adéquats, aucune sûreté ne peut être assurée. Avant de changer de voie, regardez par-dessus votre épaule pour vous assurer que la voie est libre. Ne vous fiez pas uniquement à vos rétroviseurs. Vous devez évaluer avec discernement la distance et la vitesse des autres véhicules arrivant derrière vous, sinon des accidents peuvent survenir.
- Lorsque vous gravissez des pentes raides, utilisez un rapport inférieur pour maintenir plus de puissance et de couple moteur, plutôt que de surcharger le moteur.
- Lorsque vous freinez, appliquez les freins avant et arrière en même temps. En appliquant un seul frein pour un freinage brusque peut entraîner un dérapage et une perte de contrôle de la moto.
- Lorsque vous descendez de longues pentes, contrôlez la vitesse du véhicule en relâchant l'accélérateur. Utilisez les freins avant et arrière pour le freinage auxiliaire.
- Si vous roulez sur une route mouillée, fiez-vous davantage à l'accélérateur qu'aux freins avant et arrière pour contrôler la vitesse du véhicule. L'accélérateur doit également être utilisé judicieusement pour éviter un dérapage de la roue arrière durant une accélération ou une décélération rapide.
- Rouler à la vitesse appropriée et éviter toute accélération inutile sont importants non seulement pour des raisons de sécurité et de plus faible consommation de carburant, mais aussi pour assurer une plus longue durée de vie du véhicule et une conduite moins bruyante.

CONDUITE DU VÉHICULE EN TOUTE SÉCURITÉ

- Lorsque vous roulez par temps pluvieux ou sur des routes meubles, la performance du véhicule diminuera. Dans de telles conditions, toutes vos actions doivent être plus douces et souples. Une accélération, un freinage ou un virage effectués brusquement peut entraîner une perte de contrôle de la moto.
- Pratiquez vos compétences de conduite. Dans une zone bien dégagée, exercez-vous prudemment, entraînez-vous à ralentir et à serrer le réservoir de carburant entre les genoux pour une meilleure stabilité. Lorsqu'une accélération rapide est nécessaire, par exemple pour un dépassement, passez à un rapport inférieur pour obtenir la puissance nécessaire.
- Ne rétrogradez pas à un régime moteur élevé, cela évitera d'endommager le moteur.
- Évitez l'emploi inutile de bandes de tissu car elles risquent d'empêtrer le pilote ou d'être prises dans la moto

CONDUITE DU VÉHICULE EN TOUTE SÉCURITÉ

Précautions supplémentaires pour la conduite à grande vitesse

Freins : Le freinage est très important, en particulier lorsque vous roulez à grande vitesse. Il ne faut pas trop forcer les freins. Vérifiez et remplacez les plaquettes plus souvent de façon à obtenir une meilleure performance.

Maniabilité : Un desserrement des pièces associées à la maniabilité peut provoquer une perte de contrôle de la moto. Assurez-vous que le guidon tourne librement mais sans secousse, et que les roues tournent sans secousse ni relâchement.

Pneus : La conduite à grande vitesse exige que les pneus soient en bonne condition. Des pneus en bon état garantissent une conduite sécuritaire. Vérifiez leur état général, gonflez-les à la bonne pression et vérifiez l'équilibre des roues.

Carburant : Ayez suffisamment de carburant dans le réservoir pour une conduite à grande vitesse.

Huile moteur : Pour éviter une défaillance du moteur qui pourrait entraîner une perte de contrôle de la moto, veillez à ce que le niveau d'huile soit toujours entre les lignes repères minimum et maximum.

Liquide de refroidissement : Afin d'éviter toute surchauffe, vérifiez le niveau du liquide de refroidissement et assurez-vous qu'il soit toujours entre les repères Minimum et Maximum.

Équipement électrique : Assurez-vous que les phares, les feux arrière, les feux de freinage, les clignotants, l'avertisseur sonore, etc. fonctionnent correctement.

Boulonnerie d'attache : Assurez-vous que tous les écrous et boulons soient bien serrés et que toutes les pièces liées à la sécurité de la conduite soient en bonne condition.

DANGER

Respectez le code de la route et ne roulez pas sur les autoroutes à des vitesses supérieures aux limites précisées. Dans certains pays ou régions, les motos sont interdites sur les voies rapides, à moins d'une approbation par les autorités de la circulation, et à moins que vous possédiez les compétences appropriées et l'équipement de protection adapté.

ENTRETIEN

Un entretien périodique soigneux aidera à garder votre véhicule dans l'état le plus sûr et le plus fiable possible. L'inspection, le réglage et la lubrification des composants importants sont expliqués dans le calendrier d'entretien périodique.

Vérifiez, nettoyez, lubrifiez, ajustez et remplacez les pièces si nécessaire. Lorsqu'une inspection révèle que des pièces de rechange sont nécessaires, utilisez toujours des pièces d'origine disponibles auprès de votre concessionnaire.

REMARQUE

La maintenance et les ajustements périodiques sont essentiels. Si vous n'êtes pas familier avec l'exécution sécuritaire des procédures de maintenance et de réglage, demandez à un concessionnaire qualifié d'effectuer l'entretien requis pour vous.

Portez une attention particulière au niveau d'huile moteur pendant l'utilisation du véhicule par temps froid. Une élévation du niveau d'huile moteur par temps froid peut indiquer des contaminants s'accumulant dans le carter d'huile ou dans le carter lui-même. Changez l'huile immédiatement si le niveau d'huile commence à monter. Surveiller le niveau d'huile et, s'il continue d'augmenter, arrêtez l'utilisation et déterminez la cause, ou consultez votre concessionnaire.

ENTRETIEN

Définition d'une utilisation abusive

CFMOTO définit l'utilisation abusive comme étant :

- Une immersion fréquente de la moto dans des endroits boueux, mouillés ou sablonneux
- De la course ou une utilisation à haute vitesse de style course
- Une conduite prolongée à basse vitesse et avec une lourde charge
- Un fonctionnement prolongé du véhicule à régime ralenti du moteur
- Une utilisation de courte durée par temps froid
- Une utilisation dans des opérations commerciales

Si l'utilisation de votre véhicule correspond à l'une de ces définitions, réduisez les intervalles d'entretien de 50 %.

ENTRETIEN

Points clés du calendrier de lubrification

Vérifiez tous les composants aux intervalles indiqués dans le programme d'entretien périodique. Les éléments non répertoriés dans le calendrier d'entretien doivent être lubrifiés à l'intervalle de lubrification générale.

- Changez les lubrifiants plus souvent en cas d'utilisation intensive, par exemple dans des conditions humides ou poussiéreuses.
- Lubrifiez avant de longues périodes de remisage, après les lavages sous pression, ou après immersion du système d'entraînement.

Élément	Lubrifiant	Méthode
Huile moteur	SAE 10W-40 JASO MA2	Vérifier le niveau dans le hublot du niveau d'huile.
Liquide de frein	DOT4	Maintenez le niveau du liquide entre les repères Maximum et Minimum.

ENTRETIEN

Calendrier d'entretien durant la période de rodage

Élément	Intervalle d'entretien durant la période de rodage (Effectuez à l'intervalle qui survient le premier)				
	Mois	Miles	Km	Remarques	
Moteur					
■	Huile moteur et filtre à huile	-	600	1000	Changer
■	Préfiltre à huile	-	600	1000	nettoyer
	Régime de ralenti	-	600	1000	Vérifier
■	Liquide de refroidissement	-	-	1000	
	Système d'accélération	-	600	1000	
Circuit électrique					
■	Fonctions et pièces électriques	-	600	1000	Vérifier
	Batterie	-	600	1000	
	Fusibles ou disjoncteurs	-	600	1000	

▲ = Réduire l'intervalle d'entretien de 50 % pour les véhicules soumis à un usage intensif.

■ = Demandez à un concessionnaire agréé d'effectuer les réparations concernant ce composant ou système.

ENTRETIEN

Élément	Intervalle d'entretien durant la période de rodage (Effectuez à l'intervalle qui survient le premier)				Remarques
	Mois	Miles	Km		
Système de freinage					
	Disques des freins	-	600	1000	Vérifier
	Plaquettes des freins	-	600	1000	
	Niveau du liquide des freins	-	600	1000	
■	Flexibles de frein	-	600	1000	Vérifier s'ils sont endommagés et vérifier qu'ils sont bien scellés.
	Levier de frein	-	600	1000	Vérifier le jeu du levier.
Roues					
	État des pneus	-	600	1000	Vérifier
	Pression des pneus	-	600	1000	
Système de suspension					
■	Amortisseurs avant et arrière	-	600	1000	Vérifier s'il y a des fuites (faire l'entretien des fourches avant et de l'amortisseur arrière selon les prescriptions).
Système de direction					
■	Roulements de direction	-	600	1000	Vérifier et lubrifier.

▲ = Réduire l'intervalle d'entretien de 50 % pour les véhicules soumis à un usage intensif.

■ = Demandez à un concessionnaire agréé d'effectuer les réparations concernant ce composant ou système.

ENTRETIEN

Élément	Intervalle d'entretien durant la période de rodage (Effectuez à l'intervalle qui survient le premier)				Remarques
	Mois	Miles	Km		
Système de refroidissement					
	Niveau du liquide de refroidissement	-	600	1000	Vérifier
■	Liquide de refroidissement	-	600	1000	
■	Fonctionnement du ventilateur du radiateur	-	600	1000	
	Boyaux du liquide de refroidissement	-	600	1000	
Autres pièces					
■	Mémoire de commande des défaillances	-	600	1000	Lire avec ANP (assistant numérique personnel).
■	Pièces mobiles	-	600	1000	Lubrifier. Vérifier leur flexibilité.
■	Boulonnerie	-	600	1000	Vérifier si les écrous et boulons sont bien serrés.
■	Fils et câbles	-	600	1000	Vérifier s'ils sont endommagés ou pliés; vérifier le cheminement des câblages.

▲ = Réduire l'intervalle d'entretien de 50 % pour les véhicules soumis à un usage intensif.

■ = Demandez à un concessionnaire agréé d'effectuer les réparations concernant ce composant ou système.

ENTRETIEN

Calendrier d'entretien périodique

Élément		Intervalle d'entretien périodique (Effectuez à l'intervalle qui survient le premier)			
		Mois	Miles	Km	Remarques
Moteur					
	Huile moteur et filtre à huile	6M	3000	5000	Remplacer.
	Préfiltre à huile	6M	3000	5000	Nettoyer.
■	Embrayage	-	3000	5000	Vérifier, réparer ou remplacer si nécessaire.
	Régime de ralenti	-	3000	5000	Vérifier et ajuster si nécessaire.
■	Liquide de refroidissement	24M	21000	35000	Remplacer.
■	Système d'accélération	-	9000	15000	Vérifier et ajuster si nécessaire.
■	Papillon des gaz	-	3000	5000	Nettoyer.
▲ ■	Élément du filtre à air	-	3000	5000	Nettoyer.
		24M	12000	20000	Remplacer.
■	Bougie d'allumage	-	3000	5000	Vérifier et remplacer si nécessaire.
		-	6000	10000	Remplacer.
■	Jeu des soupapes	-	24000	40000	Vérifier et ajuster si nécessaire.

▲ = Réduire l'intervalle d'entretien de 50 % pour les véhicules soumis à un usage intensif.

■ = Demandez à un concessionnaire agréé d'effectuer les réparations concernant ce composant ou système.

ENTRETIEN

Élément		Intervalle d'entretien périodique (Effectuez à l'intervalle qui survient le premier)			
		Mois	Miles	Km	Remarques
Circuit électrique					
■	Fonctions et pièces électriques	12M	6000	10000	Vérifier, réparer ou remplacer si nécessaire.
	Batterie	6M	3000	5000	Vérifier, recharger si nécessaire.
	Fusibles ou disjoncteurs	6M	3000	5000	Vérifier, remplacer si nécessaire.
■	Câbles	12M	6000	10000	Vérifier s'ils sont endommagés ou pliés; vérifier le cheminement des câblages.
Roues					
	État des pneus	12M	6000	10000	Vérifier, réparer ou remplacer si nécessaire.
	Pression des pneus	12M	6000	10000	Vérifier, regonfler si nécessaire.
■	Roulements de roue	-	6000	10000	Vérifier, réparer ou remplacer si nécessaire.

▲ = Réduire l'intervalle d'entretien de 50 % pour les véhicules soumis à un usage intensif.

■ = Demandez à un concessionnaire agréé d'effectuer les réparations concernant ce composant ou système.

ENTRETIEN

Élément		Intervalle d'entretien périodique (Effectuez à l'intervalle qui survient le premier)			
		Mois	Miles	Km	Remarques
Système de freinage					
	Système de freinage avant et arrière	12M	6000	10000	Vérifier, réparer ou remplacer si nécessaire.
	Disques des freins	12M	6000	10000	
▲	Plaquettes des freins	12M	6000	10000	
	Niveau du liquide des freins	12M	6000	10000	Vérifier, ajouter du liquide de frein si nécessaire.
■	Flexibles de frein	12M	6000	10000	Vérifier s'ils sont endommagés ou s'ils ont des fuites.
	Pédales de frein	12M	6000	10000	Vérifier s'il y a un jeu excessif.
■	Liquide de frein	24M	-	-	Remplacer.

▲ = Réduire l'intervalle d'entretien de 50 % pour les véhicules soumis à un usage intensif.

■ = Demandez à un concessionnaire agréé d'effectuer les réparations concernant ce composant ou système.

ENTRETIEN

Élément		Intervalle d'entretien périodique (Effectuez à l'intervalle qui survient le premier)			
		Mois	Miles	Km	Remarques
Système de suspension					
■	Système de suspension	-	3000	5000	Vérifier, réparer ou remplacer si nécessaire.
■	Amortisseurs avant et arrière	12M	6000	10000	Vérifier s'il y a des fuites (faire l'entretien des fourches avant et de l'amortisseur arrière selon les prescriptions).
Châssis					
	Châssis	-	18000	30000	Vérifier, réparer ou remplacer si nécessaire.
Système de direction					
■	Roulements de direction	12M	6000	10000	Vérifier, réparer ou remplacer si nécessaire.

▲ = Réduire l'intervalle d'entretien de 50 % pour les véhicules soumis à un usage intensif.

■ = Demandez à un concessionnaire agréé d'effectuer les réparations concernant ce composant ou système.

ENTRETIEN

Élément		Intervalle d'entretien périodique (Effectuez à l'intervalle qui survient le premier)			
		Mois	Miles	Km	Remarques
Système de refroidissement					
	Niveau du liquide de refroidissement	12M	6000	10000	Vérifier, ajouter du liquide de refroidissement si nécessaire.
■	Fonctionnement du ventilateur du radiateur	12M	6000	10000	Vérifier, réparer ou remplacer si nécessaire.
■	Boyaux du liquide de refroidissement	12M	6000	10000	
Chaîne et pignon					
▲	Graissage de la chaîne	-	350	600	Vérifier immédiatement après avoir roulé dans la pluie.
▲	Tension de la chaîne	-	600	1000	Vérifier et ajuster si nécessaire.
▲	Usure de la chaîne, pignon arrière et pignon moteur	12M	6000	10000	Vérifier et remplacer si nécessaire.

▲ = Réduire l'intervalle d'entretien de 50 % pour les véhicules soumis à un usage intensif.

■ = Demandez à un concessionnaire agréé d'effectuer les réparations concernant ce composant ou système.

ENTRETIEN

Élément		Intervalle d'entretien périodique (Effectuez à l'intervalle qui survient le premier)			
		Mois	Miles	Km	Remarques
Autres pièces					
■	Mémoire commande des défaillances	12M	6000	10000	Lire avec ANP (assistant numérique personnel).
■	Pièces mobiles	12M	6000	10000	Lubrifier. Vérifier leur flexibilité.
■	Boulonnerie	12M	6000	10000	Vérifier si les écrous et boulons sont bien serrés.
■	Fils et câbles	12M	3000	5000	Vérifier s'ils sont endommagés ou pliés; vérifier le cheminement des câblages.
■	Tuyaux, conduits, flexibles et gaines	12M	6000	10000	Vérifier s'ils sont fissurés, s'ils fuient, et si leur cheminement est correct.

▲ = Réduire l'intervalle d'entretien de 50 % pour les véhicules soumis à un usage intensif.

■ = Demandez à un concessionnaire agréé d'effectuer les réparations concernant ce composant ou système.

ENTRETIEN

JEU DU LEVIER D'EMBRAYAGE

Vérifiez la souplesse du levier d'embrayage.

Redressez le guidon.

Tirez lentement le levier d'embrayage jusqu'à ce que vous ressentiez de la résistance. Vérifiez le jeu libre du levier d'embrayage.

Jeu admissible : 0.39 po (10 mm)

AVERTISSEMENT

Si le levier d'embrayage ne présente aucun jeu, le câble de l'embrayage subit une tension.

Si le levier d'embrayage ne présente aucun jeu, le câble d'embrayage pourrait appliquer une pression sur le levier côté moteur, accélérant ainsi l'usure et le glissement.

Vérifiez le jeu du levier chaque fois avant de démarrer le moteur.

Réglez le jeu du levier d'embrayage si nécessaire.

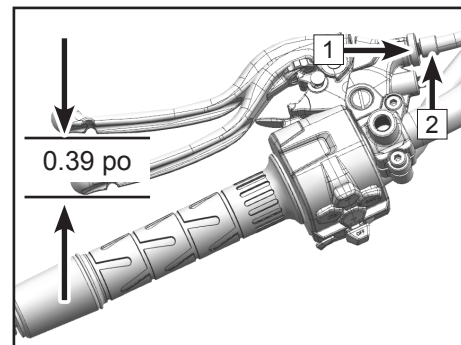
Ajustement précis du jeu du levier d'embrayage

Redressez le guidon.

Desserrez le contre-écrou **1**.

Tournez l'écrou de réglage **2** pour effectuer l'ajustement.

Une fois le jeu souhaité obtenu, resserrez le contre-écrou **1**.



ENTRETIEN

AJUSTEMENT DU LEVIER DES VITESSES

Vous pouvez ajuster le levier des vitesses pour l'adapter à vos habitudes de conduite.

Plage d'ajustement : $\pm 0,2$ po (± 5 mm)

Ajustement du levier des vitesses

Desserrez le contre-écrou **1**.

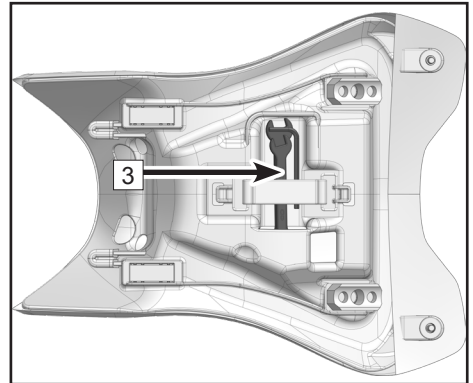
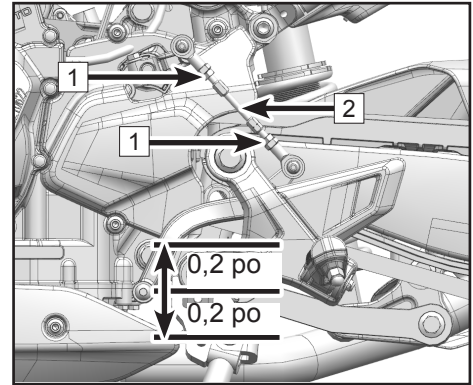
Tournez la bielle centrale **2** dans le sens horaire pour élever le levier des vitesses.

Tournez la bielle centrale **2** dans le sens antihoraire pour abaisser le levier des vitesses.

Resserrez le contre-écrou **1**.

TROUSSE À OUTILS

La trousse à outils **3** se trouve en général sous le coussin du siège. Ces outils aident à l'entretien et au démontage/remontage de certaines pièces du véhicule.



ENTRETIEN

CIRCUIT D'ALIMENTATION DE CARBURANT

Réservoir de carburant

Évitez de renverser de l'essence sur le réservoir de carburant durant le remplissage. En cas de déversement, essuyez immédiatement pour éviter toute pollution ou toute possibilité de danger.

La capacité du réservoir de carburant est de 14 L (3,7 gal).

DANGER

L'essence est très inflammable et peut être explosive dans certaines conditions. Faites toujours le plein dans un lieu bien ventilé. Avant de remplir le réservoir, coupez le moteur et laissez le moteur et le pot d'échappement se refroidir. Ne fumez pas et évitez à tout prix des gestes qui risquent de créer des étincelles dans ou à proximité de l'endroit où vous faites le plein, ou du lieu où de l'essence est entreposée.

Ne remplissez jamais le réservoir excessivement. Évitez tout débordement de carburant sur des pièces très chaudes. Le niveau de carburant ne doit pas dépasser l'ouverture du réservoir. Lorsqu'il commence à faire chaud, l'essence peut s'échauffer et se dilater, risquant alors de se renverser et d'endommager des pièces de la moto.

L'essence est toxique et nocive pour la santé. Évitez tout contact de carburant avec la peau, les yeux et les vêtements. Évitez d'inhaler les vapeurs de carburant.

ENTRETIEN

DANGER

Si de l'essence se renverse sur votre peau, rincez abondamment à l'eau claire.

Si de l'essence entre en contact avec vos yeux, rincez-les abondamment à l'eau claire puis consultez un médecin dans les plus brefs délais.

Si de l'essence entre en contact avec vos vêtements, changer de vêtements immédiatement.

Si vous avalez de l'essence par erreur, consultez un médecin immédiatement.

Après l'entretien ou la réparation d'autres pièces du circuit de carburant, contactez votre concessionnaire pour une inspection complète afin d'éviter des fuites de carburant ou d'autres dangers.

Débarrassez-vous du carburant de façon appropriée afin d'éviter toute dégradation de l'environnement.

ENTRETIEN

Exigences en matière de carburant

Il est recommandé d'utiliser, pour cette moto, de l'essence sans plomb à indice d'octane de 87 ou plus élevé.

ATTENTION

N'utilisez pas d'essence au plomb car elle détruira le pot catalytique. (Pour une meilleure compréhension, reportez-vous aux informations sur le pot catalytique.)

Assurez-vous de toujours utiliser de l'essence fraîche. L'essence s'oxyde avec le temps, entraînant une perte d'octane et de composés volatils. Elle crée également des dépôts de colloïdes et de laque qui peuvent endommager le circuit d'alimentation de carburant.

Indice d'octane (RON)

« RON » est un terme technique généralement utilisé pour décrire l'indice d'octane de l'essence. Plus l'indice d'octane de l'essence est élevé, plus la résistance aux cognements et aux détonations est grande. Utilisez toujours de l'essence sans plomb avec un indice d'octane d'au moins 87.

ATTENTION

Si le moteur a un cylindre qui fait entendre des cognements ou des détonations, utilisez une essence sans plomb de meilleure qualité ou présentant un indice d'octane (RON) plus élevé.

ENTRETIEN

ENSEMBLE MOTEUR

Pour que le moteur, la transmission, l'embrayage et d'autres pièces fonctionnent convenablement, il faut maintenir le niveau de l'huile moteur entre les repères supérieur et inférieur dans le hublot niveau d'huile. Vérifiez et remplacez l'huile conformément au Calendrier d'entretien périodique. Un moteur trop peu souvent lubrifié provoquera non seulement de la saleté et des impuretés métalliques dans l'huile moteur, mais celle-ci tendra aussi à se consommer lentement.

DANGER

Une moto avec une insuffisance d'huile moteur ou une huile dégradée ou fortement contaminée accélérera l'usure et pourrait entraîner un grippage du moteur ou de la transmission, un accident et/ou des blessures.

ENTRETIEN

Vérification du niveau de l'huile moteur

Assurez-vous que le véhicule est arrêté et le moteur coupé.

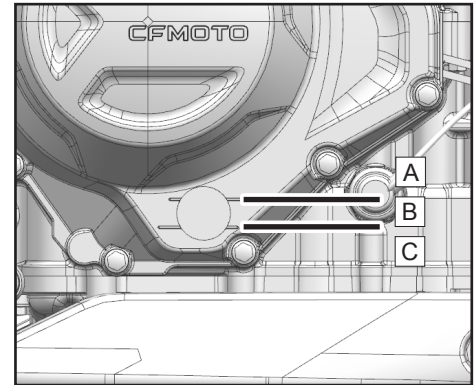
Si le moteur était en marche pendant un certain temps avant d'être coupé, attendez 2 à 3 minutes pour que l'huile se stabilise.

Garez le véhicule sur sa béquille latérale sur une surface plane. Vérifiez le niveau d'huile moteur à travers le hublot du niveau d'huile :

Si le niveau d'huile est dans la zone A, vidangez le surplus d'huile jusqu'à ce que le niveau arrive dans la zone B.

Si le niveau d'huile est dans la zone B, il est correct.

Si le niveau d'huile est dans la zone C, ou s'il est carrément invisible, remplissez le moteur avec de l'huile recommandée jusqu'à ce que le niveau arrive dans la zone B.





ENTRETIEN

Changement de l'huile et du filtre à huile

Garez le véhicule sur sa béquille sur une surface plane.
Faites tourner le moteur au ralenti pendant plusieurs minutes pour réchauffer l'huile, puis couper le moteur.

AVERTISSEMENT

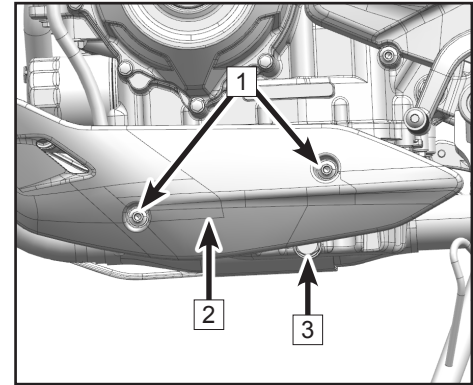
Réchauffer le moteur trop longtemps peut provoquer une augmentation de la température du moteur et de l'huile moteur. Veuillez porter des vêtements de protection et des gants appropriés lorsque vous changez l'huile. En cas de projections brûlantes, lavez immédiatement la zone touchée avec de l'eau courante pendant au moins 10 minutes, puis consultez un médecin.

Retirez le panneau de protection du côté gauche  en dévissant les boulons .

Placez un bac à huile sous l'orifice de vidange d'huile.

Enlevez le boulon aimanté de vidange d'huile et la rondelle .

Vidanger complètement l'huile usée.



ENTRETIEN

AVERTISSEMENT

L'huile est une substance toxique. Éliminez l'huile usagée de manière appropriée et responsable.

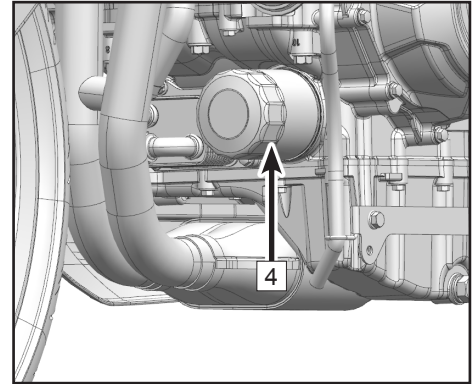
Remplacez l'ancien filtre à huile par un filtre neuf **4**.

Nettoyez le boulon de vidange d'huile et la zone autour du trou de vidange d'huile.

Placez une nouvelle rondelle sur le boulon de vidange d'huile, puis revissez le boulon de vidange d'huile et la rondelle.

Torque: 18.4 ft-lb (25 N•m)

Réinstallez le panneau de protection du côté gauche et les boulons de montage.



ENTRETIEN

Enlevez le bouchon vissable de remplissage d'huile **5**.

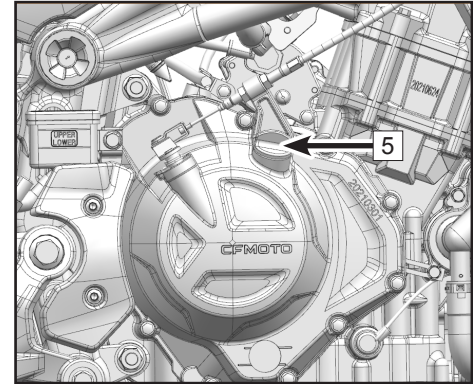
Versez 2,5 L (2,64 pintes) d'huile SAE 10W/40, JASOMA2.

Remplacez le bouchon vissable de remplissage d'huile.

Démarez le moteur et faites-le tourner au ralenti pendant plusieurs minutes pour permettre à l'huile de traverser le filtre à huile.

Coupez le moteur.

Vérifiez le niveau d'huile et ajustez-le jusqu'à atteindre la zone B.



Capacité du réservoir d'huile moteur

Changez le filtre en même temps que l'huile : 2,5 L (2,64 pintes)

CFMOTO recommande d'utiliser le type d'huile API SJ ou meilleure. L'huile JASO MA2 est le premier choix, mais l'huile JASO MA est également acceptable.

Bien que l'huile 10W-40 soit l'huile recommandée pour la plupart des conditions, la viscosité de l'huile peut être changée pour s'adapter aux conditions climatiques dans votre région. Reportez-vous au tableau de droite pour le choix de la viscosité selon la température ambiante.

Viscosité de l'huile	20W-50
	15W-40, 15W-50
	10W-40, 10W-50
	10W-30
	5W-30
°C	-30 -20 -10 0 10 20 30 40
°F	-22 -4 14 32 50 68 86 104

ENTRETIEN

Bougie d'allumage

La bougie d'allumage doit être remplacée conformément au Calendrier d'entretien périodique.

Le démontage-remontage de la bougie d'allumage doit être effectué uniquement par un concessionnaire agréé.

Type de bougie préconisé : BN8RTI.

Écartement des électrodes ¹ : 0.03 à 0.04 po (0.8 à 1 mm)

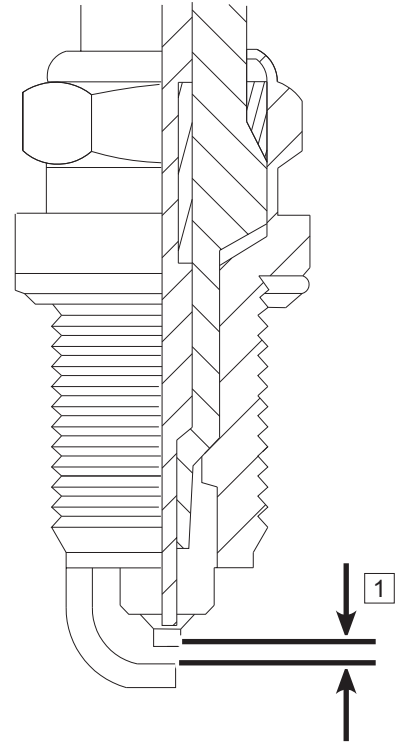
Couple de serrage : 8,8 pi-lb (12 N•m) à 11,1 pi-lb (15 N•m)

Régime de ralenti

Le régime de ralenti de ce véhicule a été ajusté en usine et ne doit pas être modifié par l'utilisateur, sinon cela nuirait à la performance de la moto. Lorsque des pièces régissant la commande de la vitesse de ralenti doivent être remplacées, contactez votre concessionnaire pour le remplacement et le recalibrage de l'ECU à l'aide de l'ANP (assistant numérique personnel).

⚠ DANGER

Un mauvais ajustement du régime de ralenti peut entraîner des conséquences graves.



SYSTÈME D'ADMISSION D'AIR ET D'ÉCHAPPEMENT

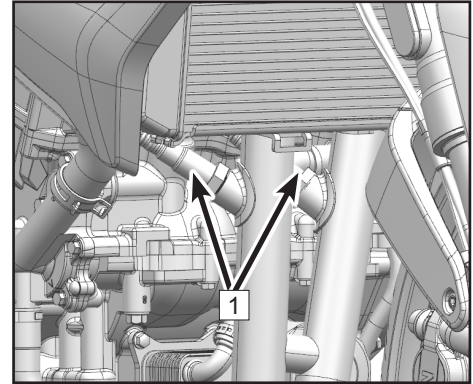
Système de détection des gaz d'échappement

Le système de détection des gaz d'échappement comprend deux capteurs d'oxygène **1**, chacun d'eux étant installé sur les tuyaux d'échappement. Ces capteurs détectent la quantité d'air et de combustion du carburant en mesurant la densité de l'oxygène et en la transmettant sous forme de signal électrique à l'ECU (bloc de commande électronique). Si l'ECU détermine que la combustion n'est pas optimale, il ajustera l'injection du carburant en fonction des signaux du capteur de position du papillon (TPS) et des sondes de température de l'air d'admission. De cette façon, le rapport air/carburant peut être optimisé pour une combustion complète.

Valve d'admission d'air

Une valve d'admission d'air est essentiellement une valve qui permet à de l'air frais de circuler dans le moteur seulement à travers le filtre à air. Tout flux d'air qui traverse la valve d'admission ne peut pas revenir en arrière. Demandez à un concessionnaire agréé de vérifier les valves d'admission d'air conformément au Calendrier d'entretien périodique. De même, faites vérifier les valves d'admission d'air toutes les fois que : il est impossible d'obtenir un régime de ralenti stable, la puissance du moteur est considérablement réduite, ou des bruits de moteur anormaux se font entendre.

La dépose et la vérification des valves d'admission d'air doivent être effectuées uniquement par un concessionnaire CFMOTO agréé.



ENTRETIEN

Jeu des soupapes

Les soupapes et les sièges de soupape du moteur s'usent durant le fonctionnement du moteur. C'est pourquoi il est nécessaire de les ajuster lorsque la moto a été utilisée pendant un certain de temps.

AVERTISSEMENT

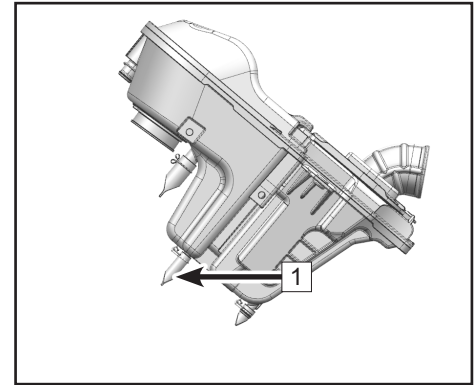
Si les soupapes et les poussoirs des sièges de soupape sont usés après une longue utilisation de la moto, et si l'ajustement du jeu des soupapes n'est pas effectué, cela pourrait éventuellement entraîner une perte du jeu ou provoquer une ouverture partielle des soupapes, réduisant ainsi la performance de la moto, rendant les soupapes bruyantes et pouvant endommager sérieusement le moteur. Le jeu de chaque soupape doit être vérifié et ajusté selon le Programme d'entretien périodique. L'inspection et l'ajustement doivent être réalisés par un concessionnaire agréé de CFMOTO.

ENTRETIEN

Filtre à air

Un filtre à air obstrué limite la circulation de l'air, accroît la consommation de carburant, réduit la puissance du moteur et provoque l'encrassement de la bougie d'allumage. L'élément de filtre à air doit être nettoyé selon le Calendrier d'entretien périodique. Durant la conduite dans des environnements de poussière, de pluie ou de boue, l'élément de filtre à air doit être entretenu plus souvent que l'intervalle recommandé dans le Calendrier d'entretien périodique. En raison de la conception de véhicule, le service du filtre à air doit être réalisé uniquement par un concessionnaire agréé.

Le boyau indicateur **1** du filtre à air vous signale lorsqu'une quantité excessive de poussière, d'huile résiduelle ou d'eau est accumulée dans le filtre à air.



ATTENTION

De l'huile sur les pneus et sur les pièces plastiques ou d'autres pièces entraînera des dommages.

Si de l'air non filtré est admis dans le moteur, cela nuira à la durée de vie utile du moteur.

Ne démarrez jamais le véhicule sans filtre à air.

Corps du papillon

Les vis de butée sur le corps du papillon ont été installées et serrées avec précision et ne peuvent pas être ajustées. Vérifiez si le régime de ralenti du véhicule est stable : si ce régime n'est pas stable, demandez à CFMOTO de vous référer à des techniciens professionnels pour traiter ce problème.

ENTRETIEN

SYSTÈME DE REFROIDISSEMENT

Radiateur et ventilateur

Vérifiez les ailettes du radiateur pour vous assurer qu'elles ne sont ni pliées ou déformées, ni obstruées par de la boue. Nettoyez tous les débris en utilisant un jet d'eau à basse pression.

AVERTISSEMENT

Afin d'éviter des blessures, gardez vos mains et vos vêtements loin des pales du ventilateur lorsqu'il fonctionne.

Utiliser de l'eau à haute pression pour laver le véhicule peut endommager les ailettes du radiateur et nuire à l'efficacité du radiateur.

Installer des accessoires non autorisés à l'avant du radiateur ou à l'arrière du ventilateur peut gêner le flux d'air sur le radiateur et entraîner une surchauffe et un endommagement du moteur.

Si la surface des ailettes du radiateur est endommagée à plus de 20% par des obstructions ou des ailettes déformées, et qu'il est impossible d'éliminer ces problèmes, changez le radiateur.

Durites du radiateur

Vérifiez si les durites du radiateur présentent des fuites, des fissures, des détériorations, de l'usure, de la rouille ou de la corrosion, et assurez-vous chaque jour, avant d'utiliser la moto, que les raccords des durites n'ont pas de fuite et ne sont pas desserrés. Vérifiez selon le Calendrier d'entretien périodique.

ENTRETIEN

Liquide de refroidissement

Le liquide de refroidissement absorbe la chaleur excessive du moteur et la renvoie dans l'atmosphère grâce au radiateur. Si le niveau du liquide de refroidissement est bas, le moteur surchauffera et pourrait subir de graves dommages. Vérifiez chaque jour le niveau du liquide de refroidissement avant d'utiliser la moto, et faites l'entretien conformément au Calendrier d'entretien périodique. Ajoutez du liquide de refroidissement si le niveau est trop bas.

Afin de protéger le système de refroidissement (le moteur et le radiateur contiennent des pièces en aluminium) contre la rouille et la corrosion, il est essentiel d'utiliser des produits chimiques qui contiennent des additifs antirouille et anticorrosion. Si le liquide contient déjà de tels produits, il est inutile de les ajouter séparément.

DANGER

Le liquide de refroidissement est toxique et nocif pour la santé.

Évitez tout contact du liquide de refroidissement avec la peau, les yeux ou les vêtements.

Si vous avalez par inadvertance du liquide de refroidissement, consultez un médecin immédiatement.

En cas de contact de liquide de refroidissement avec la peau, lavez immédiatement à grande eau la zone touchée.

En cas de contact de liquide de refroidissement avec les yeux, lavez les yeux à grande eau et consultez un médecin immédiatement.

Si vos vêtements sont éclaboussés par du liquide de refroidissement, changez-les et lavez-les au plus tôt.

Toute corrosion ou rouille enlevée du moteur et du radiateur doit être éliminée de manière appropriée selon des instructions spéciales. Les produits chimiques qui y sont contenus sont nocifs pour le corps humain.

ENTRETIEN

ATTENTION

N'ajoutez pas d'eau du robinet dans le système du liquide de refroidissement, car cela peut causer une accumulation de dépôt à l'intérieur du système de refroidissement. En effet, lorsque la température ambiante chute au-dessous de 0 °C, l'eau peut geler et entraîner des conséquences graves allant jusqu'à une défaillance du système de refroidissement.

Les antigels en bouteille vendus sur le marché contiennent des propriétés anticorrosion et antirouille. Si l'antigel est trop dilué, il perd ses propriétés anticorrosion et antirouille. Utilisez toujours la concentration d'antigel en conformité avec les instructions du fabricant.

Lorsque vous remplissez le système de refroidissement, assurez-vous que la couleur du liquide est verte et que le liquide contient de l'éthylène-glycol. Si la température ambiante est au-dessous de -31 °F (-35°C), assurez-vous que le liquide de refroidissement a un point de congélation inférieur à -31 °F (-35 °C).

ENTRETIEN

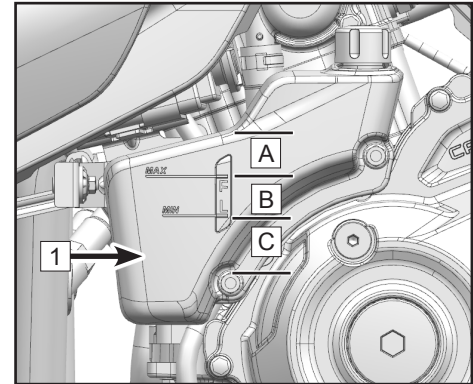
Vérification du niveau de liquide de refroidissement

Garez la moto sur sa béquille latérale sur une surface plane.
Vérifiez le niveau de liquide de refroidissement dans le réservoir **1**.

S'il est dans la zone 'A', vidangez l'excédent de liquide jusqu'à ce que le niveau arrive dans la zone 'B'.

S'il est dans la zone 'B', le niveau du liquide de refroidissement est correct.

S'il est dans la zone 'C', ou s'il est invisible, ajoutez du liquide de refroidissement identique à celui dans le réservoir jusqu'à ce que le niveau remonte dans la zone 'B'.



AVERTISSEMENT

Lorsque le véhicule est utilisé, le liquide de refroidissement atteint une température très élevée et reste dans un état de compression.

N'ouvrez pas le radiateur et évitez de toucher les durites du radiateur, le réservoir du liquide ou d'autres pièces liées au système de refroidissement, tant que le moteur ou le système de refroidissement n'est pas refroidi.

En cas d'ébouillantage, lavez immédiatement la zone touchée avec l'eau courante pendant plus de 10 minutes jusqu'à ne plus ressentir de la douleur, puis consultez un médecin.

ENTRETIEN

Remplissage du liquide de refroidissement

Ouvrez le bouchon du réservoir de liquide et ajoutez du liquide de refroidissement jusqu'à ce qu'il arrive dans la zone 'B'.

ATTENTION

Si vous devez souvent ajouter du liquide de refroidissement, ou si le réservoir de liquide est complètement sec, il y a probablement une fuite dans le système. Faites inspecter le système de refroidissement par un concessionnaire agréé de CFMOTO.

Nous recommandons d'utiliser uniquement le liquide de refroidissement original de CFMOTO. Contactez votre concessionnaire pour changer le liquide de refroidissement. Mélanger des liquides de refroidissement différents peut endommager le moteur.

ENTRETIEN

PNEUS ET CHÂÎNE

Ce véhicule utilise seulement les pneus sans chambre, des jantes tubeless et des valves de gonflage pour pneus sans chambre. Utilisez uniquement les pneus, jantes et valves de gonflage standards recommandés. N'installez pas de pneus à chambre à air sur des jantes tubeless. Si les pneus ne sont pas installés correctement, de l'air peut s'en échapper. N'installez pas une chambre à air à l'intérieur d'un pneu sans chambre.

Spécifications des pneus

Spécification des pneus	Roue avant	110/70 R17 M/C
	Roue arrière	150/60 R17 M/C
Pression des pneus	Roue avant	32,6 psi (225 kPa)
	Roue arrière	35,5 psi (245 kPa)
Profondeur minimale de la sculpture	Roue avant	0,03 à 0,04 po (0,8 à 1 mm)
	Roue arrière	0,03 à 0,04 po (0,8 à 1 mm)

Une pression incorrecte ou un dépassement de la limite de charge des pneus peut affecter la maniabilité et la performance du véhicule, et provoquer une perte de contrôle.

Effectuez des inspections périodiques de la pression des pneus en utilisant un manomètre pour pneu. Ajustez la pression des pneus en conséquence.

Une pression des pneus excessivement basse peut provoquer une usure inadéquate ou une surchauffe.

Une pression des pneus appropriée offre un meilleur confort de conduite et une plus longue durée de vie des pneus.

ENTRETIEN

REMARQUE :

Vérifiez la pression des pneus lorsque les pneus sont froids.

La pression des pneus est influencée par les variations de température et l'altitude. Si durant votre excursion, vous observez un important changement de la température et de l'altitude, vous devez vérifier et ajuster la pression des pneus en conséquence.

La plupart des pays ont leur propre réglementation sur la profondeur minimale de la sculpture. Veuillez respecter la réglementation locale. Lorsque vous installez des nouvelles jantes ou des nouveaux pneus, vérifiez toujours l'équilibrage des roues.

ATTENTION

Afin de maintenir une maniabilité sécuritaire et une bonne stabilité, utilisez seulement les pneus et la pression de pneu recommandés. Un pneu ayant subi une crevaison doit être réparé aussitôt que possible. Si un pneu a subi une crevaison et qu'il est réparé ou utilisé dans les prochaines 24 heures après la réparation, ne conduisez pas la moto à plus de 100 km/h (60 mi/h) et la vitesse de la moto ne doit, à aucun autre moment, dépasser 130 km/h (80 mi/h).

Les pneus avant et arrière doivent provenir du même fabricant et avoir la même sculpture de la bande de roulement.

Les pneus neufs peuvent être glissants et entraîner une perte de contrôle et des blessures. Conduisez la moto à des vitesses modérées en utilisant différents angles d'inclinaison afin que toute la surface des pneus subisse un frottement uniforme sur le sol. Une surface de frottement normale sera formée après une période de rodage de 160 km (100 miles). Évitez le freinage brusque, les accélérations soudaines et les virages serrés à grande vitesse durant la période de rodage.

ENTRETIEN

Indice de charge des pneus

L'indice de charge maximal recommandé pour les pneus est de 330,7 lb. (150 kg), et comprend le poids combiné du pilote, du porte-bagages avec un chargement et des accessoires.

Frottement des pneus

Lorsque l'usure de la bande de roulement du pneu dépasse la limite d'utilisation, le pneu devient plus exposé aux crevaisons et à la défaillance. Une estimation couramment admise est que 90 % de toutes les défaillances de pneu se produisent lors des derniers 10 % de la vie utile de la bande de roulement : il est donc dangereux de continuer à utiliser des pneus jusqu'à ce qu'ils deviennent lisses. Conformément au Calendrier d'entretien périodique, mesurez la sculpture de la bande de roulement avec une jauge de profondeur, et remplacez tout pneu dont la sculpture est usée jusqu'à la profondeur minimale permise.

Vérifiez visuellement la bande de roulement des pneus pour vous assurer qu'ils ne présentent ni fissures ni coupures, et remplacez tout pneu sérieusement endommagé. Par exemple, si le pneu montre une expansion partielle, cela signifie qu'il est fortement endommagé.

Retirez toutes les pierres et tous les corps étrangers pris dans la sculpture de la bande de roulement.

ENTRETIEN

ATTENTION

Lorsque la température ambiante chute au-dessous de 14°F (-10°C), il est recommandé de placer le véhicule à l'intérieur si vous devez le remiser pendant longtemps.

N'utilisez pas la béquille latérale pour garer le véhicule pendant longtemps en hiver. Employez plutôt la béquille centrale (si la moto en est équipée) ou un support spécial de motocyclette, car les pneus ne doivent pas servir à soutenir le poids du véhicule.

Ne laissez pas les pneus enfoncés dans la neige ou la glace lorsque vous garez le véhicule en hiver.

Lorsque vous garez le véhicule pendant longtemps à l'extérieur en hiver, il est recommandé de placer sous les pneus des objets qui peuvent conserver la chaleur (tels que des branches, du papier ou du sable).

ENTRETIEN

Vérification de la chaîne de transmission

Vous devez examiner quotidiennement, avant de conduire, le jeu et la lubrification de la chaîne de transmission, et les consignes de sécurité doivent être respectées conformément au Calendrier d'entretien périodique afin d'empêcher une usure excessive. Si elle est trop usée ou si elle est mal ajustée, la chaîne pourrait devenir trop tendue ou trop serrée.

Si la chaîne est trop tendue, cela accélérera l'usure de la chaîne, du pignon avant, du pignon arrière et de la jante arrière. Certaines pièces pourraient même se fissurer ou se briser lorsque la moto est soumise à une surcharge.

Si la chaîne est trop lâche, elle pourrait quitter le pignon avant ou le pignon arrière, ce qui risque de provoquer un blocage de la roue arrière ou d'endommager le moteur.

La durée de vie utile de la chaîne de transmission dépend en grande partie de son entretien.

Vérification de la saleté de la chaîne

Vérifiez la chaîne périodiquement et assurez-vous qu'elle ne contient pas de saletés, surtout après une utilisation de la moto dans des conditions de conduite difficiles.

Si la chaîne est sale, rincez les grandes particules de saleté en utilisant un faible jet d'eau. Nettoyez les résidus de saleté et de lubrifiant au moyen d'un nettoyant pour chaînes adéquat.

Une fois que la chaîne est sèche, vaporisez-la avec un lubrifiant pour chaîne approprié.

AVERTISSEMENT

Lorsque vous vaporisez du lubrifiant pour chaîne, évitez toute éclaboussure sur d'autres pièces de la moto. Du lubrifiant sur les pneus réduira leur adhérence, et du lubrifiant sur les disques de frein diminuera leur pouvoir de freinage. En cas de vaporisation excessive, nettoyez ces composants à l'aide d'un nettoyant adéquat.

ENTRETIEN

Vérification de la tension de la chaîne

Placez le levier des vitesses sur la position Neutre.

Garez la moto sur sa béquille latérale sur un sol ferme et plat.

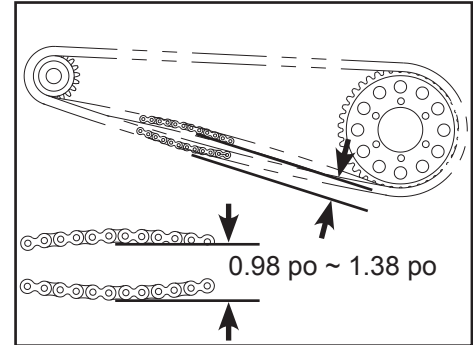
Tirez sur la chaîne pour en vérifier la tension.

Si la tension de la chaîne est hors spécifications, ajustez-la pour la faire revenir à la valeur standard.

Valeur standard : 0.98 à 1.38 po (25 à 35 mm)

REMARQUE :

L'usure de la chaîne n'est pas toujours uniforme, et sa tension doit être mesurée fréquemment en faisant tourner la roue arrière plusieurs fois dans différentes positions.



ENTRETIEN

Ajustement de la tension de la chaîne

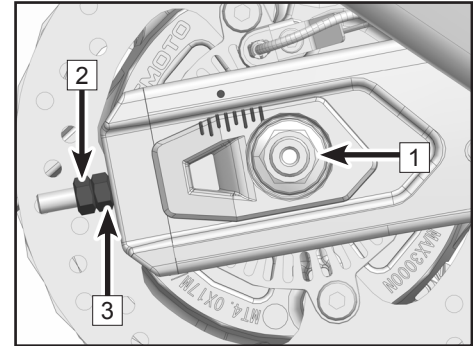
Desserrez l'écrou de l'essieu de la roue arrière **1**.

Desserrez les écrous de blocage gauche et droit **2**.

Vissez de façon égale les boulons de réglage gauche et droit **3** afin d'ajuster la tension de la chaîne en vous assurant que les repères d'alignement sur la gauche et la droite du tendeur de chaîne correspondent bien à la position des marques de référence.

Serrez les écrous de blocage gauche et droit.

Serrez l'écrou de l'essieu de la roue arrière.



ENTRETIEN

Vérification de l'usure

Placez le levier des vitesses sur la position Neutre.

Garez la moto sur sa béquille latérale sur un sol ferme et plat.

Appliquez une tension sur la chaîne ou bien accrochez un poids de 22 lb (10 kg) sur la chaîne.

Mesurez la longueur entre 20 maillons pour vérifier l'élongation.

Si la longueur mesurée dépasse la limite standard, remplacez la chaîne par une chaîne neuve.

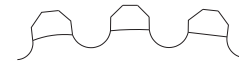
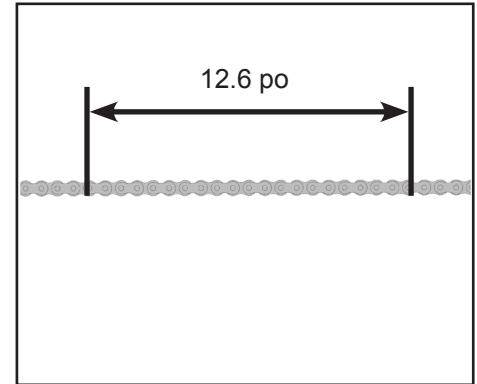
Limite standard : 12,6 po (320,7 mm)

DANGER

Pour votre sécurité, veuillez utiliser la chaîne standard. Si la chaîne est trop allongée, ne coupez jamais la chaîne pour la remonter sur le véhicule. Faites-la remplacer par un concessionnaire CFMOTO agréé.

Vérifiez les dents du pignon arrière et du pignon moteur pour vérifier le type d'usure éventuelle.

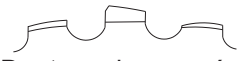
Si les dents du pignon arrière ou du pignon moteur sont usées, il faut alors remplacer les deux pignons ensemble.



Dents standard



Dents normalement usées



Dents endommagées

ENTRETIEN

SYTÈME DE FREINAGE

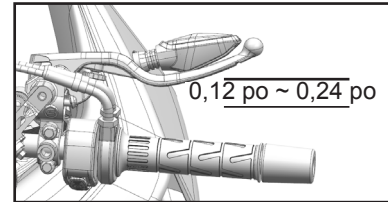
Afin de garantir une excellente performance de votre véhicule et votre sécurité personnelle, il est nécessaire de réparer et d'entretenir le véhicule conformément au Calendrier d'entretien périodique. Assurez-vous que toutes les pièces du système de freinage sont en bon état. En cas de dommage ou de défaillance du système de freinage, faites vérifier votre véhicule par un concessionnaire agréé.

Vérification du levier de frein avant

Garez la moto sur sa béquille latérale sur un sol ferme et plat.
En pressant légèrement le levier du frein avant, vérifiez son jeu.

Jeu admissible : 0,12 à 0,24 po (3 à 6 mm)

Vérifiez si le levier du frein avant présente des fissures ou fait un bruit anormal. En cas de problèmes, remplacez-le par un nouveau levier.



ENTRETIEN

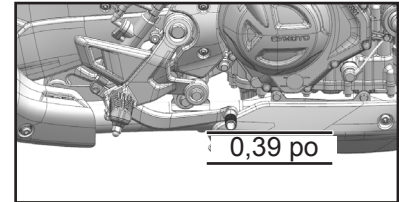
Vérification de la pédale de frein arrière

Garez la moto sur sa béquille latérale sur un sol ferme et plat.

Appuyez légèrement sur la pédale du frein arrière et vérifiez sa course.

Jeu admissible : 0,39 po (10 mm)

Vérifiez si la pédale du frein arrière présente des fissures ou fait un bruit anormal. En cas de problèmes, remplacez-la par une nouvelle pédale.



AVERTISSEMENT

Si vous sentez que les freins sont mous lorsque vous serrez le levier du frein ou lorsque vous appuyez sur la pédale du frein, il pourrait y avoir de l'air dans un tuyau de liquide de frein ou un manque de liquide. Si votre moto présente cette condition dangereuse, cessez de conduire et faites vérifier immédiatement le circuit de freinage par un concessionnaire CFMOTO agréé.

ENTRETIEN

Vérification du niveau de liquide des freins

Garez la moto sur sa béquille latérale sur un sol ferme et plat. Vérifiez que les niveaux du liquide de frein dans les réservoirs des freins avant et arrière sont à niveau.

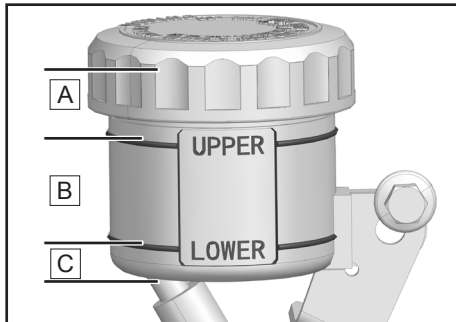
Si le niveau de liquide de frein est dans la zone 'A' : vidangez du liquide jusqu'à ce qu'il arrive dans la zone 'B'.

Si le niveau du liquide de frein est dans la zone 'B' : la quantité de liquide de frein est adéquate.

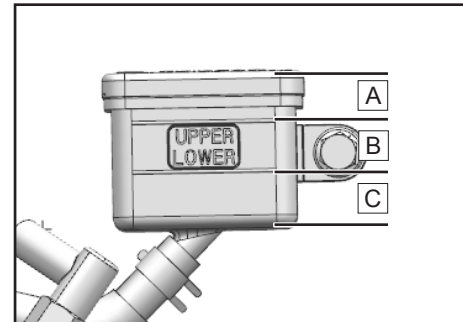
Si le niveau de liquide de frein est la zone 'C', ou s'il est carrément invisible : remplissez avec le même liquide de frein jusqu'à ce qu'il arrive dans la zone 'B'.

AVERTISSEMENT

Si le niveau du liquide de frein arrive souvent dans la zone 'C', le circuit de freinage a une fuite, n'est pas hermétique, ou est endommagé. Faites vérifier immédiatement le circuit de freinage par un concessionnaire agréé de CFMOTO.



Réservoir de liquide du frein avant



Réservoir de liquide du frein arrière

ENTRETIEN

Remplissage de liquide de frein

AVERTISSEMENT

Le liquide de frein provoque une irritation cutanée.

Gardez le liquide de frein hors de portée des enfants.

Évitez tout contact du liquide de frein avec la peau, les yeux ou les vêtements. Portez des vêtements et des lunettes de protection lorsque nécessaire.

Consultez un médecin dans les plus brefs délais si du liquide de frein a été accidentellement avalé.

En cas de contact avec la peau, rincez abondamment la zone touchée avec de l'eau.

En cas de contact avec les yeux, rincez les yeux abondamment avec de l'eau et consultez immédiatement un médecin.

Si du liquide de frein se renverse sur vos vêtements, changez-les et lavez immédiatement les vêtements touchés.

ENTRETIEN

AVERTISSEMENT

Un liquide de frein utilisé pendant longtemps sans être changé réduira l'efficacité du freinage. Changez le liquide de frein selon le Calendrier d'entretien périodique. Utilisez uniquement le même type de liquide de frein DOT 4 que celui marqué sur le réservoir. Le mélange de différents types de liquide de frein peut entraîner des dommages ou une défaillance du système de freinage; c'est pourquoi il est recommandé de toujours utiliser le liquide de frein original. Si vous n'êtes pas sûr de trouver la marque originale, contactez votre concessionnaire CFMOTO agréé pour l'entretien du liquide de frein.

REMARQUE

Un niveau du liquide de frein trop bas provoque une pression négative à l'intérieur du réservoir de liquide, ce qui peut entraîner un affaissement du joint d'étanchéité du réservoir. Retirez le bouchon du réservoir pour relâcher la pression. Ajustez le joint d'étanchéité du réservoir, puis réinstallez le joint et le bouchon.

ENTRETIEN

Réservoir de liquide du frein avant

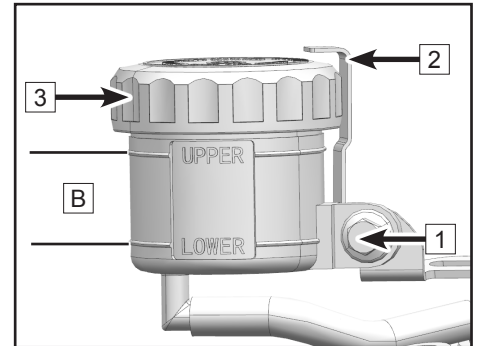
Enlevez la vis [1]. Retirez l'étrier de support [2].

Retirez le couvercle et le joint d'étanchéité du réservoir [3].

Remplissez le réservoir de liquide de frein jusqu'à la zone 'B'.

Réinstallez le couvercle et le joint d'étanchéité du réservoir.

Réinstallez l'étrier de support [2] et la vis [1].



Réservoir de liquide du frein arrière

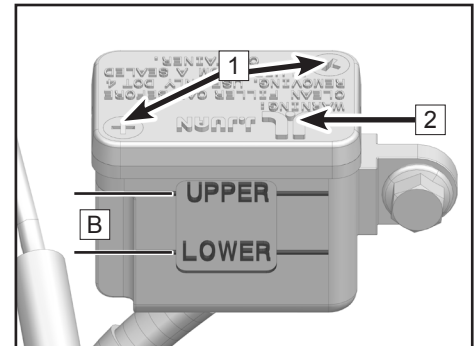
Enlevez les vis [1].

Retirez le couvercle et le joint d'étanchéité du réservoir [2].

Remplissez le réservoir de liquide de frein jusqu'à la zone 'B'.

Réinstallez le couvercle et le joint d'étanchéité du réservoir.

Réinstallez les vis [1].



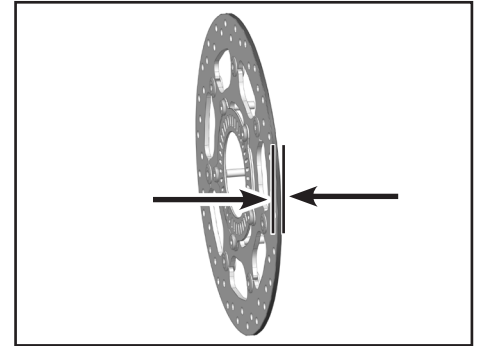
ENTRETIEN

Vérification des disques de frein

Vérifiez périodiquement les disques de frein pour voir s'ils sont endommagés, s'ils ont perdu leur forme, ou s'ils présentent des fissures ou de l'usure. Des disques de frein endommagés peuvent provoquer une défaillance du freinage. Des disques usés réduisent la distance de freinage. Si les disques de frein sont endommagés ou dépassent leur limite d'usure, contactez un concessionnaire agréé pour les remplacer immédiatement par de nouveaux disques.

Vérifiez l'épaisseur des disques de freins avant et arrière dans différentes positions.

Limite d'usure des disques de frein avant et arrière :
0,16 po (4 mm)



ENTRETIEN

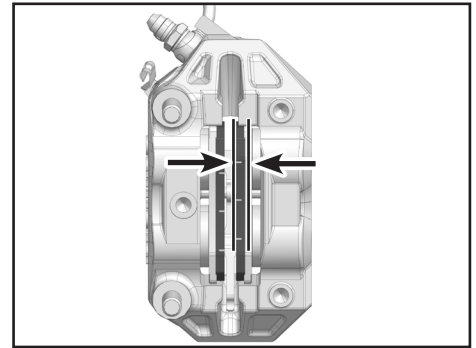
Vérification des étriers de frein

Inspectez les étriers de frein avant de conduire. Vérifiez périodiquement les plaquettes de frein pour déterminer leur épaisseur minimum. Si elles sont trop minces, les plaquettes provoqueront un frottement de la plaque d'acier sur les disques de frein, ce qui réduira considérablement le pouvoir de freinage et endommagera le système de freinage.

Vérifiez l'épaisseur minimum des plaquettes sur tous les étriers de frein.

Épaisseur minimum des plaquettes de frein : **0,05 po (1,3 mm)**

Si l'épaisseur des plaquettes de frein est inférieure à la limite minimum, ou si la plaque des plaquettes de frein est endommagée, contactez immédiatement un concessionnaire agréé pour faire réparer le système de freinage.



ENTRETIEN

Système de freinage antiblocage (ABS)

L'ABS est un système de sécurité qui empêche le blocage des roues durant la conduite en ligne droite sans l'influence des forces latérales.

Avec l'aide du système ABS, lorsque vous roulez sur un terrain rugueux, détrempé, glissant ou soumis à toute autre condition de mauvaise adhérence des pneus au sol, le pilote peut freiner la moto avec une force de freinage maximum sans provoquer un blocage des roues.

DANGER

Le système d'aide à la conduite peut empêcher un renversement de la moto uniquement dans les limites physiques du véhicule. Dans des conditions de conduite extrêmes, par exemple : porte-bagages supportant une charge dont le centre de gravité est élevé, état des routes variable, pentes raides et freinage à grande vitesse sans libérer le frein, un renversement de la moto peut se produire.

L'ABS fonctionne avec deux circuits de freinage indépendants (freins avant et arrière). Lorsque le bloc de commande électronique du freinage détecte une tendance au blocage des roues, l'ABS commence par réguler la pression de freinage. Durant cette régulation, vous pouvez ressentir de légers à-coups dans le levier du frein à main ou la pédale de frein.

Lorsque vous tournez la clé de contact sur ON, l'indicateur ABS doit s'allumer puis s'éteindre après le démarrage. Si l'indicateur ABS ne s'éteint pas après le démarrage, ou s'il s'allume durant la conduite, cela signifie que le système ABS est défaillant. Dans ce cas, l'ABS ne fonctionnera pas et les roues pourraient se bloquer lors d'un freinage à bloc. Le circuit de freinage reste quand même opérationnel, mais l'ABS ne pourra pas corriger un éventuel blocage des roues.

ENTRETIEN

AMORTISSEURS

Vérification des amortisseurs

En tenant le guidon et le levier du frein avant, appliquez plusieurs fois de suite un mouvement de compression sur la fourche pour vous assurer que les amortisseurs fonctionnent correctement.

Inspectez visuellement les amortisseurs avant pour déceler toute possibilité de fuite d'huile, d'éraflures ou de bruit de frottement.

Après la conduite, examinez les amortisseurs avant pour déceler une éventuelle accumulation de boue, de saletés ou de débris. Nettoyez ces surfaces régulièrement. Ne pas les maintenir convenablement peut entraîner des dommages du joint d'huile et une fuite d'huile des amortisseurs.

Appuyez-vous plusieurs fois de suite sur le siège pour vérifier si l'amortisseur arrière fonctionne convenablement.

Vérifiez visuellement l'amortisseur arrière pour déceler une éventuelle fuite d'huile.

Si vous avez des doutes quant à la performance de l'amortisseur avant ou arrière, contactez un concessionnaire CFMOTO agréé pour une inspection.

ENTRETIEN

Ajustement de l'amortisseur arrière

L'amortisseur arrière a été ajusté à la position optimale avant sa sortie de l'usine, et il convient à la plupart des conditions de conduite.

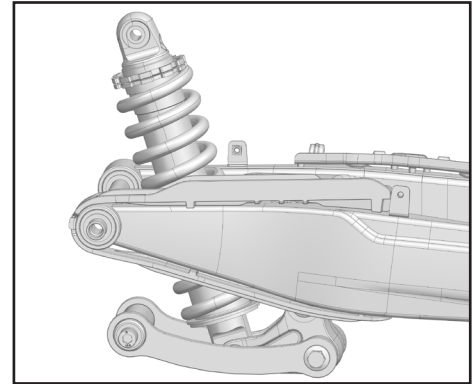
Contactez votre concessionnaire pour ajuster la précharge du ressort de l'amortisseur arrière. Ne le faites jamais vous-même.

DANGER

Ce composant contient de l'azote sous haute pression. Une mauvaise utilisation ou manipulation peut provoquer une explosion.

Veuillez lire les instructions appropriées.

Évitez d'exposer l'amortisseur au feu, de le percer ou de l'ouvrir.



ENTRETIEN

CIRCUIT ÉLECTRIQUE ET FEUX DE SIGNALISATION

Batterie

Ce véhicule est équipé d'une batterie d'accumulateurs au plomb-acide pour le démarrage. Si le véhicule n'est pas utilisé pendant longtemps (≥ 2 mois), la batterie doit être retirée et remise. Cependant, pour assurer une durée de vie optimale de la batterie, vous devez la recharger correctement afin qu'elle fournisse assez de puissance au moteur du démarreur. Si la moto est utilisée fréquemment, le système de charge de la moto recharge automatiquement la batterie. Si la moto n'est utilisée que de temps en temps, ou seulement pour de courtes sorties, la batterie peut ne pas être suffisamment chargée et donc, manquer de puissance.

ATTENTION

Pour éviter des dommages et une perte de puissance de la batterie, ne laissez pas le moteur tourner au ralenti pendant plus de 30 minutes. Autrement, la moto pourrait ne pas démarrer.

Les batteries peuvent aussi se décharger progressivement en fonction de la vitesse du véhicule, du type de batterie et de la température ambiante. Par exemple, lorsque la température ambiante s'élève, le taux de décharge pourrait croître de 1 % pour chaque plage d'augmentation de 15 °C.

Sulfatation de la batterie

Une défaillance courante de la batterie est la sulfatation. Si la batterie est sous-chargée pendant longtemps, l'électrolyte peut se sulfater. La sulfatation est une accumulation anormale de cristaux de sulfate qui résulte d'une réaction chimique dans la batterie. Si une sulfatation survient, la décharge de la batterie peut occasionner des dommages permanents aux plaques de la batterie, rendant impossible la recharge de la batterie. Si une telle défaillance se produit, la seule manière de la corriger est de remplacer l'ancienne batterie par une neuve.

ENTRETIEN

Entretien de la batterie

Nettoyer le boîtier de la batterie avec une brosse douce trempée dans un mélange de bicarbonate de soude et d'eau. Utilisez une brosse métallique pour éliminer la corrosion des cosses plates positive et négative ainsi que des anodes positives et négatives de la batterie.

Maintenez la batterie toujours totalement chargée, sinon elle peut s'endommager.

Si vous ne conduisez pas souvent le véhicule, vérifiez la tension de la batterie chaque semaine à l'aide d'un voltmètre. Si la tension est inférieure à 12,8 volts, la batterie doit être rechargée (contactez votre concessionnaire pour une inspection). Si vous ne prévoyez pas d'utiliser le véhicule pendant au moins 2 semaines, vous devez charger la batterie à l'aide d'un chargeur approprié. Si vous ne prévoyez pas d'utiliser le véhicule pendant au moins un mois, retirez la batterie du véhicule et entreposez-la dans un endroit frais et sec. Avant de réinstaller la batterie, vous devez la recharger complètement. Elle doit être enlevée du véhicule durant la recharge.

Chargeur de batterie

Contactez votre concessionnaire pour obtenir les spécifications d'un chargeur de batterie adéquat.

ENTRETIEN

Recharge de la batterie

N'utilisez pas un chargeur rapide pour automobiles car la batterie risquerait de surchauffer et de s'endommager. Les batteries sans entretien exigent des chargeurs spéciaux (à basse tension/intensité constantes). L'utilisation d'un chargeur de batterie classique réduira la durée de vie de la batterie.

Retirez la batterie du véhicule avant de la recharger.

Connectez les fils du chargeur et assurez-vous que le courant de recharge correspond à 1/10e d'ampère de la capacité de la batterie. Par exemple, le courant de recharge d'une batterie de 10 ampères-heures serait de 1 ampère.

Assurez-vous que la batterie est complètement chargée avant de la réinstaller.

AVERTISSEMENT

Ne retirez pas la bande d'étanchéité de la batterie, car la batterie pourrait se détériorer. N'installez pas une batterie ordinaire sur cette moto, sinon le circuit électrique ne fonctionnera pas correctement.

Lorsque vous retirez la batterie, déconnectez d'abord la borne négative, puis la borne positive. Pour la réinstallation, faites l'inverse (borne positive d'abord, puis borne négative).

REMARQUE :

Lorsque vous chargez une batterie sans entretien, suivez toujours les instructions décrites dans ce manuel.

ENTRETIEN

Démontage de la batterie

Garez le véhicule sur un sol ferme et plat.

Coupez le moteur et l'alimentation électrique du véhicule.

Insérez la clé dans la serrure du siège.

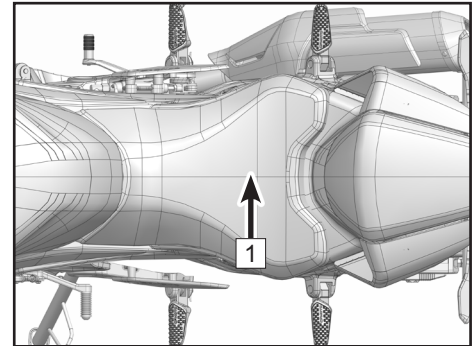
Enlevez le siège **1**.

Retirez le fil négatif noir (-).

Retirez le fil positif rouge (+).

Enlevez la sangle de retenue de la batterie **2**.

Retirez la batterie.



Remontage de la batterie

Garez le véhicule sur un sol ferme et plat.

Assurez-vous que la clé du commutateur d'allumage est sur la position 'OFF'.

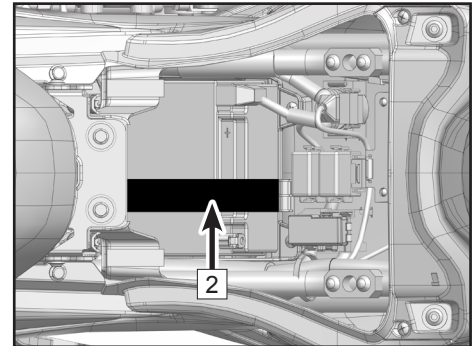
Mettez la batterie en place.

Replacez la sangle de retenue de la batterie.

Connectez le fil positif rouge (+).

Connectez le fil négatif noir (-).

Réinstallez le couvre-poussière et le siège.



ENTRETIEN

AVERTISSEMENT

Évitez tout contact avec la peau, les yeux ou les vêtements, et protégez toujours vos yeux lorsque vous travaillez à proximité des batteries.

Tenez les batteries hors de portée des enfants. Tenez les batteries éloignées des étincelles, des flammes, des cigarettes ou d'autres sources inflammables. Aérez la zone si vous chargez ou utilisez la batterie dans un lieu clos.

Antidote à l'acide de batterie (traitement de désintoxication) :

EXTERNE : Rincez à l'eau les zones touchées.

INTERNE : Consultez un médecin dans les plus brefs délais.

YEUX : Rincez à l'eau pendant 15 minutes et consultez un médecin dans les plus brefs délais.

AVERTISSEMENT

Une séquence incorrecte d'opérations lors de l'installation ou le démontage peut entraîner un court-circuit entre la batterie et le véhicule.

ENTRETIEN

Feux de signalisation du véhicule

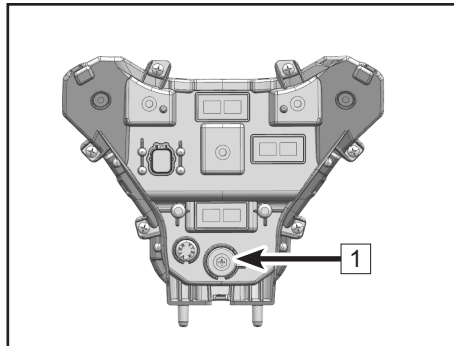
Le feu de route et le phare antibrouillard sont réglables. Tournez la molette de réglage des feux **1** pour les ajuster.

ATTENTION

L'ajustement des feux de route et de croisement doit être conforme à la réglementation locale. La norme d'utilisation du faisceau de phare est fondée sur le principe suivant : la lumière émise est visible sur la route lorsque les roues avant et arrière sont en contact avec le sol, et le conducteur est assis sur le véhicule.

Tous les feux utilisent des lumières à DEL (diodes électroluminescentes). Demandez à votre concessionnaire de remplacer l'ensemble si une DEL est endommagée ou défectueuse.

Réglage du feu de route :



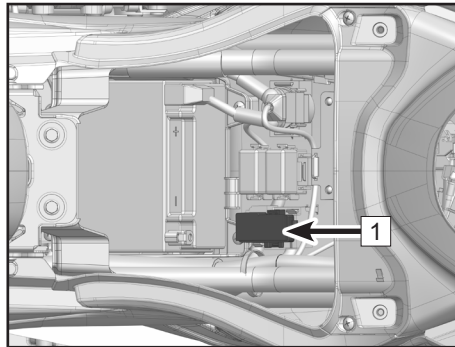
ENTRETIEN

Fusibles

Le boîtier des fusibles **1** est situé sous le siège. On peut le voir lorsque le siège a été retiré. Lorsqu'un fusible est grillé, vérifiez si le circuit électrique est endommagé. Remplacez toujours un fusible défectueux par un fusible de même type et de même calibre.

⚠ AVERTISSEMENT

N'utilisez jamais un matériau conducteur à la place du fusible standard recommandé. Remplacez un fusible grillé par un fusible de même type et de même ampérage. La valeur en ampères est indiquée sur le fusible.



ENTRETIEN

CONVERTISSEUR CATALYTIQUE

Cette moto est équipée d'un convertisseur catalytique dans le système d'échappement. Le platine et le rhodium qui se trouvent à l'intérieur du convertisseur réagissent avec les émissions de monoxyde de carbone et d'hydrocarbures du moteur pour les transformer en dioxyde de carbone et en eau.

Pour un fonctionnement adéquat du convertisseur catalytique, prenez les précautions suivantes :

Utilisez seulement de l'essence sans plomb. N'employez jamais de l'essence au plomb car elle réduit considérablement la durée de vie du convertisseur catalytique.

Ne laissez pas le véhicule déraiper lorsque le commutateur d'allumage ou le commutateur d'arrêt est sur 'OFF'. N'essayez pas de faire démarrer le moteur plusieurs fois de suite lorsque la batterie est sous-chargée. Lorsque le levier des vitesses n'est pas sur Neutre, ne traînez pas le véhicule ou ne laissez pas le piston se déplacer. Dans ces conditions indésirables, un mélange supplémentaire d'air/carburant non brûlé risque de s'écouler dans le système d'échappement, accélérant la réaction avec le convertisseur catalytique, ce qui provoquerait la surchauffe et l'endommagement du convertisseur quand le moteur est chaud, ou une réduction de la performance du convertisseur quand le moteur est froid.

ATTENTION

Utilisez seulement de l'essence sans plomb. Une essence qui contient même un peu de plomb pourrait endommager les métaux précieux à l'intérieur du convertisseur catalytique et entraîner sa défaillance. N'ajoutez jamais d'huile anti-rouille ou d'huile moteur dans le silencieux, car cela pourrait provoquer une défaillance du convertisseur catalytique.

ENTRETIEN

SYSTÈME EVAP

(SYSTÈME DE RECYCLAGE DES VAPEURS DE CARBURANT)

Ce véhicule est équipé d'un système de recyclage des vapeurs de carburant (EVAP). Contactez votre concessionnaire CFMOTO agréé si le EVAP tombe en panne. Ne modifiez pas le système EVAP sinon il ne pourra pas satisfaire aux prescriptions des règlements relatifs aux émissions dans l'environnement. Après un démontage ou une réparation, les raccordements des tubes doivent être bien scellés, et ils ne doivent présenter aucune fuite d'air, ni être bloqués, comprimés, brisés, endommagés, etc.

Les vapeurs de carburant du réservoir d'essence sont aspirées dans un réservoir de carbone à travers un tube d'absorption. Lorsque le moteur est arrêté, les vapeurs de carburant sont absorbées par une cartouche qui contient du charbon actif. Lorsque le moteur tourne, les vapeurs de carburant absorbées dans la cartouche de charbon actif pénètrent dans l'admission d'air et brûlent dans un processus normal de combustion, évitant ainsi d'être émises directement dans l'air et de polluer l'environnement. Dans le même temps, la pression de l'air à l'intérieur du réservoir de carburant est équilibrée par le tube d'absorption. Si la pression interne du réservoir de carburant est inférieure à celle du dehors, elle peut être compensée grâce au tube d'aération du réservoir à charbon actif et au tube d'absorption. Par conséquent, tous les tubes du système EVAP doivent toujours rester en bon état, ne pas être obstrués ni pincés ou comprimés, etc. et la valve anti-renversement doit être installée correctement, sinon cela pourrait endommager la pompe à essence ou d'autres pièces du convertisseur, et aussi déformer ou briser le réservoir d'essence.

NETTOYAGE ET REMISAGE DE LA MOTO

Précautions générales

Vous prolongerez la durée de vie de votre moto en la gardant propre et au mieux de sa performance. Couvrir votre moto d'une housse de qualité et respirante aidera à protéger le véhicule pendant son remisage.

- Nettoyez toujours la moto une fois que le moteur et le système d'échappement sont refroidis.
- Évitez d'utiliser des détergents agressifs sur les joints, les plaquettes de frein et les pneus.
- Laver le véhicule à la main. N'utilisez pas de jet à haute pression.
- Évitez tout produit agressif tel que les produits chimiques, solvants, détergents et produits d'entretien ménager comme l'ammoniaque.
- L'essence, le liquide de frein et le liquide de refroidissement endommageront les surfaces en plastique peintes. Lavez immédiatement les surfaces en plastique éclaboussées par ces produits.
- Évitez les brosses métalliques, la laine d'acier et autres tampons ou brosses abrasifs pour nettoyer le véhicule.
- Faites très attention en lavant le pare-brise, le couvre-phare et d'autres pièces en plastique, car ils peuvent se rayer facilement.
- Évitez les jets d'eau à haute pression, car l'eau pourrait pénétrer dans les joints et les composants électriques, et endommager le véhicule.
- Évitez d'arroser avec de l'eau les endroits comme les admissions d'air, le circuit de carburant, les composants électriques, les sorties du silencieux et le verrou du réservoir d'essence.

NETTOYAGE ET REMISAGE DE LA MOTO

Lavage de la moto

- Rincez la moto à l'eau froide pour enlever toute saleté non adhérente.
- Mélangez un détergent doux pour motos ou automobiles avec de l'eau dans un seau. Utilisez un chiffon doux ou une éponge douce pour laver votre moto. Si nécessaire, utilisez un dégraissant doux pour éliminer les dépôts d'huile ou de graisse. Commencez par le dessus de la moto, puis lavez les parties inférieures en dernier.
- Après le lavage, rincez la moto avec de l'eau propre pour enlever tout résidu (les résidus de détergent peuvent endommager les composants de la moto).
- Séchez la moto à l'aide d'un chiffon doux et vérifiez l'absence d'éraflures.
- Démarrez le moteur et faites-le tourner au ralenti pendant quelques minutes. La chaleur du moteur aidera à sécher les zones humides du véhicule.
- Conduisez prudemment la moto à vitesse réduite et appliquez les freins plusieurs fois. Ceci permettra de sécher les freins et de rétablir la performance normale du véhicule.
- Lubrifiez la chaîne de transmission pour empêcher la rouille.

REMARQUE :

Si vous conduisez la moto sur des routes recouvertes de sel d'épandage ou dans des zones proches de l'océan, nettoyez la moto immédiatement à l'eau froide après la conduite. N'utilisez pas d'eau chaude pour laver votre véhicule car elle accélère la réaction chimique du sel. Après le séchage du véhicule, appliquez un spray d'huile antirouille et anticorrosion sur toutes les surfaces métalliques non peintes. Si vous conduisez par temps pluvieux ou si vous venez juste de laver la moto, de la condensation peut se former sur l'intérieur de la lentille du phare. Dans ce cas, démarrez le moteur et allumez le phare pour éliminer l'humidité.

NETTOYAGE ET REMISAGE DE LA MOTO

Protection de la surface

Après le lavage de votre moto, cirez les surfaces peintes, métalliques et plastique à l'aide d'une cire spéciale pour motos et automobiles. De la cire doit être appliquée tous les trois mois ou chaque fois que les conditions l'exigent afin d'éviter aux surfaces de présenter des marques satinées ou de se ternir. Utilisez toujours des produits non abrasifs et appliquez-les en respectant les instructions.

Pare-brise et autres pièces en plastique

Après le lavage, utilisez un chiffon doux pour sécher délicatement les pièces en plastique. Une fois le véhicule sec, traitez le pare-brise, la lentille du phare et les autres pièces en plastique non peintes à l'aide d'un produit à nettoyer ou à polir, recommandé pour le plastique.

ATTENTION

Les pièces en plastique peuvent se détériorer et se briser si elles entrent en contact avec des substances chimiques ou des produits d'entretien ménager tels que l'essence, le liquide de frein, les nettoie-vitres, l'adhésif pour fixation de filetage, ou autres produits chimiques. Si une pièce en plastique entre en contact avec une substance chimique agressive, lavez-la immédiatement avec de l'eau puis vérifiez si elle est endommagée. Évitez d'employer des tampons abrasifs ou des brosses abrasives pour nettoyer les pièces en plastique, car elles altéreront le lustre de la surface.

Chrome et aluminium

S'ils sont exposés à l'air, l'alliage au chrome et les pièces nues en aluminium peuvent s'oxyder, ternir et perdre leur lustre. Ces pièces doivent être nettoyées avec un détergent et lustrées à l'aide d'un spray de polissage. Les roues en aluminium peintes et non peintes doivent être nettoyées avec un détergent spécial.

NETTOYAGE ET REMISAGE DE LA MOTO

Les éléments en vinyle doivent être nettoyés séparément.

Les pneus et autres composants en caoutchouc doivent être traités à l'aide d'un produit de protection du caoutchouc afin de préserver leur durée de vie.

DANGER

Il faut porter une attention particulière au traitement des pneus et éviter que le produit de protection du caoutchouc qui est appliqué n'affecte pas leurs fonctions. Si les pneus ne sont pas traités convenablement, leur adhérence au sol peut diminuer et provoquer éventuellement une perte de contrôle de la moto.

Préparation pour le remisage

Nettoyez méticuleusement tout le véhicule.

Faites tourner le moteur pendant environ 5 minutes, coupez le moteur, puis changez l'huile moteur et le filtre.

DANGER

L'huile pour moto est une substance toxique. Éliminez l'huile usagée de manière appropriée. Tenez l'huile usagée hors de portée des enfants. Si de l'huile entre en contact avec la peau, lavez immédiatement la zone affectée.

Remplissez le moteur d'huile moteur fraîche.

Faites le plein de carburant et ajoutez un additif adéquat pour carburant.

NETTOYAGE ET REMISAGE DE LA MOTO

DANGER

L'essence est très inflammable et peut être explosive dans certaines conditions. Tourner le commutateur d'allumage sur la position «éteinte» avant de faire le plein. Ne fumez pas. Assurez-vous que la zone est bien aérée et qu'elle ne contient aucune source de flammes ou d'étincelles, y compris tout appareillage avec un brûleur à flamme pilote. L'essence est une substance toxique. Éliminez l'essence de manière appropriée.

Réduisez la pression des pneus de 20 % durant la période de remisage.

Placez des planches de bois sous les roues de la moto pour éviter que l'humidité atteigne le véhicule.

Vaporisez un inhibiteur de corrosion (par ex., de l'huile moteur) sur toutes les surfaces métalliques non peintes pour empêcher la rouille. Évitez de vaporiser sur les pièces en caoutchouc ou sur les freins.

Lubrifiez la chaîne de transmission et tous les câbles.

Retirez la batterie. Entreposez-la dans un endroit frais, sec et ventilé. Assurez-vous que la batterie est complètement chargée selon le Calendrier d'entretien périodique.

Attachez des sacs de plastique par-dessus le pot d'échappement pour empêcher l'humidité d'y pénétrer.

Recouvrez la moto d'une housse pour éviter l'accumulation de poussière et de saleté.

NETTOYAGE ET REMISAGE DE LA MOTO

Préparation après le remisage

Enlevez les sacs de plastique recouvrant le pot d'échappement.

Vérifiez l'état de la batterie : rechargez-la si nécessaire, puis installez-la sur la moto.

Vérifiez tous les points énumérés dans la section **Inspection quotidienne de sécurité**.

Lubrifiez tous les points de pivot selon les besoins.

Faites un essai de conduite à basse vitesse pour vérifier que le véhicule fonctionne normalement.

PROBLÈMES GÉNÉRAUX ET CAUSES POSSIBLES

Problème	Composants	Cause possible	Solution
Moteur défaillant ou ne démarre pas	Circuit de carburant	Manque d'essence dans le réservoir à carburant	Faites le plein
		Pompe bloquée ou endommagée. Carburant de mauvaise qualité	Nettoyez ou remplacez
	Système d'allumage	Défaillance de bougie d'allumage : dépôts excessifs de carbone, trop longue durée d'utilisation	Vérifiez ou remplacez
		Défaillance du capuchon de bougie d'allumage : mauvais contact ou capuchon brûlé	Vérifiez ou remplacez
		Défaillance de bobine d'allumage : mauvais contact ou bobine brûlée	Vérifiez ou remplacez
		Défaillance de l'ECU : mauvais contact ou ECU brûlé	Vérifiez ou remplacez
		Défaillance de la bobine de déclenchement : mauvais contact ou bobine brûlée	Vérifiez ou remplacez
		Défaillance du stator : mauvais contact ou stator brûlé	Vérifiez ou remplacez
		Défaillance de câblage : mauvais contact	Vérifiez ou ajustez

PROBLÈMES GÉNÉRAUX ET CAUSES POSSIBLES

Problème	Composants	Cause possible	Solution
Moteur défaillant ou ne démarre pas (suite)	Compression - cylindre	Défaillance du mécanisme de démarrage : usé ou endommagé	Vérifiez ou remplacez
		Défaillances de soupapes d'admission et d'échappement, des sièges de soupape : trop de colloïdes dans l'essence ou trop longue durée d'utilisation	Vérifiez ou remplacez
		Défaillance de cylindre, de piston, de segment de piston : trop de colloïdes dans l'essence ou usure	Vérifiez ou remplacez
		Fuite dans le collecteur d'admission : trop longue durée d'utilisation	Vérifiez ou remplacez
		Défaillance du réglage de distribution	Vérifiez ou remplacez
Puissance insuffisante	Soupape et piston	Soupapes d'admission et d'échappement, dépôts excessifs de carbone dans les pistons : mauvaise qualité de carburant et mauvaise qualité d'huile moteur	Réparez ou remplacez
	Embrayage	Glissement de l'embrayage : mauvaise qualité d'huile moteur, trop longue durée d'utilisation et surcharge	Ajustez ou remplacez
	Frein	Séparation incomplète du frein : frein trop serré	Ajustez
	Cylindre et segment de piston	Usure du cylindre, des segments de pistons : mauvaise qualité d'huile moteur, trop longue durée d'utilisation	Remplacez l'huile
	Chaîne principale	Chaîne de transmission trop tendue : justement inadéquat	Ajustez

PROBLÈMES GÉNÉRAUX ET CAUSES POSSIBLES

Problème	Composants	Cause possible	Solution
Puissance insuffisante	Moteur	Surchauffe du moteur : mélange trop riche ou trop pauvre, mauvaise qualité d'huile ou du carburant, caisson, etc.	Ajustez ou remplacez
	Bougie d'allumage	Écart de bougie inadéquat	Ajustez ou remplacez
	Conduit d'admission	Fuite d'air dans le conduit d'admission : trop longue durée d'utilisation	Ajustez ou remplacez
	Culasse	Fuite d'air dans la culasse ou les soupapes	Vérifiez ou remplacez
	Circuit électrique	Défaillance du circuit électrique	Vérifiez ou réparez
	Filtre à air	Filtre à air obstrué	Nettoyez ou ajustez
Phares et feux arrière en panne	Câbles	Mauvaises connexions	Ajustez
	Boutons gauche et droit	Mauvais contact ou endommagement des boutons	Ajustez ou remplacez
	Phare	Défaillance ou endommagement des lampes ou des douilles	Ajustez ou remplacez
	Régulateur	Mauvaise connexion ou régulateur brûlé	Vérifiez ou remplacez
	Magnéto	Mauvaise connexion ou bobine brûlée	Vérifiez ou remplacez

PROBLÈMES GÉNÉRAUX ET CAUSES POSSIBLES

Avertisseur sonore en panne	Batterie	Pas d'alimentation électrique	Rechargez ou remplacez la batterie
	Bouton gauche	Défaillance ou endommagement du bouton de l'avertisseur sonore	Ajustez ou remplacez
	Câbles	Mauvaise connexion	Ajustez ou réparez
	Avertisseur sonore	Endommagement de l'avertisseur sonore	Ajustez ou remplacez

Les éléments mentionnés plus haut sont les défaillances courantes d'une moto. Si votre moto tombe en panne (en particulier à cause du système d'injection électronique de carburant ou du système de recyclage des vapeurs de carburant), contactez un concessionnaire CFMOTO agréé pour vérifier et réparer le véhicule en temps opportun.

DANGER

N'essayez pas de réparer des défaillances sans aide professionnelle, car cela pourrait provoquer un accident. Vous devenez responsable des accidents résultant de toute réparation ou de tout entretien non effectué par un concessionnaire CFMOTO agréé.

PROBLÈMES GÉNÉRAUX ET CAUSES POSSIBLES

Signalement de défauts compromettant la sécurité

Si vous soupçonnez que votre véhicule a un défaut qui pourrait causer un accident ou des blessures graves ou mortelles, informez-en immédiatement la National Highway Traffic Safety Administration (NHTSA) de même que CFMOTO-USA. Si la NHTSA reçoit des plaintes similaires, elle peut ouvrir une enquête et, si elle découvre qu'un défaut de sécurité existe dans un groupe de véhicules, elle peut ordonner le lancement d'une campagne de rappel. Veuillez noter que la NHTSA ne peut être impliquée dans des problèmes éventuels entre vous et votre concessionnaire ou CFMOTO-USA. Pour communiquer avec la NHTSA, vous pouvez appeler sans frais la ligne directe en matière de sécurité automobile au 1-888-327-4236 (télécopieur : 1-800-424-9153) ; allez sur <http://www.safercar.gov> ; ou écrivez aux soins de : Administrator, NHTSA J200 New Jersey Avenue SE, West Building, Washington DC, 20590. Vous pouvez également obtenir d'autres renseignements sur la sécurité des véhicules automobiles sur <http://www.safercar.gov>.

GARANTIE LIMITÉE DE CFMOTO POUR LES ÉTATS-UNIS

Information sur la garantie

Changement de propriétaire

Si vous vendez votre véhicule, toute la période restante valide de la garantie peut être transférée au nouveau propriétaire. Veuillez enregistrer les détails de l'échange dans le formulaire ci-dessous et informer un concessionnaire CFMOTO agréé :

Changement de propriétaire	Acheteur original	2ème propriétaire	3ème propriétaire	4ème propriétaire
Nom du propriétaire				
Adresse				
Ville				
Province/code postal				
Téléphone				
Courriel				
Date d'achat				
Relevé du compteur				
Signature du nouveau propriétaire				

REMARQUE :

Si le formulaire de Changement de propriétaire rempli ne comprend pas les détails requis ou est inexact, CFMOTO se réserve le droit d'enquêter sur le propriétaire réel du produit et l'historique de l'entretien et des réparations, et de refuser possiblement la demande de transfert de garantie si les conditions n'ont pas été respectées.

GARANTIE LIMITÉE DE CFMOTO POUR LES ÉTATS-UNIS

GARANTIE LIMITÉE DE CFMOTO

Cher client :

Merci d'acheter un produit CFMOTO. Si un composant de votre véhicule s'avère défectueux en raison d'un vice de matériaux ou de fabrication alors qu'il est couvert par les modalités et conditions de cette garantie limitée pour motos de CFMOTO, le composant défectueux sera réparé ou remplacé (au choix de CFMOTO) sans frais pour les pièces et/ou la main-d'œuvre chez tout concessionnaire agréé dans le pays d'achat du véhicule. Cette garantie couvre les pièces et les frais de main-d'œuvre pour la réparation ou le remplacement des pièces défectueuses, et débute à la date d'achat par le propriétaire original. La présente garantie est transmissible à un autre propriétaire au cours de la période de garantie par un concessionnaire CFMOTO agréé, mais un tel transfert ne prolongera pas la durée originale de la garantie. La garantie limitée de CFMOTO est soumise aux conditions générales suivantes :

MODALITÉS ET CONDITIONS DE LA GARANTIE

Cette garantie limitée de CFMOTO est assujettie aux conditions générales suivantes :

- 1. DURÉE DE LA GARANTIE :** La durée de la période de garantie est de deux (2) ans à partir de la date d'achat du nouveau véhicule auprès d'un concessionnaire autorisé de CFMOTO.
- 2. LIMITATIONS DE LA GARANTIE :** Cette garantie limitée de CFMOTO exclut toute panne qui n'est pas causée par un vice de matériau ou de fabrication. Cette garantie ne couvre pas les défaillances dues aux dommages accidentels, à l'usure normale, un emploi abusif ou à une utilisation inadéquate. Cette garantie exclut également les pièces et composants soumis à une usure générale, les pièces exposées à des surfaces de frottement et les pièces exposées aux conditions climatiques ou aux contaminants environnementaux pour lesquels ils n'ont pas été conçus. Cette garantie ne fournit aucune assurance pour le transport de la moto vers et depuis le concessionnaire, ou pour toute perte de temps personnel.

GARANTIE LIMITÉE DE CFMOTO POUR LES ÉTATS-UNIS

3. EXCLUSIONS DE LA GARANTIE : Tout dommage attribuable aux actes ou circonstances ci-après n'est pas couvert par la garantie limitée de CFMOTO :

- Incendie
- Collision
- Vol
- Catastrophes naturelles inévitables
- Remisage ou transport inadéquats
- Non-respect ou négligence du calendrier d'entretien périodique du véhicule
- Utilisation ou conduite inadéquate ou négligente du véhicule
- Réparation ou réglages non autorisés
- Modifications ou améliorations de la performance non autorisées
- Utilisation du véhicule comme véhicule de location ou toute utilisation générant des revenus
- Utilisation du véhicule dans des courses ou des compétitions
- Utilisation de composants du marché secondaire ou non standards
- Ingestion des substances étrangères
- Accessoires ou pièces détachées
- Carburant, liquides ou lubrifiants non recommandés

GARANTIE LIMITÉE DE CFMOTO POUR LES ÉTATS-UNIS

4. RESPONSABILITÉS DU PROPRIÉTAIRE : À titre de propriétaire, vous êtes tenu d'utiliser le véhicule de façon appropriée et d'en effectuer l'entretien tel qu'il est indiqué dans le Manuel du propriétaire. Toutes les réparations sous garantie doivent être exécutées exclusivement par des concessionnaires autorisés de CFMOTO. Tout travail sous garantie effectué par d'autres personnes qu'un concessionnaire autorisé de CFMOTO ne sera couvert par la garantie limitée de CFMOTO.

5. TRANSFERT OU MAINTIEN DE LA GARANTIE : Cette garantie est transférable à condition de fournir les informations suivantes à un concessionnaire autorisé de CFMOTO :

- a. Le modèle et le numéro de série complets tels qu'ils sont inscrits sur le document original de garantie.
- b. Le nom et l'adresse du propriétaire actuel et du ou des nouveaux propriétaires.
- c. La date de livraison originale du véhicule.
- d. Le nouveau (la nouvelle) propriétaire doit indiquer par écrit qu'il (elle) a reçu et lu le Manuel du propriétaire et la garantie de CFMOTO.
- e. CFMOTO peut demander au concessionnaire de fournir une évaluation de l'état du véhicule avant l'approbation.

6. ASSISTANCE AU CLIENT : Toute question ou préoccupation à propos de votre véhicule CFMOTO ou de produits CFMOTO connexes doit être adressée à un concessionnaire autorisé de CFMOTO. Toutefois, si un concessionnaire est dans l'impossibilité de répondre aux préoccupations du client ou à un problème de produit, le client peut communiquer directement avec le service à la clientèle de CFMOTO par téléphone en faisant le (763) 398-2690 ou 888-8CFMOTO, et par courriel à l'adresse : info@cfmotousa.com. Veuillez noter que le service à la clientèle ne peut ni approuver, ni modifier ou refuser la garantie, et ne peut fournir aucun renseignement technique sur une réparation, ni aucun diagnostic, des instructions ou d'autres informations au-delà de ce qui est fourni dans le Manuel du propriétaire.

GARANTIE LIMITÉE DE CFMOTO POUR LES ÉTATS-UNIS

7. SYSTÈME DE LUTTE CONTRE LE BRUIT ET ALTÉRATION DU SYSTÈME : La loi fédérale américaine interdit les actes suivants et interdit aussi de s'y livrer :

- a) L'enlèvement ou la neutralisation par quiconque, autrement que pour des raisons d'entretien, de réparation ou de remplacement, de tout dispositif ou élément de conception intégré à tout véhicule neuf dans le but de lutter contre le bruit, avant sa vente ou livraison à l'acheteur final ou pendant que le véhicule est en usage;
- b) L'utilisation du véhicule après qu'un tel dispositif ou élément ait été retiré ou neutralisé par qui que ce soit.
- c) L'utilisation des composants du marché secondaire ou de composants qui ne sont pas des remplacements directs des pièces installées au moment de la fabrication du véhicule.
- d) De tels composants incluent, mais sans en exclure d'autres, les silencieux, pots d'échappement, boîtiers ou carters du filtre à air, éléments de filtre à air, ou conduit d'entrée d'air.

8. GARANTIE DU DISPOSITIF ANTIPOLLUTION : CFMOTO garantit également à l'acheteur final et à chaque acheteur suivant de chaque moto CFMOTO couverte par cette garantie limitée que, au moment de la vente initiale, ce véhicule est conçu, construit et équipé d'une manière conforme à toutes les normes fédérales américaines sur les émissions polluantes en vigueur au moment de la fabrication. CFMOTO garantit également que le véhicule est exempt de vice de matériaux et de fabrication qui pourraient entraîner la non-conformité à ces règlements. Dans l'éventualité d'un problème couvert par la garantie, CFMOTO réparera gratuitement votre moto, cette réparation incluant le diagnostic, les pièces et la main-d'œuvre, durant la période de garantie décrite dans la clause « *Période de garantie contre les émissions* ».

GARANTIE LIMITÉE DE CFMOTO POUR LES ÉTATS-UNIS

Période de garantie contre les émissions :

CFMOTO garantit que chaque nouvelle moto CFMOTO fabriquée à partir de 2021 comprend, en équipement standard, un phare, un feu arrière et un feu de freinage, qu'elle est conforme au code de la sécurité routière, et qu'elle est exempte de vices de matériaux et de fabrication qui pourraient entraîner la non-conformité aux règlements en vigueur de l'Agence américaine pour la protection de l'environnement (EPA). Cette période de garantie couvre une période d'utilisation de cinq (5) ans ou 30 000 km (18 641 miles), selon la première éventualité, pour les motos cylindrées de 300 cc et plus, et une période d'utilisation de cinq (5) ans ou 12 000 km (7456 miles), selon la première éventualité, pour les motos cylindrées de 125 cc.

Le système anti-pollution inclut ce qui suit :

I. En ce qui concerne les émissions polluantes d'échappement, les composants reliés aux émissions comprennent toutes les pièces du moteur associées aux systèmes suivants :

- Système d'admission d'air
- Système d'alimentation de carburant
- Système d'allumage
- Système de recirculation de gaz d'échappement

II. Les pièces suivantes sont aussi considérées comme des composants reliés aux émissions polluantes d'échappement :

- Appareils de traitement secondaire
- Soupapes de ventilation du carter moteur
- Capteurs
- Blocs de commande électronique

GARANTIE LIMITÉE DE CFMOTO POUR LES ÉTATS-UNIS

III. Les pièces suivantes sont considérées comme des composants reliés aux émissions de vapeurs de carburant (le cas échéant) :

- Réservoir de carburant
- Bouchon du réservoir de carburant
- Conduite de carburant
- Raccords de la conduite de carburant

IV. Les composants reliés au contrôle des émissions polluantes comprennent également toute autre pièce dont le but unique consiste à réduire les émissions ou dont la défaillance augmenterait les émissions sans affecter de façon significative la performance des équipements et du moteur.

9. CLAUSE DE NON-GARANTIE : AUCUNE AUTRE GARANTIE N'EST FOURNIE PAR CFMOTO EN CE QUI CONCERNE LES MOTOCYCLETTES CFMOTO, SAUF SI UNE TELLE GARANTIE EST SPÉCIFIQUEMENT ÉNONCÉE DANS LA PRÉSENTE. TOUTE GARANTIE TACITE, GARANTIE DE QUALITÉ MARCHANDE, GARANTIE D'ADAPTATION À UN USAGE PARTICULIER, ET TOUTES LES GARANTIES IMPLICITES DÉRIVANT D'OPÉRATIONS COMMERCIALES, D'UN USAGE DU COMMERCE, EN VERTU DE LA LOI OU AUTREMENT, SONT STRICTEMENT LIMITÉES AUX MODALITÉS ET CONDITIONS DE LA PRÉSENTE GARANTIE LIMITÉE ÉCRITE POUR LA MOTO.

GARANTIE LIMITÉE DE CFMOTO POUR LES ÉTATS-UNIS

10. INTÉGRALITÉ : Cette garantie limitée remplace toutes les autres garanties orales, expresses ou écrites, de même que les déclarations ou entreprises qui auraient pu avoir été faites précédemment, et contient l'intégralité de l'accord des parties relativement à la garantie des véhicules de CFMOTO. Toutes les garanties non contenues dans cet accord en sont expressément exclues. Cette garantie limitée sera le seul recours exclusif possible pour le client en ce qui concerne le véhicule garanti de CFMOTO. En cas de violation prétendue d'une garantie quelle qu'elle soit, ou d'une poursuite en justice intentée par le client sur la base d'une prétendue négligence ou autre inconduite par CFMOTO, ou ses sociétés affiliées, le seul et exclusif recours du client sera une réparation ou un remplacement des composants défectueux comme énoncé ci-dessus, sauf disposition contraire de la loi. Certains États n'autorisent pas de limitation à la durée d'une garantie tacite, ce qui fait que les limitations ci-dessus peuvent ne pas s'appliquer si elles sont jugées contraires à la législation des États respectifs.

GARANTIE LIMITÉE DE CFMOTO POUR LES ÉTATS-UNIS
DÉCLARATION DE GARANTIE SELON LES NORMES
CALIFORNIENNES RELATIVE AUX COMPOSANTS ANTIPOLLUTION
DROITS ET OBLIGATIONS DU PROPRIÉTAIRE EN VERTU DE LA GARANTIE

En Californie, les nouveaux véhicules motorisés doivent être conçus, construits et équipés de façon à satisfaire aux strictes normes anti-pollution de l'État. CFMOTO Powersports, Inc. garantit les composants du système antipollution sur votre moto pour la durée stipulée ci-dessous, à condition que votre véhicule n'ait pas fait l'objet d'abus, de négligence ou d'entretien inadéquat qui provoqueraient une défaillance du système anti-pollution.

Les composants du système antipollution peuvent inclure des pièces telles que le carburateur ou le système d'injection de carburant, le système d'allumage, le convertisseur catalytique et l'ordinateur du moteur. Sont également inclus les tuyaux, courroies, connecteurs et d'autres composants associés au recyclage des vapeurs de carburant. S'il s'agit d'une condition sous garantie, CFMOTO Powersports, Inc. réparera votre moto gratuitement, y compris le diagnostic, les pièces et la main-d'œuvre.

PÉRIODE DE GARANTIE DU FABRICANT :

La garantie du fabricant couvre une période d'utilisation de 30 000 km ou cinq (5) ans, selon la première éventualité.

Si une pièce liée aux émissions polluantes est défectueuse, la pièce sera réparée ou remplacée par CFMOTO Powersports, Inc. Ceci constitue votre GARANTIE CONTRE LES DÉFAILLANCES du système antipollution.

GARANTIE LIMITÉE DE CFMOTO POUR LES ÉTATS-UNIS RESPONSABILITÉS DU PROPRIÉTAIRE EN VERTU DE LA GARANTIE

- À titre de propriétaire de la moto, vous êtes tenu d'effectuer l'entretien tel qu'il est indiqué dans le Manuel du propriétaire. CFMOTO Powersports, Inc. vous conseille de conserver tous les reçus relatifs aux travaux de maintenance réalisés sur votre (voiture, camion, ou moto), mais CFMOTO Powersports, Inc. ne peut pas refuser les réclamations sous garantie seulement en raison de l'absence de reçus ou de votre non-respect à assurer la mise en œuvre d'un entretien programmé.
- Vous êtes responsable de présenter votre moto à un concessionnaire de CFMOTO Powersports, Inc. dès qu'un problème surgit. Les réparations couvertes par la garantie doivent être réalisées dans un délai raisonnable ne dépassant pas 30 jours.
- En tant que propriétaire de la moto, vous devez également savoir que CFMOTO Powersports, Inc. pourrait vous refuser la garantie si votre moto ou une de ses pièces s'avère défectueuse par suite d'un usage abusif, d'une négligence, d'un mauvais entretien ou de modifications non approuvées.
- Si vous avez des questions à propos de vos droits et responsabilités quant à la garantie, vous devez communiquer avec CFMOTO Powersports, Inc. en faisant le (763) à 398-2690 ou avec le California Air Resources Board à l'adresse : 4001 Iowa Avenue, Riverside, CA 92507.

TABLEAU GÉNÉRAL DES COUPLES DE SERRAGE

Type	Couple (N•m)	Type	Couple (N•m)
Boulon et écrou M5	5±1	Vis M5	4±1
Boulon et écrou M6	10±1	Vis M6	9±1
Boulon et écrou M8	20~30	Boulon et écrou de bride M6	12±1
Boulon et écrou M10	30~40	Boulon et écrou de bride M8	20~30
Boulon et écrou M12	40~50	Boulon et écrou de bride M10	30~40

TABLEAU DES COUPLES DE SERRAGE ESSENTIELS

Type	Filet	Nombre	Couple de serrage (N•m)	Frein-filet
Boulon de fixation avant gauche du moteur	M10 × 1.5 × 70	1	45~50	Oui
Boulon de fixation avant droit du moteur	M10 × 1.5 × 22	1	45~50	Oui
Boulon de fixation centrale, droite du moteur	M10 × 1.5 × 22	1	45~50	Oui
Boulon de fixation centrale, gauche du moteur	M10 × 1.5 × 45	1	45~50	Oui
Boulon de fixation supérieure, arrière du moteur	M10 × 1.25 × 150	1	45~50	Oui
Boulon de fixation inférieure, arrière du moteur	M10 × 1.25 × 170	1	45~50	Oui
Boulon de fixation du faux châssis	M10 × 1.25 × 20	4	40~50	Oui
Boulon de serrage, bride triple supérieure ou inférieure et amortisseurs	M8 × 1.25 × 30	6	20 ~ 25	Oui
Contre-écrou, bride triple supérieure de colonne de direction	M8 × 1.25 × 30	1	20 ~ 25	Oui

Vis de serrage, bride triple supérieure, côté supérieur	M25 × 1.5	1	20 ~ 25 (Avant, bloquer la vis de serrage de la bride triple supérieure des amortisseurs)	Non
Vis de serrage, amortisseur avant, côté inférieur et essieu avant	M8 × 25	2	20 ~ 25	Oui
Boulon de raccordement, amortisseur arrière, côté supérieur et châssis	M10 × 1.25 × 50	1	45~50	Non
Boulon de raccordement, amortisseur arrière, côté inférieur et bras oscillant triangulaire	M10 × 1.25 × 50	1	45~50	Non
Boulon de raccordement, bras oscillant triangulaire, côté supérieur et fourche arrière	M12 × 1.25 × 80	1	60	Non
Boulon de raccordement, bras oscillant triangulaire, côté inférieur et bielle	M12 × 1.25 × 110	1	60	Non
Boulon de raccordement, embiellage et châssis	M10 × 1.25 × 130	1	45~50	Oui
Boulon, essieu avant	M16 × 1.5	1	75 ~ 85	Non
Boulon, couronne dentée, disque de frein et jante	M8 × 28	9	25 ~ 30	Oui
Boulon, conduite de frein et étrier de frein avant	M10 × 1.0	1	38 ~ 42	Non
Boulon, étrier de frein avant et amortisseur avant	M10 × 1.25	2	40 ~ 45	Oui

Boulon, conduite de frein et pompe à main	M10 × 1.0	1	38 ~ 42	Non
Boulon, conduite de frein et ABS	M10 × 1.0	4	38 ~ 42	Non
Boulon, conduite de frein et étrier de frein arrière	M10 × 1.0	1	38 ~ 42	Non
Boulon, conduite de frein et pompe à pied	M10 × 1.0	1	38 ~ 42	Non
Boulon, maître-cylindre du frein arrière et support de repose-pieds avant droit	M6 × 25	2	10	Oui
Boulon, réservoir de liquide du frein arrière et châssis	M6 × 16	1	8	Non
Boulon, ensemble pédale de frein et support de repose-pieds droit	M8 × 25	1	25	Oui
Boulon de serrage, support de fixation, réservoir de liquide de la pompe à main	M8 × 1.25	1	25	Oui
Vis de serrage, support inférieur du guidon	M10 × 60	2	45	Non
Vis de serrage, support supérieur du guidon	M8 × 25	4	20	Non
Vis de fixation, bloc d'équilibrage	M8 × 50	2	20	Non
Écrou de serrage, essieu arrière	M16 × 1.5	1	105 ~ 110	Non
Gros boulon de serrage, pignon	M8 × 30	6	35 ~ 40	Non
Boulon de serrage, bras oscillant du levier des vitesses et arbre du moteur	M6 × 22	1	Jusqu'au serrage complet	Oui
Boulon, palier de joint moteur, pédale de changement de vitesse et bras oscillant	M6 × 16	2	6	Oui

Boulon, pédale de changement de vitesse et support de repose-pieds avant	M8 × 25	1	20	Oui
Boulon de raccordement, pédale de changement de vitesse et repose-pieds	M8	1	25	Oui
Boulon, support de pédale avant et arbre de fourche arrière	M12 × 35	2	110	Non
Boulon, support de repose-pieds avant et châssis	M8 × 30	2	25	Oui
Boulon, support de repose-pieds arrière et châssis	M8 × 20	4	25	Oui
Boulon de fixation, réservoir	M6 × 25	2	9	Non
Boulon, côté inférieur du radiateur et support de raccordement	M6 × 25	1	5	Non
Boulon, côté supérieur du radiateur et support de raccordement	M8 × 30	1	20	Non
Boulon, fixation de l'étrier de frein avant	M10 × 1.25 × 60	2	45 ~ 50	Oui

BOÎTIER TELEMATICS (T-BOX)

T-BOX est un composant facultatif : lorsque vous achetez un véhicule, nous vous conseillons de vérifier auprès de votre concessionnaire s'il est équipé d'un boîtier télématique, ou T-BOX.

Le boîtier T-BOX est une borne de connexion intelligente pour véhicule qui aide à établir un pont de communication entre le propriétaire et son véhicule grâce à l'appli CFMOTO RIDE APP installée sur un appareil mobile. L'appli CFMOTO RIDE APP peut être téléchargée depuis le magasin d'Apple (App Store) pour téléphones iPhone ou Google Play pour téléphones Android.



Scannez le code QR pour télécharger
l'appli CF MOTO RIDE



**MANUFACTURED BY/FABRIQUÉ PAR :
ZHEJIANG CFMOTO POWER CO., LTD.**

Add: NO.116, Wuzhou Road, Yuhang Economic Development
Zone, Hangzhou 311100, Zhejiang Province, China
Tel: 86-571-86258863 Fax: +86-571-89265788
E-mail/courriel : service@cfmoto.com.cn <http://global.cfmoto.com>

**DISTRIBUTED BY/DISTRIBUÉ PAR :
CFMOTO POWERSPORTS INC.**

3555 Holly Lane N. Suite #30, Plymouth MN, 55447, USA
Toll free/Sans frais: (888) 8-CFMOTO (823-6686)
Tel: (1) 763-398-2690 Fax: (1) 763-398-2695
www.cfmotousa.com

**DISTRIBUTED BY/DISTRIBUÉ PAR :
CANADA MOTOR IMPORT INC.**

24, rue Industrielle, Saint-Benoit Labre,
Québec, Canada, G0M 1P0
Tel: 418-227-2077
www.cfmoto.ca