



300SS

OWNER'S MANUAL

GUIDE DE L'UTILISATEUR

READ THIS MANUAL CAREFULLY
It contains important safety information

VEUILLEZ LIRE ATTENTIVEMENT CE MANUEL
Il contient des informations importantes
sur la sécurité et l'utilisation de ce véhicule

TABLE OF CONTENTS

Foreword	8
Welcome	8
EVAP System (Evaporative Emission Control System)	9
Catalytic Converter	10
Introduction	13
VIN and Engine Serial Number	14
Specifications	15
Operator Safety	18
General Safety Precautions	18
Owner Responsibilities.....	22
Safe Riding Gear.....	23
Potential Hazard Warnings.....	26
Safety Decals and Locations	31
Vehicle View (Double Swing Arms)	33
Rear Left View	33
Front Right View.....	34
Vehicle View (Single Swing Arm)	35
Rear Left View	35

Front Right View.....	36
Controls and Features	37
Clutch Lever	37
Front Hand Brake Lever.....	37
Handlebar Switch, LH	38
Handlebar Switch, RH.....	39
Throttle Grip	39
Locks	40
Gear Shift Lever	42
Rear Brake Lever	43
Side Stand.....	43
Passenger Handhold and Footrest	44
Instrument.....	45
Activation and Test	45
Instrument Indicators.....	46
Instrument Display	49
Instrument Menu	55
Operating Your Vehicle	81
Break-In Period	81
Daily Safety Inspection.....	82

Starting.....	84
Starting Off.....	85
Shifting, Riding.....	85
Brake.....	87
Parking.....	88
Safety Operation.....	89
Safe Riding Technique.....	89
Additional Cautions for High Speed Operation.....	91
Maintenance.....	92
Severe Use Definition.....	92
Key Points of Lubrication Schedule.....	93
Break-In Maintenance Schedule.....	94
Periodic Maintenance Schedule.....	97
Clutch Lever Free Play.....	103
Tool Kit.....	104
Fuel System.....	105
Fuel Tank.....	105
Fuel Requirements.....	106
Engine Assembly.....	107
Engine Oil Level Inspection.....	107

Change Engine Oil and Oil Filter.....	108
Engine Oil Capacity.....	110
Spark Plug.....	111
Idling.....	111
Air Intake and Exhaust System.....	112
Fuel and Exhaust Detecting System.....	112
Air Intake Valve.....	112
Valve Clearance.....	113
Air Filter.....	114
Throttle Body.....	114
Cooling System.....	115
Radiator and Cooling Fan.....	115
Radiator Hoses.....	115
Coolant.....	116
Coolant Level Inspection.....	118
Coolant Filling.....	119
Tires and Chain.....	120
Tire Specifications.....	120
Tire Payload.....	121
Tire Friction.....	122

Drive Chain Inspection	123
Chain Tension Adjustment (Double Swing Arms)	125
Chain Tension Adjustment (Single Swing Arm)	126
Brake System.....	128
Front Brake Lever Inspection	128
Rear Brake Pedal Inspection	128
Brake Fluid Level Inspection	129
Adding Brake Fluid	130
Brake Disc Inspection	132
Brake Caliper Inspection	133
Anti-Lock Braking System (ABS)	134
Shock Absorbers	135
Shock Absorber Inspection	135
Rear Shock Absorber Adjustment	135
Electrical System and Lights.....	136
Battery	136
Light	140
Fuse	141
Catalytic Converter.....	142
Fuel Evaporation System.....	143

Cleaning and Storage	144
General Precautions	144
Washing the Vehicle.....	145
Protecting the Surface.....	146
Windshield and Other Plastic	146
Chrome and Aluminum.....	146
Preparation for Storage	148
Preparation After Storage.....	149
Transporting Your Vehicle	149
General Troubles and Causes	150
Reporting Safety Defects	152
Warranty Information	154
Change of Ownership	154
CFMOTO LIMITED WARRANTY	155
Telematics Box	164

FOREWORD

Welcome

Thank you for purchasing a CFMOTO vehicle, and welcome to our world-wide family of CFMOTO enthusiasts. Be sure to visit us online at www.cfmoto.com for the latest news, new product introductions, upcoming events, and more.

CFMOTO is an international company that specializes in the development, manufacture, and marketing of all-terrain vehicles, utility vehicles, large displacement motorcycles, and their core components. Founded in 1989, CFMOTO is devoted to the development of independent brand cultivation and R&D innovation. CFMOTO products are currently distributed through more than 2000 companions worldwide in more than 100 countries and regions. CFMOTO is edging into the advanced ranks in the world of powersports, and aims to supply superior products to dealers and fans globally.

For safe and enjoyable operation of your vehicle, be sure to follow the instructions and recommendations in this owner's manual. Your manual contains instructions for minor maintenance. Information about major repairs is outlined in the CFMOTO Service Manual.

Your CFMOTO dealer knows your vehicle best and is interested in your total satisfaction. Be sure to return to your dealership for all of your service needs during, and after, the warranty period.

Due to constant improvements in the design, quality, or configuration of production components, some minor discrepancies may result between the actual vehicle and the information presented in this publication. CFMOTO reserves the right to change product features, specifications and components without notice or incurring obligation to the purchaser. Depictions and/or procedures within are intended for reference use only. The most current version of this manual may be available on the CFMOTO consumer website of the market you reside in.

This manual is for the following vehicles:CF300-5US CF300-5BUS

FOREWORD

Before every ride, please inspect your vehicle and follow the basic maintenance procedures before riding. Please keep this manual together with your vehicle, even when transferring the vehicle to others.

Zhejiang CFMOTO power Co., Ltd reserves the final explanation rights of the owner's manual.

DANGER

Operating, servicing and maintaining on-road or off-road vehicles can expose you to chemicals including engine exhaust, carbon monoxide, phthalates, and lead, which are known to cause cancer and birth defects or other reproductive harm. To minimize exposure, avoid breathing exhaust, do not idle the engine except as necessary, service your vehicle in a well-ventilated area and wear gloves or wash your hands frequently when servicing your vehicle.

EVAP System (Evaporative Emission Control System)

(If equipped)

When required by environmental emissions regulations, this vehicle is manufactured with a fuel evaporation system (EVAP) to prevent fuel vapors entering the atmosphere from the fuel tank and fuel system.

During routine maintenance, visually inspect all hose connections for leaks or blockage. Ensure the hoses are not clogged or kinked, which could damage the fuel pump or distort the fuel tank. No other maintenance is necessary.

Contact your dealer if repair is required. Do not modify the EVAP system. Modifying any part of this system will violate environmental emissions regulations.

FOREWORD

Catalytic Converter

CAUTION: Please pay attention to the following to protect your catalytic converter:

- Use only unleaded gasoline. Even gasoline that contains a little lead could damage the reactive metals contained in the catalytic converter and disable it.
- Never add rust preventive oil or engine oil into the muffler. Doing so could damage the catalytic converter.

NOTE

Some features described within this manual may not apply to models in your market.

All descriptions and directions given are from the operator's perspective when properly seated.

Information in this publication is based on the latest production available at the time of approval for printing.

CFMOTO reserves the right to make changes at any time without notice and without incurring any obligation.

FOREWORD

Signal Words

A signal word calls attention to a safety message or messages, a property damage message or messages, and designates a degree or level of hazard seriousness. The standard signal words in this manual are **DANGER**, **WARNING**, **CAUTION** and **NOTE**.

The following signal words and symbols appear throughout this manual and on your vehicle. Your safety is involved when these words and symbols are used. Become familiar with their meanings before reading the manual:

DANGER

This safety alert and icon indicates a potential hazard that may result in serious injury or death.

WARNING

This safety alert and icon indicates a potential hazard that may result in minor or moderate personal injury and/or damage to the vehicle.

CAUTION

This safety alert and icon indicates a potential hazard that may result in damage to the vehicle.

NOTE

A note or notice will alert you to important information or instructions.

FOREWORD
READ THE OWNER'S MANUAL
FOLLOW ALL INSTRUCTIONS AND WARNINGS

 WARNING

Read, understand, and follow all of the instructions and safety precautions in this manual and on all product labels. Failure to follow the safety precautions could result in serious injury or death.

 WARNING

The engine exhaust gas from this product contains CO, which is deadly gas and could cause headaches, giddiness, loss of consciousness, or even death.

INTRODUCTION

Thank you for purchasing a CFMOTO vehicle, and welcome to our world-wide family of CFMOTO enthusiasts. For safe and enjoyable operation of your vehicle, be sure to follow the instructions and recommendations in this owner's manual. Information about major repairs are outlined in the CFMOTO Service Manual, and should only be performed by a CFMOTO service dealer and technician. Be sure to return to your dealership for all of your service needs during, and after, the warranty period.

If you have questions or concerns about your vehicle

All questions or concerns related to your vehicle should be directed to your local CFMOTO dealer first. Your dealer knows your vehicle best and is interested in your total satisfaction. In the event your local dealer is unable to resolve a product issue or concern, you can reach a CFMOTO customer service representative depending on the market you reside in:

For USA: Please contact CFMOTO POWERSPORTS, INC. TEL: 763-398-2690, bye-mail: info@cfmotousa.com, or online: <https://cfmotousa.com/customer-care/customer-care-contact>. Please note that customer service does not have authority to approve or deny warranty, and cannot provide technical repair data, diagnosis, or instructions.

For CANADA: Please contact CANADA MOTOR IMPORT INC. TEL: 1-418-227-2077, or online: <https://www.cfmoto.ca/en/customer-care/>.

For a safety concern related to your Canadian vehicle, you may report your concern to Transport Canada Defect Investigation and Recalls Division by mail, telephone, or online using the contact information below:

Mailing address: Transport Canada - ASFAD, 330 Sparks Street, Ottawa, ON, K1A 0N5

TEL: 819-994-3328 (Ottawa-Gatineau area or international) or toll-free: 1-800-333-0510 (In Canada)

Online: <http://www.tc.gc.ca/recalls>

INTRODUCTION

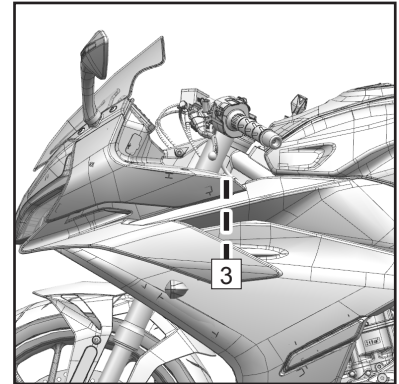
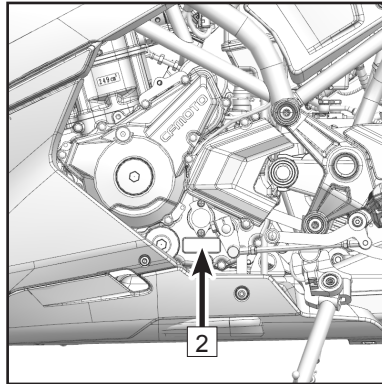
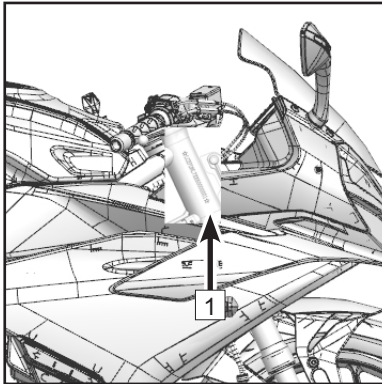
VIN and Engine Serial Number

Be sure to record the VIN number, engine serial number and name plate information in the spaces below:

Vehicle Identification Number:

Engine Serial Number:

Name Plate Number:



1	VIN No.	2	Engine Serial No.	3	Vehicle Plate.
---	---------	---	-------------------	---	----------------

SPECIFICATIONS

	300SS
	CF300-5US CF300-5BUS
Performance	
Max. Power	29.5 Hp (22 kw) / 9500 RPM
Max. Torque	19.9 ft-lb (27 N•m) / 6500 RPM
Top Designed Speed	86.9 mph (140 km/h)
Size	
Length	79.1 in (2010 mm)
Width	29.5 in (750 mm)
Height	43.5 in (1105 mm)
Wheelbase	53.7 in (1365 mm)
Ground Clearance	5.5 in (140 mm)
Curb Weight	350.5 lb (159 kg)
Engine	
Type	Single cylinder, four stroke, liquid-cooled, vertical type
Displacement	298 CC
Bore×Stroke	3.07 in × 2.45 in (78 mm × 62.4 mm)
Compression Ratio	11.5 : 1
Starting System	Electric starter
Fuel Supplying System	EFI
Ignition Control System	ECU Ignition
Lubricating System	Pressure / splash lubrication

SPECIFICATIONS

Oil Capacity	When changing an oil filter: 1.47 qt (1.4 L)	
Engine oil type	SAE 10W-40 JASO-MA2	
Idle Speed	1550 r/min \pm 150 r/min	
Transmission		
Transmission type	6-speed, manual gear shift	
Clutch type	Wet, multi-disc, manual	
Driving system	Chain drive	
Primary reduction ratio	2.800	
Final reduction ratio	2.929	
Gear ratio	1 st	3.333
	2 nd	2.118
	3 rd	1.571
	4 th	1.304
	5 th	1.115
	6 th	0.963
Chassis		
Tire size	Front	110/70 R17 M/C 54H
	Rear	140/60 R17 M/C 63H
Rim size	Front	MT 3.0 \times 17
	Rear	MT 3.75 \times 17
Capacity of fuel tank	3.17 gal (12 L)	
Fuel consumption	0.84 gal / 62 miles (3.2 L / 100 km)	
Electric components		

SPECIFICATIONS

Battery	12V / 9 Ah
Headlight	LED
Tail / brake light	LED
Turn signals	LED

OPERATOR SAFETY

General Safety Precautions

WARNING

Failure to heed the warnings contained in this manual can result in serious injury or death. This vehicle is not a toy and can be hazardous to operate.

Read this owner's manual. Understand all safety warnings, precautions and operating procedures before operating this vehicle.

Riding Restrictions

This vehicle is an ADULT VEHICLE ONLY. The operator must acquire a driving license as required by local laws and regulations.

Know Your Vehicle

As the operator of the vehicle, you are responsible for your personal safety, the safety of others, and the protection of the environment. Read and understand your owner's manual, which includes valuable information about all aspects of your vehicle, including safe operating procedures.

OPERATOR SAFETY

Equipment Modifications

CFMOTO is concerned with the safety of our customers and for the general public. Therefore, we strongly recommend that consumers do not install on a vehicle, any equipment that may increase the speed or power of the vehicle, or make any other modifications to the vehicle for these purposes. Any modifications to the original equipment of the vehicle create a substantial safety hazard and increase the risk of body injury. The warranty on your vehicle is terminated if any unapproved accessory equipment has been added to the vehicle, or if any modifications have been made to the vehicle that increase its speed or power.

Avoid Carbon Monoxide Poisoning

All engine exhaust contains carbon monoxide, a deadly gas. Breathing carbon monoxide can cause headaches, dizziness, drowsiness, nausea, confusion and eventually death.

Carbon monoxide is a colorless, odorless, tasteless gas that may be present even if you do not see or smell any engine exhaust. Deadly levels of carbon monoxide can collect rapidly, and you can quickly be overcome and unable to save yourself. Also, deadly levels of carbon monoxide can linger for hours or days in enclosed or poorly ventilated areas.

To prevent serious injury or death from carbon monoxide:

- Never run the vehicle in poorly ventilated or partially enclosed areas.
- Never run the vehicle outdoor where engine exhaust can be drawn into a building through openings such as windows and doors.

OPERATOR SAFETY

Avoid Gasoline Fires and Other Hazards

Gasoline is extremely flammable and highly explosive. Fuel vapors can spread and be ignited by a spark or flame many feet away from the engine. To reduce the risk of fire or explosion, follow these instructions:

- Strictly adhere to proper fueling procedures.
- Never start or operate the engine if the fuel cap is not properly installed. Gasoline is poisonous and can cause injury or death.
- Never siphon gasoline by mouth.
- If you swallow gasoline, get any in your eye (s) , or inhale gasoline vapor, see a doctor immediately.
- If gasoline spills on you, wash with soap and water and change your clothes.

Fuel Minimum Octane Rating and Safety Warnings

The recommended fuel for your vehicle is 87 octane or premium unleaded only (a maximum blend of 10% ethanol is allowed). Non-oxygenated (ethanol-free) fuel is recommended for best performance in all conditions.

OPERATOR SAFETY

WARNING

Gasoline is highly flammable and explosive under certain conditions.

Allow the engine and exhaust system to cool before filling the tank.

Always exercise extreme caution whenever handling gasoline.

Always refuel with the engine stopped, and outdoors or in a well ventilated area.

Do not smoke or allow open flames or sparks in or near the area where refueling is performed, or where gasoline is stored.

Do not overfill the tank. Do not fill to the tank neck.

If gasoline spills on your skin or clothing, immediately wash it off with soap and water and change clothing. Never start the engine or let it run in an enclosed area. Engine exhaust fumes are poisonous and can cause loss of consciousness or death in a short time.

The engine exhaust from this product contains chemicals known to cause cancer, birth defects or other reproductive harm. Operate this vehicle only outdoors or in well-ventilated areas.

Avoid Burns From Hot Parts

The exhaust system and engine become hot during operation. Avoid contact during and shortly after operation to avoid burns.

OPERATOR SAFETY

Owner Responsibilities

Be Qualified and Responsible

Read this Owner's Manual and the warning decals on this vehicle carefully. Take a safety training course on open areas if available. Practice at low speeds. Higher speeds require greater experience, knowledge and suitable riding conditions. Become completely familiar with the operational controls and the general operation of the vehicle.

This vehicle is an ADULT VEHICLE ONLY. The operator must acquire a driving license as required by local laws and regulations. Operators must be tall enough with physical capacity to: be properly seated, hold the handlebar with both hands, fully stroke the clutch lever with the left hand, fully stroke the brake lever with the right hand, fully stroke the foot brake lever with the right foot, be able to firmly plant both feet on the foot pegs, and be able to balance the vehicle with the feet when stopped.

Carrying a Passenger

- The operator must acquire a driving license as required by local laws and regulations for models equipped to carry passengers.
- Only carry one passenger. The passenger must be properly seated in the passenger seat. The passenger should be tall enough to always be properly seated when holding handhold, and feet firmly planted on the foot pegs.
- Instruct the passenger to read the vehicle's safety labels.
- Never carry a passenger who has used drugs or alcohol, or is tired or ill. These slow reaction time and impair judgment.
- Never carry a passenger if you judge their ability or judgment is insufficient to concentrate on the terrain conditions and adapt accordingly.

OPERATOR SAFETY

Safe Riding Gear

Always wear clothing suited to the type of riding for the driver and passenger, includes:

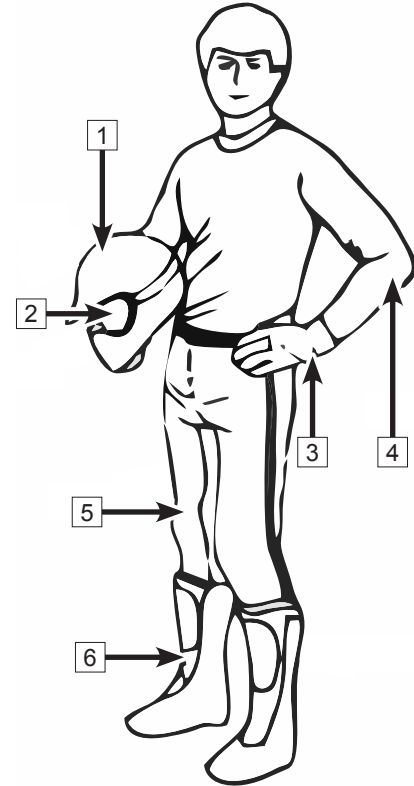
- 1 An approved helmet
- 2 Eye protection.
- 3 Gloves
- 4 Long sleeve shirts or jackets
- 5 Long pants
- 6 Over-the-ankle boots

According to the actual weather, you may need extra apparel, such as anti-fog eye protection, thermal underwear and a face guard for cold weather. The operator must never wear loose clothing that may get entangled in the vehicle or on tree branches and shrubs.

Helmet and Eye Protection

An approved helmet can prevent a serious head injury if an accident occurs. Please note that even the best helmet is no guarantee against injury.

The helmet you choose should meet the standard for your country or area. A closed-face helmet with face shield will be better at preventing impacts from insects, flying rocks, dust and scattered debris, etc.



OPERATOR SAFETY

An open-face helmet cannot offer the same protection for your face and jaw. Please wear detachable face masks and goggles when wearing an open-face helmet.

Do not depend on eyeglasses or sunglasses for eye protection, as they are not rated for impact protection. Debris may fly up and or break the lens, causing eye injury.

Use tinted masks or goggles only during the day in bright light, do not use them at night or in poor light. They may affect your ability to distinguish colors. Do not use them if your color discrimination is affected.

Gloves

Full-finger gloves could protect your hands from wind, sun, heat, cold, and splash. Well-fitted gloves are helpful for steering and relieve hand fatigue. If the gloves are too heavy, it will be difficult to operate the vehicle.

A pair of strong motorcycle gloves offer protection for your hands in the event of an accident or turnover. Snowmobile gloves offer better protection when operating in cold areas.

Jackets, Pants and Motorcycle Suits

Wear a jacket or a long sleeved shirt and long pants, or a full riding suit. Quality protective gear will provide comfort, and it can help you avoid being distracted by adverse environmental elements. In case of an accident, good quality protective gear made of sturdy material may prevent or reduce injury.

In cool-weather riding, protect yourself against hypothermia. Hypothermia, a condition of low body temperature, can cause loss of concentration, slowed reactions and loss of smooth, precise muscle movement. In cool conditions, proper protective gear like a windproof jacket and insulated layers of clothing are essential. Even while riding at moderate temperatures, you can feel very cold due to the wind. Protective gear that is appropriate for cold-weather riding may be too hot when stopped. Dress in layers so that clothing can be removed as desired. Topping the protective gear with a windproof outer layer can prevent cold air from reaching the skin.

OPERATOR SAFETY

Boots

Always wear closed-toe, over-the-ankle boots. Sturdy over-the-ankle boots with non-slip soles offer more protection, and allow you to plant your foot properly on the foot pegs. Avoid long shoelaces that could get tangled in the vehicle components. For winter riding conditions, rubber-soled boots with either nylon or leather uppers and removable felt liners are best suited. Avoid rubber rain boots. Rubber rain boots may get trapped behind the foot brake pedal, impairing proper operation.

Other Riding Gear

Rain Gear

When riding in rainy weather, a rain suit or a waterproof riding suit is recommended. On long rides, it is a good idea to carry rain gear. Keeping clothes dry results in being much more comfortable and alert.

Hearing Protection

Long-term exposure to wind and engine noise when riding can cause permanent hearing loss. Properly worn hearing protective devices such as earplugs can help prevent hearing loss. Check local laws before using any hearing protective devices.

OPERATOR SAFETY

Potential Hazard Warnings

WARNING

POTENTIAL HAZARD:

Operating this vehicle without proper instruction.

WHAT CAN HAPPEN:

The risk of an accident is greatly increased if the operator does not know how to operate the vehicle properly in different situations and on different types of terrain.

HOW TO AVOID THE HAZARD:

Beginning and inexperienced operators should complete a safety training course if offered by dealer. Operators should regularly practice the skills learned in the course and any operating techniques described in the owner's manual.

WARNING

POTENTIAL HAZARD:

Failure to follow the age recommendations for this vehicle.

WHAT CAN HAPPEN:

Severe injury and/or death could occur if a child under the minimum age recommendation operates this vehicle. Even though a child may be within the recommended age group for operating, he/she may not have the skills, abilities, or judgment needed to operate safely and could be susceptible to accident or injury.

HOW TO AVOID THE HAZARD:

The operator must acquire a driving license as required by local laws and regulations.

OPERATOR SAFETY

⚠️ WARNING

POTENTIAL HAZARD:

Operating this vehicle without wearing approved helmet, eye protection, and protective clothing.

WHAT CAN HAPPEN:

Operating without an approved helmet increases the risk of a severe head injury or death in the event of an accident. Operating without eye protection could result in an accident and could increase the chance of a severe eye injury in the event of an accident. Operating without protective clothing could increase the chance of a severe injury.

HOW TO AVOID THE HAZARD:

Always wear an approved helmet that fits properly. Always wear eye protection (goggles or face shield) , gloves, long-sleeved shirt or jacket, long pants, and over-the-ankle boots.

⚠️ WARNING

POTENTIAL HAZARD:

Operating the vehicle after consuming alcohol or drugs.

WHAT CAN HAPPEN:

Consumption of alcohol and/or drugs could seriously affect operator judgment. Reaction time may be slower and operator balance and perception could be affected. Consumption of alcohol and/or drugs before or while operating a vehicle could result in an accident causing severe injury or death.

HOW TO AVOID THE HAZARD:

Never consume alcohol or drugs before or while operating the vehicle.



OPERATOR SAFETY

WARNING

POTENTIAL HAZARD:

Operating at excessive speeds.

WHAT CAN HAPPEN:

Excessive speed increases the operator's chance of losing control, which can result in an accident.

HOW TO AVOID THE HAZARD:

Always operate at a speed that's proper for the terrain, visibility and operating conditions, and your experience.

WARNING

POTENTIAL HAZARD:

Attempting slides, jumps, and other stunts.

WHAT CAN HAPPEN:

Attempting stunts increases the chance of an accident, including an overturn.

HOW TO AVOID THE HAZARD:

Never attempt slides, jumps, or other stunts.

OPERATOR SAFETY

WARNING

POTENTIAL HAZARD:

Failure to inspect the vehicle before operating. Failure to properly maintain the vehicle.

WHAT CAN HAPPEN:

Poor maintenance increases the possibility of an accident or equipment damage.

HOW TO AVOID THE HAZARD:

Always inspect your vehicle before each use to make sure it is in safe operating condition.

Always follow the inspection and maintenance procedures and schedules described in the owner's manual.

WARNING

POTENTIAL HAZARD:

Operating this vehicle with improper tires, or with improper or uneven tire pressure.

WHAT CAN HAPPEN:

Use of improper tires, or operation of the vehicle with improper or uneven tire pressure, could cause loss of control or an accident.

HOW TO AVOID THE HAZARD:

Always use the size and type of tires specified in the owner's manual. Always maintain proper tire pressure.

OPERATOR SAFETY

WARNING

POTENTIAL HAZARD:

Operating the vehicle with improper modifications.

WHAT CAN HAPPEN:

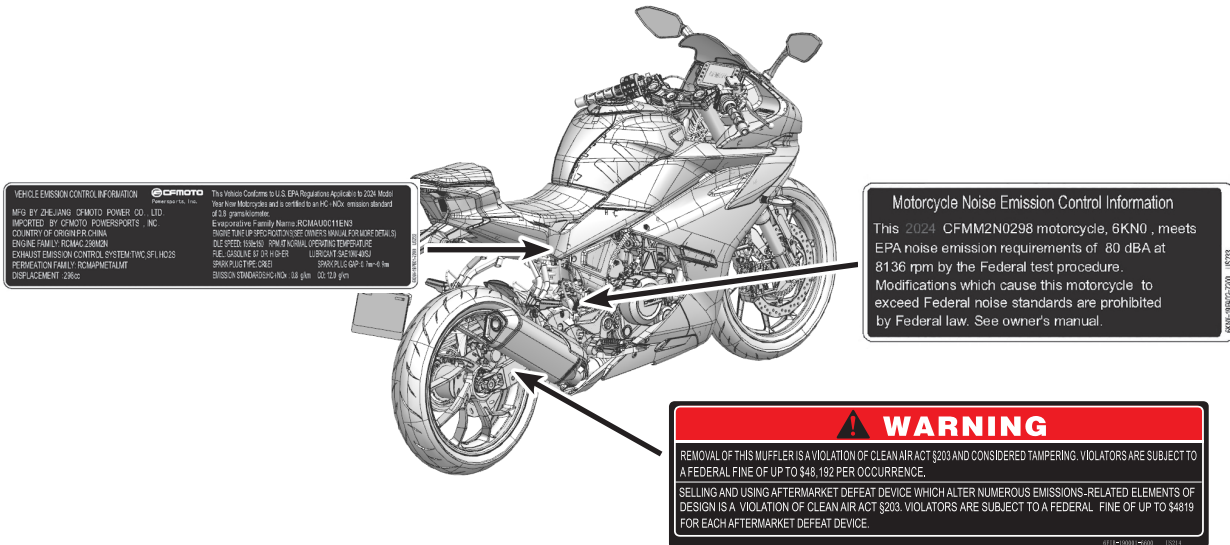
Improper installation of accessories or modification of the vehicle may cause changes in handling which could lead to an accident.

HOW TO AVOID THE HAZARD:

Never modify the vehicle through improper installation or use of accessories. All parts and accessories added to the vehicle must be genuine parts or equivalent components designed for use on this vehicle, and they should be installed and used according to approved instructions. Consult your dealer for more information.

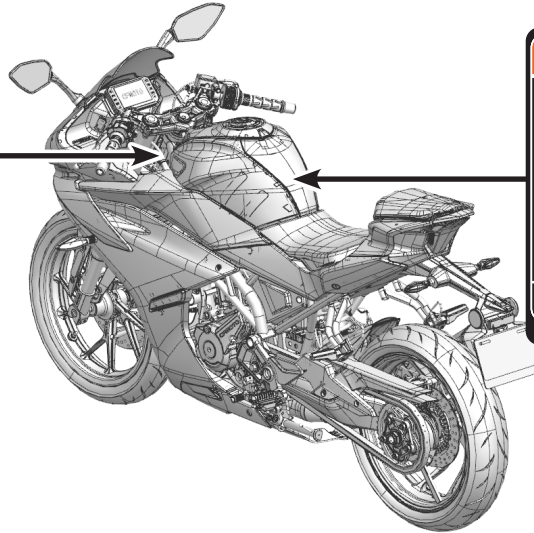
SAFETY DECALS AND LOCATIONS

Read and understand all of the safety and information labels on your vehicle for safe and proper operation. Never remove any labels from your vehicle. If a label becomes difficult to read or falls off, a replacement is available from your CFMOTO dealer.



SAFETY DECALS AND LOCATIONS

MANUFACTURED BY: ZHEJIANG CFMOTO POWER CO., LTD.				
DATE OF MFG	MM/YY	GVWR	335kg (738Lbs)	
GVWP	TIRES	DIMENSION	SEW	COLD
FRONT 110kg (242Lbs)	110/70R17 M/C (54H)	W3, D×17	225RPa (32.6PSI)	
REAR 225kg (494Lbs)	140/60R17 M/C (63H)	W3, D×17	225RPa (32.6PSI)	
THIS VEHICLE CONFORMS TO ALL APPLICABLE FEDERAL MOTOR VEHICLE SAFETY STANDARDS IN EFFECT ON THE DATE OF MANUFACTURE SHOWN ABOVE.				
VIN	TYPE OF VEHICLE: MOTORCYCLE			



⚠ WARNING

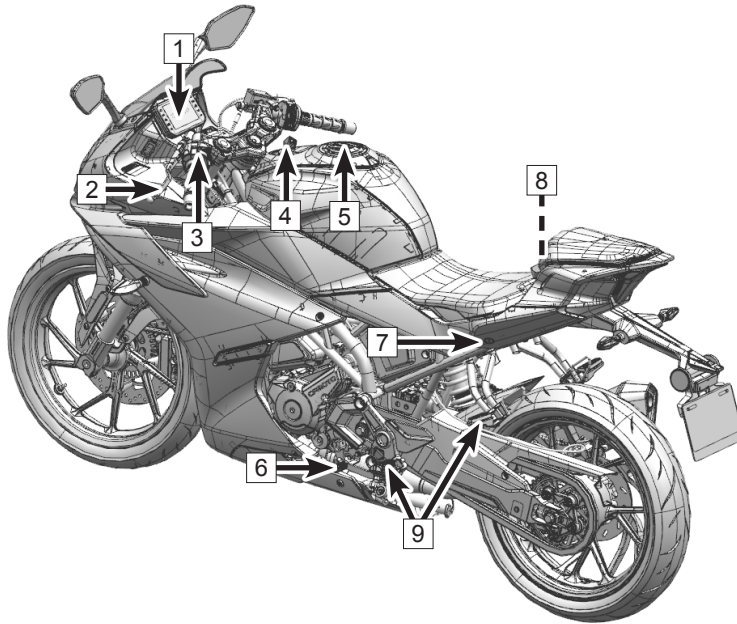
- BEFORE YOU OPERATE THIS VEHICLE, READ THE OWNER'S MANUAL AND ALL LABELS.
- ALWAYS WEAR AN APPROVED MOTORCYCLE HELMET, EYE PROTECTION, AND PROTECTIVE CLOTHING.
- DO NOT TOUCH OVERHEATED, ROTATING PARTS SUCH AS EXHAUST PIPE, ENGINE, WHEEL AND ECT.
- PLEASE SLOW DOWN ON POOR VISIBILITY AND SLIPPERY ROAD.

PREMIUM UNLEADED GASOLINE 87 OR HIGHER

6F1V-190002-6600

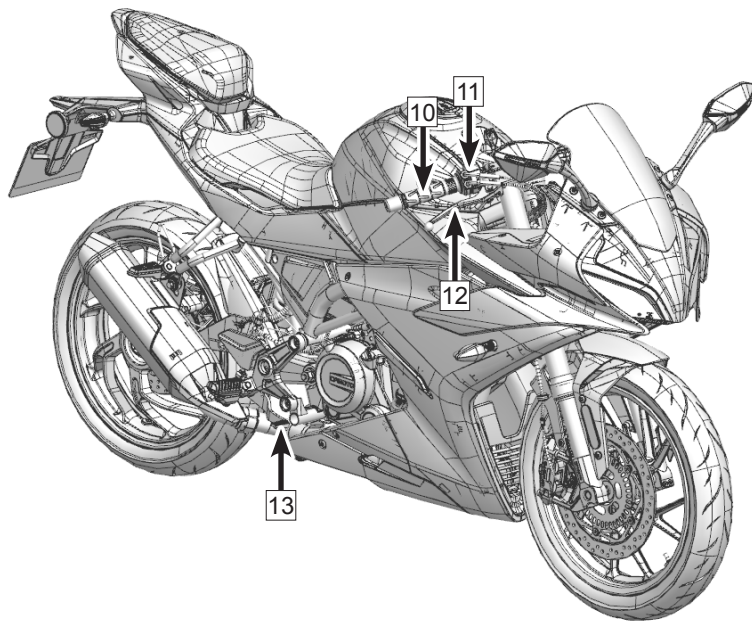
Vehicle View (Double Swing Arms)

Rear Left View



- 1: Instrument
- 2: Clutch lever
- 3: Handlebar switch, LH
- 4: Ignition switch lock
- 5: Fuel tank lock
- 6: Gear shift lever
- 7: Seat lock
- 8: Passenger handhold
- 9: Footrest

Front Right View



10: Throttle grip

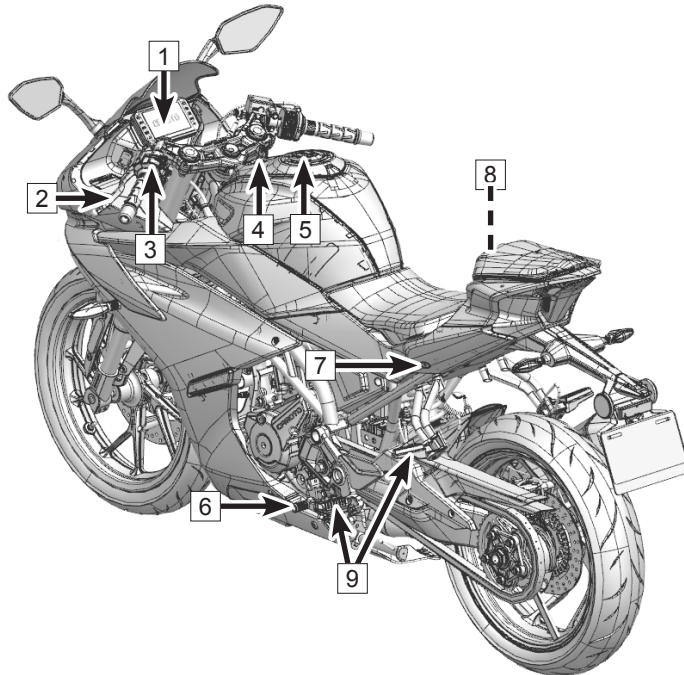
11: Handle bar switch, RH

12: Front hand brake lever

13: Rear brake lever

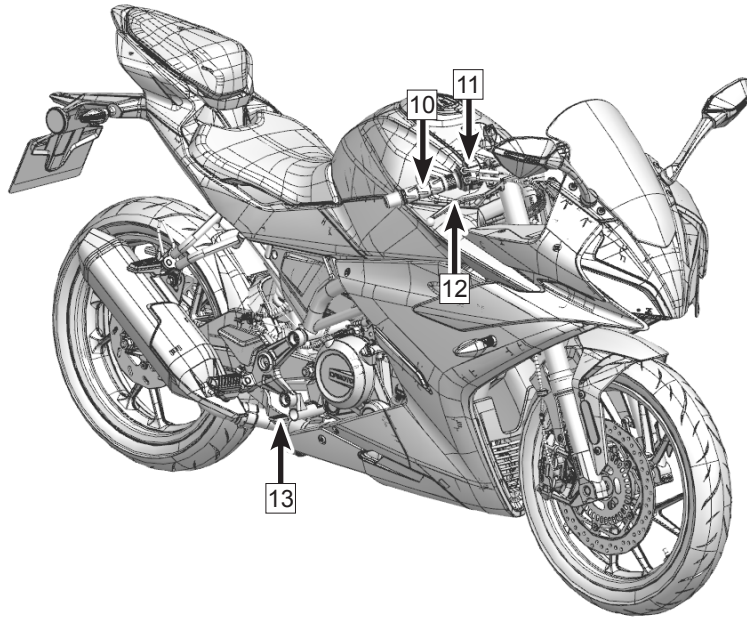
Vehicle View (Single Swing Arm)

Rear Left View



- 1: Instrument
- 2: Clutch lever
- 3: Handlebar switch, LH
- 4: Ignition switch lock
- 5: Fuel tank lock
- 6: Gear shift lever
- 7: Seat lock
- 8: Passenger handhold
- 9: Footrest

Front Right View



10: Throttle grip

11: Handle bar switch, RH

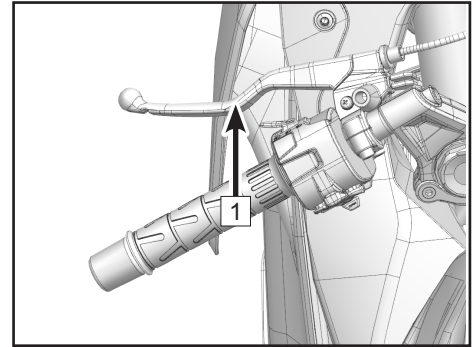
12: Front hand brake lever

13: Rear brake lever

CONTROLS & FEATURES

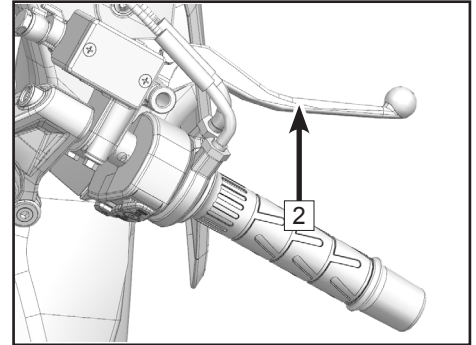
Clutch Lever

Clutch lever **1** is on the left side of handlebar. The clutch is cable-operated type.



Front Hand Brake Lever

Front hand brake lever **2** is on the right side of handlebar. Front brake caliper activates braking by pulling in the hand brake lever.









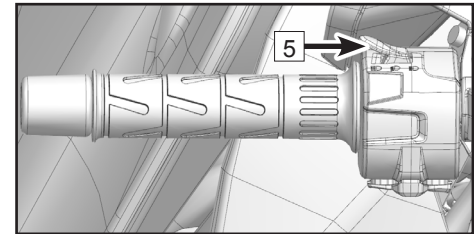
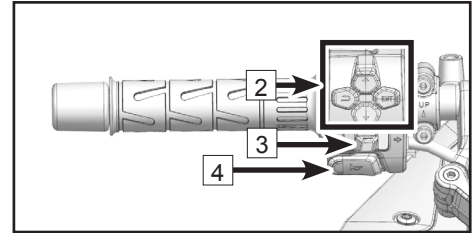
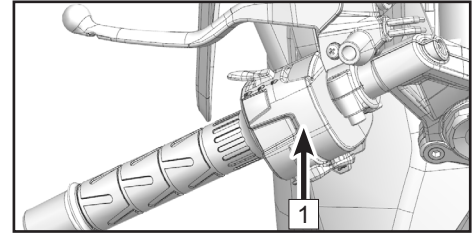
CONTROLS & FEATURES

Handlebar Switch, LH

Left handlebar switch **1** is on the left side of the handlebar.

Functions of left handlebar switch

2	Instrument button		Instrument operations are detailed in the instrument section of the manual.
3	Turn light switch		Pushing this switch to the right activates the right turn light.
			Pushing this switch to the left activates the left turn light.
4	Horn button		Short press to sound the horn.
5	Dimmer push switch		Turn to this position to flash the headlight.
			Turn to this position to activate the low beam lights.
			Turn to this position to activate the high beam lights.







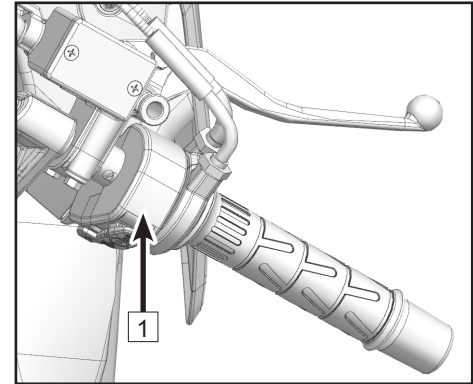
CONTROLS & FEATURES

Handlebar Switch, RH

Right handlebar switch **1** is on the right side of the handlebar.

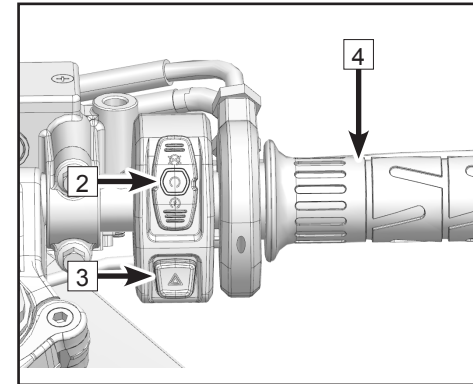
Functions of right handlebar switch

2	Start and stop switches		Turn to this position to shut off the vehicle.
			Turn to this position to prepare the vehicle for starting.
			Push this button to start the vehicle.
3	Hazard flasher switch		Press to turn on the hazard flasher light.



Throttle Grip




Throttle grip **4** is on the right side of handlebar.

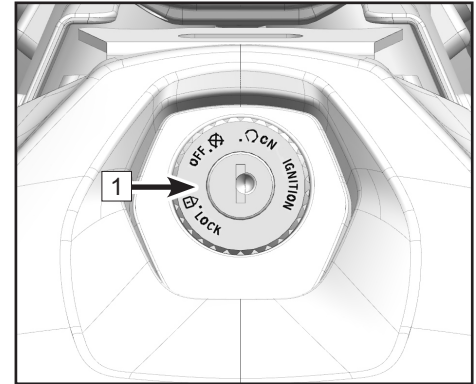


CONTROLS & FEATURES

Locks

Ignition switch 1

Handlebar lock		Turn the handlebar to the left, and then turn the key to the lock indicator to lock the handlebar.
Turn off		Turn the key to this position to stop the engine and disconnect the vehicle's power circuit.
Start		Turn the key to this position to start the engine and connect the vehicle's power circuit.



CONTROLS & FEATURES

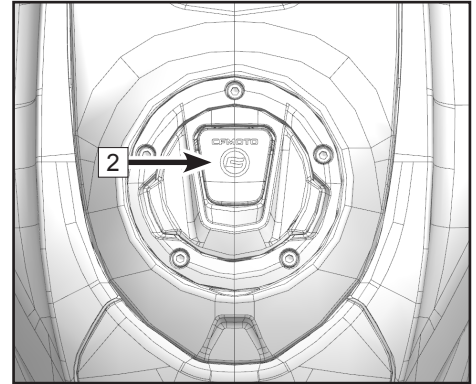
Fuel Tank Lock 2

Before opening the fuel tank lock: Stop the vehicle and turn off the engine.

Open the fuel tank lock cover.

Insert the key and turn to release the lock.

Open the fuel tank cap.

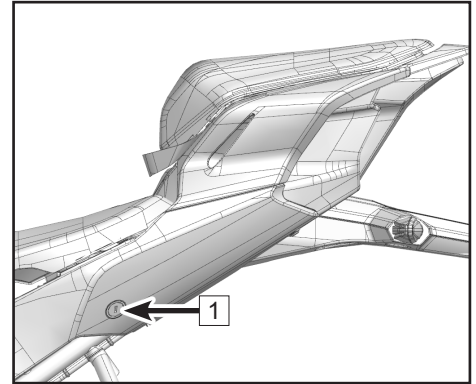


CONTROLS & FEATURES

Seat Lock 1

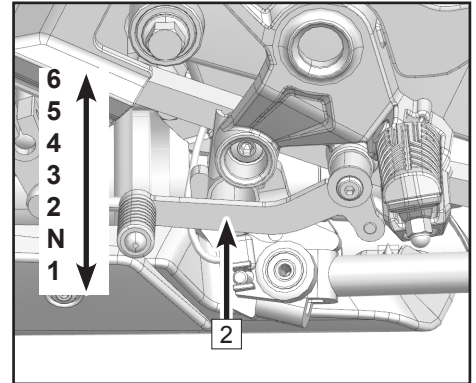
The seat lock is on the left side of the vehicle.

The seat can be removed by inserting the key and turning to release the lock.



Gear Shift Lever

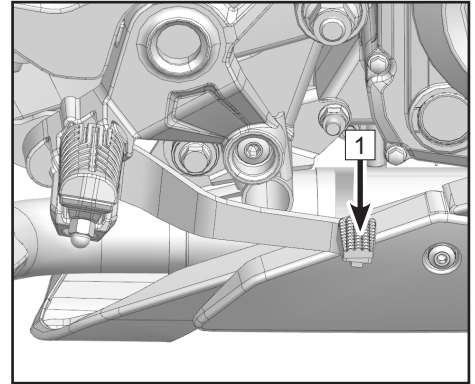
The gear shift lever 2 is on the left side of the engine.



CONTROLS & FEATURES

Rear Brake Lever

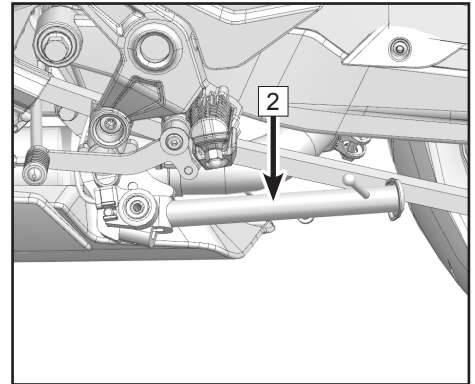
The rear brake lever **1** is on the right side of the engine. Step on the rear brake lever to slow down or stop the vehicle.



Side Stand

The side stand **2** is on the left side of the vehicle, and it is used for parking.

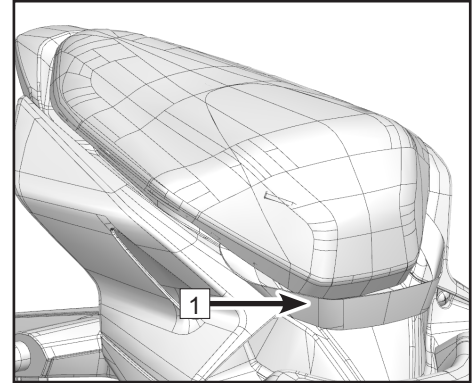
NOTE: When the side stand is lowered, the vehicle can only be started with the transmission in neutral.



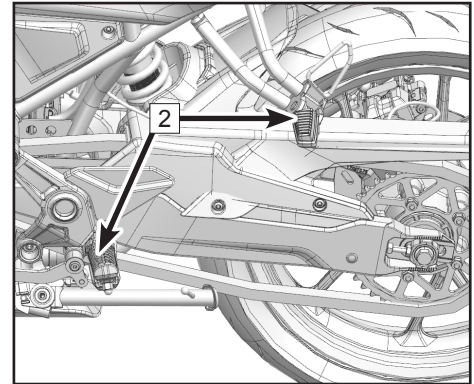
CONTROLS & FEATURES

Passenger Handhold and Footrest

A passenger handhold **1** is mounted on the motorcycle seat for passenger to hold on during riding.



Footrests **2** are mounted on the motorcycle for the operator and passenger.



OPERATING YOUR VEHICLE

Instrument

NOTE

Due to function, adjustment, and version updates of the instrument and renewed vehicle configurations by market, some contents of the instrument may change. Please selectively refer to this section according to the actual vehicle.

Instrument

Instrument is located at the front of handlebar, there are two function areas:

- 1: Instrument indicators area
- 2: Instrument display area

Activation and Test

Activation

The instrument is activated immediately when the motorcycle is powered on.

Test

Upon activation, the instrument goes into self-inspection mode, in which a start-up animation displays and indicator lights are turned on. At this time, the selection button will not respond until the self-inspection has completed.








OPERATING YOUR VEHICLE



Instrument Indicators



OPERATING YOUR VEHICLE

Ref	Symbol	Function	
1		Flash	Indicator flashes when the turning light turns on.
2		Keep on	Position light indicator will be on when position light turns on.
3		Keep on	When electric circuit is connected and engine is off, EFI fault indicator will be on. If the engine is not off and the indicator is still on, it means the vehicle detects any fault, the fault will be displayed on the dashboard for warning. Please stop the vehicle in place according to traffic regulations when EFI fault indicator is on and contact your CFMOTO dealer soon.
4		Flash / Keep on	When the vehicle is powered on, the ABS indicator will flash until the vehicle begins to move at speeds above 3-5 mph (5~8km/h) and remains off until the next power on or a fault occurs. This is normal. If a fault is detected, the ABS indicator turns on and stays on. The ABS is automatically deactivated in a fault condition, but the vehicle retains full basic braking function. Please drive at slow speeds, avoid hard braking, and contact your CFMOTO dealer as soon as possible.
5		Keep on	High beam indicator will be on when high beam lamp turns on.

OPERATING YOUR VEHICLE

6		Keep on	Coolant temp. indicator will flash when the coolant is in high temperature. Please stop the vehicle in place according to traffic regulations to wait for cooling down the temperature. If the coolant temp. indicator flashes frequently, please contact your CFMOTO dealer soon.
7			When the Brightness Control indicator is enabled, the instrument automatically adjusts its brightness of according to the external environment light.

OPERATING YOUR VEHICLE

Instrument Display

Optional Info 1

You can select a message from the menu to be displayed here or on the main interface.

Press ▲ to choose Optional Info 1.

Optional Info 1: TRIP 1, TRIP 2, ODO.

Menu

Press ENT to enter the menu, and please refer to the Instrument Menu section.



OPERATING YOUR VEHICLE

Coolant Temperature

Coolant temperature is displayed with bars. More bars light up as the coolant temperature rises. When the last bar turns red, the coolant has reached a dangerous temperature exceeding 115°C .

⚠ WARNING

Extreme temperatures may damage the engine.

If the coolant reaches a dangerous temperature, please park the vehicle in line with local laws and regulations, and wait for the coolant temperature to drop.

Please replenish coolant to its proper level after the cooling system has totally cooled.

Under normal riding conditions, if the coolant reaches a dangerous temperature, please timely contact an authorized CFMOTO service center.



OPERATING YOUR VEHICLE



Gear Change Reminder

You can enable the Gear Change Reminder in the menu. It will remind you to change gear when the engine speed reaches the recommended gear-shifting range.

Gear Display

Current gear is displayed here.
The neutral gear is green.

OPERATING YOUR VEHICLE



Optional Info 2

You can select a message from the menu to be displayed here or on the main interface.

Press ▼ to choose Optional Info 2.

Optional Info 2: Mileage, Voltage, Instant fuel economy, Trip 1 riding time, Trip 2 riding time, Total Riding Time, Trip 1 average fuel economy, Trip 2 average fuel economy and Total fuel economy, Trip 1 average speed, Trip 2 average speed, total average speed.

Remaining Fuel

Remaining fuel is displayed with bars. Fewer bars light up as the fuel level decreases. When the fuel symbol turns yellow, remaining fuel is low.

When remaining fuel is low, please replenish the fuel as soon as possible. Insufficient fuel may cause damage to the fuel pump.

OPERATING YOUR VEHICLE

Speed

Current speed is displayed here.

Metric km/h and imperial mph can be switched through the menu.


Clock

Current time is displayed here.

Set the current time through the menu.

Switch between a 12-hour clock and a 24-hour clock through the menu.

Caller Identification

When the instrument is connected to the phone through Bluetooth and receives a call, the incoming call will be displayed in this area. Press the ENT button on the left handlebar to answer the call, and press the button  on the left handlebar to end the call.

Bluetooth

Bluetooth is used to connect mobile phones and helmets.

When your mobile phone is connected to the motorcycle's instrument through Bluetooth, this area will display the Bluetooth logo, the signal strength and the remaining power of the mobile phone.

Functions of navigation, music and calling can only be used when the phone is properly connected to the motorcycle.



OPERATING YOUR VEHICLE



Side Stand Indicator

When the side stand is used, its indicator light is on. At this time, the motorcycle cannot be started in gear.

Stop Indicator Light

When the stop indicator light is on, the stop switch is turned off and the vehicle is off.

Engine RPM

Unit of engine speed is 1000 revolutions per minute. During the break-in period, avoid high engine RPMs. Avoid engine speeds approaching the red zone at all times as much as possible, which will damage engine life. Also avoid high engine speeds until the engine has heated up.

OPERATING YOUR VEHICLE

Instrument Menu

Adjust instrument settings through the instrument menu to optimize the riding experience.

Press the menu button on the left handlebar switch to enter the instrument menu.

WARNING

The menu mode is only allowed when the motorcycle is parked and safe.

The menu button is on the left handlebar switch and is used to operate relevant functions of the instrument.



OPERATING YOUR VEHICLE

For Main Interface: press it to switch to Optional Info 1 and long press it to reset both trips.

For Menu: press it to select the prior choice of the first-level, the second-level or lower-level menu.

For Calling: press it to increase the volume.

For Music: on the main interface, long press it to select the prior song, and press it to increase the volume. On the Menu interface, long press it to select the prior song, and press it to increase the volume.

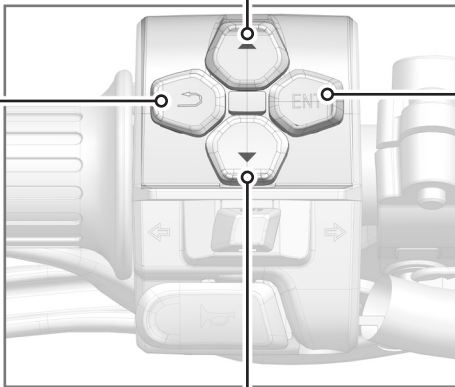
For Menu: press it to return to the prior menu.

For Main Interface: press it to erase the default pop-up window.

For Calling: press it to hang up the phone.

For Screen Projection: press it to return to the projection interface.

For Music: press it to return to the main interface.



For Main Interface: press it to enter the menu. Long press it to play music (when Bluetooth is connected but music is not played).

For Menu: press it to enter the next menu or to confirm your choice.

For Calling: press it to answer the call.

For Music: on the main interface, press it to enter the menu, and long press it to pause or play. On the Menu interface, press it to pause or play.

For Main Interface: press it to select Optional Info 2.

For Menu: press it to select the first-level menu, second or lower-level menu.

For Calling: press it to decrease the volume.

For Music: on the main interface, long press it to select the next song, and press it to decrease the volume. On the Menu interface, long press it to select the next song, or press it to decrease the volume.

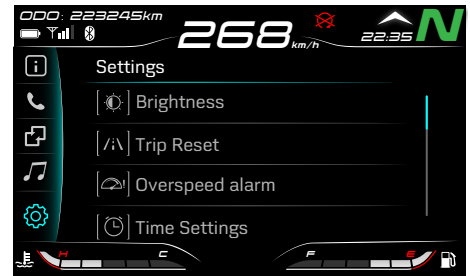
Note: The priority of buttons is calling, music and then others.

OPERATING YOUR VEHICLE

Instrument Settings

In the instrument settings, riders can adjust and set the following contents:

Subject Style Units Equipment Connection Optional Info
Brightness Control TRIP Reset Overspeed Alarm
Time Settings Gear Change Reminder Language
Reset All



OPERATING YOUR VEHICLE

Subject Style

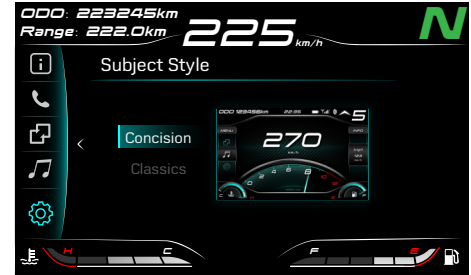
The main interface of the instrument is equipped with multiple sets of subject styles, and you can choose your favorite one in the menu.

Press ENT to enter the Menu interface.

Press Δ or ∇ to select Settings, and press ENT to enter the Settings interface.

Press Δ or ∇ to select **Subject Style**, and press ENT to enter.

Press Δ or ∇ to select your favorite style, and press ENT to confirm your selection.



OPERATING YOUR VEHICLE

Units

Change units of speed, time and temperature to suit your preference.

Press ENT to enter the Menu interface.

Press Δ or ∇ to select Settings, and press ENT to enter the Settings interface.

Press Δ or ∇ to select **Units**, and press ENT to enter.

Press Δ or ∇ to select the unit you need to switch (**Speed/ Time Format /Temperature**), and press ENT to enter.

Press Δ or ∇ to select the unit, and press ENT to confirm your selection.

km/h mph

24-hour 12-hour

°C °F



OPERATING YOUR VEHICLE

Connection

Navigation, telephone calls and music functions can be used after the helmet is connected to the instrument via Bluetooth.

Press ENT to enter the Menu interface.

Press \triangle or ∇ to select Settings, and press ENT to enter the Settings interface.

Follow these steps to connect your phone Bluetooth:

Press \triangle or ∇ to select **Connection**, and press ENT to enter.

Press \triangle or ∇ to select **Mobile Device**, and press ENT to enter.

Ensure that the Bluetooth of the mobile phone to be connected is turned on.

Press \triangle or ∇ to select your phone, and press ENT to connect.

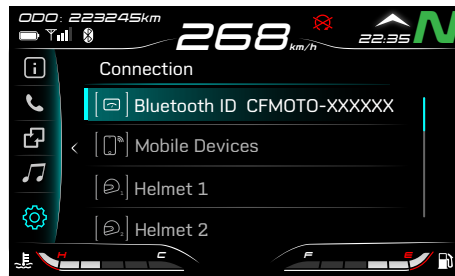
If the mobile phone was connected, press \triangle or ∇ to select the **Mobile Device**, press ENT to enter the interface, and choose the correct Bluetooth ID to connect.

Follow these steps to connect the helmet Bluetooth:

Press \triangle or ∇ to select Equipment Connection, and press ENT to enter.

Press \triangle or ∇ to select **Helmet 1** or **Helmet 2**, and press ENT to connect.

Ensure that the Bluetooth of the helmet to be connected is turned on.



OPERATING YOUR VEHICLE

Optional Info

You can select one message from Optional Info 1 and Optional Info 2 to display on the main interface.

Press ENT to enter the Menu interface.

Press Δ or ∇ to select Settings, and press ENT to enter the Settings interface.

Press Δ or ∇ to select **Optional Info**, and press ENT to enter.

Press Δ or ∇ to select **Optional Info 1** or **Optional Info 2**, and press ENT to enter.

Press Δ or ∇ to select the information you want to display on the main interface, and press ENT to confirm your selection.

Optional Info 1: **TRIP 1, TRIP 2, ODO.**

Optional Info 2: **Mileage, Voltage, Instant fuel economy, Trip 1 riding time, Trip 2 riding time, Total Riding Time, Trip 1 average fuel economy, Trip 2 average fuel economy and Total fuel economy, Trip 1 average speed, Trip 2 average speed, total average speed.**



OPERATING YOUR VEHICLE

Brightness

You can manually adjust the brightness of the instrument, or turn on the automatic brightness control function (Photosensitive switch sensor automatically adjusts the instrument's brightness according to the ambient light.)

Press ENT to enter the Menu interface.

Press Δ or ∇ to select Settings, and press ENT to enter the Settings interface.

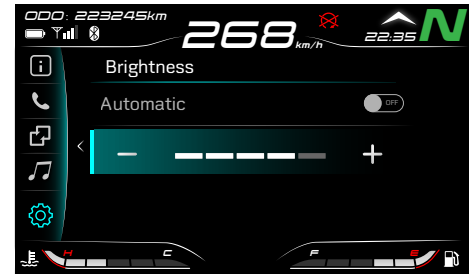
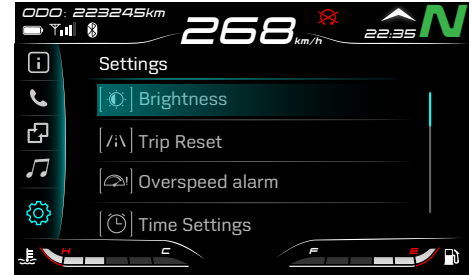
Press Δ or ∇ to select **Brightness**, and press ENT to enter.

Press ENT to turn on or turn off automatic brightness adjustment.

After turning off the automatic brightness adjustment, the brightness can be adjusted manually.

Press Δ or ∇ to adjust the brightness.

Press \curvearrowright to return to the previous interface.



OPERATING YOUR VEHICLE

TRIP Reset

You can manually reset and clear trip-related data.

Press ENT to enter the Menu interface.

Long press Δ or ∇ to select Settings, and press ENT to enter the Settings interface.

Press Δ or ∇ to select TRIP Reset, and press ENT to enter.

Press Δ or ∇ to reset **TRIP 1** or **TRIP 2**, and press ENT to reset.



OPERATING YOUR VEHICLE

Overspeed Alarm

Overspeed Alarm alerts you to speeding when the indicator shows that your vehicle's actual speed exceeds the one you set. Riders should not exceed the speed limit of a road at any time.

DANGER

Speeding increases the risk of losing control of the vehicle, thus leading to accidents. Choose your riding speed based on vehicle load, terrain, visibility, riding conditions, and local laws and regulations, and never exceed the maximum speed.

Press ENT to enter the Menu interface.

Press Δ or ∇ to select Settings, and press ENT to enter the Settings interface.

Press Δ or ∇ to mark **Overspeed Alarm**, and press ENT to enter.

Press ENT to turn on or turn off the alarm function.

The alarmed speed can be set after turning on the **Overspeed Alarm**.

Press Δ or ∇ to adjust the alarmed speed (1 km/h per gear).

Press  to return to the previous interface.



OPERATING YOUR VEHICLE

Time Settings

You can adjust the time displayed on the main interface.

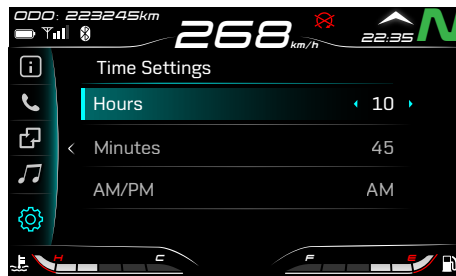
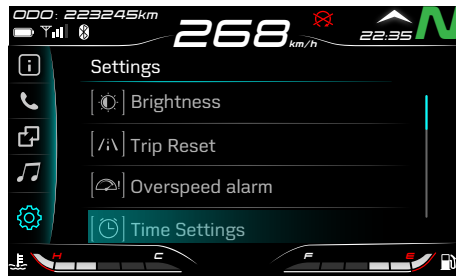
Press ENT to enter the Menu interface.

Press Δ or ∇ to select Settings, and press ENT to enter the Settings interface.

Press Δ or ∇ to select **Time Settings** and press ENT to enter.

Press Δ or ∇ to select **Hours or Minutes and AM/PM** (when the 12-hour clock is set), and press ENT to enter.

Press Δ or ∇ to adjust the time and time period, and press ENT to confirm your selection.



OPERATING YOUR VEHICLE

Gear Change Reminder

Shifting at the right RPM can effectively reduce shifting pauses, protect the clutch and so on. Setting the appropriate Gear Change Reminder also can familiarize you with the vehicle.

The recommended upshifting speed is 6500 RPM.

Press ENT to enter the Menu interface.

Press Δ or ∇ to select Settings, and press ENT to enter the Settings interface.

Press Δ or ∇ to select the **Gear Change Reminder**, and press ENT to enter.

Press ENT to turn on or turn off the Gear Change Reminder.

Reminded speed can be set after turning on Gear Change Reminder.

Press Δ or ∇ to adjust the upshifting RPM (100 RPM for each gear).

Press \curvearrowright to return to the previous interface.



OPERATING YOUR VEHICLE

Language

You can adjust the instrument's language to suit your preference.
Press ENT to enter the Menu interface.

Press Δ or ∇ to select Settings, and press ENT to enter the Settings interface.

Press Δ or ∇ to select **Language**, and press ENT to enter.

Press Δ or ∇ to select **Chinese, English or Espanol**, and press ENT to confirm.



OPERATING YOUR VEHICLE

Reset All

You can reset all instrument settings.

NOTE: This function does not reset ODO or related functions.

Press ENT to enter the Menu interface.

Press \triangle or ∇ key to select Settings, and press ENT to enter the Settings interface.

Press \triangle or ∇ to **reset settings to their factory state**, and press ENT to enter.

Press \triangle or ∇ to select **no/yes**, and press ENT to confirm your selection.



OPERATING YOUR VEHICLE

Vehicle Information

On the Vehicle Information interface, you can inspect the following contents:

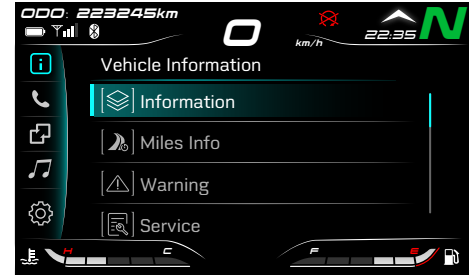
Information

Miles Info

Warning

Service

Version



OPERATING YOUR VEHICLE

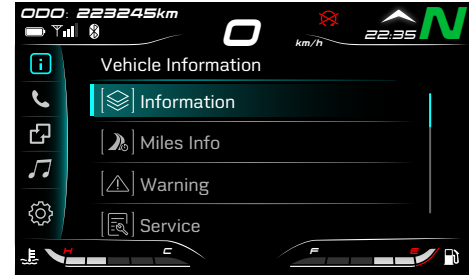
Information

On the Information interface, you can view the coolant temperature, battery voltage and distance before refueling.

Press ENT to enter the Menu interface.

Press Δ or ∇ to select the Vehicle Information, and press ENT to enter the Vehicle Information interface.

Press Δ or ∇ to select **Information**, and press ENT to enter.



OPERATING YOUR VEHICLE

Miles Info

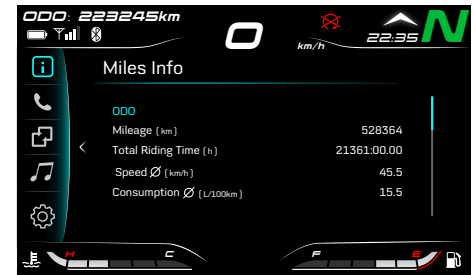
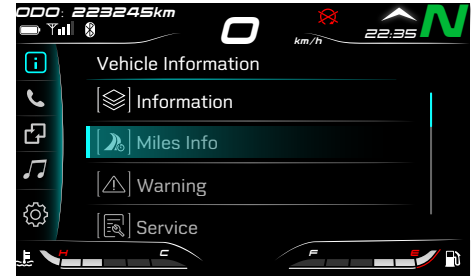
ODO, TRIP 1, TRIP 2, average speed, fuel consumption, driving time can be inspected here.

Press ENT to enter the Menu interface.

Long press \triangle or ∇ to select Vehicle Information, and press ENT to enter the Vehicle Information interface.

Press \triangle or ∇ to select **Miles Info**, and press ENT to enter.

Press \triangle or ∇ to switch ODO-related information or **TRIP 1**- and **TRIP 2**-related information.



OPERATING YOUR VEHICLE

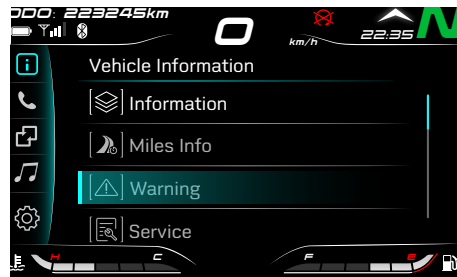
Warning

On the Warning interface, you can view faults or fault warnings when the vehicle system detects a fault. When a fault occurs, please remove it as soon as possible, and contact a service center authorized by CFMOTO if necessary.

Press ENT to enter the Menu interface.

Press Δ or ∇ to select Vehicle Information, and press ENT to enter the Vehicle Information interface.

Press Δ or ∇ to select **Warning**, and press ENT to enter.



OPERATING YOUR VEHICLE

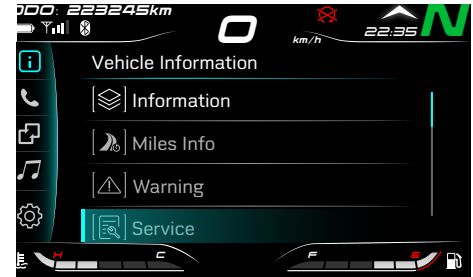
Service

On the Service interface, you can view the service information of the vehicle. When the service mileage is reached, the vehicle will remind you to carry out service.

Press ENT to enter the Menu interface.

Press \triangle or ∇ to select Vehicle Information, and press ENT to enter the Vehicle Information interface.

Press \triangle or ∇ to select **Service**, and press ENT to enter.

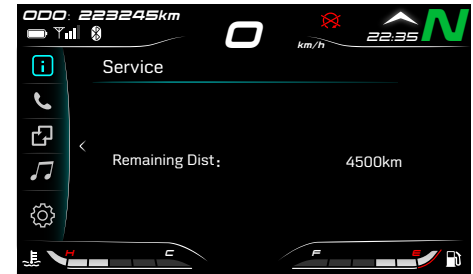


Reset Service Reminder

On the Service interface, press ENT for 10 seconds, and then a notice for confirmation will pop up.

Confirm your choice and the reset will be finished.

Or you can ask an authorized CFMOTO dealership to reset the service interval after servicing the vehicle.



OPERATING YOUR VEHICLE

Version

Software and hardware versions of the instrument are displayed here.

Press ENT to enter the Menu interface.

Press Δ or ∇ to select Vehicle Information, and press ENT to enter the Vehicle Information interface.

Press Δ or ∇ to select **Version**, and press ENT to enter.



OPERATING YOUR VEHICLE

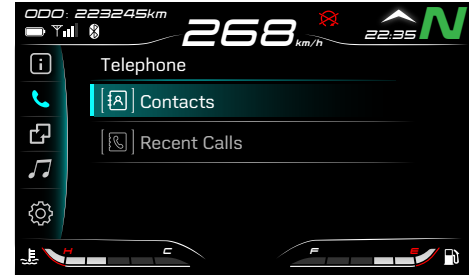
Telephone

On the Telephone interface, you can check the following contents:

Contacts

Recent Calls

NOTE: Before using the telephone, the equipment must be correctly connected, and the phone helmet should be connected to the instrument.



OPERATING YOUR VEHICLE

Contacts

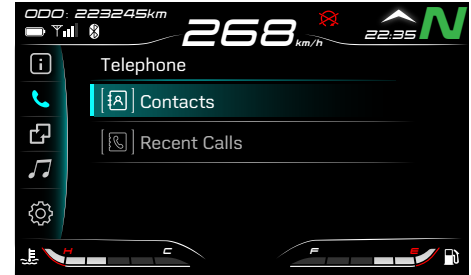
On the Contacts interface, you can view the contacts recorded by their Bluetooth-connected mobile phones and dial the numbers.

Press ENT to enter the Menu interface.

Press Δ or ∇ to select Telephone, and press ENT to enter the Telephone interface.

Press Δ or ∇ to select **Contacts**, and press ENT to enter.

Press Δ or ∇ to select the number, and press ENT to dial the number.



OPERATING YOUR VEHICLE

Recent Calls

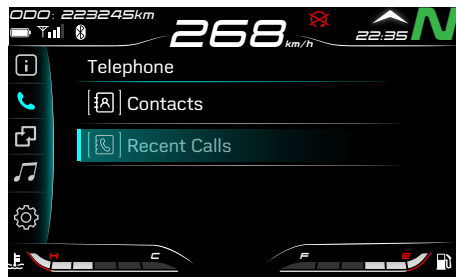
On the Recent Calls interface, you can view recent calls recorded by the Bluetooth-connected mobile phone and dial the numbers.

Press ENT to enter the Menu interface.

Press Δ or ∇ to select Telephone, and press ENT to enter the Telephone interface.

Press Δ or ∇ to select **Recent Calls**, and press ENT to enter.

Press Δ or ∇ to select the number in the latest calls, and press ENT to dial the number.



OPERATING YOUR VEHICLE

Telephone Interconnect (If Equipped)

The Telephone Interconnect interface allows you to use the projection screen function after it is connected.

The vehicle owner has two options through the MOTOPLAY app to achieve this function:

1. The Easy Connection
2. Scan the QR Code

Option 1:

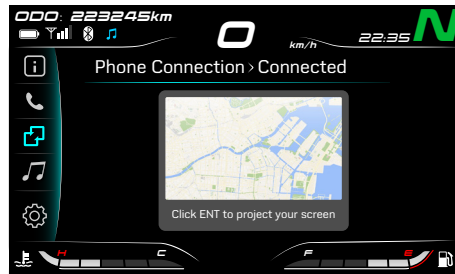
The vehicle owner opens the MOTOPLAY app and selects the Easy Connection to enter the projection interface.

Option 2:

Press ENT to enter the Menu interface.

Press Δ or ∇ to select Telephone Interconnect, and press ENT to enter.

The vehicle owner opens the MOTOPLAY app and selects Scan the QR Code to enter the projection interface.



OPERATING YOUR VEHICLE

In the interconnected condition, navigation data can be projected to the Telephone Interconnect interface.

When in the projection interface, press 'return' to return to the navigation map. Without input, it will automatically return to the main interface after 30 seconds. Press 'return' again to return to the menu. Conversely, press ENT twice to return to the projection interface.

When users close the CFMOTO PLAY app or the Internet is disconnected, the interface on the instrument will return to the main interface.

OPERATING YOUR VEHICLE

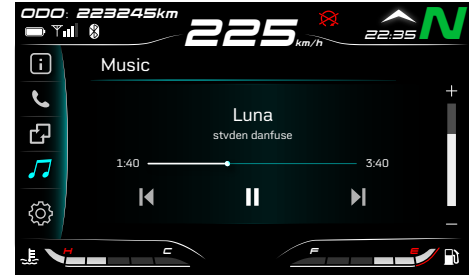
Music

On the Music interface, you can play songs on the phone through Bluetooth, and through the instrument you can switch songs, pause music, adjust volume and use other functions.

Press ENT to enter the Menu interface.

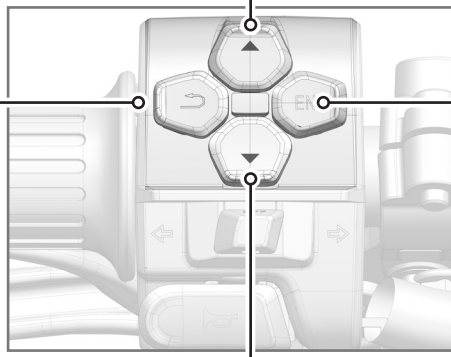
Long press \triangle or ∇ to select Music, and press ENT to enter the Music interface.

Play songs on your phone.



For Music: on the main interface, long press it to switch to the previous song or press it to increase the volume; on the Menu interface, long press it to switch to the previous song or press it to increase the volume.

For Music: return to the main interface.



For Music: on the main interface, press it to enter the Menu, and long press it to pause or play; on the Menu interface, press it to pause or play.

For Music: on the main interface, long press it to switch the next song or press it to decrease the volume; on the Menu interface, long press it to switch to the next song or press it to decrease the volume.

OPERATING YOUR VEHICLE

Break-In Period

The break-in period for this vehicle is the first 600 miles (1000 km). Maintain the vehicle according to the break-in period requirements.

The following items should be observed during break-in period:

1. Do not run high engine speeds immediately after the engine starts. Allow the engine to warm for 2 ~ 3 minutes at idle speed and let oil flow into all the engine lubricating parts.
2. Do not run the engine at high RPM when the transmission is in neutral.
3. During the break-in period, CFMOTO suggests the top engine speeds as below:

Total odometer	Top engine RPM
0 ~ 300 miles (0 ~ 500 km)	4000 r/min
300 ~ 600 miles (500 ~ 1000 km)	6000 r/min

DANGER

New tires can be slippery. Unsafe riders may lose control and cause damage. Tire pressures should be at the specified value during the break-in period. Avoid sudden, maximum braking/acceleration and hard cornering during the break-in period.

OPERATING YOUR VEHICLE

Daily Safety Inspection

Checking the following items before daily riding will help keep your vehicle in safe and reliable condition. If anything appears unusual, please refer to the Maintenance and Adjustment section or contact your dealer. Do not operate the vehicle in an abnormal condition, as it may lead to serious damage or accidents.

Item	Content
Coolant	Inspect the coolant level for correct level in the coolant reservoir.
Engine oil	Inspect the oil level is at the correct level.
Rear brake fluid reservoir	Inspect the rear brake fluid reservoir is at the correct level.
Rear wheel	Inspect the rear wheel and tire for excessive wear, cracks or cuts, embedded items or other damage. Inspect the rear tire pressure is in the standard range.
Rear brake	Inspect the thickness of rear brake pad. Inspect the thickness of rear brake disc and check for any dirt or damage.
Chain and Sprockets	Inspect the drive chain and sprockets for dirt and wear, and inspect if the chain tightness is appropriate.
Front wheel	Inspect the front wheel and tire for excessive wear, cracks or cuts, embedded items or other damage. Inspect front tire pressure is in the standard range.
Front brake	Inspect the thickness of front brake pad. Inspect the thickness of front brake disc and check for any dirt or damage.
Front brake fluid reservoir	Inspect the front brake fluid reservoir is at the correct level.
Luggage/Cargo (if equipped)	Inspect the luggage/cargo is fastened securely, make sure the luggage/cargo height is within the requirement of local regulation.

OPERATING YOUR VEHICLE

Dashboard	Check the fault indicator.
Fuel Level	Check if the fuel tank volume is sufficient.
Rearview Mirrors	Check rearview mirrors for appropriate view angle.
Light	Check if all the lights work well, and if the beam height for front lights meets the local regulations.
Operating parts	Inspect the handlebar, steering, front and rear brake, throttle and switches for smooth operation.
Side stand	Check if any looseness or damage for the return spring of side stand.
Stop switch	Check that the stop switch works correctly.

DANGER

Inspect the vehicle every time before riding the vehicle.

The operator must have the related driver's license to ride the vehicle.

Learn the local regulations, and do not ride in the areas where motorcycles are not allowed.

Do not start the vehicle in a closed area or an area without a good ventilation system. The exhaust generated during engine operation may cause people to lose consciousness or even cause death.

OPERATING YOUR VEHICLE

Starting

Sit on the vehicle with side stand up.

Turn on the ignition switch.

Place the transmission in Neutral.

Turn the stop switch to position “”.

Press the start button.

CAUTION

Running an engine at high RPMs in cold temperatures negatively impacts the lifespan of the engine. Always warm the engine at a low speed.

Before the instrument self-inspection, do not start the vehicle with the start switch.

Pull the clutch lever and shift into a gear with side stand up, the vehicle can be started.

When the transmission is in Neutral position with side stand up, the vehicle can be started.

If shifting into gear with the side stand down, the engine will turn off.

Do not press the start switch for more than five (5) seconds. Please wait for more than 15 seconds to press the start switch again, or it will cause the battery to discharge quickly.

It is recommended that the vehicle should not idle for a long time. Idling for 30 minutes or more will cause the battery temperature to be too high, which affects battery life.

OPERATING YOUR VEHICLE

Starting Off

Pull in the clutch lever, shift the gearshift lever downward for gear 1, then slowly release the clutch lever while at the same time applying gentle throttle input.

Shifting, Riding

Pull in the clutch lever and release the throttle.

Shift the gearshift lever upward for gears 2,3,4,5,6 (as required).

Release the clutch lever and slowly apply the throttle at the same time to complete the gear shift.

Hold the handle bar at all times with both hands when driving with the throttle applied.

WARNING

Avoid any abrupt load alterations or strong brake operation, which can cause an out of control vehicle.

Adjust the speed according to road conditions and situation around you.

When the engine RPM is high, do not shift into lower gears. Release the throttle first and reduce the engine speed.

All adjustments for vehicle operation should be made when vehicle is at a standstill.

The passenger must be seated properly on the passenger seat with feet on the rear foot pegs, wearing a helmet and other safety protection, and holding onto the operator or grab handle.

OPERATING YOUR VEHICLE

WARNING

Comply with the local traffic regulations for minimum passenger age.

Comply with all local traffic regulations. Ride defensively and foresightedly to detect sources of danger early on.

When the tires are cold, their road grip performance is reduced. Use caution and drive with average speed for several kilometers until the tires arrive at their available temperature.

Do not exceed the permitted full payload. Full payload includes the vehicle weight with full fuel tank, driver, passenger and luggage/cargo.

Luggage/cargo sliding will effect the handling performance, inspect that it is fixed tightly on the vehicle, and that the width does not exceed 0.15m from the handle bar for both left and right sides.

In the event of an accident, the damage from crashing could be more serious than it looks. Inspect the vehicle completely to make sure it is safe, or take the vehicle to a CFMOTO dealer for inspection.

Improper gear shifting may lead to damage of the transmission.

Operate the throttle according to the road conditions and climate. Do not shift gears and be careful operating the throttle during turning.

OPERATING YOUR VEHICLE

Brake

Release the throttle when applying the brake, and use front and rear wheel brake for braking at the same time.

Finish braking before turning, and shift to a lower gear according to the speed required.

On long distance downhills, use the engine to compression brake and shift to lower gears, but do not allow the engine to operate with high RPM. When using engine brake effect, it helps to reduce the braking force required of the brake system, and reduce the chance of overheat.

WARNING

Moisture and dirt impair the brake system. Brake carefully several times to dry out moisture and remove dirt from the brake pads and discs.

If the hand brake lever and foot brake lever feel soft, stop riding until the brake system is fully inspected and the fault eliminated.

Take your foot off the foot brake lever when you are not braking. Long-time pressing of the foot brake will cause brake lining overheating and excessive friction, which will affect service life and safety.

When carrying a passenger or luggage/cargo, the required braking distance will increase. Please adjust the brake time according to vehicle load.

When the ABS is enabled, you can achieve maximum braking power even on low grip surfaces such as sandy, wet or slippery terrain without locking of the wheels.

OPERATING YOUR VEHICLE

Parking

Stop the vehicle with brake.

Shift the transmission to Neutral.

Turn off the ignition switch.

Park the vehicle on firm, level ground.

Use a side stand to support the vehicle.

Turn the handlebar to the maximum left angle, and lock the handle bar with the key.

Remove the key.

WARNING

When engine is running, do not leave the vehicle unattended.

Secure the vehicle against use by unauthorized persons.

Lock the steering when leaving the vehicle unattended.

After running the vehicle, the temperature will be very high for some parts. Do not touch any parts such as the exhaust system, cooling system, engine, or brake system before the vehicle parts have cooled down.

Do not park the vehicle near materials that are highly flammable or explosive. High temperature parts may ignite the materials.

Using incorrect procedures when parking may cause vehicle to roll away and fall over, which will lead to significant damage.

SAFETY OPERATION

Safe Riding Technique

The following cautions are applicable for daily motorcycle use and should be carefully observed for safe and effective vehicle operation:

- For safety, eye protection and a helmet are strongly recommended. You must be aware of safety regulations prior to riding the motorcycle. Gloves and suitable footwear should also be used for added protection.
- Wear protective apparel when riding in case of any collision. Protective apparel cannot protect the body safely if it is not worn.
- Before changing lanes, look over your shoulder to make sure the way is safe. Do not rely solely on the rearview mirrors. You may misjudge a vehicle's distance and speed, which can easily cause an accident.
- When going up steep slopes, shift to a lower gear so there's plenty of power and engine torque rather than overloading the engine.
- When applying the brakes, apply both the front and rear brakes at the same time. Applying only one brake for sudden braking may cause the motorcycle to skid and lose control.
- When going down long downhill slopes, control vehicle speed by releasing the throttle. Use the front and rear brakes for auxiliary braking.
- In wet conditions, rely more on the throttle to control vehicle speed and less on the front and rear brakes. The throttle should also be used judiciously to avoid skidding the rear wheel during rapid acceleration or deceleration.

SAFETY OPERATION

- Riding at the proper speed and avoiding unnecessary acceleration are important not only for safety and low fuel consumption, but also for longer vehicle life and quieter operation.
- When riding in wet conditions or on loose roadway surfaces, vehicle performance will be reduced. All of your actions should be smooth under these conditions. Sudden acceleration, braking or turning may cause loss of control.
- Practice your operating skills. In an empty area, exercise cautiously, slow down, and grip the fuel tank with the knees for better stability. When quick acceleration is necessary as in passing, shift to a lower gear to obtain the necessary power.
- Do not downshift at high RPM to avoid damage to the engine.
- Avoid unnecessary use of fabric tape which may entangle the rider or motorcycle.

SAFETY OPERATION

Additional Cautions for High Speed Operation

Brakes: Braking is very important, especially during high speed operation. It cannot be over-forced. Check and replace pads more often to get better performance.

Handling: Looseness in the handling parts may cause loss of control. Check to see whether the handlebar turns freely but has no shaking, and that the wheels turn without shaking or looseness.

Tires: High speed operation requires that tires be in good condition. Good condition tires are crucial for riding safety. Inspect their overall condition, inflate them to the proper pressure, and check the wheel balance.

Fuel: Have sufficient fuel onboard for high speed operation.

Engine oil: To avoid engine failure which could result in a loss of control, make sure the oil level is maintained between the upper and lower level lines.

Coolant: To avoid overheating, check and make sure that the coolant level is between the level lines.

Electrical Equipment: Make sure that the headlights, tail/brake light, turn signals, horn, etc., work properly.

Fasteners: Make sure that all nuts and bolts are tight and that all safety-related parts are in good condition.

DANGER

Follow all traffic regulations. Do not ride on the highway over posted speed limits. Riding at too high speed on the highway will violate related regulations. Motorcycles may be forbidden to operate on the highway in some areas.

MAINTENANCE

Careful periodic maintenance will help keep your vehicle in the safest, most reliable condition. Inspection, adjustment, and lubrication of important components are explained in the maintenance schedule.

Inspect, clean, lubricate, adjust, and replace parts as necessary. When inspection reveals the need for replacement parts, always use genuine parts available from your dealer.

NOTE:

Periodic service and adjustments are critical. If you are not familiar with performing safe service and adjustment procedures, have a qualified dealer perform the required maintenance for you.

Pay special attention to the engine oil level during cold weather operation. A rise in engine oil level can indicate contaminants collecting in the oil sump or crankcase. Change oil immediately if the oil level begins to rise. Monitor the oil level, and if it continues to rise, discontinue use and determine the cause, or see your dealer.

Severe Use Definition

CFMOTO defines severe vehicle use as:

- Racing or race-style high RPM use
- Prolonged low speed, heavy load operation
- Extended engine idle
- Short trip cold weather operation
- Vehicles used in commercial or rental operations

If your vehicle use matches any of these definitions, decrease the service intervals by 50%.

MAINTENANCE

Key Points of Lubrication Schedule

Check all components at the intervals outlined in the Periodic Maintenance Schedule. Items not listed in the schedule should be lubricated at the general lubrication interval.

- Change lubricants more often under severe use, such as wet or dusty conditions.
- Lubricate before long periods of storage, after pressure washing, or after submerging drive system.

Item	Lubricant	Method
Engine oil	SAE 10W-40 JASO MA2	Inspect the level from the engine oil view window.
Brake fluid	DOT3 OR DOT4	Keep level between upper and lower lines

MAINTENANCE

Break-In Maintenance Schedule

Item	Break-In Maintenance Interval (Service whichever interval comes first)			
	Calendar	Miles	Km	Remarks
Engine				
■ Engine oil and oil filter	-	600	1000	Replace
■ Oil strainer	-	600	1000	Clean
Idle	-	600	1000	Inspect
Throttle system	-	600	1000	
Drive chain and sprockets		600	1000	Inspect / Adjust
Electrical system				
■ Functions of electrical parts	-	600	1000	Inspect
Battery	-	600	1000	
Fuses or circuit breakers	-	600	1000	
Brake system				
Brake discs	-	600	1000	Inspect
Brake pads	-	600	1000	
Brake fluid level	-	600	1000	
Brake lever	-	600	1000	Inspect for free play
■ Brake hoses	-	600	1000	Inspect for damage and sealing

► = Severe Use Item. Reduce interval by 50% on vehicles subjected to severe use.

■ = Have an authorized dealer perform repairs that involve this component or system.

MAINTENANCE

Item		Break-In Maintenance Interval (Service whichever interval comes first)			
		Calendar	Miles	Km	Remarks
Wheels					
	Tire condition	-	600	1000	Inspect
	Tire pressure	-	600	1000	
	Wheel bearings	-	600	1000	
Suspension system					
■	Rear shock absorber and front forks	-	600	1000	Inspect for leaking (maintain front forks and rear shock absorber according to the requirement)
Cooling system					
	Coolant level	-	600	1000	Inspect
■	Coolant	-	600	1000	
■	Radiator fan function	-	600	1000	
	Coolant hoses	-	600	1000	
Steering system					
■	Steering bearings	-	600	1000	Inspect

▶ = Severe Use Item. Reduce interval by 50% on vehicles subjected to severe use.

■ = Have an authorized dealer perform repairs that involve this component or system.

MAINTENANCE

Item	Break-In Maintenance Interval (Service whichever interval comes first)				
	Calendar	Miles	Km	Remarks	
Other parts					
■	Diagnostic connector	-	600	1000	Read with PDA
■	Moving parts	-	600	1000	Lubricate. inspect for flexibility
■	Bolts and nuts	-	600	1000	Inspect for fastness
■	Cables and wires	-	600	1000	Inspect for damage, bending and routing

► = Severe Use Item. Reduce interval by 50% on vehicles subjected to severe use.

■ = Have an authorized dealer perform repairs that involve this component or system.

MAINTENANCE

Periodic Maintenance Schedule

Item	Periodic Maintenance Interval (Service whichever interval comes first)				
	Calendar	Miles	Km	Remarks	
Engine					
	Engine oil and oil filter	6M	3000	5000	Replace
	Oil strainer	6M	3000	5000	Clean
■	Clutch	-	3000	5000	Inspect
	Idle	-	6000	10000	
■	Coolant	24M	21000	35000	Replace
	Throttle system	-	3000	5000	Inspect
■	Throttle valve	-	3000	5000	Clean
▶■	Air filter element	-	3000	5000	Clean
		24M	12000	20000	Replace
■	Spark plug	-	3000	5000	Inspect
		-	6000	10000	Replace
■	Valve clearance	-	24000	40000	Inspect

▶ = Severe Use Item. Reduce interval by 50% on vehicles subjected to severe use.

■ = Have an authorized dealer perform repairs that involve this component or system.

MAINTENANCE

Item		Periodic Maintenance Interval (Service whichever interval comes first)			
		Calendar	Miles	Km	Remarks
Electrical system					
■	Functions of electrical parts	12M	6000	10000	Inspect
	Battery	6M	3000	5000	
	Fuses or circuit breakers	6M	3000	5000	
■	Wires	12M	6000	10000	Inspect for damage, bending and routing
Wheels					
	Tire condition	12M	6000	10000	Inspect
		24M	12000	20000	
	Tire pressure	12M	6000	10000	
		24M	12000	20000	
■	Wheel bearings	-	6000	10000	
		-	18000	30000	
■	The needle bearing inside the eccentric hub (Single Swing Arm)	12M	6000	10000	Inspect the clearance between the bearing and mating parts. If is necessary, repair or replace it.
		24M	12000	20000	Clean up the remaining grease on the bearing, re-apply the new grease on the bearing.

► = Severe Use Item. Reduce interval by 50% on vehicles subjected to severe use.

■ = Have an authorized dealer perform repairs that involve this component or system.

MAINTENANCE

Item	Periodic Maintenance Interval (Service whichever interval comes first)					
	Calendar	Miles	Km	Remarks		
Brake system						
	Front and rear brake system	12M	6000	10000	Inspect	
		24M	12000	20000		
	Brake discs	12M	6000	10000		
		24M	12000	20000		
▶	Brake pads	12M	6000	10000		
		24M	12000	20000		
	Brake fluid level	12M	6000	10000		
		-	12000	20000		
	Brake lever	24M	12000	20000		Inspect for free play
		12M	6000	10000		
■	Brake hoses	24M	12000	20000	Inspect for damage and sealing	
		12M	6000	10000		
■	Brake fluid	24M	-	-	Replace	

▶ = Severe Use Item. Reduce interval by 50% on vehicles subjected to severe use.

■ = Have an authorized dealer perform repairs that involve this component or system.

MAINTENANCE

Item		Periodic Maintenance Interval (Service whichever interval comes first)			
		Calendar	Miles	Km	Remarks
Suspension system					
■	Suspension system	-	6000	10000	Inspect
■	Rear shock absorber and front forks	12M	6000	10000	Inspect for leaking (maintain the parts according to the requirement)
		24M	12000	20000	
■	Swing arms	-	6000	10000	Inspect
		-	18000	30000	
Cooling system					
	Coolant level	12M	6000	10000	Inspect
		24M	12000	20000	
■	Coolant	12M	6000	10000	
		24M	12000	20000	
■	Radiator fan function	12M	6000	10000	
		24M	12000	20000	
■	Coolant hoses	12M	6000	10000	
		48M	18000	30000	

▶ = Severe Use Item. Reduce interval by 50% on vehicles subjected to severe use.

■ = Have an authorized dealer perform repairs that involve this component or system.

MAINTENANCE

Item	Periodic Maintenance Interval (Service whichever interval comes first)				
	Calendar	Miles	Km	Remarks	
Frame system					
▶	Frame	-	18000	30000	Inspect
Steering system					
■	Steering bearings	12M	6000	10000	Inspect
		24M	12000	20000	
Chain					
▶	Chain, rear sprocket and engine sprocket	12M	6000	10000	Inspect
		24M	12000	20000	

▶ = Severe Use Item. Reduce interval by 50% on vehicles subjected to severe use.

■ = Have an authorized dealer perform repairs that involve this component or system.

MAINTENANCE

Item		Periodic Maintenance Interval (Service whichever interval comes first)			
		Calendar	Miles	Km	Remarks
Other parts					
■	Diagnosis connector	12M	6000	10000	Read with PDA
		24M	12000	20000	
■	Mobile parts	12M	6000	10000	Lubricate; inspect for flexibility
		48M	18000	30000	
■	Bolts and nuts	12M	6000	10000	Inspect for fastness
		48M	18000	30000	
■	Cables and wires	12M	3000	5000	Inspect for damage, bending and routing
		24M	9000	15000	
■	Pipes, ducts, hoses and sleeves	12M	6000	10000	Inspect for cracks, sealing and routing
		48M	18000	30000	
■	Exhaust gasket	12M	3000	5000	Inspect exhaust connecting parts for leakage, and inspect gasket for damage. Replace it if necessary. After disassembling the muffler, replace gasket.

► = Severe Use Item. Reduce interval by 50% on vehicles subjected to severe use.

■ = Have an authorized dealer perform repairs that involve this component or system.

MAINTENANCE

Clutch Lever Free Play

Check clutch lever smoothness.

Straighten the handlebar.

Slowly pull the clutch lever until resistance is evident. Check clutch lever position where the clearance is for free play.

Free play: 0.39 in. ~ 0.78 in. (10 mm ~ 20 mm)

⚠ WARNING

Inadequate free play for the clutch lever can strain the clutch cable and affect clutch engagement, causing slippage and excessive wear.

Inspect the free play every time before running the engine. Set the free play as stipulated when necessary.

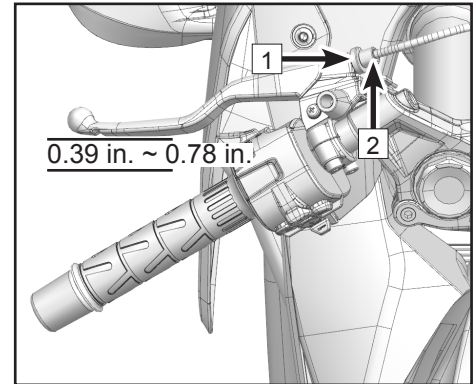
Clutch lever free play fine adjustment

Straighten the handlebar.

Loosen the lock nut **1**.

Rotate the adjusting nut **2** to adjust the free play.

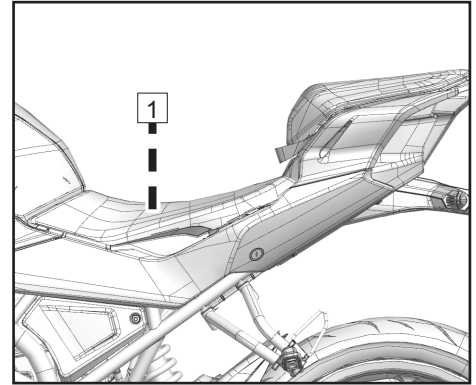
Once the desired free play is achieved, tighten the lock nut **1**.



MAINTENANCE

Tool Kit

Tool kit **1** is located under the seat. The tools supplied with the vehicle are helpful for partial maintenance, disassembling and assembling.



MAINTENANCE

Fuel System

Fuel Tank

Avoid spilling gasoline on the fuel tank when fill with fuel. If a spill occurs, wipe it off immediately to avoid pollution or causing danger.

Fuel tank volume: 3.17 gal (12 L)

DANGER

Gasoline is extremely flammable and can be explosive under certain conditions. Always fill fuel in a properly ventilated area. Before refueling, turn off the engine and wait for the engine and muffler to cool. No smoking or any acts that cause sparks is allowed in the fuel filling area or fuel storage area.

Never fill the tank excessively. Avoid overflowing onto high temperature parts. The fuel level should not exceed the tank opening. As temperature rises, fuel can heat and expand, possibly spilling over and damaging motorcycle parts.

Fuel is toxic and harmful to health. Avoid touching with skin, eyes and clothes. Do not inhale fuel vapor.

If touched skin, wash with plenty of clean water.

If touched to eyes, wash eyes immediately with clean water and see a doctor immediately.

If touched to clothes, change the clothes immediately.

If swallowed fuel by mistake, see a doctor immediately.

After maintenance or other repairing parts of the fuel system, please contact your dealer for a complete inspection to avoid fuel leaks or other dangers.

Dispose of fuel properly to avoid damage to the environment.

MAINTENANCE

Fuel Requirements

This motorcycle is recommended to use only unleaded premium gasoline.

⚠ CAUTION

Do not use leaded gasoline, as it will destroy the catalytic converter. (For further understanding, please refer to more information related to the catalytic converter)

Be sure to use fresh gasoline. Gasoline oxidate, resulting in loss of octane and volatile compounds. It also produces colloidal and lacquer deposits which could damage the fuel system.

Your CFMOTO engine has been designed to use regular unleaded gasoline with a pump octane number ($([R+M]/2)$) of 87 or higher. If knocking or pinging occurs, use a different brand of gasoline or premium unleaded fuel. Unleaded fuel will give you longer spark plug life and reduced maintenance cost.

MAINTENANCE

Engine Assembly

For the engine, transmission, and clutch to work properly, maintain the engine oil between the upper and lower lines on the oil window. During the engine lubrication process, oil not only builds up carbon by-product and metallic impurities, but may also consume itself by a small amount.

Inspect and change the oil in accordance with the Periodic Maintenance Chart.

DANGER

Motorcycle with insufficient, deteriorated or highly contaminated engine oil will cause accelerated wear and may result in engine or transmission seizure, accident, and injury.

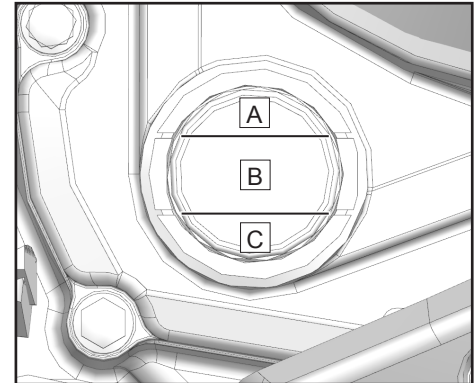
Engine Oil Level Inspection

Make sure the vehicle is turned off.

If the engine had just been running, please wait for 2 to 3 minutes for the oil to settle.

Support the vehicle vertically on a level surface. Then view the oil level inspection window:

- If the oil level is within area B, it is at the proper level.
- If the oil level is located within area A, drain out oil until the level is within area B.
- If the oil level is located within area C, or no oil level is viewed, fill the engine with the recommended oil until the level is within area B.



MAINTENANCE

Change Engine Oil and Oil Filter

Park the vehicle by side stand on level ground.

Idle the engine for several minutes to warm up the oil. Then shut off the engine. Allow 2 to 3 minutes for the oil to settle.

⚠ WARNING

Warming up the engine for a long period may lead to a hot engine and hot engine oil. Please wear suitable protective clothing and safety gloves when changing oil. In the event of scalding, wash the affected area immediately with running water for more than 10 minutes and seek medical attention.

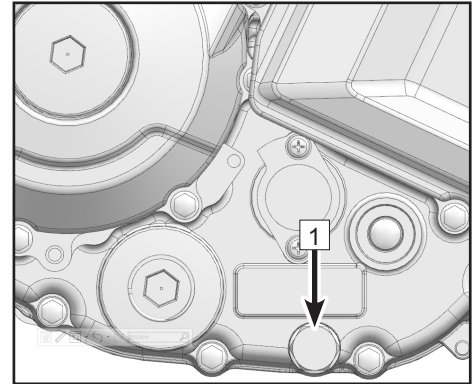
Place an oil pan under the oil drain bolt.

Remove the magnetic oil drain bolt and washer **1**.

Drain out completely the used oil.

⚠ WARNING

Oil is a toxic substance. Dispose of used oil properly.



MAINTENANCE

Remove the oil filter [2].

Apply a small amount of clean oil to the rubber seal ring of the new oil filter.

Install the new oil filter.

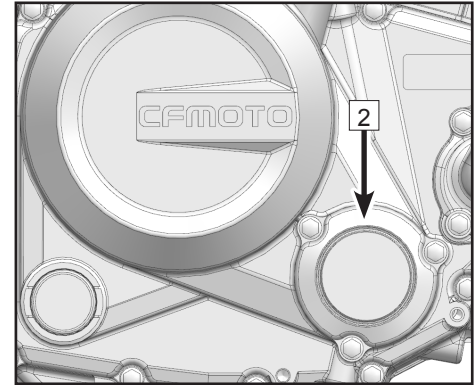
CAUTION

Before mounting the oil filter, applying a thin layer of oil on the seal ring prevents the filter from becoming stuck on the engine case.

Clean the oil drain bolt and the area around the oil drain hole.

Place a new washer on the oil drain bolt, and then reinstall it. Torque the oil drain bolt to specification.

Tightening torque: 18.4 ft-lb (25 N•m)



MAINTENANCE

Remove the oil filling screw plug **3** .

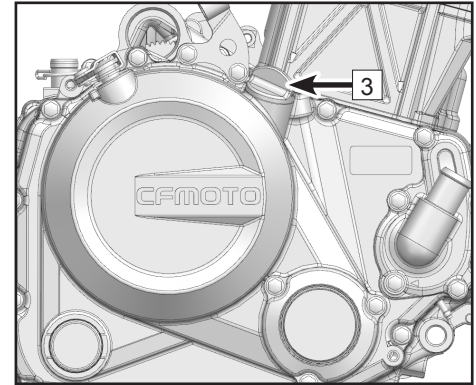
Fill with 1.47 qt (1.4 L) of oil.

Remount the oil filling screw plug.

Start and idle the engine for several minutes, which allows the oil to flow into the oil filter, and check for leaks.

Turn off the engine.

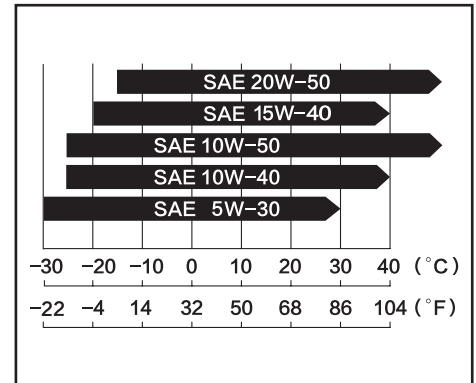
Inspect the oil level and adjust according to the level result.



Engine Oil Capacity

Change with oil filter: 1.47 qt (1.4 L)

Use of any oil other than those recommended may cause serious engine damage. CFMOTO recommends the use of 10W-40 JASO MA2 for 4-stroke engines. Changing engine oil viscosity due to cold environments is acceptable. Reference the chart on the right for ambient temperature and viscosity choice.



MAINTENANCE

Spark Plug

The spark plugs should be replaced in accordance with the Periodic Maintenance Chart.

Spark plug maintenance should only be performed by an authorized dealer.

Spark plug type: CR8EI

Spark plug clearance 1 : 0.028 in ~ 0.035 in (0.7mm~0.9mm)

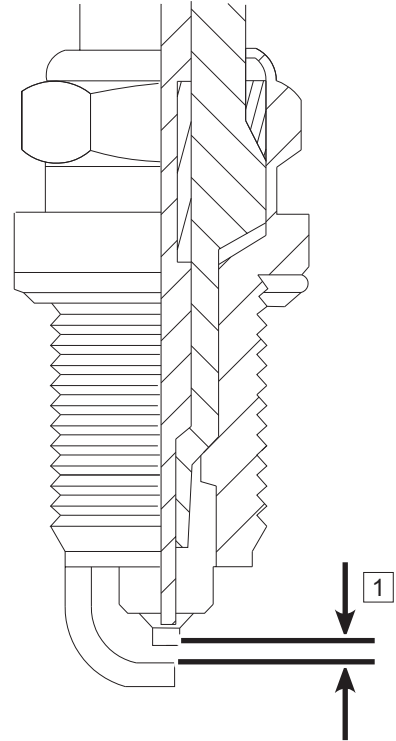
Tightening torque: 11.1 ft-lb (15 N•m)

Idling

Idling speed for this vehicle is adjusted at the factory. Owners should not adjust the idling speed, or it may affect vehicle performance. Please contact your authorized CFMOTO dealer if you need to replace parts or to calibrate the ECU with a diagnosis tool.

⚠ DANGER

Improper adjustment for idling speed may have serious results.

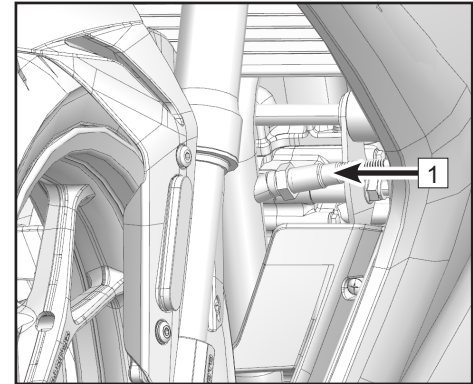


MAINTENANCE

Air Intake and Exhaust System

Fuel and Exhaust Detecting System

Fuel & exhaust system optimization is detected by oxygen sensors **1**. An oxygen sensor installed on each exhaust pipe detects air & fuel combustion condition by measuring oxygen density and transferring it as an electrical signal to the ECU. If the ECU determines that combustion is not optimal, it will make adjustments to fuel injection in accordance with signals from the TPS and Intake Air Temperature sensors. By this way, the ratio of air against fuel can be optimized for complete combustion.



Air Intake Valve

An air intake valve is essentially a valve which allows fresh air to flow only from the air filter into the engine. Any air that passes through the air intake valve is prevented from returning. Have a dealer inspect the air intake valves in accordance with the Periodic Maintenance Chart. Also, have the air intake valves inspected whenever stable idling cannot be obtained, engine power is greatly reduced, or there are abnormal engine noises.

Air intake valve removal and inspection should only be performed by an authorized CFMOTO dealer.

MAINTENANCE

Valve Clearance

The engine valves and valve seats wear during operation. Adjustment of the valvetrain components should be performed by a dealer technician in accordance with the Periodic Maintenance Chart.

WARNING

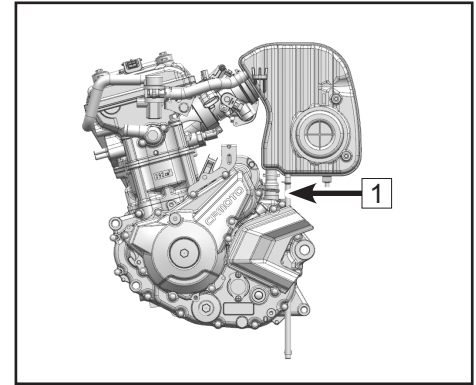
If adjustment of the valve clearance is not performed, it will eventually result in no clearance or cause the valves remaining partly open, which reduces performance, creates valve noise, and can cause serious engine damage. Valve clearance for each valve should be checked and adjusted in accordance with the Periodic Maintenance Chart. Inspection and adjustment should be performed by a CFMOTO dealer.

MAINTENANCE

Air Filter

A clogged air filter restricts air flow, increases fuel consumption, reduces engine power, and causes spark plug fouling. The air filter element must be cleaned in accordance with the Periodic Maintenance Chart. When driving in dusty, rainy, or muddy conditions, the air filter element should be serviced more frequently than the recommended interval in the Periodic Maintenance Chart. Due to the vehicle's design, air filter service should be only performed by an authorized dealer.

Indicator hose **1** alerts you to excessive dirt, residual oil or water in the air filter.



⚠ CAUTION

Oil on tires, plastic or other parts will cause damage.

Intaking unfiltered air will have a negative effect on the service life of the engine.

Never start or use the vehicle without an air filter.

Throttle Body

The throttle limit screw on the throttle body has been precisely set and cannot be adjusted. Inspect the vehicle's idling speed. If it is unstable, please see your authorized CFMOTO dealer for service.

MAINTENANCE

Cooling System

Radiator and Cooling Fan

Check the radiator fins for bending, out of shape, obstruction by insects or mud, and clean off any obstructions with a stream of low pressure water.

WARNING

Keep your hands and clothing away from the fan blades when it is working to avoid any injury.

Using high-pressure water to wash the vehicle could damage the radiator fins and impair the radiator's effectiveness. Installing unauthorized accessories in front of the radiator or behind the cooling fan may cause interference with the radiator airflow, and can lead to overheating and consequent engine damage.

If the radiator fins are damaged by more than 20% of their surface area by obstructions, and it is unable to be cleared, then replace with new radiator.

Radiator Hoses

Check the radiator hoses for leaks, cracks, deterioration, rust, corrosion and connections for leaks or looseness daily before riding the motorcycle. Check in accordance with the Periodic Maintenance Chart.

MAINTENANCE

Coolant

Coolant absorbs excessive heat from the engine and transfers it to the air by the radiator. If the coolant level is low, the engine will overheat and may suffer severe damage. Check the coolant level daily before riding the motorcycle and perform maintenance in accordance with the periodic maintenance chart. Replenish coolant if the level is low.

To protect the cooling system (engine and radiator contain aluminum parts) from rust and corrosion, the use of corrosion and rust inhibitor chemicals in the coolant is essential. Purchase only commercially available coolant that contains corrosion and rust inhibitor chemicals, so there is no need to add separately.

MAINTENANCE

DANGER

Coolant is toxic and harmful for health.

Do not allow the coolant to touch skin, eyes or clothing.

If coolant is swallowed, see a doctor immediately.

If coolant contacts the skin, flush the contact position with plenty of water immediately.

If coolant contacts the eyes, flush the eyes with plenty of water and see a doctor immediately.

If coolant splashes on clothes, change the clothes.

Any corrosion or rust flushed from the engine and radiator should be disposed of following special instructions. The chemicals inside are harmful to the human body.

CAUTION

Do not add tap water to the coolant system. It will cause deposit accumulation inside the cooling system. Use only distilled water and coolant 50% \ 50% mix. When temperatures are below 0°C, improper water/coolant mix can cause freezing, severe interference, and failure of the coolant system.

Available bottled antifreeze on the market contains anti-corrosion and anti-rust properties. When it is diluted excessively, it loses its anti-corrosion and anti-rust performance. Keep the diluted concentration of antifreeze the same as the instructions from the manufacturer.

When filling the cooling system, ensure the coolant color is green and contains ethylene glycol. When the environment temperature is below 32°F (0°C), please ensure the coolant has a freezing point below 32°F (0°C).

MAINTENANCE

Coolant Level Inspection

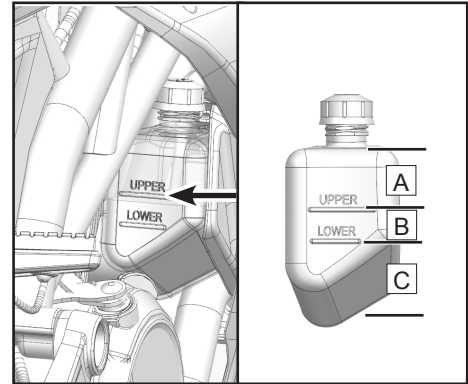
Support the vehicle vertically on a level surface.

Inspect the coolant level in the reservoir.

If it is located within area 'B': the coolant at the proper level.

If the level is within area 'A': drain out the redundant coolant until it is within area 'B'.

If the level is within area 'C' or you cannot see the level: refill with the same coolant until the level is within area 'B'.



WARNING

When the vehicle is running, the coolant will have a very high temperature and stay in a state of compression.

Before the engine or cooling system has cooled down, do not open the radiator, radiator hose, reservoir or other cooling system related parts.

In the event of scalding, wash the affected area immediately with running water for more than 10 minutes and seek medical attention.

MAINTENANCE

Coolant Filling

Open the reservoir cover and add coolant to area B.

 **CAUTION**

If coolant needs to be added frequently, or the reservoir tank is completely dry, there is probably a leak in the system. Have the cooling system inspected by an authorized dealer.

Contact your dealer for replacing coolant. Mixing different coolant may lead to engine damage.

MAINTENANCE

Tires and Chain

This vehicle only uses tubeless tires, rims and inflating valves. Only use the recommended standard tires, rims and inflating valves. Do not install inner tube tires on tubeless rims. Do not install a inner tube inside a tubeless tire. If tires are not installed properly, it may cause tire air leakage.

Tire Specifications

Tire specification	Front wheel	110/70 R17 M/C 54H
	Rear wheel	140/60 R17 M/C 63H
Tire pressure	Front wheel	32.6 psi (225kPa)
	Rear wheel	32.6 psi (225kPa)
Minimum tread depth	Front wheel	0.031 in ~ 0.039 in (0.8 mm ~ 1 mm)
	Rear wheel	0.031 in ~ 0.039 in (0.8 mm ~ 1 mm)

Improper tire pressure or exceeding the tire load limit may affect the vehicle handling and performance, causing a loss of control.

Make periodic inspections of the tire air pressure using a tire pressure gauge. Adjust tire pressure accordingly.

Excessive low tire pressure may cause tire improper wear or overheating.

Proper tire pressure offers the best comfort level and the longest service life.

MAINTENANCE

NOTE:

Inspect the tire pressure when the tires are cold.

Tire pressure is affected by the change of environment temperature and altitude. If the environment temperature and altitude have a big change during the driving trip, tire pressure should be adjusted and inspected accordingly.

Most countries have their own regulation for minimum tread depth. Please follow local regulations. When installing new rims or tires, always inspect for wheel balance.

CAUTION

In order to keep the handling safety and stability, please only use the tire and pressure recommended. If the tire is punctured and repaired or used within 24 hours after repairing, the vehicle speed should not exceed 37 mph (60 km/h) and cannot exceed 55 mph (90 km/h) at any other time. A punctured tire should be repaired as soon as possible.

The front and rear tires should come from the same manufacturer with the same tread pattern.

New tires can be slippery and may cause a loss of control and injury if proper break-in is not performed. Please drive the vehicle at moderate speeds using different tilt angles to have the tires create friction with the ground over the entire surface area. Normal friction surfaces will be formed after a break-in period of 100 miles (160 km). Avoid sudden braking, heavy acceleration, and high-speed sharp turns during the break-in period.

Tire Payload

The maximum recommended payload is: 330.7 lb. (150 kg), including driver, luggage/cargo and accessories.

MAINTENANCE

Tire Friction

When tire tread wear exceeds the use limit, the tire becomes more susceptible to punctures and failure. An accepted estimate is that 90% of all tire failures occur during the last 10% of tread life, so it is unsafe to continue to use tires until they are bald. In accordance with the Periodic Maintenance Chart, measure the depth of the tread with a depth gauge, and replace any tire that has worn down to the minimum allowable tread depth.

Visually inspect the tire tread for cracks and cuts, and replace with a new tire if severely damaged. For example, if partial expansion appears on the tire, it means the tire is severely damaged.

Remove any embedded stones or other foreign particles from the tread.

CAUTION

When the environment temperature is below 14°F (-10°C), it is recommended to place the vehicle indoors if required to store for a long time.

Do not use side stand to park vehicle for long time in winter. Use the middle stand (if equipped) or park stand bracket to park the vehicle, as the tires should not bear the vehicle weight.

Do not allow the tires to sink into snow or ice when parking the vehicle in winter.

When parking vehicle for long time outside in winter, use a ground covering under tires that will insulate and protect them.

MAINTENANCE

Drive Chain Inspection

The drive chain slack and lubrication must be checked daily before riding in accordance with the Periodic Maintenance Chart for safety and preventing excessive wear. If the chain becomes badly worn or maladjusted, it will lead excessive component wear and possible failure.

If the chain is too tight, will accelerate the wear for chain, sprocket, rear sprocket and rear rim. Some parts may crack or break when placed under a load.

If the chain is too loose, The chain may fall off from sprocket or rear sprocket, which may cause locking of rear wheel or engine damage.

The service life of the drive chain largely depends on the maintenance.

Chain dirt inspection

Inspect periodically or inspect the chain for dirt ingress, or after driving in severe conditions.

If the chain is dirty, flush any large dirt particles with a soft jet of water. Clean any residual dirt and residual lubricant with a proper chain cleaner.

Spray the chain with a proper chain lubricant after the chain is dry.

WARNING

When spraying chain lubricant, do not splash the lubricant onto other parts. Lubricant on the tires will decrease the tire grip, and lubricant on the brake discs will decrease the brake performance. Clean these components with a proper cleaner if over-spray occurs.

MAINTENANCE

Chain tension inspection

Place the transmission into Neutral gear.

Park with the side stand on level ground.

Push up the middle of the chain until it stops, and measure the distance of chain movement.

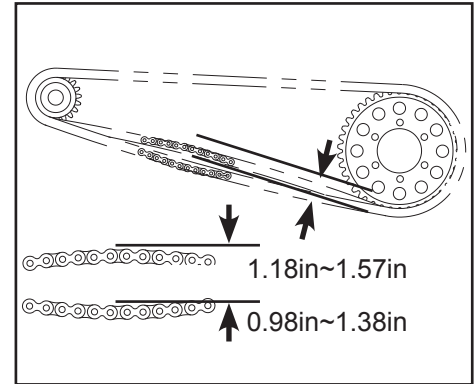
If the chain tension is out of specification, adjust it to the standard.

Standard value of single swing arm : 0.98in ~ 1.38in (25 mm ~ 35 mm)

Standard value of double swing arms : 1.18in ~ 1.57in (30 mm ~ 40 mm)

NOTE:

Rotate the rear wheel to different positions and repeat the measurement before adjusting chain slack.



MAINTENANCE

Chain Tension Adjustment (Double Swing Arms)

Loosen the rear wheel shaft nut **1**.

Loosen the locking nuts **A** for the left and right adjusting bolts.

Screw the left and right adjusting bolts **2** to adjust chain tension.

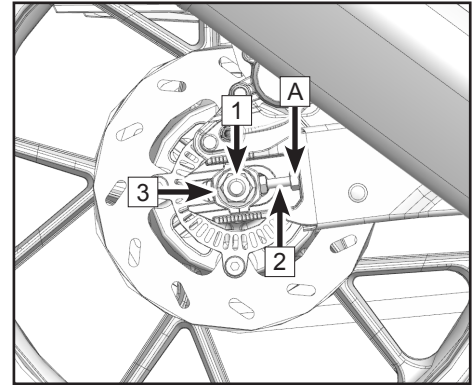
Ensure that the alignment marks on both left and right chain tensioners **3** have the same relative position as the reference marks on the rear fork.

Make sure the chain tensioners firmly touch the adjusting bolts.

Tighten the locking nuts for the left and right adjusting bolts.

Tighten the rear wheel shaft nut.

Rear wheel shaft nut **1 torque: 59 ft-lb ~ 73.7 ft-lb (80 N•m ~ 100 N•m)**



MAINTENANCE

Chain Tension Adjustment (Single Swing Arm)

Loosen the eccentric hub lock bolt **1**.

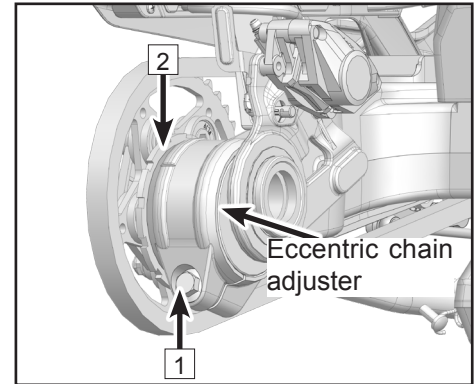
Use chain adjusting tool in tool kit to insert the teeth **2** of eccentric chain adjuster.

Make adjustments from the right side of the vehicle. Rotate the eccentric chain adjuster clockwise to loosen the chain, and rotate it counterclockwise to tighten the chain.

NOTE: If the eccentric chain adjuster cannot be rotated, try to loosen the bolt further. If it still cannot be rotated, please contact a service center authorized by CFMOTO. After adjustment, check whether the eccentric chain adjuster fits with the end face of the rear fork. If there is a gap, gently tap the outer end face of the eccentric chain adjuster with a rubber hammer to make it fit with the end face of the rear fork. Otherwise, it will cause abnormal wear of the brake disc and caliper.

Tighten the eccentric hub lock bolt **1**.

Eccentric hub lock bolt **1 torque: 51.6 ft-lb (70N·m)**



NOTE: For guidance, the parts shown in the picture hide part of the structure. This perspective shows the back of the chain.

MAINTENANCE

Wear inspection

Place the transmission into Neutral gear.

Support the vehicle with side stand.

Apply chain tensioning or hanging a 22 lb. (10 kg) object on the chain.

Measure the length between 20 links for elongation. If the measured length exceeds the standard limit, replace the chain with a new one.

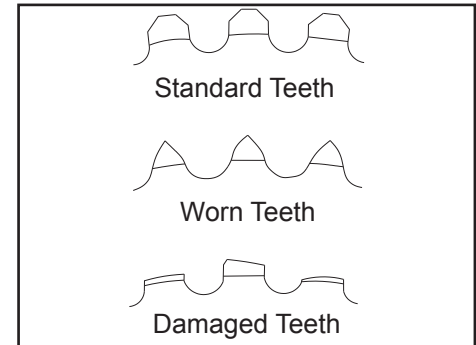
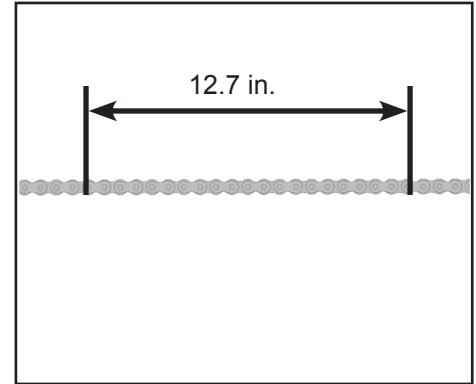
Standard limit: 12.7 in (323 mm)

DANGER

For your safety, please use the standard chain. When chain is elongated, never cut the chain and mount back onto the vehicle. Have it replaced by an authorized CFMOTO dealer.

Inspect the rear sprocket and engine sprocket teeth for any kind of wear.

If the engine sprocket or rear sprocket is worn, then replace the both sprockets as a set.



MAINTENANCE

Brake System

In order to guarantee excellent performance of your vehicle and personal safety, please repair and maintain the vehicle according to the Periodic Maintenance Chart. Make sure all the parts of the brake system are in good state. If any damage occurs to the brake system, have your vehicle inspected by an authorized dealer.

Front Brake Lever Inspection

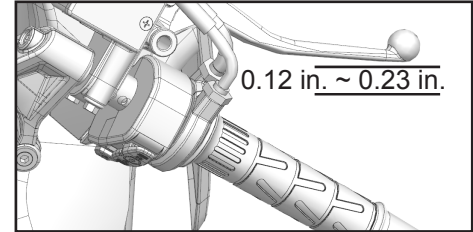
Park with the side stand on level ground.

Grip lightly the front brake lever and inspect its free travel.

Free travel: 0.12 in ~ 0.23 in (3 mm ~ 6 mm)

Inspect the front brake lever for any cracks or abnormal noise.

Replace with new parts if problems are discovered.



Rear Brake Pedal Inspection

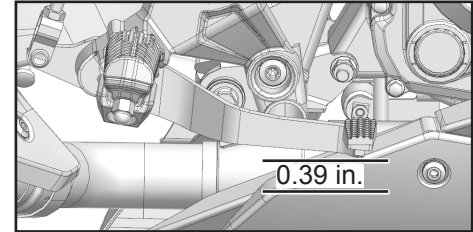
Park with the side stand on level ground.

Lightly apply the rear brake pedal and inspect its free travel.

Free travel: 0.39 in (10 mm)

Inspect the rear brake pedal for any cracks or abnormal noise.

Replace with new parts if problems are discovered.



⚠ WARNING

If the brakes feel soft when applying the brake lever or brake pedal, there may be air in a brake fluid hose or a lack of fluid. If the vehicle has this dangerous condition, do not drive the vehicle. Have the brake system checked immediately by an authorized CFMOTO dealer.

MAINTENANCE

Brake Fluid Level Inspection

Support the vehicle vertically on level ground, and confirm the brake fluid reservoirs are level.

Inspect the front and rear brake reservoir fluid levels.

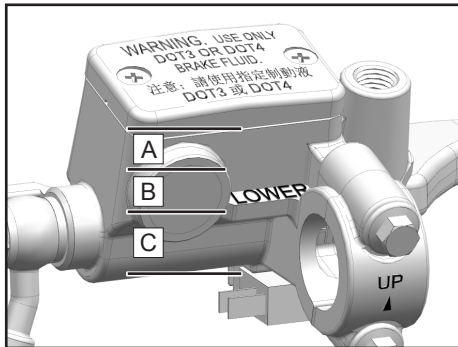
If the brake fluid level is located within area 'B': the fluid is at the proper level.

If the brake fluid level is located within area 'A': drain out the redundant fluid until it is within area 'B'.

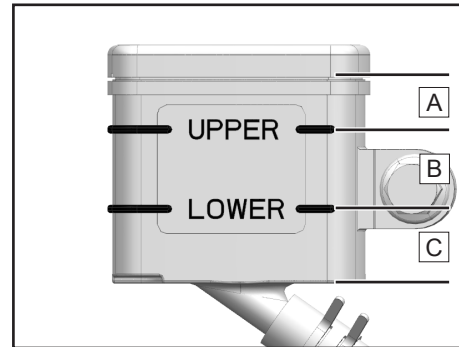
If the brake fluid level is located within area 'C' or you cannot see the level: refill with the same brake fluid until the level is within area 'B.'

WARNING

If the brake fluid level drops to area 'C' frequently, the brake system is leaking, not sealed, or is damaged. Have the brake system checked immediately by an authorized CFMOTO dealer.



Front brake fluid reservoir



Rear brake fluid reservoir

MAINTENANCE

Adding Brake Fluid

WARNING

Brake fluid causes skin irritation. Rinse the affected area with plenty of water in the event of contact with the skin.

Keep brake fluid out of the reach of children.

Keep brake fluid away from skin, eyes or clothing. Wear protective clothing and goggles when required.

Consult a doctor immediately if brake fluid has been swallowed.

Rinse eyes thoroughly with water immediately and consult a doctor if brake fluid comes into contact with the eyes.

If brake fluid spills onto your clothing, change the clothing.

WARNING

Brake fluid used for long time without replacement will reduce braking efficiency. Please change the brake fluid according to the Periodical Maintenance Schedule. Only use the same type DOT4 brake fluid as marked on the fluid reservoir. The mixing of different brake fluid types may cause brake system damage or failure. Please contact your authorized CFMOTO dealer for brake fluid maintenance.

NOTE

When the brake fluid level goes down, it causes negative pressure inside the fluid reservoir, which may lead to reservoir gasket sag. Remove the reservoir cap to release the pressure. Adjust the reservoir gasket and then install the gasket and cap.

MAINTENANCE

Front brake fluid reservoir

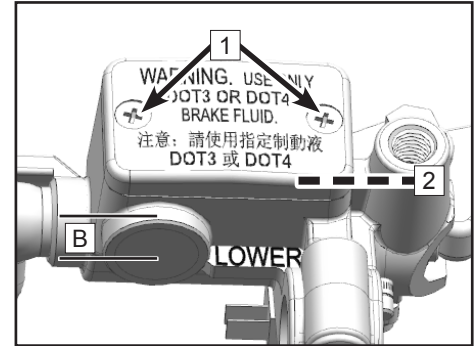
Remove screws [1] .

Remove the cover and reservoir gasket [2] .

Refill brake fluid to area 'B'.

Reinstall the cover and reservoir gasket.

Install the screws.



Rear brake fluid reservoir

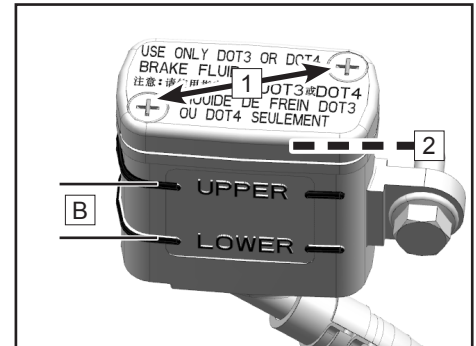
Remove screws [1] .

Remove the cover and reservoir gasket [2] .

Refill brake fluid to area 'B'.

Reinstall the cover and reservoir gasket.

Install the screws.



MAINTENANCE

Brake Disc Inspection

Inspect brake discs periodically for any damage, out of shape, cracks or wear. Damaged brake discs may cause braking failure. Worn-out brake discs reduce the braking distance. If brake discs are damaged or exceed the wear limit, contact an authorized dealer to replace with new brake discs immediately.

Inspect the thickness in several positions for front and rear brake discs.

Double swing arm:

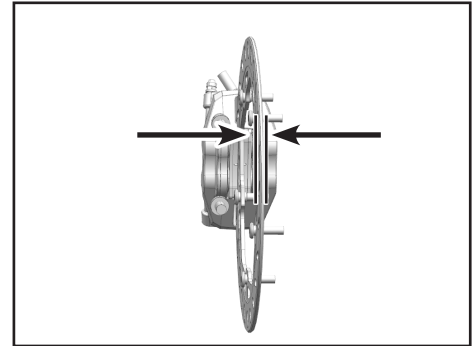
Front brake disc wear limit: 0.16 in (4mm)

Rear brake disc wear limit: 0.12 in (3mm)

Single swing arm:

Front brake disc wear limit: 0.16 in (4mm)

Rear brake disc wear limit: 0.14 in (3.5mm)



MAINTENANCE

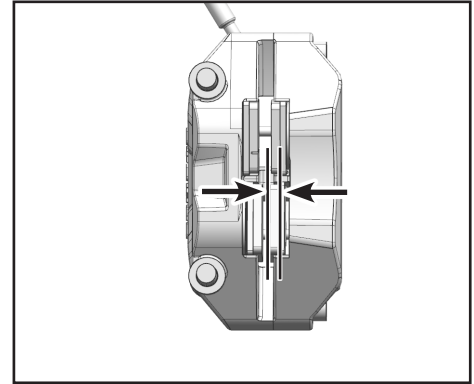
Brake Caliper Inspection

Inspect the brake calipers before riding. Inspect the brake pads for minimum thickness periodically. If the brake pad is too thin, it will cause the steel plate to rub the brake discs, which will severely reduce brake effect and damage the brake system.

Inspect the minimum thickness of brake pads on all brake calipers.

Brake lining plate minimum thickness: ≥ 0.04 in (1 mm)

If the brake pad thickness is less than the minimum limit, or the brake pad plate is damaged, please contact an authorized dealer immediately to repair the brake system.



MAINTENANCE

Anti-Lock Braking System (ABS)

ABS is a safety system that prevents locking of the wheels when driving straight ahead without the influence of lateral forces.

With assistant of ABS, when fully brake or brake in gritty, ponding, sliding or other low adhesive force road conditions, all could handle with full brake force and will not lock the wheel which could be dangerous.

⚠ DANGER

It is not always possible to prevent vehicle rollover in extreme riding situations, e.g. luggage loaded with a high center of gravity, varying road surfaced, steep descents, full braking without clutch lever released. Adapt your riding style to the road conditions and your driving ability.
--

ABS operates with two independent brake circuits (front and rear brakes). When the brake electronics control unit detects a locking tendency in a wheel, ABS begins regulating the brake pressure. We can feel the regulating process according to the slight pulsing of the hand or foot brake levers.

Turn on the ignition switch, ABS indicator should light up and go out after starting off. If ABS indicator will not go out after starting off, or if it lights up during driving, this indicates that there is a fault in the ABS system. In this case, ABS will not work, the wheels may lock during braking. The brake system still stays functional, only ABS is not available.

MAINTENANCE

Shock Absorbers

Shock Absorber Inspection

Holding the handle bar and front brake, compress the front fork for several times to inspect for smooth function. Visually inspect the front shock absorbers for oil leaks, scratches or friction noise.

After riding, check the front shocks for any mud, dirt or debris. Clean these surfaces periodically. Failure to maintain them could lead to oil seal damage and shock oil leak.

Press down on the seat with your weight several times to check if the rear shock absorber works smoothly. Visually inspect the rear shock absorber for an oil leak.

If you have any doubt about the front or rear shock absorber performance, please contact an authorized CFMOTO dealer for immediate inspection.

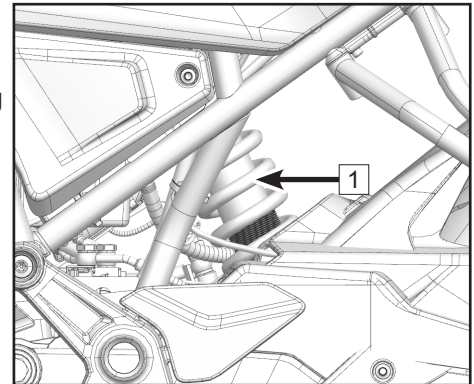
Rear Shock Absorber Adjustment

The rear absorber 1 is adjusted for optimal performance before shipment from the factory, and is appropriate for most riding conditions.

Do not adjust the rear absorber spring preload without a full understanding of its effect on the suspension performance.

DANGER

This part contains high pressure nitrogen gas. Mis-handling can cause explosion. Please read related statement, do not incinerate, puncture or open it.



MAINTENANCE

Electrical System and Lights

Battery

The battery in this vehicle is a maintenance-free battery. Therefore, it is unnecessary to inspect the amount of battery electrolyte or add distilled water. To ensure optimum service life of the battery, keep the battery charged properly to ensure the battery has reserve capacity available at the starter motor. When the motorcycle is used frequently, battery is charged by the motorcycle charging system. If the motorcycle is only used occasionally, or used for a short time during each ride, the battery can remain discharged. Batteries can also self-discharge from infrequent use. The rate of discharge varies with battery type and ambient temperature. When environment temperature rises for example, the rate of discharge could increase by a factor of 1 for every 15°C temperature rise.

In cold weather, if battery is not charged properly it can easily cause freeze the electrolyte, which may lead to battery cracking and warp electrode plates out of shape. Proper, full charging of the battery improves freeze-proof capability.

CAUTION

To avoid battery damage and power loss, do not idle the vehicle for more than 30 minutes. Otherwise, the vehicle cannot be started.

NOTE: Due to motorcycle design and component placement, battery removal and installation should only be performed by CFMOTO technicians in a properly equipped workshop.

MAINTENANCE

Battery Maintenance

Always keep the battery fully charged, or may it damage the battery and result in a shorter life.

If the vehicle is driven infrequently, inspect the battery voltage weekly with a voltmeter. If it drops below 12.8 volts, the battery should be charged with an appropriate charger (check with your dealer). If you will not use the vehicle for longer than 2 weeks, the battery should be tended with an appropriate trickle charger. Do not use an automotive type quick-charger that may overheat the battery and damage it.

Battery Recharger

Contact your dealer for battery charger specifications.

Battery Charging

Remove the battery from the vehicle before charging.

Connect the positive and negative wires from the charger and charge the battery at a rate 1/10th Amp of the battery capacity. For example, the charging rate for a 10Amp-hour battery would be 1.0 ampere.

Ensure that the battery is fully charged before installation.

WARNING

Do not install a conventional wet-cell battery in this motorcycle. The electrical system will not work properly and damage will result.

When removing the battery, remove the negative terminal first, then the positive terminal. When installing, the connecting order is opposite of battery removal.

NOTE:

When charging a maintenance-free battery, always follow the instructions shown on the label.

MAINTENANCE

Battery Disassembly

Put the vehicle on the level ground and park.

Turn off the engine and the vehicle power.

Remove the seat bolt **1**.

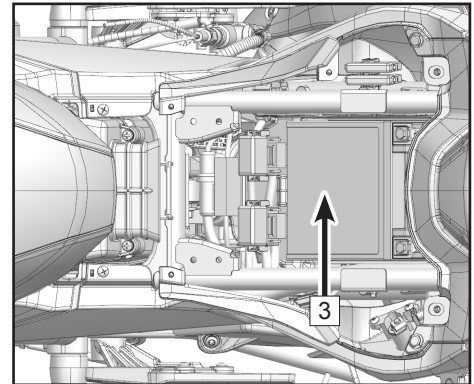
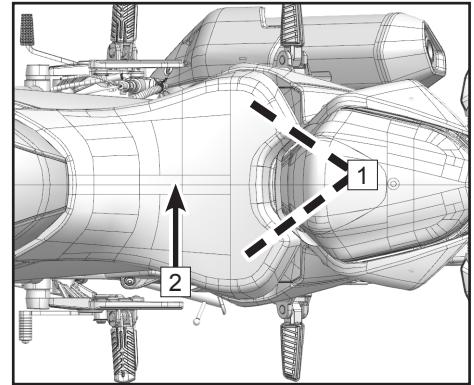
Remove the front seat **2**.

Remove the black negative wire (-).

Remove the red positive wire (+).

Remove the battery belt.

Take out the battery **3**.



MAINTENANCE

Battery Assembly

Put the vehicle on the level ground and park.

Make sure the key is on "OFF" position.

Mount the battery in place.

Mount the battery belt.

Mount the red positive wire (+).

Mount the black negative wire (-).

Mount the seat.

WARNING

Avoid contact with skin, eyes or clothing, and always shield eyes when working near batteries.

Keep out of reach of children. Keep batteries away from sparks, flames, cigarettes or other sources of ignition. Ventilate the area when charging or using in a closed space.

Battery acid antidote:

EXTERNAL: Flush with water.

INTERNAL: Get prompt medical attention.

EYES: Flush with water for 15 minutes and get prompt medical attention.

NOTE: The wrong installation or removal sequence for positive and negative wires may lead to a short circuit between the battery and the vehicle.

MAINTENANCE

Light

High beam and low beam light is adjustable. Rotate the light adjusting knob **1** to adjust light.

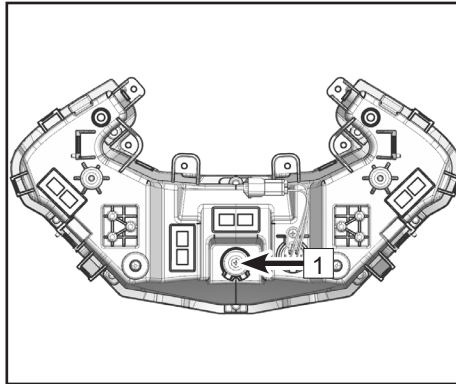
⚠ CAUTION

Adjustment of high / low beams should be accordance with local regulations. The light ray standard is based on that front and rear wheels touch down the ground and driver sits on the vehicle.

All the lights are LED structure, which cannot be repaired if damaged or failed. Have your dealer replace the entire assembly if an LED is damaged or has failed.

⚠ CAUTION

Do not leave the power turned on for a long time if engine will not be started. Headlight constantly on will use battery capacity and cause the engine to fail to start.



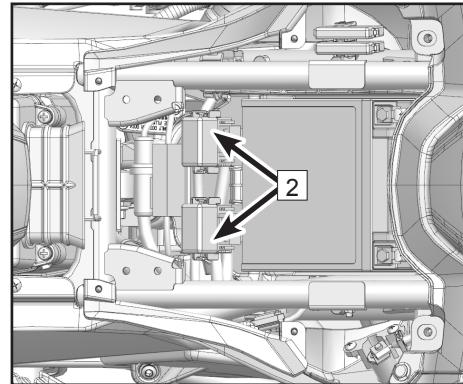
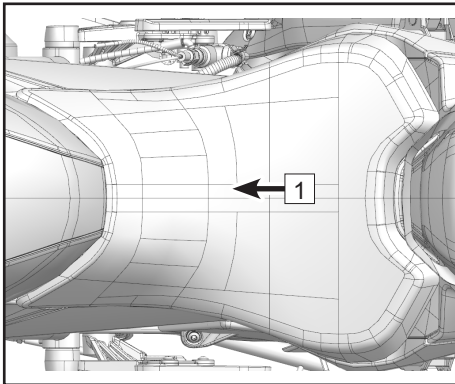
MAINTENANCE

Fuse

Fuse box **2** is located under the seat **1**, it is visible after removing the seat. If a fuse is blown, inspect the electrical system for damage and replace it with the same new fuse.

⚠ WARNING

Do not use any substitute for the standard fuse. Replace a blown fuse with a new one of the same ampere. Ampere value is shown on fuse.



MAINTENANCE

Catalytic Converter

This motorcycle is equipped with a catalytic converter in the exhaust system. Platinum and rhodium contained inside the converter reacts with the engine exhaust of carbon monoxide and hydrocarbons to convert them into carbon dioxide and water, resulting in cleaner exhaust gases discharged into the atmosphere.

For proper operation of the catalytic converter, the following cautions must be followed:

Only use unleaded gasoline. Never use leaded gasoline. Leaded gasoline significantly reduces the service life of the catalytic converter.

Do not coast the vehicle with the engine and transmission engaged, and the ignition switch and/or engine stop switch off. Do not attempt to start the engine many times when the battery is discharged. Under these conditions, unburned air/fuel mixture can flow into the exhaust system, accelerating the reaction with the converter, which leads to an overheated and damaged converter when the engine is hot, or reduced converter performance when the engine is cold.

CAUTION

Only use unleaded gasoline. Even only a little lead can damage the precious metals inside the catalytic converter, causing catalytic converter failure. Do not add anti-rust oil or engine oil into the muffler, which may result in catalytic converter failure.

MAINTENANCE

Fuel Evaporation System

This vehicle is equipped with an EVAP System. Fuel vapors from the fuel tank are drawn into a carbon tank through an absorption tube. The fuel vapors are absorbed by canister that contains active carbon when the engine is stopped. When the engine is running, fuel vapors absorbed in the carbon canister flow into the air intake and burn as a normal part of combustion, avoiding environmental pollution instead of being released into the air directly. Meanwhile, air pressure inside the fuel tank is balanced by the EVAP system. If inner pressure of fuel tank is lower than outside, it is available to replenish air pressure through the air tube of the carbon canister and absorption tube. The EVAP tube system should always remain clear without blocking or squeezing, otherwise the fuel pump could be damaged, and the fuel tank can also become deformed or broken.

Please contact CFMOTO dealer if a fuel evaporation system component has failed. Do not modify the fuel evaporation system, or the system will not meet requirements for environmental regulations. Tube connections should be well connected after any repair without air leakage, blocking, squeezing, being broken or damaged etc.

CLEANING & STORAGE

General Precautions

Keeping your motorcycle clean and in best performance will extend the vehicle service life. Covering your motorcycle with a high quality, breathable motorcycle cover will help to protect the vehicle during storage.

- Always clean the motorcycle after the engine and exhaust system have cooled.
- Avoid applying harsh detergents to seals, brake pads, and tires.
- Wash the vehicle by hand. Do not use high-pressure spray.
- Avoid all harsh chemicals, solvents, detergents, and household cleaning products like ammonium hydroxide.
- Gasoline, brake fluid, and coolant will damage painted plastic surfaces. Wash them off immediately if splashed on any painted plastics.
- Avoid metal brushes, steel wool, and all other abrasive pads or brushes to clean the vehicle.
- Use caution when washing the windshield, headlight cover, and other plastic parts as they can be easily scratched.
- Avoid high water pressure, as it may penetrate seals and electrical components, resulting in vehicle damage.
- Avoid spraying water into areas such as air intakes, fuel system, electrical components, muffler outlets and fuel tank lock.

CLEANING & STORAGE

Washing the Vehicle

- Rinse with cold water to remove any loose dirt.
- Mix a mild detergent specific for motorcycles or automobiles with water in bucket. Use a soft cloth or sponge to wash your motorcycle. If necessary, use a mild degreaser to remove any oil or grease build-up. Start at the top of the motorcycle and wash bottom parts last.
- After washing, rinse your motorcycle with clean water to remove any residue (residue from detergent can damage the components of your motorcycle).
- Dry off your motorcycle with a soft cloth to avoid scratches.
- Start the engine and allow it idle for several minutes. The heat from the engine will help dry off the vehicle in moist areas.
- Carefully ride the motorcycle at a low speed and apply the brake several times. This will help to dry the brakes and restores their normal operating performance.
- Lubricate the drive chain to prevent rusting.

NOTE:

When riding in areas where the roads are salted or near the ocean, clean the motorcycle after your ride with cold water immediately. Do not use warm water to wash your vehicle as it accelerates the chemical reaction of the salt. After drying the vehicle, applying an anti-corrosion spray to all metal or chrome surfaces will help prevent corrosion. In the case of riding during a rainy day or just washing the motorcycle, condensation may form on the inside of the headlight lens. If this happens, start the engine and turn on the headlight to remove the moisture.

CLEANING & STORAGE

Protecting the Surface

After washing your motorcycle, coat the painted surfaces, both metal and plastic, with a commercially available motorcycle/automobile wax. Wax should be applied every three months or as conditions require. Always use non-abrasive products and apply them according to the instructions.

Windshield and Other Plastic

After washing, use a soft cloth to gently dry off plastic parts. When the vehicle is dry, treat the windshield, headlight lens, and other unpainted plastic parts with an approved plastic cleaner or polish.

CAUTION

Plastic parts may deteriorate and break if they come in contact with chemical substances or household cleaning products such as gasoline, brake fluid, window cleaners, thread fastener glue, or other harsh chemicals. If a plastic part comes in contact with any harsh chemical substance, wash it off with water, and then inspect for damage. Avoid using abrasive pads or brushes to clean plastic parts, as they will damage the plastic surface.

Chrome and Aluminum

Chromium alloy and uncoated aluminum parts exposed to the air can oxidize, become dull and lackluster. These parts should be cleaned with a detergent and polished with a spray polish. Painted and unpainted aluminum wheels should be cleaned with special detergent.

Leather, Vinyl, and Rubber Products

If your motorcycle has leather accessories, use a special leather cleaner/treatment to clean. Washing leather parts with detergent and water will damage them, shortening their life. Vinyl parts should be

CLEANING & STORAGE

cleaned separately. Tires and other rubber components should be treated with a rubber protective agent to preserve their life.

DANGER

Special care must be taken when treating tires, that rubber protective agent applied will not affect the tire tread function. If not applied correctly, it may decrease the traction between the tire and ground, possibly causing a loss of control.

CLEANING & STORAGE

Preparation for Storage

Clean the entire vehicle thoroughly.

Run the engine for about 5 minutes, stop the engine, then change the engine oil and filter.


DANGER

Motorcycle oil is a toxic substance. Dispose of used oil properly. Keep the used oil out of reach of children. If skin contacts the oil it should be washed off immediately.

Fill with fresh engine oil.

Fill with fuel and appropriate fuel additive.

DANGER

Gasoline is extremely flammable and explosive under certain conditions. Turn the ignition key to “” position when operation the vehicle. Do not smoke. Make sure the area is well ventilated and free of any source of flame or sparks. This includes any appliance with a pilot light. Gasoline is a toxic substance. Dispose of gasoline properly. Keep the used oil out of reach of children. If skin contacts the oil should be treated immediately.

Reduce tire pressure by 20% during storage period.

Raise wheels off the ground using wood boards or other material to keep dampness away from the vehicle.

Spray a corrosion inhibitor on all unpainted metal surfaces to prevent rusting. Avoid spraying on rubber parts or on the brakes.

Lubricate the drive chain and all cables.

Remove the battery. Store it out of the sun and in a cool, dry place. Ensure that the battery is fully charged

CLEANING & STORAGE

according to periodic maintenance chart.

Tie plastic bags over the muffler exhaust pipe to prevent moisture from entering.

Put a cover over the motorcycle to keep dust and dirt from collecting on it.

Preparation After Storage

Remove the plastic bags from the Muffler.

Verify the battery condition. Charge it if necessary, then install the battery in the motorcycle.

Lubricate any pivot points as necessary (handle bar levers, foot pedal, etc).

Check all the points listed in the Pre-Ride Inspection section.

Test ride at slow speed to verify the vehicle functions normally.

Transporting Your Vehicle

If your vehicle needs to be transported, it should be carried on a motorcycle trailer, a flatbed truck, or trailer that has a loading ramp or lifting platform, and be secured with motorcycle tie-down straps. Never try to tow your vehicle with a wheel or wheels on the ground.

GENERAL TROUBLES AND CAUSES

Problem	Components	Possible Cause	Solution
Engine fails to start	Fuel System	No fuel in fuel tank	Refuel
		Pump blockage or damage: poor fuel quality	Clean or replace
	Ignition System	Spark plug failure: excessive carbon deposits, too long time usage	Inspect or replace
		Spark plug cap failure: Poor contact or burning	Inspect or replace
		Ignition coil failure: poor contact or burning	Inspect or replace
		ECU failure: Poor contact or burning	Inspect or replace
		Trigger coil failure: poor contact or burning	Inspect or replace
		Stator failure: poor contact or burning	Inspect or replace
		Wiring failure: poor contact	Inspect or adjust
	Cylinder compression	Starting mechanism failure: worn or damaged	Inspect or replace
		Intake and exhaust valves, valve seats faulty: too much fuel colloidal or too long time use	Inspect or replace
		Cylinder, piston, piston ring failure: too much fuel colloidal or wear	Inspect or replace
		Intake manifold leakage: too long time use	Inspect or replace
		Valve timing faulty	Inspect or replace

GENERAL TROUBLES AND CAUSES

Insufficient power	Valve and piston	Intake and exhaust valves, piston excessive carbon deposits: poor fuel quality and poor oil quality	Repair or replace
	Clutch	Clutch slips: poor oil, too long time use and overloaded	Adjust or replace
	Cylinder and ring	Cylinder, piston rings wear: poor oil quality and too long time use.	Replace oil
	Brake	Incomplete separation of brake: the brake is too tight	Adjust
	Main chain	The drive chain is too tight: improper adjustment	Adjust
	Engine	Engine overheats: too rich or too lean mixture, poor oil, fuel quality, shelter, etc	Adjust or replace
Insufficient power	Spark plug	Improper spark plug gap, normal specification is 0.7mm -0.9mm	Adjust or replace
	Intake pipe	Air leakage of intake pipe: too long time use	Adjust or replace
	Cylinder head	Air leakage for cylinder head or valves	Adjust or replace
	Electric system	Electrical system failure	Inspect or repair
	Air filter	Clogged air filter	Replace

GENERAL TROUBLES AND CAUSES

Headlights and tail lights do not work	Cable	Poor connections	Adjust
	Left and right switches	Switch poor contact or damage	Adjust or replace
	Headlight	Bulb and lamp holder failure or damage	Adjust or replace
	Regulator	Inspection. Loose connection or burnt	Inspect or replace
	Magneto	Inspect the coil: poor connection or burnt	Inspect or replace
Horn not work	Battery	No electricity	Recharge or replace
	Left switch	Horn button fault or damage	Adjust or replace
	Cable	Poor connection	Adjust or repair
	Horn	Horn damage	Adjust or replace

The items listed are the common faults of a motorcycle. If your motorcycle has failed (especially the electronic fuel injection system, fuel evaporation system, or alarms system), please contact a CFMOTO authorized dealer to check and repair the vehicle.

Danger

Do not try to fix faults without professional help, otherwise it could cause an accident. You become responsible for accidents related to any repairs or maintenance not performed by a CFMOTO dealer.

Reporting Safety Defects

If you believe that your vehicle has a defect which could cause a crash, injury or death, you should immediately inform the National Highway Traffic Safety Administration (NHTSA) in addition to notifying CFMOTO-USA. If NHTSA receives similar complaints, it may open an investigation, and if it finds that a safety defect exists in a group of vehicles, it may order a recall and remedy campaign. Please note that

GENERAL TROUBLES AND CAUSES

NHTSA will not become involved in individual problems between you, your dealer, or CFMOTO-USA. To contact NHTSA, you may call the Vehicle Safety Hotline toll-free at 1-888-327-4236 (TTY: 1-800-424-9153); go to <http://www.safercar.gov>; or write to: Administrator, NHTSA J200 New Jersey Avenue SE, West Building, Washington DC, 20590. You can also obtain other information about motor vehicle safety from <http://www.safercar.gov>.

CFMOTO WARRANTIES FOR USA
Warranty Information

Change of Ownership

If you sell your vehicle, any valid remainder of the warranty can be transferred to the new owner. Please record the details of the exchange below and inform an authorized CFMOTO dealer:

Change of Ownership	Original Purchaser	2nd Owner	3rd Owner	4th Owner
Owner Name				
Address				
City				
State / Zip Code				
Telephone				
E-mail				
Date of Purchase				
Odometer Reading				
New Owner Signature				

NOTE:

If a completed Change of Ownership form does not include the required details or is inaccurate, CFMOTO reserves the right to investigate the actual ownership of the product, the service history, and possibly refuse the application for warranty transfer if the requirements have not been fulfilled.

CFMOTO LIMITED WARRANTIES FOR USA

CFMOTO LIMITED WARRANTY

Dear Customer:

Thank you for purchasing a CFMOTO product. If any component on your vehicle is found to be defective in materials or workmanship within the terms and conditions of this CFMOTO Motorcycle Limited Warranty, the defective component will be repaired or replaced (at the option of CFMOTO) without charge for parts and/or labor at any authorized dealer located within the country of purchase. This warranty covers parts and labor charges for repair or replacement of defective parts and begins on the date of purchase by the original retail purchaser. This warranty is transferable to another owner during the warranty period through an authorized CFMOTO dealer, but any such transfer will not extend the original term of the warranty. The CFMOTO Limited Warranty is subject to the following terms and conditions:

WARRANTY TERMS & CONDITIONS

This CFMOTO Limited Warranty is subject to the following terms and conditions:

- 1. WARRANTY DURATION:** The duration of the warranty period is two (2) years from the date of the new vehicle purchase from an authorized CFMOTO Dealer.
- 2. WARRANTY LIMITATIONS:** This CFMOTO Limited Warranty excludes any failures that are not the result of a defect in material or workmanship. This warranty does not cover failures due to accidental damage, normal wear, abuse, or improper use. This warranty also excludes from coverage general wear items, parts exposed to friction surfaces, and parts exposed to environmental conditions or contaminants that they were not designed for. This Warranty provides no coverage for motorcycle transportation to and from the servicing dealer or loss of personal time.

CFMOTO WARRANTIES FOR USA

3. EXCLUSIONS FROM WARRANTY COVERAGE: This Warranty excludes damages or failures resulting from the following acts or circumstances:

- Fire
- Collision
- Theft
- Unavoidable natural disasters
- Improper storage or transportation
- Failure or negligence in the performance of periodic vehicle maintenance
- Improper or negligent use or operation
- Unauthorized repair or adjustment
- Unauthorized modifications or performance upgrades
- Use of vehicle as a rental vehicle or any use that generates income
- Use of vehicle in competitive or racing events
- Use of aftermarket or non-standard components
- Ingestion of foreign substances
- Accessories or attachments
- Non-recommended fuel, fluids, or lubricants

CFMOTO LIMITED WARRANTIES FOR USA

4. OWNER'S RESPONSIBILITIES: The vehicle's owner must properly use, maintain, and care for the vehicle as outlined in the CFMOTO Owner's Manual. Any warranty repairs must be performed exclusively by CFMOTO authorized Dealers. Any warranty work performed by anyone other than an authorized CFMOTO Dealer will not be covered under the CFMOTO Limited Warranty policy.

5. TRANSFER OR CONTINUATION OF WARRANTY: This warranty is transferable by providing the following information to an authorized CFMOTO Dealer:

- a) The complete model and serial number as shown on the original warranty document must be provided.
- b) The name and address of the existing and new owners must be provided.
- c) The original delivery date of the vehicle must be provided.
- d) The new owner must indicate in writing that he/she has received and read the vehicle's Owner's Manual and the CFMOTO Warranty Policy.
- e) The dealer may be required by CFMOTO to provide an evaluation of the vehicle's condition prior to approval.

6. CUSTOMER ASSISTANCE: Any questions or concerns regarding your CFMOTO vehicle or related products should be directed to an authorized CFMOTO dealer. However, if a dealer is unable to address customer concerns or a product issue, CFMOTO Customer Care can be contacted directly at 763-398-2690 or 888-8CFMOTO and by e-mail: info@cfmotousa.com. Please note that CFMOTO Customer Care is not authorized to approve, modify, or deny warranty, provide technical repair data, diagnosis, instruction, or any other information beyond what is provided in the Owner's Manual.

CFMOTO WARRANTIES FOR USA

7. NOISE CONTROL SYSTEM AND TAMPERING: Federal law prohibits any of the following acts or causing thereof:

- a) The removal or rendering inoperative by any person other than for purposes of maintenance, repair, or replacement, of any device or element of design incorporated into any new vehicle for the purpose of noise control prior to its sale or delivery to the ultimate purchaser or while it is in use.
- b) The use of the vehicle after such device or element of design has been removed or rendered inoperative by any person.
- c) The use of aftermarket components or components that are not direct replacements of parts installed at the time of vehicle manufacture.
- d) Such components include but are not limited to: Mufflers, Exhaust pipes, Silencers, Air cleaner housing/case, air cleaner element, or intake duct.

8. EMISSIONS CONTROL SYSTEM WARRANTY: CFMOTO also warrants to the ultimate purchaser and each subsequent purchaser of each CFMOTO motorcycle covered by this limited warranty that the vehicle is designed, built and equipped so as to conform at the time of sale with all United States federal emission standards applicable at the time of manufacture, and that the vehicle is free from defects in materials and workmanship which would cause it not to meet those standards. Where a warrantable condition exists, CFMOTO will repair your motorcycle at no cost to you, including diagnosis, parts and labor during the warranty period described in *'Emissions Components - Warranty Period'*.

CFMOTO LIMITED WARRANTIES FOR USA

Emissions Components - Warranty Period:

CFMOTO warrants that each new 2021 and later CFMOTO motorcycle that includes as standard equipment a headlight, taillight, stoplight and is street-legal, is free from defects in material and workmanship which cause such motorcycle to fail to conform with applicable regulations of the United States Environmental Protection Agency for a period of use of five (5) Years or 30,000km (18,641 miles), whichever occurs first for 300cc or above motorcycles, and a period of use of five (5) Years or 12,000 km (7456 miles), whichever comes first for 125cc motorcycles.

The emissions control system warranty covers the following:

I. For exhaust emissions, emission-related components include any engine parts related to the following systems:

- Air-induction system
- Fuel system
- Ignition system
- Exhaust gas recirculation systems

II. The following parts are also considered emission-related components for exhaust emissions:

- Aftertreatment devices
- Crankcase ventilation valves
- Sensors
- Electronic control units

CFMOTO WARRANTIES FOR USA

III. The following parts are considered emission-related components for evaporative permeation emissions (If applicable):

- Fuel Tank
- Fuel Cap
- Fuel Line
- Fuel Line Fittings

IV. Emission-related components also include any other part whose primary purpose is to reduce emissions or whose failure would commonly increase emissions without significantly degrading engine/equipment performance.

9. DISCLAIMER: NO OTHER WARRANTY IS PROVIDED BY CFMOTO WITH RESPECT TO CFMOTO MOTORCYCLES EXCEPT AS SPECIFICALLY SET FORTH HEREIN. ANY IMPLIED WARRANTY, WARRANTY OF MERCHANTABILITY, WARRANTY OF FITNESS FOR A PARTICULAR PURPOSE, AND ALL IMPLIED WARRANTIES ARISING FROM A COURSE OF DEALING, USAGE OF TRADE, BY STATUTE OR OTHERWISE, ARE HEREBY STRICTLY LIMITED TO THE TERMS OF THIS WRITTEN MOTORCYCLE LIMITED WARRANTY.

CFMOTO LIMITED WARRANTIES FOR USA

10. INTEGRATION: This limited warranty supersedes any and all oral, express, or written warranties, statements, or undertakings that may previously have been made, and contains the entire agreement of the parties with respect to the warranty of CFMOTO vehicles. Any and all warranties not contained in this Agreement are specifically excluded. This limited warranty shall be the sole and exclusive remedy available to the customer with respect to the covered CFMOTO vehicle. In the event of any alleged breach of any warranty or any legal action brought by the customer based on alleged negligence or other conduct by CFMOTO, or its related parties, the customer's sole and exclusive remedy will be repair or replacement of defective components as stated above, unless otherwise provided by law. Some states do not allow limitations on how long an implied warranty lasts, so the above limitations may not apply if they are deemed inconsistent with the controlling state law.

**CFMOTO WARRANTIES FOR USA
CALIFORNIA EMISSION CONTROL WARRANTY STATEMENT
YOUR WARRANTY RIGHTS AND OBLIGATIONS**

In California, new motor vehicles must be designed, built and equipped to meet the State's stringent anti-smog standards. CFMOTO Powersports, Inc. must warrant the emission control systems on your motorcycle for the periods of time listed below provided there has been no abuse, neglect or improper maintenance of your motorcycle.

Your emission control system may include parts such as the carburetor or fuel-injection system, the ignition system, catalytic converter, and engine computer. Also included may be hoses, belts, connectors, and other emission-related assemblies. Where a warrantable condition exists, CFMOTO Powersports, Inc. will repair your motorcycle at no cost to you including diagnosis, parts, and labor.

MANUFACTURER'S WARRANTY COVERAGE:

For 30,000 km or 5 years whichever first occurs.

If any emission-related part on your motorcycle is defective, the part will be repaired or replaced by CFMOTO Powersports, Inc. This is your emission control system DEFECTS WARRANTY.

CFMOTO WARRANTIES FOR USA

OWNER'S WARRANTY RESPONSIBILITIES:

- As the motorcycle owner, you are responsible for the performance of the required maintenance listed in your owner's manual. CFMOTO Powersports, Inc. recommends that you retain all receipts covering maintenance on your motorcycle, but CFMOTO Powersports, Inc. cannot deny warranty solely for the lack of receipts or for your failure to ensure the performance of all scheduled maintenance.
- You are responsible for presenting your motorcycle to a CFMOTO Powersports, Inc. dealer as soon as a problem exists. The warranty repairs should be completed in a reasonable amount of time, not to exceed 30 days.
- As the motorcycle owner, you should also be aware that CFMOTO Powersports, Inc. may deny you warranty coverage if your motorcycle or a part has failed due to abuse, neglect, improper maintenance, or unapproved modifications.

If you have any questions regarding your warranty rights and responsibilities, you should contact CFMOTO Powersports, Inc. at (763) 398-2690 or the California Air Resource Board at 4001 Iowa Avenue, Riverside, CA 92507.

Telematics Box

T-BOX is an optional part, and when you purchase a vehicle, you'd better check with dealer if it's equipped with a telematics box, or T-BOX.

The T-Box is an intelligent vehicle terminal that builds a communication bridge between owners and vehicles through the CFMOTO RIDE APP installed on a mobile device. The CFMOTO RIDE APP is available for download from the Apple App Store for iPhone or Google Play for Android.



Scan the QR code to download
CFMOTO RIDE APP

TABLE DES MATIÈRES

Avant-propos	171
Bienvenue	171
Système EVAP (système de recyclage des vapeurs de carburant)	173
Convertisseur catalytique	174
Introduction.....	177
Numéros d'identification du véhicule (VIN) et numéro de série du moteur	179
Spécifications	180
Sécurité de l'utilisateur	183
Mesures de sécurité générales	183
Responsabilités du propriétaire.....	187
Équipement de sécurité pour la conduite	189
Avertissements de danger potentiel.....	193
Autocollants de sécurité et leurs emplacements	200
Vue globale du véhicule (bras oscillants doubles)	202
Vue arrière côté gauche	202
Vue arrière côté droit.....	203
Vue globale du véhicule (bras oscillants simple).....	204

Vue arrière côté gauche	204
Vue arrière côté droit.....	205
Commandes et caractéristiques	206
Levier d'embrayage.....	206
Levier de frein avant.....	206
Commutateur de guidon, côté gauche	207
Commutateur de guidon, côté droit.....	208
Poignée d'accélérateur	208
Verrouillages	209
Sélecteur de vitesse	211
Pédale de frein arrière.....	212
Béquille	212
Poignée de retenue et repose-pieds passager	213
Instruments du tableau de bord	214
Activation et essai	214
Indicateurs du tableau de bord.....	215
Affichage du tableau de bord	218
Menu du tableau de bord	224
Utilisation du véhicule	253

Période de rodage.....	253
Inspection quotidienne de sécurité.....	254
Préparation au démarrage	256
Démarrage de la moto	257
Passage des vitesses et conduite	257
Freinage	260
Stationnement	261
Conduite du véhicule en toute sécurité	262
Technique de conduite de la moto en toute sécurité	262
Précautions supplémentaires pour la conduite à grande vitesse	264
Entretien	265
Définition d'une utilisation abusive	266
Points clés du calendrier de lubrification.....	267
Calendrier d'entretien durant la période de rodage.....	268
Calendrier d'entretien périodique	271
Jeu du levier d'embrayage	278
Trousse à outils	279
Circuit d'alimentation de carburant	280
Réservoir de carburant.....	280
Exigences en matière de carburant	282

Ensemble moteur	283
Vérification du niveau de l'huile moteur	283
Changement de l'huile et du filtre à huile	284
Capacité du réservoir d'huile moteur	286
Bougie d'allumage	287
Régime ralentie	287
Système d'admission d'air et d'échappement	288
Système de détection des gaz d'échappement	288
Valve d'admission d'air	288
Jeu des soupapes	289
Filtre à air	290
Corps du papillon	290
Système de redroissement.....	291
Radiateur et ventilateur	291
Durites du radiateur	291
Liquide de refroidissement	292
Vérification du niveau de liquide de refroidissement	294
Remplissage du liquide de refroidissement	295
Pneus et chaînes	296
Spécifications des pneus	296

Indice de charge des pneus	297
Frottement des pneus	298
Vérification de la chaîne de transmission.....	299
Ajustement de la tension de la chaîne (bras oscillants doubles)	301
Ajustement de la tension de la chaîne (bras oscillants simples).....	302
Système de freinage.....	304
Vérification du levier de frein avant	304
Vérification de la pédale de frein arrière	304
Vérification du niveau de liquide des freins	305
Remplissage du liquide de frein	306
Vérification des disques de frein	308
Vérification des étriers de frein.....	309
Système de freinage antiblocage (ABS)	310
Amortisseurs	311
Vérification des amortisseurs	311
Ajustement de l'amortisseur arrière.....	312
Circuit électrique et feux de signalisation	313
Batterie.....	313
Démontage de la batterie.....	315
Remontage de la batterie.....	316

Feux de signalisation du véhicule	317
Fusibles	318
Convertisseur catalytique.....	319
Système EVAP (système de recyclage des vapeurs de carburant)...	320
Nettoyage et remisage de la moto	321
Précaution générale	321
Lavage de la moto.....	322
Protection de la surface	323
Pare-brise et autres pièces en plastique.....	323
Chrome et aluminium	324
Préparation pour le remisage.....	325
Préparation après le remisage	326
Transport du véhicule.....	326
Problèmes généraux et causes possibles	327
Signalement de défauts compromettant la sécurité	331
Information sur la garantie	332
Changement de propriétaire	332
Garantie limitée de CFMOTO.....	333
Boîtier télématique (T-BOX).....	342

AVANT-PROPOS

Bienvenue

Nous vous félicitons pour votre achat d'un véhicule CFMOTO et vous souhaitons la bienvenue dans la grande famille des passionnés de CFMOTO. Assurez-vous de nous visiter en ligne sur www.cfmoto.com pour connaître les dernières nouvelles, les lancements de nouveaux produits, les futurs événements, et plus encore.

CFMOTO est une entreprise internationale qui se spécialise dans le développement, la fabrication et la commercialisation de véhicules tout-terrain, de véhicules utilitaires, de motocyclettes grosses cylindrées et de leurs principales pièces. Fondée en 1989, CFMOTO se consacre au développement d'une exploitation indépendante de sa marque et de l'innovation en recherche-développement. Les produits CFMOTO sont actuellement distribués dans le monde entier par plus de 2000 partenaires dans plus d'une centaine de pays et de régions. CFMOTO se hisse peu à peu au rang des leaders mondiaux dans le secteur des sports motorisés et vise à offrir globalement des produits de grande qualité aussi bien aux concessionnaires qu'aux enthousiastes de ces sports.

Pour une utilisation optimale et sans danger de votre véhicule, veuillez lire attentivement et respecter les instructions et recommandations contenues dans ce Guide de l'utilisateur. Ce Guide contient également les instructions nécessaires à l'entretien courant. Des informations sur les réparations importantes sont décrites dans le Manuel d'entretien de CFMOTO.

Votre concessionnaire CFMOTO connaît parfaitement votre véhicule et ne recherche que votre entière satisfaction. Assurez-vous de vous rendre chez votre concessionnaire pour tous vos besoins d'entretien et de réparation durant et après la période de garantie.

AVANT-PROPOS

Compte tenu des améliorations constantes apportées à la conception, à la qualité et à la fabrication des composants de nos modèles, certaines différences mineures peuvent exister entre le véhicule que vous possédez et les informations présentées dans ce Guide. CFMOTO se réserve le droit de modifier les caractéristiques, les spécifications et les éléments du produit sans préavis ni obligation envers l'acheteur. Les descriptions et/ou procédures contenues dans ce Guide sont fournies à titre de référence uniquement. La version la plus récente de ce Guide peut être disponible sur le site Web destiné aux clients de CFMOTO et couvrant votre région.

Ce Guide porte sur les véhicules : CF300-5US CF300-5BUS.

Avant chaque sortie, veuillez inspecter votre véhicule et suivre les procédures d'entretien de base avant la conduite. Veuillez conserver ce Guide dans votre véhicule, même lorsque vous transférez le véhicule à un autre propriétaire.

Zhejiang CFMOTO Power Co., Ltd se réserve les droits d'interprétation définitifs du Guide de l'utilisateur.

DANGER

L'utilisation, l'entretien et la maintenance des véhicules routiers et hors-route peuvent vous exposer à des produits chimiques tels que les gaz d'échappement du moteur, le monoxyde de carbone, les phtalates et le plomb, qui sont reconnus comme susceptibles de causer le cancer et des anomalies congénitales, ou de nuire au système reproducteur. Afin de minimiser l'exposition, évitez de respirer les gaz d'échappement, évitez de faire tourner le moteur au ralenti plus que nécessaire, entretenez le véhicule dans un endroit bien ventilé et portez des gants ou lavez-vous fréquemment les mains lors de l'entretien du véhicule.

AVANT-PROPOS

Système EVAP (système de recyclage des vapeurs de carburant)

(Si le véhicule en est équipé)

Lorsque la réglementation relative aux émissions dans l'environnement l'exige, ce véhicule est équipé d'un système de recyclage des vapeurs de carburant (EVAP) afin d'éviter que les vapeurs provenant du réservoir et du circuit de carburant s'échappent dans l'atmosphère.

Durant l'entretien régulier, vérifiez visuellement tous les raccords de tuyau pour déceler d'éventuelles fuites ou obstructions. Assurez-vous que les tuyaux ne sont ni obstrués ni pliés, car cela risquerait d'endommager la pompe à essence ou de déformer le réservoir de carburant. Aucun autre entretien n'est nécessaire.

Contactez votre concessionnaire si une réparation est nécessaire. Ne modifiez pas le système EVAP. Modifier n'importe quelle partie de ce système est une violation des règlements relatifs aux émissions dans l'environnement.

AVANT-PROPOS

Convertisseur catalytique

ATTENTION : Veuillez porter attention aux points suivants pour protéger votre convertisseur catalytique :

- Utilisez seulement de l'essence sans plomb. Une essence qui contient même un peu de plomb pourrait endommager les métaux réactifs dans le convertisseur catalytique et le désactiver.
- N'ajoutez jamais d'huile antirouille ou d'huile moteur dans le silencieux, car cela risquerait d'endommager le convertisseur catalytique.

REMARQUE

Certains dispositifs décrits dans ce Guide peuvent ne pas s'appliquer aux modèles vendus dans votre région.

Toutes les descriptions et instructions fournies le sont du point de vue du conducteur correctement assis sur sa moto.

L'information contenue dans ce Guide est basée sur la plus récente production disponible au moment où l'impression a été approuvée.

CFMOTO se réserve le droit d'apporter des changements à tout moment, sans préavis et sans la moindre obligation de sa part.

AVANT-PROPOS

Mentions d'avertissement

Une mention d'avertissement vise à attirer l'attention sur un ou plusieurs messages relatifs à la sécurité, sur un ou plusieurs messages relatifs à des dommages matériels, et désigne le degré ou niveau de gravité du risque. Les mentions d'avertissement standard dans ce Guide sont : **DANGER**, **AVERTISSEMENT**, **ATTENTION** et **REMARQUE**.

Les mentions d'avertissement et symboles suivants apparaissent dans tout ce Guide de même que sur votre véhicule. Votre sécurité est en jeu lorsque ces mentions et symboles sont utilisés. Habituez-vous à leurs significations avant de lire le présent Guide :

DANGER

Cette icône et alerte de sécurité indique un danger potentiel qui peut entraîner des blessures graves voire mortelles.

AVERTISSEMENT

Cette icône et alerte de sécurité indique un danger potentiel qui peut entraîner des blessures légères ou de gravité modérée et/ou causer des dommages au véhicule.

AVERTISSEMENT

Cette icône et alerte de sécurité indique un danger potentiel qui peut causer des dégâts matériels au véhicule.

REMARQUE

Une remarque ou un avis attire votre attention sur des informations ou des instructions importantes.

AVANT-PROPOS
LISEZ ATTENTIVEMENT LE GUIDE DE L'UTILISATEUR
CONFORMEZ-VOUS AUX INSTRUCTIONS ET AUX AVERTISSEMENTS

 AVERTISSEMENT

Lisez, comprenez et conformez-vous à toutes les instructions et mesures de sécurité décrites dans ce Guide et indiquées sur tous les autocollants apposés sur le véhicule. Tout manquement aux mesures de sécurité peut entraîner des blessures graves, voire mortelles.

 AVERTISSEMENT

Les gaz d'échappement de ce véhicule contiennent du CO, un gaz très toxique pouvant provoquer des maux de tête, des étourdissements ou des pertes de conscience, voire la mort.

INTRODUCTION

Merci d'avoir choisi un véhicule CFMOTO et bienvenue au sein de notre famille mondiale des passionnés de CFMOTO. Pour une utilisation optimale et sans danger de votre véhicule, veuillez lire attentivement et respecter les instructions et recommandations contenues dans ce Guide de l'utilisateur. Des informations sur les réparations importantes sont décrites dans le Manuel d'entretien de CFMOTO. Ces réparations ne doivent être effectuées que par un technicien d'entretien accrédité auprès du concessionnaire CFMOTO. Assurez-vous de confier à votre concessionnaire CFMOTO tous les entretiens et réparations pendant et après la période de garantie.

INTRODUCTION

Si vous avez des questions ou des préoccupations à propos de votre véhicule

Toute question ou préoccupation liée à votre véhicule doit être adressée en premier lieu à votre concessionnaire CFMOTO. Votre concessionnaire CFMOTO connaît parfaitement votre véhicule et ne recherche que votre entière satisfaction. Au cas où votre concessionnaire local n'est pas en mesure de résoudre un problème ou une anomalie du produit, vous pouvez vous adresser à un conseiller du service à la clientèle de CFMOTO selon votre lieu de résidence :

Pour les ÉTATS-UNIS : Veuillez contacter CFMOTO POWERSPORTS, INC. par téléphone au 763-398-2690, par courriel info@cfmotousa.com, ou en ligne sur <https://cfmotousa.com/customer-care/customer-care-contact>. Veuillez noter que le service à la clientèle n'a pas l'autorité d'approuver ou de refuser la garantie, et ne peut fournir ni données techniques, ni diagnostic ou instructions sur la réparation.

Pour le CANADA : Veuillez contacter CANADA MOTOR IMPORT INC. par téléphone au 1-418-227-2077, ou en ligne sur <https://www.cfmoto.ca/fr/entretien/>.

Pour toute préoccupation liée à la sécurité de votre véhicule canadien, vous pouvez en aviser la Division *Normes de service – Division des enquêtes sur les défauts et rappels* de Transport Canada, par la poste, par téléphone ou en ligne en utilisant les coordonnées ci-dessous :

Adresse postale : Transport Canada – ASFAD, 330, rue Sparks, Ottawa (ON) K1A 0N5

Téléphone : 819-994-3328 (région d'Ottawa-Gatineau ou international) ou sans frais : 1-800-333-0510 (au Canada) En ligne : <http://www.tc.gc.ca/rappels>

INTRODUCTION

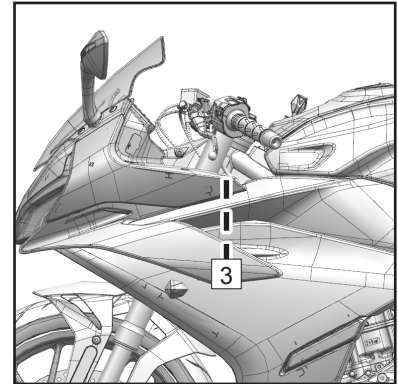
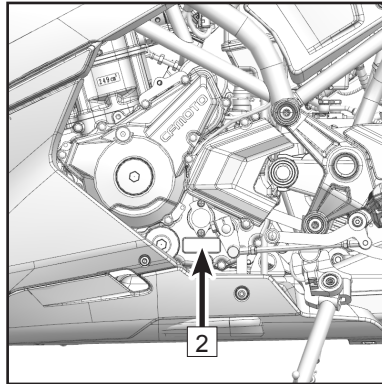
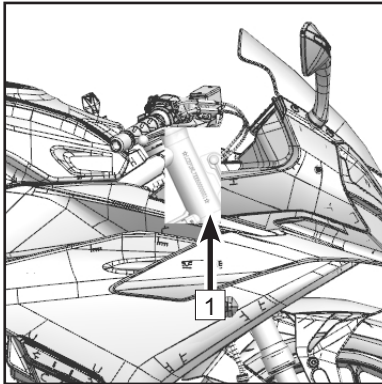
Numéros d'identification du véhicule (VIN) et numéro de série du moteur

Notez le numéro d'identification du véhicule et le numéro de série du moteur ci-dessous.

Numéro d'identification du véhicule (VIN) : _____

Numéro de série du moteur : _____

Numéro de la plaque signalétique : _____



1	N° de VIN	2	N° de série du moteur	3	Plaque signalétique
---	-----------	---	-----------------------	---	---------------------

SPÉCIFICATIONS

	300SS
	CF300-5US CF300-5BUS
Performance	
Puissance maximale	29,5 HP (22 kW) / 9500 tr/min
Couple maximal	19,9 pi-lb (27 N•m) / 6500 tr/min
Vitesse maximale	86,9 mi/h (140 km/h)
Taille	
Longueur	79,1 po (2010 mm)
Largeur	29,5 po (750 mm)
Hauteur	43,5 po (1105 mm)
Empattement	53,7 po (1365 mm)
Garde au sol	5,5 po (140 mm)
Poids à vide	350,5 lb (159 kg)
Moteur	
Type	Monocycle, 4 temps, à refroidissement par eau, type vertical
Cylindrée	298 CC
Alésage x course	3,07 po × 2,45 po (78 mm × 62,4 mm)
Taux de compression	11.5 : 1
Système de démarrage	Démarreur électrique
Système d'alimentation de carburant	Injection électronique (EFI)
Système de commande de l'allumage	Allumage par ECU (Bloc de commande électrique)
Système de graissage	Par projection / sous pression
Capacité d'huile moteur	Lors d'un changement du filtre à huile : 1,47 pinte (1,4 L)

SPÉCIFICATIONS

Type d'huile moteur	SAE 10W-40 JASO-MA2	
Régime ralenti	1550 tr/min ± 150 tr/min	
Transmission		
Type de transmission	6 vitesses, sélecteur de vitesse manuel	
Type d'embrayage	À huile, multi-disques, manuel	
Système d'entraînement	Transmission par chaîne	
Rapport de réduction primaire	2,800	
Rapport de réduction final	2,929	
Rapport de vitesse	1 ^{ère}	3,333
	2 ^{ème}	2,118
	3 ^{ème}	1,571
	4 ^{ème}	1,304
	5 ^{ème}	1,115
	6 ^{ème}	0,963
Châssis		
Taille des pneus	Avant	110/70 R17 M/C 54H
	Arrière	140/60 R17 M/C 63H
Tailles des jantes	Avant	MT 3,0 × 17
	Arrière	MT 3,75 × 17
Capacité du réservoir de carburant	3,17 gal (12 L)	
Consommation de carburant	3,2 L / 100 km (0,84 gal / 62 miles)	

SPÉCIFICATIONS

Composants électriques	
Batterie	12 V / 9 Ah
Phares	DEL
Feu arrière / feu de freinage	DEL
Feu clignotant	DEL

SÉCURITÉ DE L'UTILISATEUR

Mesures de sécurité générales

AVERTISSEMENT

Tout non-respect des avertissements contenus dans ce Guide peut entraîner des blessures graves, voire mortelles. Ce véhicule n'est pas un jouet et son utilisation présente des dangers.

Avant d'utiliser le véhicule, lisez attentivement ce Guide de l'utilisateur et comprenez tous les avertissements et précautions liés à la sécurité, ainsi que les modes opératoires.

Restrictions de conduite

Ce véhicule est un VÉHICULE POUR ADULTES SEULEMENT. L'utilisateur doit détenir un permis de conduire approprié, valide et conforme aux lois et règlements locaux en vigueur.

Connaissez votre véhicule

En tant qu'utilisateur du véhicule, vous êtes responsable de votre propre sécurité, de celle des autres, et de la protection de l'environnement. Lisez et comprenez ce Guide de l'utilisateur car il inclut de précieuses informations sur tous les aspects de votre véhicule, y compris des procédures d'utilisation sécuritaires.

SÉCURITÉ DE L'UTILISATEUR

Modifications de l'équipements

Chez CFMOTO, nous prenons à cœur la sécurité de nos utilisateurs et du public en général. Par conséquent, nous recommandons vivement de ne pas installer sur votre véhicule des équipements ou accessoires susceptibles d'augmenter la vitesse maximale du véhicule ou sa puissance, ou de modifier le véhicule dans ce but. Toute modification apportée à l'équipement d'origine de votre véhicule pourrait créer un grave danger au niveau de la sécurité et augmenter le risque de graves blessures. La garantie de votre véhicule CF MOTO devient nulle si un quelconque équipement accessoire non approuvé est ajouté au véhicule, ou si une quelconque modification est faite sur le véhicule aux fins d'en augmenter la puissance ou la vitesse.

Évitez l'intoxication par le monoxyde de carbone

Les gaz d'échappement de tous les moteurs à essence contiennent du monoxyde de carbone qui est un gaz mortel. Respirer du monoxyde de carbone peut causer des maux de tête, le vertige, la somnolence, la nausée, la confusion et par la suite même la mort.

Le monoxyde de carbone est un gaz incolore, inodore et sans saveur qui peut être présent même si vous ne voyez ni ne sentez aucun échappement du moteur. Le monoxyde de carbone peut s'accumuler rapidement à des niveaux mortels et vous pouvez vite être étouffé au point de n'avoir pas assez de temps pour être soigné. En outre, les niveaux mortels de monoxyde de carbone peuvent stagner pendant des heures ou même des jours dans des lieux clos ou mal aérés.

Pour empêcher les blessures graves ou mortelles causées par le monoxyde de carbone :

- Ne faites jamais tourner le moteur du véhicule dans des lieux mal aérés ou partiellement clos.
- Ne faites jamais tourner le moteur du véhicule à l'extérieur où l'échappement du moteur risque d'être aspiré dans un bâtiment par des ouvertures telles que fenêtres et portes.

SÉCURITÉ DE L'UTILISATEUR

Évitez les incendies et autres risques causés par l'essence

L'essence est extrêmement inflammable et ses vapeurs hautement explosives. Des vapeurs d'essence peuvent s'étendre et s'embraser en présence d'une étincelle ou d'une flamme même à plusieurs pieds du moteur. Pour réduire le risque d'incendie ou d'explosion, suivez ces instructions :

- Respectez rigoureusement les procédures de remplissage appropriées.
- Ne faites jamais démarrer ou fonctionner le moteur si le bouchon du réservoir de carburant n'est pas correctement installé. L'essence est toxique et peut entraîner des blessures ou la mort.
- Ne siphonnez jamais de l'essence par la bouche.
- Si vous avalez de l'essence, recevez de l'essence dans les yeux ou inhalez des vapeurs d'essence, consultez un médecin dans les plus brefs délais.
- Si de l'essence se renverse sur vous, lavez immédiatement avec de l'eau et du savon, et changez vos vêtements.

Avertissements et sécurité relativement à l'indice d'octane minimum du carburant

Le carburant recommandé pour votre véhicule est une essence super ou intermédiaire à indice d'octane de 87 minimum, (un mélange contenant jusqu'à 10% d'éthanol est permis). Du carburant non oxygéné (sans éthanol) est recommandé pour la meilleure performance dans toutes les conditions.

SÉCURITÉ DE L'UTILISATEUR

AVERTISSEMENT

- L'essence est très inflammable et explosive dans certaines conditions.
- Laissez le moteur et le pot d'échappement se refroidir avant de remplir le réservoir.
- Redoublez toujours de prudence toutes les fois que vous manipulez de l'essence.
- Faites toujours le plein avec le moteur arrêté, et à l'extérieur ou dans un lieu bien ventilé.
- Ne fumez pas et évitez à tout prix les flammes nues ou les étincelles dans ou à proximité de l'endroit où vous faites le plein, ou du lieu où de l'essence est entreposée.
- Ne remplissez pas le réservoir excessivement. Ne remplissez pas le réservoir à ras bord.
- Si de l'essence se renverse sur votre peau ou vos vêtements, lavez immédiatement avec de l'eau et du savon, et changez vos vêtements.
- Ne mettez jamais le moteur en marche ou ne le laissez jamais tourner dans des lieux clos. Les gaz d'échappement du moteur sont toxiques et peuvent entraîner une perte de conscience ou la mort en peu de temps.
- Les gaz d'échappement du moteur de ce véhicule contiennent des produits chimiques reconnus comme pouvant causer le cancer, des anomalies congénitales ou d'autres dommages de l'appareil reproducteur. Utilisez ce véhicule seulement à l'extérieur ou dans des zones bien ventilées.

Évitez les brûlures causés par des pièces très chaudes

Le pot d'échappement et le moteur deviennent brûlants durant leur fonctionnement. Évitez tout contact avec ces pièces pendant et peu de temps après l'utilisation du véhicule afin de prévenir des brûlures.

SÉCURITÉ DE L'UTILISATEUR

Responsabilités du propriétaire

Soyez qualifié et responsable

Lisez très attentivement ce Guide de l'utilisateur et comprenez les autocollants d'avertissement sur ce véhicule. Suivez, si disponible, un cours de formation sur la conduite sécuritaire en terrain découvert. Entraînez-vous à conduire à de basses vitesses pour commencer. Les vitesses plus élevées exigent une expérience et des connaissances plus grandes, ainsi que des conditions de conduite appropriées. Familiarisez-vous totalement avec les commandes générales d'utilisation et de contrôle du véhicule.

Ce véhicule est un VÉHICULE POUR ADULTES SEULEMENT. L'utilisateur doit détenir un permis de conduire approprié, valide et conforme aux lois et règlements locaux en vigueur. Le pilote doit être assez grand et capable : d'être bien assis, de tenir le guidon des deux mains, d'actionner à fond le levier d'embrayage avec la main gauche, d'actionner à fond le levier de freinage avec la main droite, d'actionner à fond la pédale de frein avec le pied droit, et d'être également capable de poser les deux pieds sur le repose-pieds et d'équilibrer le véhicule, durant un arrêt, en utilisant les pieds.

SÉCURITÉ DE L'UTILISATEUR

Transport d'un passager

- L'utilisateur doit détenir un permis de conduire valide et approprié conformément aux lois et règlements en vigueur concernant les modèles équipés pour le transport d'un passager.
- Un seul passager est admis; il doit être correctement assis sur le siège passager et être assez grand pour rester toujours bien assis en agrippant la poignée de retenue, et pour avoir les pieds bien plantés sur les repose-pieds.
- Assurez-vous que le passager lise et comprenne bien tous les autocollants de sécurité du véhicule.
- Ne transportez jamais un passager qui se trouve sous l'emprise de médicaments, de drogues ou d'alcool, ou bien s'il est fatigué ou malade. Une telle emprise réduit le temps de réaction et altère le jugement.
- Ne transportez jamais un passager si vous jugez qu'il n'a pas l'aptitude ou le jugement suffisant pour se concentrer sur les conditions du terrain et s'adapter en conséquence.

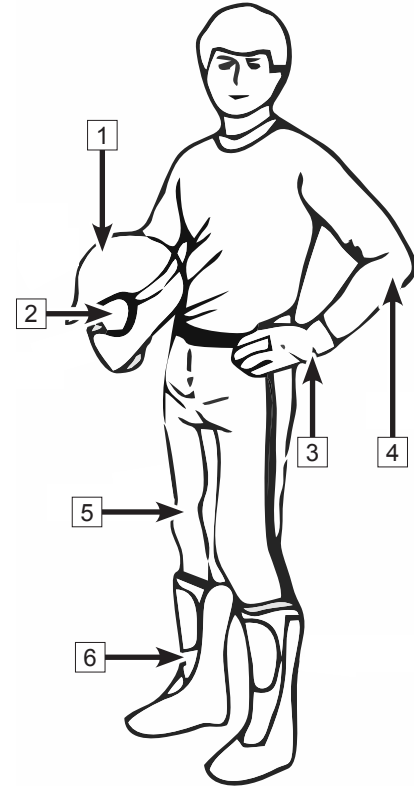
SÉCURITÉ DE L'UTILISATEUR

Équipement de sécurité pour la conduite

Le pilote et le passager doivent toujours porter des vêtements et équipements adaptés au type de conduite afin de réduire les risques de blessures. Ceci comprend :

- 1 Un casque de protection approuvé
- 2 Une protection oculaire
- 3 Gants
- 4 Un chandail à manches longues
- 5 Un pantalon long
- 6 Des bottes montant au-dessus des chevilles

Selon les conditions météorologiques réelles, vous aurez besoin d'équipement supplémentaire tel qu'une protection oculaire antibuée, des sous-vêtements thermiques et une protection faciale pour le temps froid. L'utilisateur ne doit jamais porter de vêtements amples ou lâches qui risquent de rester pris dans le véhicule ou sur des branches d'arbre ou des broussailles.



SÉCURITÉ DE L'UTILISATEUR

Casque et protection des yeux

Un casque homologué peut, en cas d'accident, éviter de graves blessures à la tête. Veuillez noter que même le meilleur casque du marché ne constitue pas une garantie contre des blessures.

Le casque que vous choisissez doit répondre aux normes en vigueur dans votre pays ou région. Un casque intégral avec écran facial reste ce qu'il y a de mieux pour se protéger des impacts d'insectes, des projections de petits cailloux, de la poussière, des débris volants, etc.

Un casque ouvert n'est pas en mesure d'offrir la même protection pour votre visage et vos mâchoires. Si vous optez pour un casque ouvert, portez un écran facial amovible et des lunettes de protection. Ne vous fiez pas à des lunettes de vue ou de soleil pour la protection oculaire, car elles ne sont pas conçues pour protéger contre les impacts. Des débris volants risquent de briser les lentilles, causant des blessures aux yeux.

N'utilisez des écrans faciaux ou des lunettes teintés que pendant la journée sous une lumière vive; ne les portez pas la nuit ou dans des conditions de faible luminosité, car elles nuiraient à votre capacité de distinguer les couleurs. Ne les portez pas si vous avez de la difficulté à distinguer les couleurs.

Gants

Des gants couvrant tous les doigts protègent vos mains contre le vent, le soleil, la chaleur, le froid et les éclaboussures. Des gants bien ajustés aident à la conduite et soulagent la fatigue des mains. Si les gants sont trop lourds, ils rendront la conduite plus difficile.

Des gants de moto très résistants protégeront vos mains en cas d'accident ou de renversement. Des gants de motoneige offrent une meilleure protection pour la conduite en régions froides.

SÉCURITÉ DE L'UTILISATEUR

Vestes, pantalons et combinaisons de moto

Portez une veste ou un chandail à manches longues et des pantalons longs, ou encore une combinaison moto. Des vêtements de protection de qualité assurent votre confort et peuvent vous aider à éviter d'être gêné par des conditions météorologiques défavorables. En cas d'accident, des vêtements de protection de bonne qualité faits en tissus très résistants peuvent empêcher les blessures ou les réduire.

Si vous conduisez par temps froid, protégez-vous contre l'hypothermie. L'hypothermie est une situation où la température corporelle est trop basse et peut provoquer une perte de concentration, des réactions plus lentes et une perte de souplesse et de précision des mouvements musculaires. Par temps froid, des vêtements de protection adéquats comme une veste coupe-vent et des habits à couches isolées sont essentiels. Même lorsque vous conduisez à des températures modérées, vous pourrez ressentir un froid intense à cause du vent. Par contre, des vêtements de protection appropriés pour la conduite par temps froid peuvent s'avérer trop chauds dès que vous vous arrêtez. Il convient donc de porter plusieurs couches afin de pouvoir les retirer selon les besoins. Porter une couche externe coupe-vent sur les vêtements de protection peut empêcher l'air froid d'atteindre la peau.

Bottes

Portez toujours des bottes fermées montant au-dessus des chevilles. En plus d'offrir une meilleure protection, les bottes robustes montant au-dessus des chevilles avec semelles antidérapantes permettent de bien planter les pieds sur les repose-pieds. Évitez les longs lacets qui pourraient se coincer dans des pièces de la moto. Pour la conduite en hiver, il est recommandé de porter des bottes à semelles caoutchouc avec des dessus de botte en nylon ou en cuir et des chaussons en feutre amovibles. Évitez les bottes de pluie en caoutchouc, car elles risquent de rester prises derrière la pédale de frein, nuisant à son bon fonctionnement.

SÉCURITÉ DE L'UTILISATEUR

Autre équipement de conduite

Vêtements pour la pluie

Lorsque vous conduisez par temps pluvieux, une combinaison imperméable ou une combinaison de motocycliste est recommandée. Pour les longs trajets, il est plus prudent d'emporter un vêtement protégeant de la pluie. Le fait de garder les vêtements secs vous maintiendra plus confortable et plus alerte.

Protection de l'ouïe

L'exposition à long terme au vent et au bruit du moteur durant la conduite peut provoquer une perte auditive permanente. Des dispositifs de protection auditive convenablement utilisés tels que des bouches-oreilles peuvent aider à empêcher la perte auditive. Vérifiez les lois en vigueur dans votre région avant d'utiliser des dispositifs de protection auditive.

SÉCURITÉ DE L'UTILISATEUR

Avertissements de danger potentiel

AVERTISSEMENT

DANGER POTENTIEL :

Non-respect des instructions de conduite appropriées de ce véhicule.

CONSÉQUENCES POSSIBLES :

Le risque d'accident augmente de façon considérable si l'utilisateur ne maîtrise pas correctement son véhicule dans tous les types de situation et sur différents types de terrain.

COMMENT ÉVITER LE DANGER :

Les utilisateurs débutants et inexpérimentés doivent suivre un cours de formation sur la sécurité s'il est offert par le concessionnaire. Les utilisateurs doivent mettre régulièrement en pratique les compétences acquises dans le cours et les techniques de conduites décrites dans le Guide de l'utilisateur.

SÉCURITÉ DE L'UTILISATEUR

AVERTISSEMENT

DANGER POTENTIEL :

Non-respect des recommandations relatives à l'âge minimum.

CONSÉQUENCES POSSIBLES :

De graves blessures et (ou) des blessures mortelles pourraient survenir si une jeune personne qui n'a pas atteint l'âge minimum recommandé conduit ce véhicule. Même si une jeune personne a atteint l'âge minimum recommandé pour la conduite, elle pourrait ne pas posséder les aptitudes, les compétences ou le jugement nécessaires pour conduire sans risque, et pourrait avoir un accident ou se blesser.

COMMENT ÉVITER LE DANGER :

L'utilisateur doit détenir un permis de conduire approprié et valide conformément aux lois et règlements en vigueur.

SÉCURITÉ DE L'UTILISATEUR

AVERTISSEMENT

DANGER POTENTIEL :

Conduire ce véhicule sans casque homologué, protection oculaire et vêtements de protection.

CONSÉQUENCES POSSIBLES :

Conduire sans casque homologué augmente le risque de blessures graves à la tête ou même la mort en cas d'accident. Conduire sans protection oculaire peut provoquer un accident et augmenter le risque de graves blessures aux yeux en cas d'accident. Conduire sans vêtements de protection adéquats peut accroître le risque de blessures graves.

COMMENT ÉVITER LE DANGER :

Portez toujours un casque homologué de la bonne taille et bien ajusté à la tête. Portez toujours une protection oculaire (lunettes protectrices ou écran facial), des gants, un chandail ou un blouson à manches longues, un pantalon long et des bottes montant au-dessus des chevilles.

SÉCURITÉ DE L'UTILISATEUR

⚠ AVERTISSEMENT

DANGER POTENTIEL :

Conduire ce véhicule après utilisation de drogues ou d'alcool.

CONSÉQUENCES POSSIBLES :

La consommation d'alcool et/ou de drogues peut sérieusement affecter le jugement du conducteur. Elle peut également diminuer le temps de réaction et amoindrir le sens de l'équilibre et la perception du conducteur. Toute consommation d'alcool et/ou de drogues avant ou pendant la conduite d'un véhicule peut occasionner un accident et provoquer des blessures graves, voire mortelles.

COMMENT ÉVITER LE DANGER :

Ne consommez jamais d'alcool ou de drogues avant ou pendant la conduite du véhicule.



DANGER POTENTIEL :

DANGER POTENTIEL :

Conduire à des vitesses excessives.

CONSÉQUENCES POSSIBLES :

Une vitesse excessive augmente le risque de perte de contrôle du véhicule par le conducteur, pouvant ainsi provoquer un accident.

COMMENT ÉVITER LE DANGER :

Conduisez toujours à une vitesse adaptée au terrain, à la visibilité, aux conditions ambiantes et à votre expérience.

SÉCURITÉ DE L'UTILISATEUR

AVERTISSEMENT

DANGER POTENTIEL :

Tenter des cabrés, des sauts et d'autres cascades.

CONSÉQUENCES POSSIBLES :

Tenter des cascades augmente le risque d'accident, y compris un renversement du véhicule.

COMMENT ÉVITER LE DANGER :

Ne tentez jamais les cabrés, les sauts ou d'autres cascades.

AVERTISSEMENT

DANGER POTENTIEL :

Non-respect des vérifications d'usage avant l'utilisation et/ou l'entretien non conforme de ce véhicule.

CONSÉQUENCES POSSIBLES :

Un mauvais entretien augmente le risque d'accident ou de dommages aux équipements.

COMMENT ÉVITER LE DANGER :

Vérifiez toujours la sécurité de votre véhicule avant chaque utilisation pour vous assurer que sa conduite ne pose pas de danger. Respectez toujours les procédures et les calendriers d'inspection et d'entretien décrits dans ce Guide de l'utilisateur.

SÉCURITÉ DE L'UTILISATEUR

AVERTISSEMENT

DANGER POTENTIEL :

Conduire le véhicule avec des pneus inadéquats ou des pneus mal gonflés.

CONSÉQUENCES POSSIBLES :

La conduite de ce véhicule avec des pneus inappropriés ou avec une pression des pneus inadéquate ou inégale peut entraîner une perte de contrôle du véhicule ou un accident.

COMMENT ÉVITER LE DANGER :

Utilisez toujours des pneus de la taille et du type précisés dans le Guide de l'utilisateur. Maintenez toujours une pression des pneus adéquate.

SÉCURITÉ DE L'UTILISATEUR

AVERTISSEMENT

DANGER POTENTIEL :

Conduire le véhicule avec des modifications inadéquates ou non approuvées.

CONSÉQUENCES POSSIBLES :

L'installation inadéquate d'accessoires ou la modification inappropriée du véhicule peut causer des changements dans la maniabilité et ainsi entraîner un accident.

COMMENT ÉVITER LE DANGER :

Ne modifiez jamais le véhicule en installant ou en utilisant des pièces ou accessoires de façon non conforme. Toute pièce et tout accessoire ajouté au véhicule doivent être d'origine ou être des composants équivalents conçus spécifiquement pour ce véhicule, et ils doivent être installés et utilisés conformément à des instructions approuvées. Pour de plus amples informations, consultez votre concessionnaire.

AUTOCOLLANTS DE SÉCURITÉ ET LEURS EMPLACEMENTS

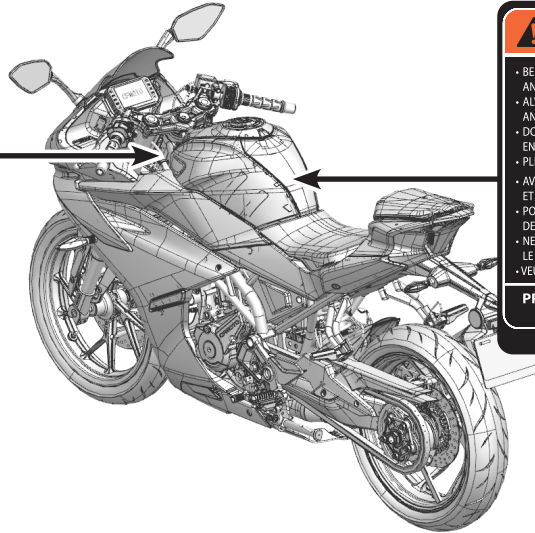
MANUFACTURED BY / MANUFACTURÉ PAR :				
ZHEJIANG CFMOTO POWER CO., LTD				

DATE OF MFG		MM/Y Y		GVWR 335kg(738Lbs)

	GAWR	TIRE/PNEU DIMENSION	RIM	COLD
○ FRONTI/AVANT	110kg(242Lbs)	110/70R17 MC (54H)	MT3,0*17	225kPa(32.6PSI)
○ REAR/ARRIERE	225kg(494Lbs)	140/60R17 MC (53H)	MT3,75*17	225kPa(32.6PSI)

THIS VEHICLE CONFORMS TO ALL APPLICABLE FEDERAL MOTOR VEHICLE SAFETY STANDARDS IN EFFECT ON THE DATE OF MANUFACTURE SHOWN ABOVE.				
CE VÉHICULE EST CONFORME À TOUTES LES LOIS FÉDÉRALES APPLICABLES SUR LES VÉHICULES À MOTEUR NORMES EN VIGUEUR À LA DATE DE FABRICATION INDIQUÉE CI-DESSUS.				

VIN:		TYPE OF VEHICLE: MOTORCYCLE / TYPE DE VÉHICULE: MOTO		



⚠ WARNING/AVERTISSEMENT

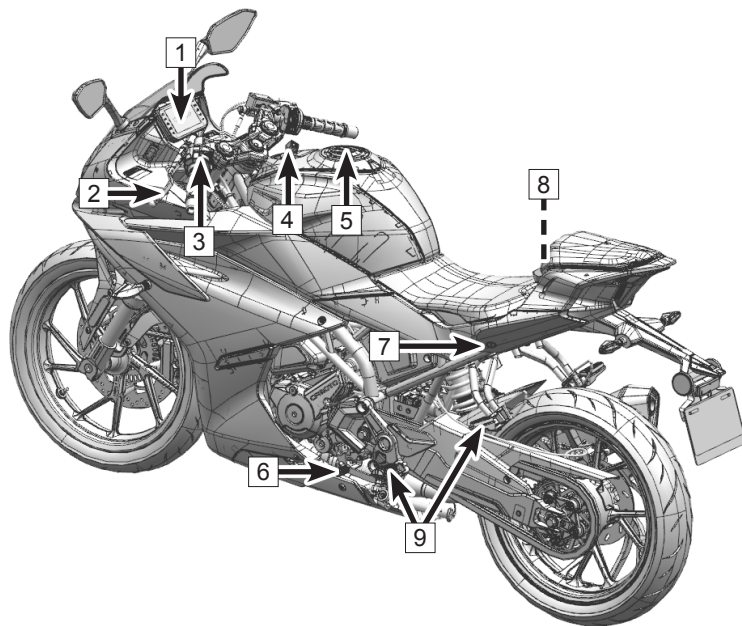
- BEFORE YOU OPERATE THIS VEHICLE, READ THE OWNER'S MANUAL AND ALL LABELS.
- ALWAYS WEAR AN APPROVED MOTORCYCLE HELMET, EYE PROTECTION AND PROTECTIVE CLOTHING.
- DO NOT TOUCH OVERHEATED, ROTATING PARTS SUCH AS EXHAUST PIPE, ENGINE, WHEEL AND ECT.
- PLEASE SLOW DOWN ON POOR VISIBILITY AND SLIPPERY ROAD.
- AVANT D'UTILISER CE VÉHICULE, LISEZ LE MANUEL DU PROPRIÉTAIRE ET TOUTES LES ÉTIQUETTES.
- PORTEZ TOUJOURS UN CASQUE DE MOTO APPROUVÉ, UNE PROTECTION DES YEUX ET UN VÊTEMENT DE PROTECTION.
- NE TOUCHEZ PAS LES PIÈCES SURCHAUFFÉES ET TOURNANTES COMME LE TUYAU D'ÉCHAPPEMENT, LE MOTEUR, LA ROUE, ETC.
- VEUILLEZ RALENTIR SI UNE MAUVAISE VISIBILITÉ OU UNE ROUTE GLISSANTE.

**PREMIUM UNLEADED GASOLINE 87 OR HIGHER.
ESSENCE SUPER SANS PLOMB 87 OU PLUS**

6F1V-190002-6600

VUE GLOBALE DU VÉHICULE (BRAS OSCILLANTS DOUBLES)

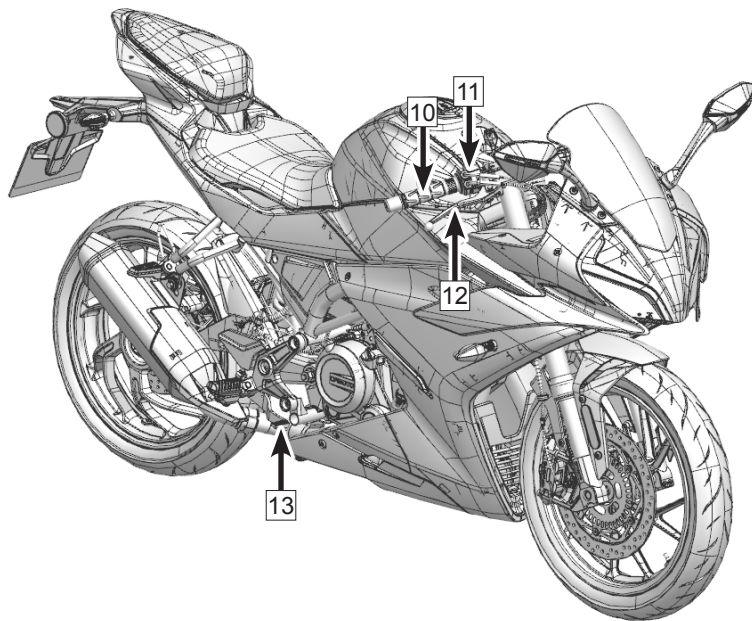
Vue arrière côté gauche



- 1 : Écran d'affichage
- 2 : Levier d'embrayage
- 3 : Commutateur de guidon, côté gauche
- 4 : Contacteur d'allumage à clé
- 5 : Bouchon de réservoir verrouillable
- 6 : Sélecteur de vitesse
- 7 : Serrure du siège
- 8 : Poignée de retenue passager
- 9 : Repose-pieds

VUE GLOBALE DU VÉHICULE (BRAS OSCILLANTS DOUBLES)

Vue avant côté droit



10 : Poignée d'accélérateur

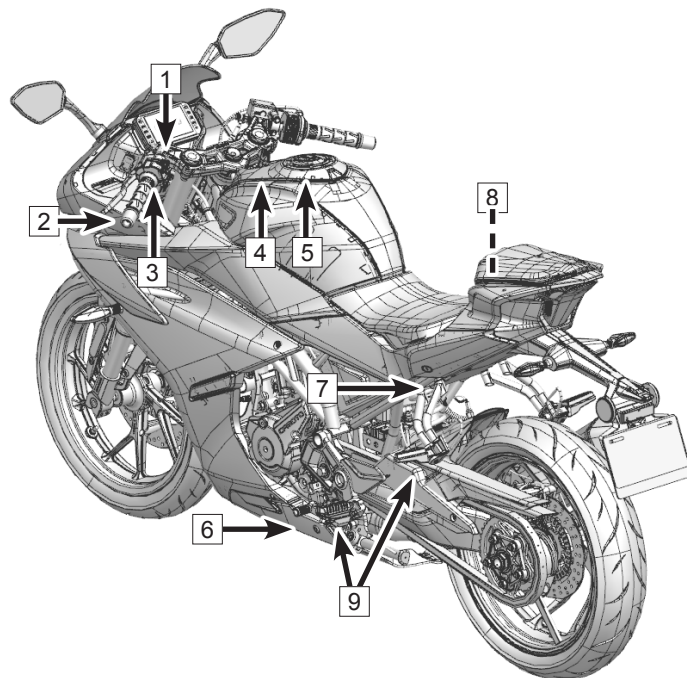
11 : Commutateur de guidon, côté droit

12 : Levier de frein avant

13 : Pédale de frein arrière

VUE GLOBALE DU VÉHICULE (BRAS OSCILLANT SIMPLE)

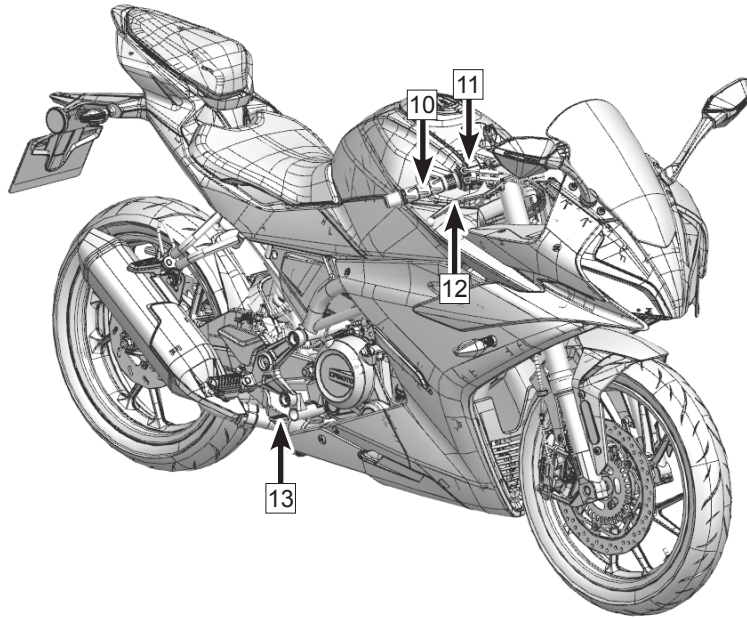
Vue arrière côté gauche



- 1 : Écran d'affichage
- 2 : Levier d'embrayage
- 3 : Commutateur de guidon, côté gauche
- 4 : Contacteur d'allumage à clé
- 5 : Bouchon de réservoir verrouillable
- 6 : Sélecteur de vitesse
- 7 : Serrure du siège
- 8 : Poignée de retenue passager
- 10 : Repose-pieds

VUE GLOBALE DU VÉHICULE (BRAS OSCILLANT SIMPLE)

Vue avant côté droit



10 : Poignée d'accélérateur

11 : Commutateur de guidon, côté droit

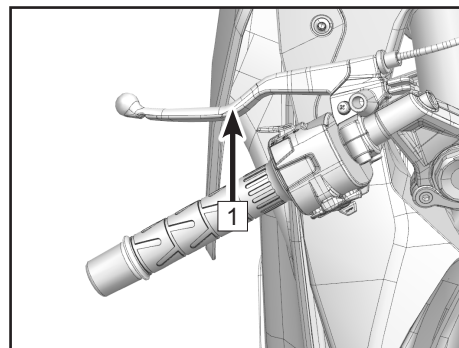
12 : Levier de frein avant

13 : Pédale de frein arrière

COMMANDES ET CARACTÉRISTIQUES

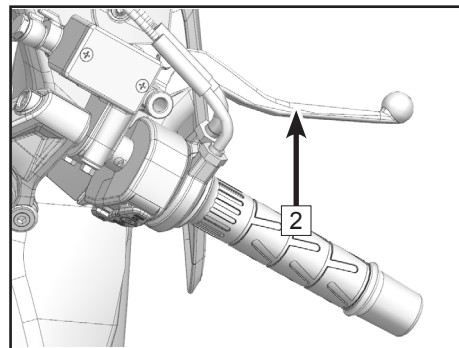
Levier d'embrayage

Le levier d'embrayage **1** se trouve du côté gauche du guidon. L'embrayage est du type câble.



Levier de frein avant

Le levier de frein avant **2** se trouve du côté droit du guidon. L'étrier de frein avant actionne le freinage lorsque le levier de frein est tiré vers la poignée.









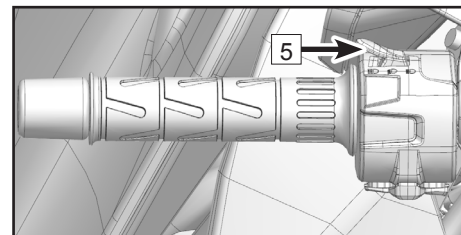
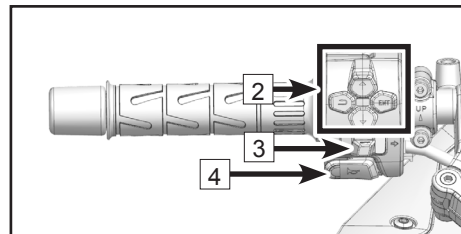
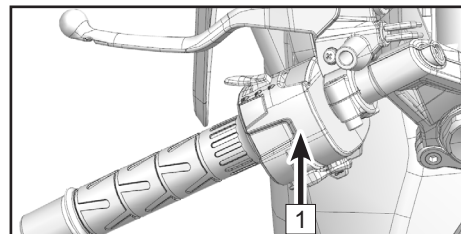
COMMANDES ET CARACTÉRISTIQUES

Commutateur de guidon, côté gauche

Commutateur de guidon, côté gauche **1** se trouve du côté gauche du guidon.

Fonctions du commutateur de guidon côté gauche

2	Bouton Instruments	Commande les fonctions du tableau de bord. Référez-vous à la section Instruments du tableau de bord .	
3	Bouton de clignotant		Poussez ce bouton vers la droite, le clignotant droit s'active.
			Poussez ce bouton vers la gauche, le clignotant gauche s'active.
4	Avertisseur sonore		Appuyez brièvement sur ce bouton pour activer l'avertisseur sonore.
5	Bouton-poussoir gradateur		Pressez le bouton clignoteur de dépassement : les feux de dépassement clignotent.
			Lorsque le bouton est dans cette position, les feux de croisement s'allument.
			Lorsque le bouton est dans cette position, les feux de route s'allument.







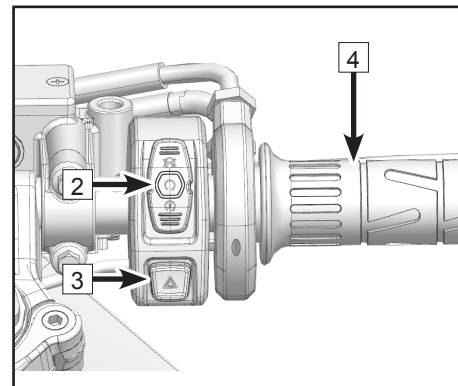
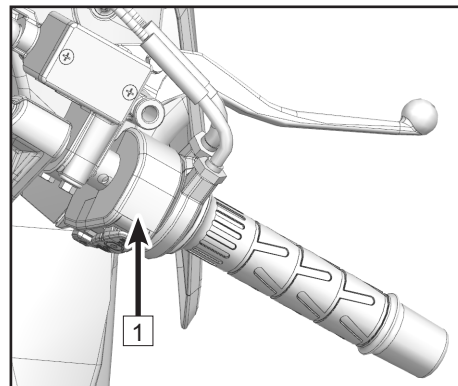
COMMANDES ET CARACTÉRISTIQUES

Commutateur de guidon, côté droit

Le commutateur droit du guidon **1** se trouve du côté droit du guidon.

Fonctions du commutateur de guidon côté droit

2	Boutons d'arrêt et de démarrage		Tournez le bouton dans cette position, le véhicule s'arrête.
			Tournez le bouton dans cette position, le véhicule est prêt au démarrage.
			Tournez le bouton dans cette position pour démarrer le véhicule.
3	Bouton Feux de détresse		Appuyez sur ce bouton pour activer les feux de détresse.






Poignée d'accélérateur

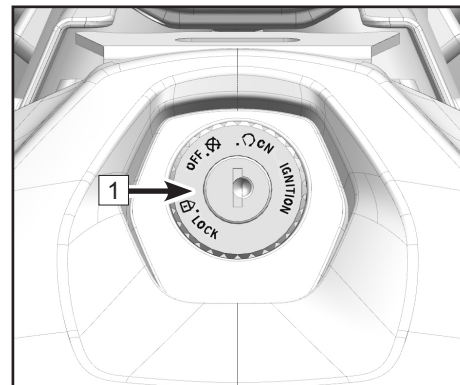
La poignée de l'accélérateur **4** se trouve du côté droit du guidon.

COMMANDES ET CARACTÉRISTIQUES

Verrouillages

Contacteur d'allumage à clé 1

Verrouillage du guidon		Tournez le guidon vers la gauche, puis tournez la clé jusqu'à l'indicateur de verrouillage : le guidon se verrouille.
Arrêt		Lorsque vous tournez la clé sur cette position, le moteur s'arrête et les circuits d'alimentation électrique du véhicule sont déconnectés.
Démarrage		Lorsque vous tournez la clé sur cette position, le moteur peut démarrer et les circuits d'alimentation électrique du véhicule sont connectés.

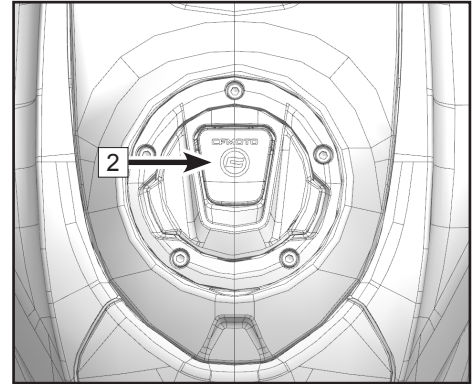


COMMANDES ET CARACTÉRISTIQUES

Bouchon de réservoir verrouillable 2

Suivez les consignes ci-dessous avant d'ouvrir le réservoir de carburant :

- Arrêtez le véhicule et coupez le moteur.
- Ouvrez le couvercle du bouchon de réservoir verrouillable.
- Insérez la clé puis tournez pour déverrouiller la serrure.
- Ouvrez le bouchon du réservoir de carburant.

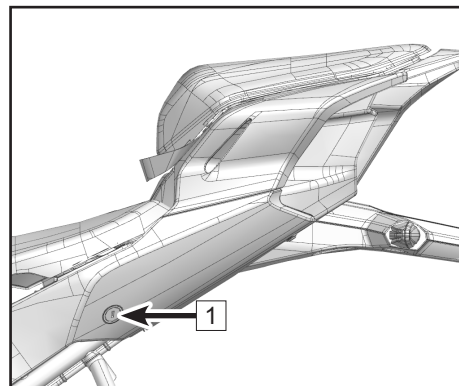


COMMANDES ET CARACTÉRISTIQUES

Serrure du siège 1

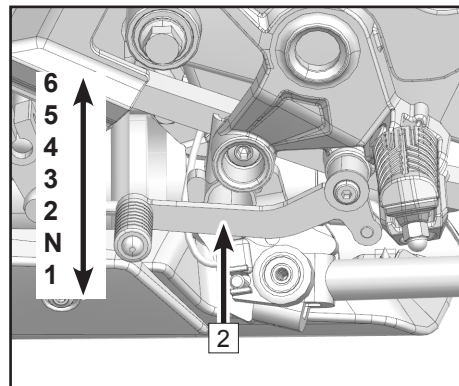
La serrure du siège se trouve sur le côté gauche du véhicule.

Le siège peut être enlevé en insérant la clé et en la tournant pour déverrouiller la serrure.



Sélecteur de vitesse

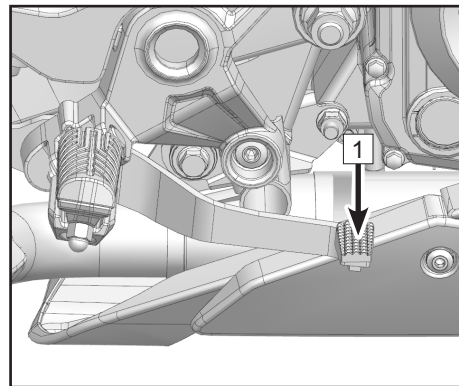
Le sélecteur de vitesse 2 se trouve sur le côté gauche du moteur.



COMMANDES ET CARACTÉRISTIQUES

Pédale de frein arrière

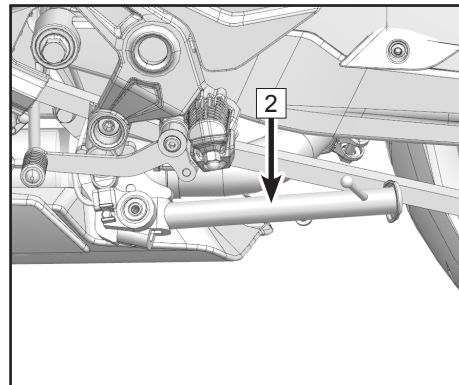
La pédale de frein arrière **1** se trouve sur le côté droit du moteur. Appuyez sur la pédale de frein arrière pour activer le frein arrière.



Béquille

La béquille latérale **2** se trouve sur le côté gauche du véhicule; elle sert à garer la moto de façon stable.

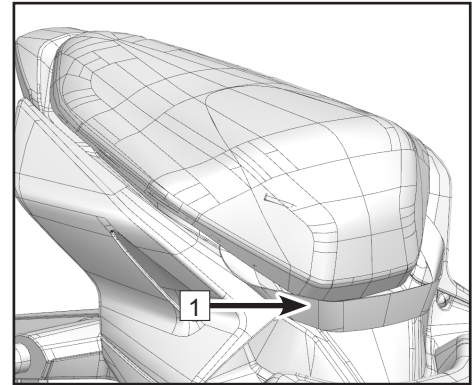
REMARQUE : Lorsque la béquille est abaissée, le système de démarrage du moteur s'active seulement lorsque le sélecteur de vitesse est en position neutre.



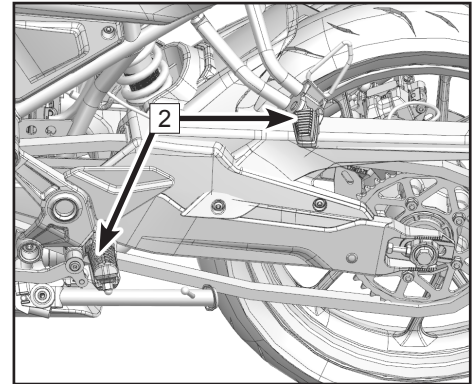
COMMANDES ET CARACTÉRISTIQUES

Poignée de retenue et repose-pieds passager

Une poignée de maintien **1** pour passager est fixée sur le siège de la moto pour permettre au passager de rester en place pendant la conduite.



Les repose-pieds **2** installés sur la moto conviennent aussi bien au conducteur qu'au passager.



COMMANDES ET CARACTÉRISTIQUES

Instruments du tableau de bord

REMARQUE

Du fait des mises à jour continues des réglages, fonctions et versions logicielles des instruments du tableau de bord, et aussi des nouvelles configurations des motos, certains contenus du tableau de bord peuvent être différents. Reportez-vous de façon sélective à cette section en fonction de votre véhicule.

Écran d'affichage du tableau de bord

L'écran d'affichage est situé à l'avant du guidon et comprend deux zones de fonction :

- 1: Zone Indicateurs du tableau de bord
- 2: Zone Affichage du tableau de bord

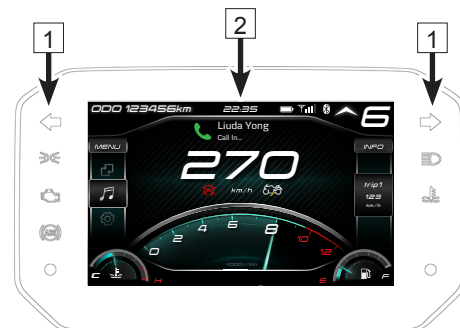
Activation et essai

Activation

Les fonctions affichées sur l'écran sont activées dès que le véhicule est mis en marche.

Test

Dès son activation, le tableau de bord passe en mode d'auto-vérification. Dans ce mode, une vidéo d'animation est présentée et les voyants indicateurs s'allument. Tous les boutons de commande et de sélection restent inopérants jusqu'à ce que l'auto-vérification soit terminée.








COMMANDES ET CARACTÉRISTIQUES



Indicateurs du tableau de bord



COMMANDES ET CARACTÉRISTIQUES

Réf.	Symbole	Fonction	
1		Clignote	L'indicateur clignote lorsque le clignotant est allumé.
2		Reste allumé	L'indicateur Feux de position est allumé lorsque les feux de position sont activés.
3		Reste allumé	Lorsque le circuit électrique est connecté et le moteur coupé, l'indicateur de défaillance EFI est allumé. Si le moteur n'est pas coupé et que l'indicateur est toujours allumé, cela signifie que le véhicule a détecté une anomalie, et cette anomalie reste affichée sur le tableau de bord pour avertissement. Dans ce cas, arrêtez le véhicule en respectant les règles de la circulation et contactez votre concessionnaire CFMOTO aussitôt que possible.
4		Clignote / Reste allumé	Lorsque le véhicule est mis en marche, l'indicateur ABS clignotera jusqu'à ce que la moto atteigne une vitesse supérieure à 3 à 5 mi/h (5 à 8 km/h) puis restera éteint jusqu'à la prochaine mise en marche ou si une anomalie est détectée. Ceci est normal. Si une panne est détectée, l'indicateur ABS s'allume et reste allumé. La fonction ABS est automatiquement désactivée en cas de panne, mais le véhicule garde son plein pouvoir de freinage de base. Dans ce cas, conduisez à vitesse réduite, évitez le freinage brusque et contactez votre concessionnaire CFMOTO aussitôt que possible.
5		Reste allumé	L'indicateur Feu de route reste illuminé lorsque le phare avant est allumé.

COMMANDES ET CARACTÉRISTIQUES

6		Reste allumé	L'indicateur de température du liquide de refroidissement clignotera si le liquide de refroidissement est trop chaud. Dans ce cas, arrêtez le véhicule en respectant les règles de la circulation et attendez que la température du liquide de refroidissement revienne à une plage normale. Si l'indicateur de température du liquide de refroidissement clignote souvent, contactez votre concessionnaire CFMOTO aussitôt que possible.
7			Lorsque l'indicateur de contrôle de luminosité est activé, le tableau de bord ajuste automatiquement la luminosité en fonction de la lumière ambiante extérieure.

COMMANDES ET CARACTÉRISTIQUES

Affichage du tableau de bord

Information facultative 1

Vous pouvez, à partir du menu, choisir un message qui s'affichera ici ou sur l'interface d'accueil.

Pressez ▲ pour choisir Info facultative 1.

Info facultative 1 : TRIP 1, TRIP 2, ODO.

Menu

Pressez ENT pour accéder au menu et reportez-vous à la section Menu du tableau de bord.



COMMANDES ET CARACTÉRISTIQUES

Température du liquide de refroidissement

La température du liquide de refroidissement s'affiche sous la forme de plusieurs barres. Plus il y a de barres allumées, plus la température du liquide de refroidissement est élevée. Si la dernière barre vire au rouge, le liquide de refroidissement a atteint une température dangereuse qui dépasse 115°C.

⚠ AVERTISSEMENT

Une trop haute température peut endommager le moteur.

Si le liquide de refroidissement atteint le niveau dangereux, arrêtez le véhicule en respectant les règles locales de la circulation et attendez que la température du liquide de refroidissement revienne à une plage normale.

Une fois le système de refroidissement totalement refroidi, ajoutez du liquide réfrigérant jusqu'au niveau prescrit.

Dans des conditions de conduite normale, si le liquide réfrigérant atteint la température dangereuse, contactez un centre de service après-vente CFMOTO agréé aussitôt que possible.



COMMANDES ET CARACTÉRISTIQUES



Rappel de changement de vitesse

Vous pouvez déclencher un rappel de changement de vitesse dans le menu. Ce rappel vous permet de changer de vitesse lorsque la vitesse du moteur atteint la gamme recommandée de changement des vitesses.

Affichage de la vitesse

La vitesse courante du véhicule s'affiche ici. Le point mort (neutre) est vert.

COMMANDES ET CARACTÉRISTIQUES



Information facultative 2

Vous pouvez, à partir du menu, choisir un message qui s'affichera ici ou sur l'interface d'accueil.

Pressez ▼ pour choisir l'information facultative 2.

Info facultative 2 : Kilométrage, Tension de la batterie, Économie de carburant instantanée, Durée du parcours, TRIP 1 (totalisateur partiel 1), Durée du parcours, TRIP 2, Durée totale du parcours, Économie moyenne de carburant TRIP 1, Économie moyenne de carburant TRIP 2 et Économie totale de carburant, Vitesse moyenne TRIP 1, Vitesse moyenne TRIP 2 et Vitesse moyenne totale.

Niveau de carburant disponible

Le niveau de carburant disponible s'affiche à l'aide de plusieurs barres. Moins il y a de barres allumées, moins il y a de carburant dans le réservoir d'essence. Lorsque l'icône de carburant vire au jaune, le carburant restant est proche de la limite.

Lorsque le carburant restant approche de la limite, veuillez faire le plein aussitôt que possible. Une trop petite quantité de carburant peut endommager la pompe à essence.

COMMANDES ET CARACTÉRISTIQUES

Vitesse

La vitesse actuelle est affichée ici.

Les km/h métriques et les mph impériaux peuvent être commutés via le menu.

Horloge

L'heure actuelle est affichée ici.

Réglez l'heure actuelle via le menu.

Basculez entre une horloge de 12 heures et une horloge de 24 heures via le menu.

Identification d'un appel entrant

Lorsque l'instrument est connecté au téléphone via Bluetooth et reçoit un appel, l'appel entrant sera affiché dans cette zone. Appuyez sur le bouton ENT du guidon gauche pour répondre à l'appel, et appuyez sur le bouton ↶ du guidon gauche pour mettre fin à l'appel.

Bluetooth

Bluetooth est utilisé pour connecter les téléphones mobiles et les casques. Lorsque votre téléphone mobile est connecté à l'instrument de la moto via Bluetooth, cette zone affichera le logo Bluetooth, la force du signal et la puissance restante du téléphone mobile. Les fonctions de navigation, de musique et d'appel ne peuvent être utilisées que lorsque le téléphone est correctement connecté à la moto.



COMMANDES ET CARACTÉRISTIQUES



Indicateur de béquille

Lorsque vous déployez la béquille, son voyant indicateur s'allume. Dans ce cas, il est impossible de démarrer la moto à l'aide du levier des vitesses.

Indicateur d'arrêt

Lorsque le voyant indicateur d'arrêt est allumé, le commutateur d'arrêt du moteur est sur ARRÊT et le circuit électrique de la moto est déconnecté.

Régime du moteur (compte-tours)

L'unité de vitesse de rotation du moteur est de 1000 tours/minute.

Évitez un régime élevé du moteur pendant la période de rodage. Autant que possible, évitez en tout temps de laisser le régime du moteur s'approcher de la zone rouge afin de prolonger la durée de vie du moteur. Évitez un régime élevé jusqu'à ce que le moteur soit réchauffé.

COMMANDES ET CARACTÉRISTIQUES

Menu du tableau de bord

Réglez les paramètres du tableau de bord à l'aide du Menu du tableau de bord afin d'optimiser votre expérience de conduite.

Pressez le bouton Menu sur le commutateur de guidon côté gauche pour accéder au menu du tableau de bord.

AVERTISSEMENT

Le mode Menu est accessible uniquement lorsque la moto est garée et en sécurité.

Le bouton Menu est situé sur le commutateur de guidon côté gauche et permet d'activer les diverses fonctions du tableau de bord.



COMMANDES ET CARACTÉRISTIQUES

Pour l'interface d'accueil : pressez brièvement ici pour changer l'information facultative 1 et pressez longuement pour remettre à zéro les totalisateurs partiels (TRIP).

Pour le menu : pressez pour revenir au choix précédent du menu de premier niveau, du menu de deuxième niveau ou du menu de niveau inférieur.

Pour faire un appel téléphonique, pressez ici pour augmenter le volume.

Pour la musique : dans l'interface d'accueil, pressez ici longuement pour aller au morceau précédent, et pressez encore pour augmenter le volume. Dans l'interface Menu, pressez ici longuement pour aller au morceau précédent et pressez encore pour augmenter le volume.

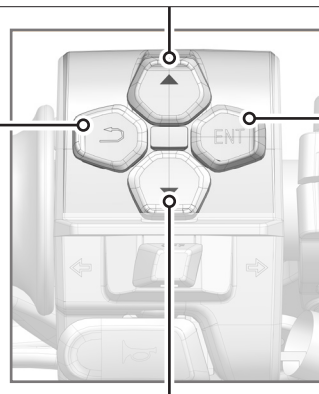
Pour le menu : pressez ici pour revenir au menu précédent.

Pour l'interface d'accueil, pressez ici pour éliminer la fenêtre déroulante par défaut.

Pour les appels téléphoniques : pressez ici pour terminer l'appel.

Pour la projection de l'écran : pressez ici pour revenir à l'interface de projection.

Pour la musique : pressez ici pour revenir à l'interface d'accueil.



Pour l'interface d'accueil : pressez ici pour accéder au menu. Pressez ici longuement pour écouter de la musique (lorsque Bluetooth est connecté, mais ne joue aucune musique).

Pour le menu : pressez ici pour accéder au prochain menu ou confirmer votre choix.

Pour les appels téléphoniques : pressez ici pour répondre à l'appel.

Pour la musique : dans l'interface d'accueil, pressez ici pour accéder au menu, et pressez longuement pour arrêter (pause) ou pour écouter la musique. Dans l'interface Menu, pressez ici pour arrêter ou écouter la musique.

Pour l'interface d'accueil : pressez ici pour choisir l'information facultative 1, et pressez longuement pour remettre à zéro la consommation moyenne de carburant, la vitesse moyenne ou la durée du parcours.

Pour le menu : pressez longuement pour aller au prochain choix du menu de premier niveau, puis pressez pour aller au prochain choix du menu de deuxième niveau ou de niveau inférieur.

Pour la musique : dans l'interface d'accueil, pressez ici pour aller au prochain morceau, et pressez longuement pour abaisser le volume. Dans l'interface Menu, pressez ici pour aller au prochain morceau pour abaisser le volume.

Remarque : La priorité des boutons est Appel, musique, puis les autres fonctions.

COMMANDES ET CARACTÉRISTIQUES

Paramètres du tableau de bord

Dans les paramètres du tableau de bord, vous pouvez régler et activer les fonctions suivantes :

Choix du style d'affichage Unités

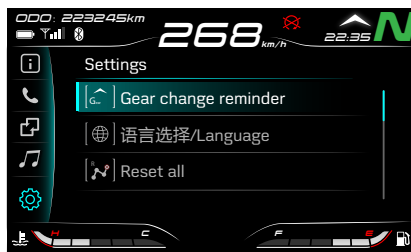
Connexion d'appareils Information facultative

Réglage de luminosité Remise à zéro de totalisateur partiel (TRIP)

Alarme de survitesse Rappel de changement de vitesse

Réglages de l'heure Langue

Réinitialisation des paramètres



COMMANDES ET CARACTÉRISTIQUES

Choix du style d'affichage

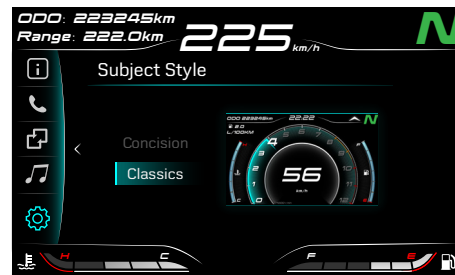
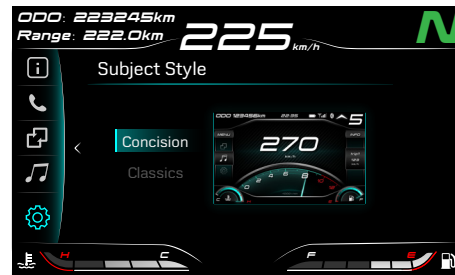
L'interface d'accueil du tableau de bord comprend plusieurs ensembles de styles d'affichage. Vous pouvez choisir votre style préféré dans le menu.

Pressez ENT pour accéder à l'interface Menu;

Pressez Δ ou ∇ pour choisir les paramètres (Settings), puis pressez ENT pour accéder à l'interface des paramètres;

Pressez Δ ou ∇ pour choisir le **style d'affichage**, puis pressez ENT pour valider;

Pressez Δ ou ∇ pour choisir votre style préféré, puis pressez ENT pour confirmer votre choix.



COMMANDES ET CARACTÉRISTIQUES

Unités

Changez les unités de vitesse, de l'heure et de la température afin de les adapter à vos préférences.

Pressez ENT pour accéder à l'interface Menu;

Pressez Δ ou ∇ pour choisir les paramètres (Settings), puis pressez ENT pour accéder à l'interface des paramètres;

Pressez Δ ou ∇ pour choisir les **unités**, puis pressez ENT pour valider;

Pressez Δ ou ∇ pour choisir l'unité que vous voulez changer (**Vitesse/Format de l'heure /Température**), puis pressez ENT pour valider;

Pressez Δ ou ∇ pour choisir l'unité, puis pressez ENT pour confirmer votre choix.

km/h..... mph

24 heures 12 heures

°C..... °F



COMMANDES ET CARACTÉRISTIQUES

Connexion d'appareils

Les fonctions contrôlant la navigation, les appels téléphoniques et la musique peuvent être utilisées dès que votre casque moto est relié au tableau de bord via Bluetooth.

Pressez ENT pour accéder à l'interface Menu;

Pressez \triangle ou ∇ pour choisir les paramètres (Settings), puis pressez ENT pour accéder à l'interface des paramètres;

Suivez les étapes suivantes pour connecter votre téléphone via Bluetooth :

- Pressez \triangle ou ∇ pour choisir **Connection**, puis pressez ENT pour valider;
- Pressez \triangle ou ∇ pour choisir **Mobile Devices**, puis pressez ENT pour valider;
- Assurez-vous que la fonction **Bluetooth** du téléphone portable à connecter est activée;
- Pressez \triangle ou ∇ pour choisir votre téléphone, puis pressez ENT pour vous connecter.



COMMANDES ET CARACTÉRISTIQUES

Si votre portable a été correctement connecté, pressez \triangle ou ∇ pour choisir **Mobile Devices**, pressez ENT pour aller à l'interface, puis choisissez l'identification Bluetooth adéquate pour vous connecter.

Suivez les étapes suivantes pour connecter la fonction Bluetooth du casque :

Pressez \triangle ou ∇ pour choisir **Equipment Connection**, puis pressez ENT pour valider;

Pressez \triangle ou ∇ pour choisir le casque (**Helmet 1** ou **Helmet 2**), puis pressez ENT pour vous connecter;

Assurez-vous que la fonction Bluetooth du casque à connecter est activée.



COMMANDES ET CARACTÉRISTIQUES

Information facultative

Vous pouvez choisir un message dans les fonctions Optional Info 1 (Information facultative) et Optional Info 2 pour l'afficher sur l'interface d'accueil.

Pressez ENT pour accéder à l'interface Menu;

Pressez Δ ou ∇ pour choisir les paramètres (Settings), puis pressez ENT pour accéder à l'interface des paramètres;

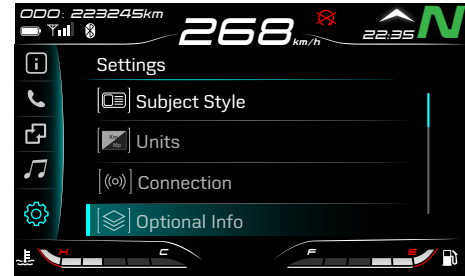
Pressez Δ ou ∇ pour choisir Optional Info (Information facultative), puis pressez ENT pour valider;

Pressez Δ ou ∇ pour choisir **Optional Info 1** ou **Optional Info 2**, puis pressez ENT pour valider;

Pressez Δ ou ∇ pour choisir l'information que vous voulez voir affichée sur l'interface d'accueil, puis pressez ENT pour confirmer votre choix;

Optional Info 1 : **TRIP 1 (totalisateur partiel 1), TRIP 2, ODO;**

Optional Info 2 : **Kilométrage, Tension de la batterie, Économie de carburant instantanée, Durée du parcours, TRIP 1 (totalisateur partiel 1), Durée du parcours, TRIP 2, Durée totale du parcours, Économie moyenne de carburant TRIP 1, Économie moyenne de carburant TRIP 2 et Économie totale de carburant, Vitesse moyenne TRIP 1, Vitesse moyenne TRIP 2 et Vitesse moyenne totale.**



COMMANDES ET CARACTÉRISTIQUES

Réglage de la luminosité

Vous pouvez régler manuellement la luminosité du tableau de bord, ou activer la commande automatique de luminosité qui utilise un commutateur capteur photosensible destiné à ajuster automatiquement la luminosité du tableau de bord en fonction de la lumière ambiante).

Pressez ENT pour accéder à l'interface Menu;

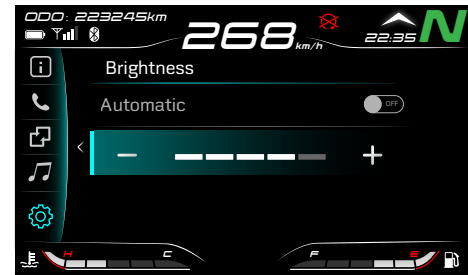
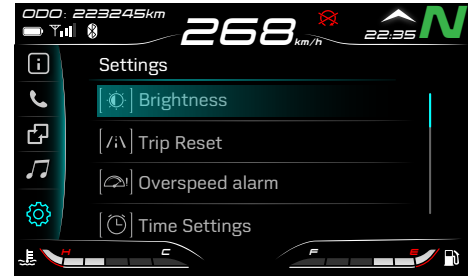
Pressez Δ ou ∇ pour choisir les paramètres (Settings), puis pressez ENT pour accéder à l'interface des paramètres;

Presser Δ ou ∇ pour choisir **Brightness** (réglage de la luminosité), puis pressez ENT pour valider;

Presser ENT pour activer ou désactiver le réglage automatique de la luminosité;

Une fois le réglage automatique de la luminosité désactivé, vous pouvez régler manuellement la luminosité;

Pressez \curvearrowright pour revenir à l'interface précédente.



COMMANDES ET CARACTÉRISTIQUES

Remise à zéro du totalisateur partiel (TRIP)

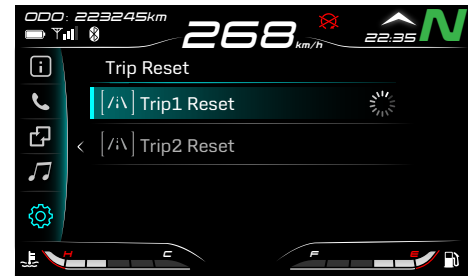
Vous pouvez remettre à zéro manuellement le totalisateur partiel, ce qui effacera les données relatives au trajet partiel parcouru.

Pressez ENT pour accéder à l'interface Menu;

Pressez Δ ou ∇ pour choisir les paramètres (Settings), puis pressez ENT pour accéder à l'interface des paramètres;

Pressez Δ ou ∇ pour choisir **Trip Reset** (remise à zéro totalisateur), puis pressez ENT pour valider;

Pressez Δ ou ∇ pour remettre à zéro le totalisateur partiel 1 (**TRIP 1**) ou le totalisateur partiel (**TRIP 2**), puis pressez ENT pour remettre à zéro.



COMMANDES ET CARACTÉRISTIQUES

Alarme de survitesse

L'indicateur d'alarme de survitesse vous rappelle que vous roulez trop vite et que vous avez dépassé la vitesse préréglée. Vous ne devez jamais dépasser la limite de vitesse permise sur une route.

DANGER

Une vitesse excessive augmente le risque de perdre le contrôle du véhicule, ce qui entraînerait des accidents. Choisissez votre vitesse maximale en fonction de la charge de la moto, du terrain, de la visibilité, des conditions de conduite et des lois et règlements locaux en vigueur; ne dépassez jamais la vitesse maximale permise.



COMMANDES ET CARACTÉRISTIQUES

Pressez ENT pour accéder à l'interface Menu;

Pressez \triangle ou ∇ pour choisir les paramètres (Settings), puis pressez ENT pour accéder à l'interface des paramètres;

Press \triangle ou ∇ pour accéder à la fonction **Overspeed Alarm**, (alarme de survitesse), puis pressez ENT pour valider;

Pressez ENT pour activer ou désactiver la fonction d'alarme de survitesse;

La vitesse programmable pour l'alarme peut être réglée après avoir activé l'alarme de survitesse;

Pressez \triangle ou ∇ pour régler la vitesse programmable (1 km/h par pression);

Pressez \curvearrowright pour revenir à l'interface précédente.



COMMANDES ET CARACTÉRISTIQUES

Réglage de l'heure

Vous pouvez régler l'affichage de l'heure sur l'interface d'accueil.

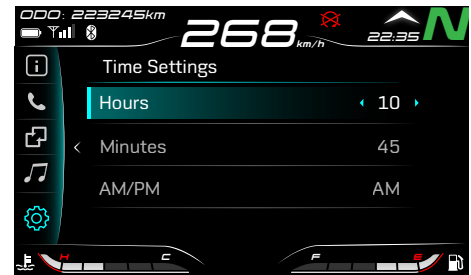
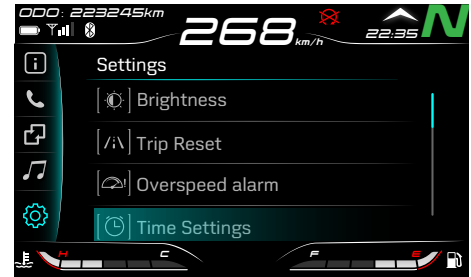
Pressez ENT pour accéder à l'interface Menu;

Pressez Δ ou ∇ pour choisir les paramètres (Settings), puis pressez ENT pour accéder à l'interface des paramètres;

Pressez Δ ou ∇ pour choisir la fonction **Time Settings** (réglage de l'heure), puis pressez ENT pour valider;

Pressez Δ ou ∇ pour choisir les **heures** ou les **minutes** et **AM/PM** (lorsque l'unité de temps est réglée sur 12 heures), puis pressez ENT pour valider;

Pressez Δ ou ∇ pour régler l'heure et l'unité de temps, puis pressez ENT pour confirmer votre choix.



COMMANDES ET CARACTÉRISTIQUES

Rappel de changement de vitesse

Passer les vitesses au bon régime moteur (tr/min) peut efficacement réduire les pauses entre passage des vitesses, protéger l'embrayage, etc. Activer et désactiver le rappel de changement de vitesse approprié peut vous aider à vous familiariser plus rapidement avec la moto.

La vitesse recommandée de passage à une vitesse supérieure est 6500 tr/min.

Pressez ENT pour accéder à l'interface Menu;

Pressez \triangle ou ∇ pour choisir les paramètres (Settings), puis pressez ENT pour accéder à l'interface des paramètres;

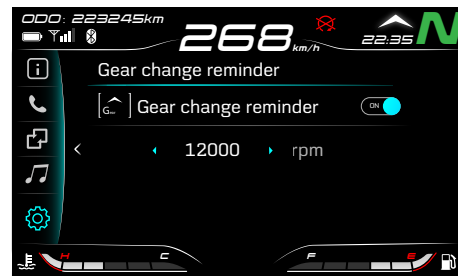
Pressez \triangle ou ∇ pour accéder à la fonction **Gear Change Reminder** (Rappel de changement de vitesse), puis pressez ENT pour valider;

Pressez ENT pour activer ou désactiver la fonction Gear Change Reminder;

La vitesse de rappel programmable peut être réglée après avoir activé la fonction Gear Change Reminder;

Pressez \triangle ou ∇ pour régler le régime moteur en tr/min (100 tr/min pour chaque pression);

Pressez \curvearrowright pour revenir à l'interface précédente.



COMMANDES ET CARACTÉRISTIQUES

Langue d'affichage

Vous pouvez régler la langue d'affichage du tableau de bord en fonction de vos préférences.

Pressez ENT pour accéder à l'interface Menu;

Pressez Δ ou ∇ pour choisir les paramètres (Settings), puis pressez ENT pour accéder à l'interface des paramètres;

Pressez Δ ou ∇ pour choisir **Language**, puis pressez ENT pour valider;

Pressez Δ ou ∇ pour choisir 中文 (chinois), **English** (anglais) ou **Espanol** (espagnol), puis pressez ENT pour confirmer votre choix.



COMMANDES ET CARACTÉRISTIQUES

Réinitialisation des paramètres

Vous pouvez remettre à l'état initial tous les paramètres du tableau de bord (paramètres préréglés en usine).

REMARQUE : Cette fonction ne peut pas remettre à zéro l'odomètre (ODO) et sa fonctionnalité associée.

Pressez ENT pour accéder à l'interface Menu;

Pressez \triangle ou ∇ pour choisir les paramètres (Settings), puis pressez ENT pour accéder à l'interface des paramètres;

Pressez \triangle ou ∇ pour aller à **Reset All** (Remise à l'état initial tous les paramètres préréglés en usine), puis pressez ENT pour valider votre choix;

Pressez \triangle ou ∇ pour choisir **NO** (non) ou **YES** (oui), puis pressez ENT pour confirmer votre choix.



COMMANDES ET CARACTÉRISTIQUES

Information relative au véhicule

Dans l'interface Information relative au véhicule, vous pouvez vérifier le contenu suivant :

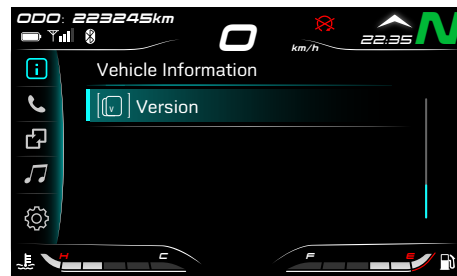
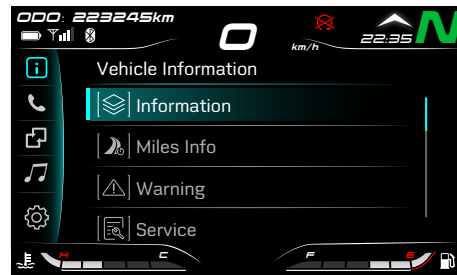
Information (Information générale)

Miles Info (Données sur le kilométrage)

Warning (Avertissement)

Service (Service d'entretien prévu)

Version



COMMANDES ET CARACTÉRISTIQUES

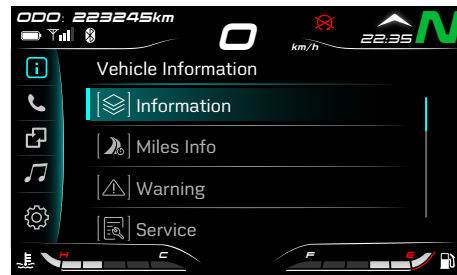
Information générale

Dans l'interface Information, vous pouvez voir la température du liquide de refroidissement, la tension de la batterie et la distance restante jusqu'au prochain remplissage de carburant.

Pressez ENT pour accéder à l'interface Menu;

Pressez Δ ou ∇ pour choisir **Vehicle Information**, puis pressez ENT pour accéder à l'interface d'information générale sur le véhicule;

Pressez Δ ou ∇ pour choisir **Information**, puis pressez ENT pour valider votre choix.



COMMANDES ET CARACTÉRISTIQUES

Données sur le kilométrage

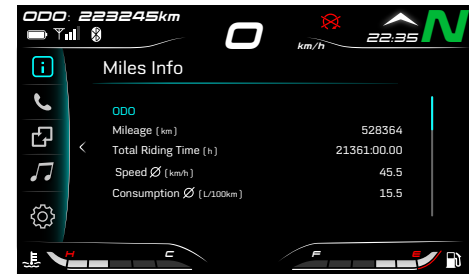
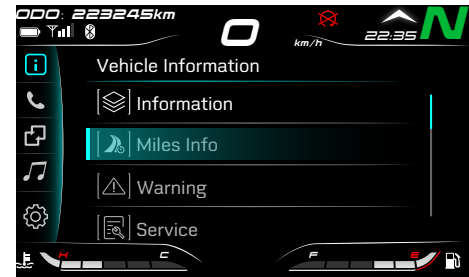
Dans l'interface Miles Info (données sur le kilométrage), vous pouvez vérifier les données relatives à l'odomètre (ODO), au totalisateur partiel 1 (TRIP 1), au totalisateur partiel 2 (TRIP 2), à la vitesse moyenne, à la consommation de carburant et à la durée totale du parcours.

Pressez ENT pour accéder à l'interface Menu;

Pressez Δ ou ∇ pour choisir **Vehicle Information**, puis pressez ENT pour accéder à l'interface d'information générale sur le véhicule;

Pressez Δ ou ∇ pour choisir **Miles Info** (données sur le kilométrage) et pressez ENT pour valider votre choix.

Pressez Δ ou ∇ pour passer de l'information relative à l'odomètre (ODO) ou à **TRIP 1** ou **TRIP 2**.



COMMANDES ET CARACTÉRISTIQUES

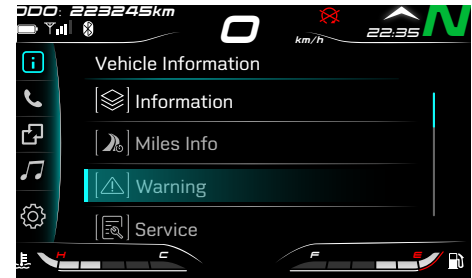
Avertissement

Dans l'interface Warning (avertissement), vous pouvez voir les anomalies ou les avertissements de défaut lorsque l'ordinateur du véhicule détecte une anomalie. Quand un défaut survient, éliminez-le aussitôt que possible et, au besoin, contactez un centre de service après-vente CFMOTO agréé.

Pressez ENT pour accéder à l'interface Menu;

Pressez longuement \triangle ou ∇ pour choisir **Vehicle Information**, (information générale sur le véhicule) puis pressez ENT pour accéder à l'interface d'information générale sur le véhicule;

Pressez \triangle ou ∇ pour choisir **Warning** (avertissement), puis pressez ENT pour valider votre choix.



COMMANDES ET CARACTÉRISTIQUES

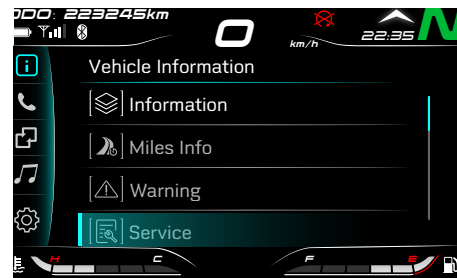
Service

Dans l'interface Service, vous pouvez voir l'information sur le prochain service d'entretien prévu du véhicule. Lorsque le kilométrage prévu pour l'entretien est atteint, le tableau de bord vous rappelle quand effectuer l'entretien prévu.

Pressez ENT pour accéder à l'interface Menu;

Pressez Δ ou ∇ pour choisir **Véhicule Information** (information générale sur le véhicule) puis pressez ENT pour accéder à l'interface d'information générale sur le véhicule;

Pressez Δ ou ∇ pour choisir **Service**, puis pressez ENT pour valider votre choix.

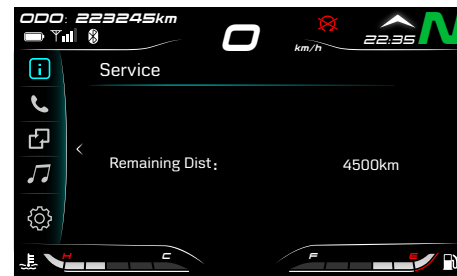


Réinitialisation du Rappel du service d'entretien

Dans l'interface Service, pressez ENT durant 10 secondes : un avis de confirmation s'affiche;

Confirmez votre choix pour effectuer la réinitialisation;

Vous pouvez également demander à un concessionnaire CFMOTO qualifié de réinitialiser la périodicité de l'entretien une fois terminé l'entretien périodique de votre moto.



COMMANDES ET CARACTÉRISTIQUES

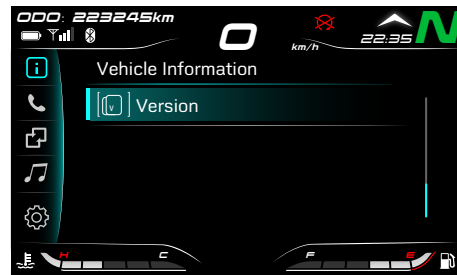
Version

Dans l'interface Version, vous pouvez voir les versions logicielle et matérielle du tableau de bord.

Pressez ENT pour accéder à l'interface Menu;

Pressez \triangle ou ∇ (information générale sur le véhicule), puis pressez ENT pour aller à l'interface d'information générale sur le véhicule;

Pressez \triangle ou ∇ to select **Version**, puis pressez ENT, puis pressez ENT pour valider votre choix.



COMMANDES ET CARACTÉRISTIQUES

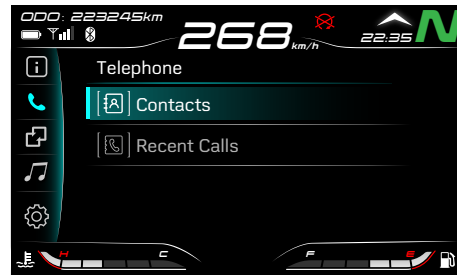
Téléphone

Dans l'interface Telephone, vous pouvez vérifier les contenus suivants :

Contacts

Recent Calls (Appels récents)

REMARQUE : Avant de pouvoir utiliser la fonction Téléphone, votre portable doit être correctement connecté, et le casque d'écoute téléphone devrait être connecté au tableau de bord.



COMMANDES ET CARACTÉRISTIQUES

Contacts

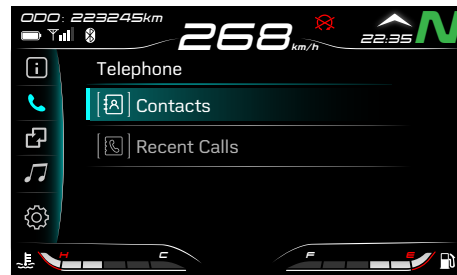
Dans l'interface Contacts, vous pouvez voir la liste des contacts enregistrés sur votre téléphone portable connecté via Bluetooth, ce qui vous permet d'appeler les numéros enregistrés.

Pressez ENT pour accéder à l'interface Menu;

Pressez \triangle ou ∇ pour choisir **Telephone**, puis pressez ENT pour aller à l'interface Téléphone;

Pressez \triangle ou ∇ pour choisir **Contacts**, puis pressez ENT pour valider votre choix;

Pressez \triangle ou ∇ pour choisir le numéro à appeler, puis pressez ENT pour composer le numéro.



COMMANDES ET CARACTÉRISTIQUES

Appels récents

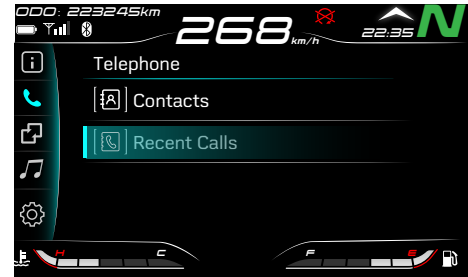
Dans l'interface Recent Calls (Appels récents), vous pouvez voir la liste des appels récents enregistrés sur votre téléphone portable connecté via Bluetooth, et faire des appels.

Pressez ENT pour accéder à l'interface Menu ;

Pressez Δ ou ∇ pour choisir **Telephone**, puis pressez ENT pour aller à l'interface Téléphone.

Pressez Δ ou ∇ to select **Recent Calls**, puis pressez ENT pour valider votre choix.

Pressez Δ ou ∇ pour choisir le numéro voulu dans la liste des appels récents, puis pressez ENT pour composer le numéro.



COMMANDES ET CARACTÉRISTIQUES

Interconnexion de téléphone (si le véhicule en est équipé)

L'interface Phone Connection (Interconnexion de téléphone) vous permet d'utiliser la fonction de projection sur l'écran lorsque le téléphone est connecté.

Vous disposez alors de deux options sur l'appli MOTOPLAY pour accéder à cette fonction :

1. La connexion facile
2. Scanner le code QR

Option 1:

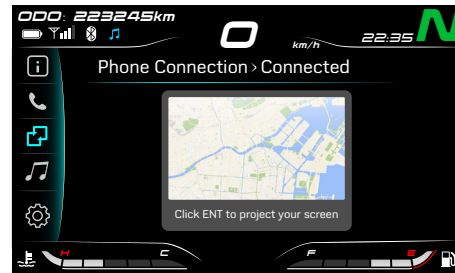
Ouvrez l'appli MOTOPLAY et choisissez Easy Connection (Connexion facile) pour accéder à l'interface de projection.

Option 2:

Pressez ENT pour accéder à l'interface Menu;

Pressez \triangle ou ∇ pour choisir **Phone Connection** (interconnexion de téléphone), puis pressez ENT pour valider;

Ouvrez l'appli MOTOPLAY et choisissez **Scan the QR Code** (Scanner le code QR) pour accéder à l'interface de projection.



COMMANDES ET CARACTÉRISTIQUES

Lorsque la fonction Phone Connection (interconnexion de téléphone) est activée, les données de navigation peuvent être projetées sur l'interface d'interconnexion de téléphone.

Lorsque vous êtes dans l'interface de projection, pressez "RETURN" (Retour) pour revenir à la carte de navigation. Si aucune commande n'est émise, l'écran revient automatiquement à l'interface d'accueil après 30 secondes.

Pressez "RETURN" une nouvelle fois pour retourner au menu. Inversement, pressez deux fois ENT pour revenir à l'interface de projection.

Si vous désactivez l'appli MOTOPLAY ou si l'Internet est déconnecté, l'écran du tableau de bord revient automatiquement à l'interface d'accueil.

COMMANDES ET CARACTÉRISTIQUES

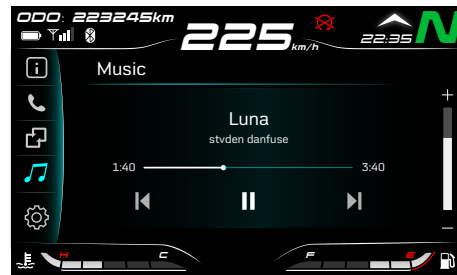
Music (Musique)

Dans l'interface Music (Musique), vous pouvez, via Bluetooth, écouter de la musique enregistrée sur votre téléphone et utiliser le tableau de bord pour les commandes habituelles: passer d'un morceau de musique à un autre (prochain ou précédent), faire une pause, continuer, régler le volume et autres fonctions.

Pressez ENT pour aller à l'interface Menu;

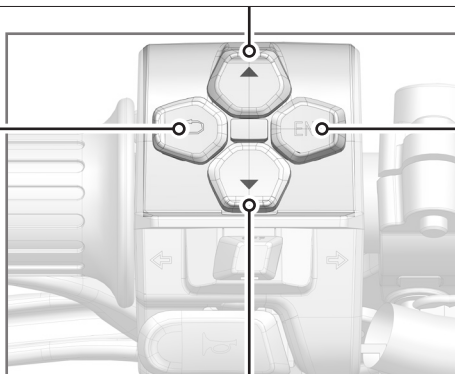
Pressez \triangle ou ∇ pour choisir **Music**, puis pressez ENT pour aller à l'interface Music.

Pour écouter de la musique enregistrée sur votre téléphone.



COMMANDES ET CARACTÉRISTIQUES

Pour de la musique : dans l'interface d'accueil, pressez ici longuement pour passer au morceau précédent ou pressez pour augmenter le volume. Dans l'interface Menu, pressez longuement pour passer au morceau précédent ou pressez ici pour augmenter le volume.



Pour de la musique : sur le menu, revenir à l'interface d'accueil.

Pour de la musique : sur l'interface d'accueil, presser ici pour accéder au menu et pressez longuement pour faire une pause ou pour écouter. Pour de la musique : dans l'interface Menu, presser ici pour faire une pause ou pour écouter.

Pour de la musique : dans l'interface d'accueil, pressez ici longuement pour passer au prochain morceau ou pressez pour abaisser le volume. Dans l'interface Menu, pressez longuement pour passer au prochain morceau ou pressez ici pour abaisser le volume.

UTILISATION DU VÉHICULE

Période de rodage

La période de rodage de ce véhicule correspond aux premiers 1000 km (600 miles). Veuillez maintenir le véhicule conformément aux prescriptions de la période de rodage.

Il est important de porter une attention particulière aux éléments suivants durant cette période :

1. Ne faites pas tourner le moteur à plein régime juste après son démarrage. Laissez le moteur tourner au ralenti durant 2 à 3 minutes pour qu'il chauffe et pour permettre à l'huile d'en lubrifier toutes les pièces.
2. Ne laissez pas tourner le moteur à régime élevé lorsque le sélecteur de vitesse est sur la position neutre.
3. Au cours de la période de rodage, CFMOTO recommande le régime moteur maximal comme ci-dessous :

Distance totale indiquée par l'odomètre	Régime maximal du moteur
0 à 500 km (0 à 300 miles)	4000 tr/min
500 à 1000 km (300 à 600 miles)	6000 tr/min

DANGER

Les pneus neufs sont glissants : si vous êtes trop intrépide, vous pouvez perdre le contrôle de la moto et subir des blessures. Assurez-vous que la pression des pneus, lors de la période de rodage de 1000 km, soit conforme à la valeur précisée. Évitez les freinages et accélérations brusques, ainsi que les virages serrés durant la période de rodage.

UTILISATION DU VÉHICULE

Inspection quotidienne de sécurité

La vérification des éléments ci-dessous avant toute excursion quotidienne aidera à maintenir la sûreté et la fiabilité de votre véhicule. Si quelque chose vous semble inhabituel, reportez-vous à la section Entretien du manuel ou contactez votre concessionnaire. Ne conduisez pas le véhicule en cas de condition anormale, car cela pourrait mener à de sérieux dommages ou à des accidents.

Élément	Inspection
Liquide de refroidissement	Vérifiez que le niveau du liquide dans le réservoir du liquide de refroidissement est au niveau approprié.
Huile moteur	Vérifiez que le niveau de l'huile moteur est au niveau approprié.
Réservoir de liquide du frein arrière	Vérifiez que le réservoir de liquide du frein arrière est au niveau approprié.
Roue arrière	Vérifiez que la roue et le pneu arrière ne montrent pas d'usure excessive ni de craquelures ou coupures, d'objets incrustés ou d'autres dommages. Assurez-vous que la pression du pneu arrière est dans la gamme acceptable.
Frein arrière	Vérifiez l'épaisseur de la plaquette du frein arrière. Vérifiez l'épaisseur du disque du frein arrière et assurez-vous que le disque n'est ni sale ni endommagé.
Chaîne et pignons	Assurez-vous que la chaîne et les pignons de transmission ne sont ni sales ni usés, et vérifiez que la tension de la chaîne est convenable.
Roue avant	Vérifiez que la roue et le pneu avant ne montrent pas d'usure excessive ni de craquelures ou coupures, d'objets incrustés ou d'autres dommages. Assurez-vous que la pression du pneu avant est dans la gamme acceptable.
Frein avant	Vérifiez l'épaisseur de la plaquette du frein avant. Vérifiez l'épaisseur du disque du frein avant et assurez-vous que le disque n'est ni sale ni endommagé.

UTILISATION DU VÉHICULE

Réservoir de liquide de frein avant	Vérifiez que le réservoir de liquide du frein avant est au niveau approprié.
Porte-bagages (si la moto en est équipée)	Vérifiez que le porte-bagages est bien fixé et assurez-vous que la hauteur du porte-bagages est conforme aux règlements locaux.
Tableau de bord	Vérifiez les indicateurs de panne sur le tableau de bord.
Niveau du carburant	Assurez-vous que le réservoir de carburant est suffisamment plein.
Rétroviseurs	Assurez-vous que les rétroviseurs ont un angle de vue optimal adéquat.
Éclairage	Assurez-vous que tous les feux fonctionnent correctement et que la hauteur du feu de route avant est conforme aux règlements locaux.
Pièces de commande	Vérifiez que le guidon, la direction, le frein avant et le frein arrière, l'accélérateur et tous les commutateurs fonctionnent adéquatement.
Béquille latérale	Vérifiez que le ressort de rappel de la béquille latérale n'est ni desserré ni endommagé.
Bouton d'arrêt	Vérifiez que le bouton d'arrêt fonctionne adéquatement.

DANGER

Vérifiez toujours le véhicule avant de le piloter.

L'utilisateur doit détenir un permis de conduire valide pour le véhicule avant de le piloter.

Apprenez les règlements locaux et n'utilisez pas la moto dans les zones où de tels véhicules sont interdits.

Ne mettez pas en marche la moto dans un endroit fermé ou un endroit sans système de ventilation adéquat. Les gaz d'échappement produits lors du fonctionnement du moteur peuvent provoquer des pertes de conscience, voire la mort.

UTILISATION DU VÉHICULE

Préparation au démarrage

Asseyez-vous sur le siège et relevez la béquille latérale du véhicule.

Tournez le contacteur d'allumage sur la position ON (marche).

Placez le sélecteur de vitesse sur la position Neutre.

Tournez le bouton d'arrêt sur la position "Ⓢ".

Appuyez sur le bouton de démarrage.

ATTENTION

Faire tourner le moteur à régime élevé lorsqu'il fait froid risque de réduire la durée de vie du moteur. Réchauffez toujours le moteur à faible régime.

Ne démarrez pas la moto avec le bouton de démarrage tant que l'auto-inspection affichée sur le tableau de bord n'est pas terminée.

Actionnez le levier d'embrayage et sélectionnez une vitesse alors que la béquille est relevée : la moto peut démarrer.

Lorsque le levier des vitesses est en position Neutre alors que la béquille est relevée, la moto peut démarrer.

Si vous sélectionnez une vitesse avec la béquille abaissée, le moteur s'arrêtera.

Ne pressez pas le contacteur de démarrage pendant plus de cinq (5) secondes, sinon la batterie risque de se décharger rapidement. Attendez au moins 15 secondes avant de presser de nouveau le contacteur de démarrage.

Il est recommandé de ne pas laisser le moteur de la moto tourner au ralenti pendant plus de 30 minutes, car cela provoquera une surchauffe de la batterie et en réduira la durée de vie utile.

UTILISATION DU VÉHICULE

Démarrage de la moto

Activez le levier d'embrayage, passez le sélecteur de vitesse à la 1ère vitesse, puis relâchez progressivement le levier d'embrayage tout en accélérant légèrement en utilisant la poignée de l'accélérateur.

Passage des vitesses et conduite

Activez le levier d'embrayage et relâchez l'accélérateur.

Passez le sélecteur sur une vitesse plus élevée (2,3,4,5,6) selon le besoin.

Relâchez le levier d'embrayage puis actionnez en même temps et lentement l'accélérateur pour compléter le passage à la vitesse souhaitée.

Tenez en tout temps le guidon avec les deux mains lorsque vous actionnez la poignée de l'accélérateur.

UTILISATION DU VÉHICULE

AVERTISSEMENT

Évitez tout changement de charge brusque ou tout freinage brusque, car cela peut vous faire perdre le contrôle du véhicule.

Ajustez la vitesse en fonction de l'état des routes et des conditions autour de vous.

Lorsque le régime moteur est élevé, ne passez pas à un rapport inférieur. Relâchez d'abord l'accélérateur et réduisez le régime du moteur.

Tous les réglages et ajustements pour l'utilisation du véhicule doivent être effectués pendant que le véhicule est à l'arrêt.

Le passager doit être bien assis sur le siège passager avec ses pieds bien appuyés sur les repose-pieds arrière, porter un casque et toute autre protection de sécurité, et se tenir à la taille du conducteur avec les deux mains ou bien tenir la poignée de retenue.

Conformez-vous au code de la route local en ce qui concerne l'âge minimum d'un passager.

UTILISATION DU VÉHICULE

AVERTISSEMENT

Conformez-vous à tous les règlements locaux de la circulation. Roulez prudemment et en essayant d'anticiper toute source de danger éventuel.

Lorsque les pneus sont froids, ils adhèrent moins bien à la route. Faites attention et conduisez à vitesse moyenne sur plusieurs kilomètres jusqu'à ce que les pneus atteignent leur température adéquate pour la route.

Ne dépassez pas la charge utile autorisée. La charge utile admissible inclut le poids du véhicule avec le réservoir de carburant plein, plus le poids du conducteur, du passager et des bagages.

Des bagages qui glissent affecteront la maniabilité du véhicule : assurez-vous que les bagages soient solidement arrimés sur le véhicule et que leur largeur ne dépasse pas 0,15 m de chaque côté du guidon.

En cas d'accident, les dommages résultant d'une chute pourraient être plus sérieux qu'il n'y paraît. Inspectez le véhicule complètement pour vous assurer qu'il est sécuritaire, ou amenez-le chez un concessionnaire CFMOTO pour vérification.

Un passage des vitesses incorrect peut occasionner des dommages à la transmission.

Actionnez l'accélérateur en fonction des conditions de la route et de la météo. Ne changez pas de vitesse et actionnez prudemment l'accélérateur dans les virages.

UTILISATION DU VÉHICULE

Freinage

Relâchez l'accélérateur lorsque vous appliquez les freins, et utilisez le frein des roues avant et arrière en même temps pour freiner.

Finissez de freiner avant de prendre un virage, et passez à un rapport inférieur en fonction de la vitesse voulue.

Sur les longues distances en pente descendante, utilisez le frein moteur par compression et passez à des rapports inférieurs, mais ne laissez pas tourner le moteur à régime élevé. Lorsque vous utilisez l'effet du frein moteur, cela permet de réduire le pouvoir de freinage exigé du système de freinage, et aussi à réduire la possibilité de surchauffe.

AVERTISSEMENT

L'humidité et la saleté nuisent au système de freinage. Freinez prudemment plusieurs fois de suite afin d'éliminer l'humidité et d'enlever la saleté des plaquettes et des disques de frein.

Si le levier du frein à main et la pédale du frein semblent mous durant le freinage, cessez de rouler jusqu'à ce que le système de freinage soit entièrement vérifié et le défaut éliminé.

Levez votre pied de la pédale de frein lorsque vous ne freinez pas. Une longue pression sur la pédale du frein provoquera la surchauffe de la garniture du frein et un frottement excessif, ce qui réduira la durée de vie et nuira au fonctionnement sécuritaire des freins.

Lorsque vous transportez un passager ou des bagages, la distance de freinage sera plus longue. Veillez à ajuster le temps de freinage en fonction de la charge du véhicule.

Lorsque le système ABS est activé, la puissance de freinage de la moto est maximum même sur des surfaces offrant une mauvaise adhérence des pneus au sol (par ex., sur terrain sablonneux, humide ou glissant) et ne bloquera pas les roues.

UTILISATION DU VÉHICULE

Stationnement

Arrêtez la moto avec le frein.

Placez le sélecteur de vitesse sur la position Neutre.

Tournez le contacteur d'allumage sur la position OFF.

Garez la moto sur un sol ferme et plat.

Utilisez la béquille latérale pour soutenir le véhicule.

Tournez le guidon vers la gauche à un angle maximum, puis verrouillez le guidon à l'aide de la clé.

Enlevez la clé et gardez-la.

AVERTISSEMENT

Lorsque le moteur tourne, ne laissez pas le véhicule sans surveillance.

Assurez-vous de ne laisser aucune personne non autorisée utiliser votre véhicule.

Verrouillez le guidon lorsque vous laissez le véhicule sans surveillance.

Lorsque vous venez de couper le moteur, certaines pièces seront brûlantes. Ne touchez aucune pièce comme le pot d'échappement, le système de refroidissement, le moteur ou le circuit de freinage avant que le véhicule soit complètement refroidi.

Ne garez pas votre véhicule près de matières facilement inflammables ou explosives. Les pièces très chaudes risquent d'enflammer ces matières.

Ne pas suivre les procédures adéquates pour garer la moto peut entraîner une chute ou un renversement du véhicule, ce qui causera de sérieux dommages.

CONDUITE DU VÉHICULE EN TOUTE SÉCURITÉ

Technique de conduite de la moto en toute sécurité

Les précautions suivantes doivent être prises pour un usage quotidien de la moto et elles doivent être scrupuleusement respectées pour une conduite sûre et efficace du véhicule :

- Pour votre sécurité, une protection des yeux et un casque homologué sont vivement recommandés. Vous devez être au courant des règles de sécurité avant de piloter la moto. Des gants et des chaussures convenables doivent également être portés pour une protection supplémentaire.
- Portez des vêtements protecteurs durant la conduite en cas de collision avec d'autres véhicules. Sans vêtements protecteurs adéquats, les risques de blessures sont accrus.
- Avant de changer de voie, regardez par-dessus votre épaule pour vous assurer que la voie est libre. Ne vous fiez pas uniquement à vos rétroviseurs. Vous devez évaluer avec discernement la distance et la vitesse des autres véhicules, sinon des accidents peuvent survenir.
- Lorsque vous gravissez des pentes raides, utilisez un rapport inférieur pour maintenir plus de puissance et de couple moteur, plutôt que de surcharger le moteur.
- Lorsque vous freinez, appliquez les freins avant et arrière en même temps. En appliquant un seul frein pour un freinage brusque peut entraîner un dérapage et une perte de contrôle de la moto.
- Lorsque vous descendez de longues pentes, contrôlez la vitesse du véhicule en relâchant l'accélérateur. Utilisez les freins avant et arrière pour le freinage auxiliaire.
- Si vous roulez sur une route mouillée, fiez-vous davantage à l'accélérateur qu'aux freins avant et arrière pour contrôler la vitesse du véhicule. L'accélérateur doit également être utilisé judicieusement pour éviter un dérapage de la roue arrière durant une accélération ou une décélération rapide.

CONDUITE DU VÉHICULE EN TOUTE SÉCURITÉ

- Rouler à la vitesse appropriée et éviter toute accélération inutile sont importants non seulement pour des raisons de sécurité et de plus faible consommation de carburant, mais aussi pour assurer une plus longue durée de vie du véhicule et une conduite moins bruyante.
- Lorsque vous roulez par temps pluvieux ou sur des routes meubles, la performance du véhicule diminuera. Dans de telles conditions, toutes vos actions doivent être plus douces et souples. Une accélération, un freinage ou un virage effectués brusquement peut entraîner une perte de contrôle de la moto.
- Pratiquez vos compétences de conduite. Dans une zone bien dégagée, exercez-vous prudemment, entraînez-vous à ralentir et à serrer le réservoir de carburant entre les genoux pour une meilleure stabilité. Lorsqu'une accélération rapide est nécessaire, par exemple pour un dépassement, passez à un rapport inférieur pour obtenir la puissance nécessaire.
- Ne rétrogradez pas à un régime moteur élevé, cela évitera d'endommager le moteur.
- Évitez l'emploi inutile de bandes de tissu car elles risquent d'empêtrer le pilote ou d'être prises dans la moto.

CONDUITE DU VÉHICULE EN TOUTE SÉCURITÉ

Précautions supplémentaires pour la conduite à grande vitesse

Freins : Le freinage est très important, en particulier lorsque vous roulez à grande vitesse. Il ne faut pas trop forcer les freins. Vérifiez et remplacez les plaquettes plus souvent de façon à obtenir une meilleure performance.

Maniabilité : Un desserrement des pièces associées à la maniabilité peut provoquer une perte de contrôle de la moto. Assurez-vous que le guidon tourne librement mais sans secousse, et que les roues tournent sans secousse ni relâchement.

Pneus : La conduite à grande vitesse exige que les pneus soient en bonne condition. Des pneus en bon état garantissent une conduite sécuritaire. Vérifiez leur état général, gonflez-les à la bonne pression et vérifiez l'équilibre des roues.

Carburant : Ayez suffisamment de carburant dans le réservoir pour une conduite à grande vitesse.

Huile moteur : Pour éviter une défaillance du moteur qui pourrait entraîner une perte de contrôle de la moto, veillez à ce que le niveau d'huile soit toujours entre les lignes repères minimum et maximum.

Liquide de refroidissement : Afin d'éviter toute surchauffe, vérifiez le niveau du liquide de refroidissement et assurez-vous qu'il soit toujours entre les repères Minimum et Maximum.

Équipement électrique : Assurez-vous que les phares, les feux arrière, les feux de freinage, les clignotants, l'avertisseur sonore, etc. fonctionnent correctement.

Boulonnerie d'attache : Assurez-vous que tous les écrous et boulons soient bien serrés et que toutes les pièces liées à la sécurité de la conduite soient en bonne condition.

DANGER

Respectez le code de la route et ne roulez pas sur les autoroutes à des vitesses supérieures aux limites précisées. Rouler à des vitesses trop élevées sur l'autoroute constitue une infraction aux règlements de la circulation. Dans certaines régions, les motos sont interdites sur les voies rapides.

ENTRETIEN

Un entretien périodique soigneux aidera à garder votre véhicule dans l'état le plus sûr et le plus fiable possible. L'inspection, le réglage et la lubrification des composants importants sont expliqués dans le calendrier d'entretien périodique.

Vérifiez, nettoyez, lubrifiez, ajustez et remplacez les pièces si nécessaire. Lorsqu'une inspection révèle que des pièces de rechange sont nécessaires, utilisez toujours des pièces d'origine disponibles auprès de votre concessionnaire.

REMARQUE : La maintenance et les ajustements périodiques sont essentiels. Si vous n'êtes pas familier avec l'exécution sécuritaire des procédures de maintenance et de réglage, demandez à un concessionnaire qualifié d'effectuer l'entretien requis pour vous.

Portez une attention particulière au niveau d'huile moteur pendant l'utilisation du véhicule par temps froid. Une élévation du niveau d'huile moteur par temps froid peut indiquer des contaminants s'accumulant dans le carter d'huile ou dans le carter lui-même. Changez l'huile immédiatement si le niveau d'huile commence à monter. Surveiller le niveau d'huile et, s'il continue d'augmenter, arrêtez de conduire et déterminez la cause, ou consultez votre concessionnaire.

ENTRETIEN

Définition d'une utilisation abusive

CFMOTO définit l'utilisation abusive comme étant :

- De la course ou une utilisation à haute vitesse de style course
- Une conduite prolongée à basse vitesse et avec une lourde charge
- Un fonctionnement prolongé du véhicule à régime ralenti du moteur
- Une utilisation de courte durée par temps froid
- Une utilisation dans des opérations commerciales

Si l'utilisation de votre véhicule correspond à l'une de ces définitions, réduisez les intervalles d'entretien de 50 %.

ENTRETIEN

Points clés du calendrier de lubrification

Vérifiez tous les composants aux intervalles indiqués dans le calendrier d'entretien périodique. Les éléments non répertoriés dans le programme d'entretien doivent être lubrifiés à l'intervalle de lubrification générale.

- Changez les lubrifiants plus souvent en cas d'utilisation intensive, par exemple dans des conditions humides ou poussiéreuses.
- Lubrifiez avant de longues périodes de remisage, après les lavages sous pression, ou après immersion du système d'entraînement.

Élément	Lubrifiant	Méthode
Huile moteur	SAE 10W-40 JASO MA2	Vérifier le niveau dans le hublot du niveau d'huile.
Liquide de frein	DOT3 OU DOT4	Maintenez le niveau du liquide entre les repères Maximum et Minimum.

ENTRETIEN

Calendrier d'entretien durant la période de rodage

Élément		Intervalle d'entretien durant la période de rodage (Effectuez à l'intervalle qui survient le premier)			
		Calendrier	Miles	Km	Remarques
Moteur					
■	Huile moteur et filtre à huile	-	600	1000	Remplacer
■	Crépine	-	600	1000	Nettoyer
	Régime de ralenti	-	600	1000	Vérifier
	Système d'accélération	-	600	1000	
	Chaîne et pignons de transmission		600	1000	Vérifier et ajuster
Circuit électrique					
■	Fonctions et pièces électriques	-	600	1000	Vérifier
	Batterie	-	600	1000	
	Fusibles ou disjoncteurs	-	600	1000	
Système de freinage					
	Disques des freins	-	600	1000	Vérifier
	Plaquettes des freins	-	600	1000	
	Niveau du liquide des freins	-	600	1000	
	Levier de frein	-	600	1000	Vérifier le jeu du levier
■	Flexibles de frein	-	600	1000	Vérifier s'ils sont endommagés et vérifier qu'ils sont bien scellés

► = Réduire l'intervalle d'entretien de 50 % pour les véhicules soumis à un usage intensif.

■ = Demandez à un concessionnaire agréé d'effectuer les réparations concernant ce composant ou système.

ENTRETIEN

Élément	Intervalle d'entretien durant la période de rodage (Effectuez à l'intervalle qui survient le premier)			
	Calendrier	Miles	Km	Remarques
Roues				
État des pneus	-	600	1000	Vérifier
Pression des pneus	-	600	1000	
Roulements de roue	-	600	1000	
Système de suspension				
■ Amortisseurs arrière et fourches avant	-	600	1000	Vérifier s'il y a des fuites (faire l'entretien des fourches avant et de l'amortisseur arrière selon les prescriptions)
Système de refroidissement				
Niveau du liquide de refroidissement	-	600	1000	Vérifier
■ Liquide de refroidissement	-	600	1000	
■ Fonctionnement du ventilateur du radiateur	-	600	1000	
Boyaux du liquide de refroidissement	-	600	1000	
Système de direction				
■ Roulements de direction	-	600	1000	Vérifier

► = Réduire l'intervalle d'entretien de 50 % pour les véhicules soumis à un usage intensif.

■ = Demandez à un concessionnaire agréé d'effectuer les réparations concernant ce composant ou système.

ENTRETIEN

Élément		Intervalle d'entretien durant la période de rodage (Effectuez à l'intervalle qui survient le premier)			
		Calendrier	Miles	Km	Remarques
Autres pièces					
■	Connecteur de diagnostic	-	600	1000	Lire avec ANP (assistant numérique personnel)
■	Pièces mobiles	-	600	1000	Lubrifier. Vérifier leur flexibilité
■	Boulonnerie	-	600	1000	Vérifier si les écrous et boulons sont bien serrés
■	Fils et câbles	-	600	1000	Vérifier s'ils sont endommagés ou pliés; vérifier le cheminement des câblages

► = Réduire l'intervalle d'entretien de 50 % pour les véhicules soumis à un usage intensif.

■ = Demandez à un concessionnaire agréé d'effectuer les réparations concernant ce composant ou système.

ENTRETIEN

Calendrier d'entretien périodique

Élément		Intervalle d'entretien périodique (Effectuez à l'intervalle qui survient le premier)			
		Calendrier	Miles	Km	Remarques
Moteur					
	Huile moteur et filtre à huile	6M	3000	5000	Remplacer
	Crépine	6M	3000	5000	Nettoyer
■	Embrayage	-	3000	5000	Vérifier
	Régime de ralenti	-	6000	10000	Vérifier
■	Liquide de refroidissement	24M	21000	35000	Remplacer
	Système d'accélération	-	3000	5000	Vérifier
■	Papillon des gaz	-	3000	5000	Nettoyer
▶■	Élément du filtre à air	-	3000	5000	Nettoyer
		24M	12000	20000	Remplacer
■	Bougie d'allumage	-	3000	5000	Vérifier
		-	6000	10000	Remplacer
■	Jeu des soupapes	-	24000	40000	Vérifier

▶ = Réduire l'intervalle d'entretien de 50 % pour les véhicules soumis à un usage intensif.

■ = Demandez à un concessionnaire agréé d'effectuer les réparations concernant ce composant ou système.

ENTRETIEN

Élément		Intervalle d'entretien périodique (Effectuez à l'intervalle qui survient le premier)			
		Calendrier	Miles	Km	Remarques
Circuit électrique					
■	Fonctions et pièces électriques	12M	6000	10000	Vérifier
	Batterie	6M	3000	5000	Vérifier
	Fusibles ou disjoncteurs	6M	3000	5000	Vérifier
■	Câbles	12M	6000	10000	Vérifier s'ils sont endommagés ou pliés; vérifier le cheminement des câblages

► = Réduire l'intervalle d'entretien de 50 % pour les véhicules soumis à un usage intensif.

■ = Demandez à un concessionnaire agréé d'effectuer les réparations concernant ce composant ou système.

ENTRETIEN

Roues					
	État des pneus	12M	6000	10000	Vérifier
		24M	12000	20000	Vérifier
	Pression des pneus	12M	6000	10000	Vérifier
		24M	12000	20000	Vérifier
■	Roulements de roue	-	6000	10000	Vérifier
		-	18000	30000	Vérifier
■	Roulement à aiguilles à l'intérieur du moyeu excentrique (bras oscillant simple)	12M	6000	10000	Vérifier le jeu entre le roulement et les pièces qui lui sont reliées. Au besoin, réparer et remplacer
		24M	12000	20000	Nettoyer le restant de graisse sur le roulement; appliquer une nouvelle graisse sur le roulement

► = Réduire l'intervalle d'entretien de 50 % pour les véhicules soumis à un usage intensif.

■ = Demandez à un concessionnaire agréé d'effectuer les réparations concernant ce composant ou système.

ENTRETIEN

Élément		Intervalle d'entretien périodique (Effectuez à l'intervalle qui survient le premier)			
		Calendrier	Miles	Km	Remarques
Système de freinage					
	Système de freinage avant et arrière	12M	6000	10000	Vérifier
		24M	12000	20000	Vérifier
	Disques des freins	12M	6000	10000	Vérifier
		24M	12000	20000	Vérifier
▶	Plaquettes des freins	12M	6000	10000	Vérifier
		24M	12000	20000	Vérifier
	Niveau du liquide des freins	12M	6000	10000	Vérifier
		-	12000	20000	Vérifier
	Lever de frein	24M	12000	20000	Vérifier le jeu du levier
		12M	6000	10000	
■	Flexibles de frein	24M	12000	20000	Vérifier s'ils sont endommagés et vérifier qu'ils sont bien scellés
		12M	6000	10000	
■	Liquide de frein	24M	-	-	Remplacer

▶ = Réduire l'intervalle d'entretien de 50 % pour les véhicules soumis à un usage intensif.

■ = Demandez à un concessionnaire agréé d'effectuer les réparations concernant ce composant ou système.

ENTRETIEN

Élément		Intervalle d'entretien périodique (Effectuez à l'intervalle qui survient le premier)			
		Calendrier	Miles	Km	Remarques
Système de suspension					
■	Système de suspension	-	6000	10000	Vérifier
■	Amortisseurs arrière et fourches avant	12M	6000	10000	Vérifier s'il y a des fuites (faire l'entretien des pièces selon les prescriptions).
		24M	12000	20000	
■	Bras oscillants	-	6000	10000	Vérifier
		-	18000	30000	Vérifier
Système de refroidissement					
	Niveau du liquide de refroidissement	12M	6000	10000	Vérifier
		24M	12000	20000	Vérifier
■	Liquide de refroidissement	12M	6000	10000	Vérifier
		24M	12000	20000	Vérifier
■	Fonctionnement du ventilateur du radiateur	12M	6000	10000	Vérifier
		24M	12000	20000	Vérifier
■	Boyaux du liquide de refroidissement	12M	6000	10000	Vérifier
		48M	18000	30000	Vérifier

► = Réduire l'intervalle d'entretien de 50 % pour les véhicules soumis à un usage intensif.

■ = Demandez à un concessionnaire agréé d'effectuer les réparations concernant ce composant ou système.

ENTRETIEN

Élément	Intervalle d'entretien périodique (Effectuez à l'intervalle qui survient le premier)			
	Calendrier	Miles	Km	Remarques
Châssis				
Châssis	-	18000	30000	Vérifier
Système de direction				
■ Roulements de direction	12M	6000	10000	Vérifier
	24M	12000	20000	Vérifier
Chaîne et pignon				
▶ Usure de la chaîne, pignon arrière et pignon moteur	12M	6000	10000	Vérifier
	24M	12000	20000	Vérifier

▶ = Réduire l'intervalle d'entretien de 50 % pour les véhicules soumis à un usage intensif.

■ = Demandez à un concessionnaire agréé d'effectuer les réparations concernant ce composant ou système.

ENTRETIEN

Élément		Intervalle d'entretien périodique (Effectuez à l'intervalle qui survient le premier)			
		Calendrier	Miles	Km	Remarques
Autres pièces					
■	Connecteur de diagnostic	12M	6000	10000	Lire avec ANP (assistant numérique personnel)
		24M	12000	20000	
■	Pièces mobiles	12M	6000	10000	Lubrifier. Vérifier leur flexibilité
		48M	18000	30000	
■	Boulonnerie	12M	6000	10000	Vérifier si les écrous et boulons sont bien serrés
		48M	18000	30000	
■	Fils et câbles	12M	3000	5000	Vérifier s'ils sont endommagés ou pliés; vérifier le cheminement des câblages
		24M	9000	15000	
■	Tuyaux, conduits, flexibles et gaines	12M	6000	10000	Vérifier s'ils sont fissurés, s'ils fuient, et si leur cheminement est correct
		48M	18000	30000	
■	Joint d'étanchéité du tuyau d'échappement	12M	3000	5000	Vérifier si les pièces de liaison du tuyau d'échappement fuient et vérifier si le joint est endommagé. Le remplacer au besoin. Après un démontage du silencieux, remplacer le joint d'étanchéité

► = Réduire l'intervalle d'entretien de 50 % pour les véhicules soumis à un usage intensif.

■ = Demandez à un concessionnaire agréé d'effectuer les réparations concernant ce composant ou système.

ENTRETIEN

Jeu du levier d'embrayage

Vérifiez la souplesse du levier d'embrayage.

Redressez le guidon.

Tirez lentement le levier d'embrayage jusqu'à ce que vous ressentiez de la résistance. Vérifiez la position du levier d'embrayage lorsqu'il y a un jeu libre.

Jeu admissible : 0,39 à 0,78 po (10 à 20 mm)

AVERTISSEMENT

Un jeu inadéquat du levier d'embrayage peut provoquer une forte contrainte sur le câble d'embrayage et nuire à l'engagement de l'embrayage, ce qui causerait un glissement et une usure excessive.

Vérifiez le jeu du levier chaque fois avant de démarrer le moteur. Réglez, si nécessaire, le jeu du levier d'embrayage tel que recommandé.

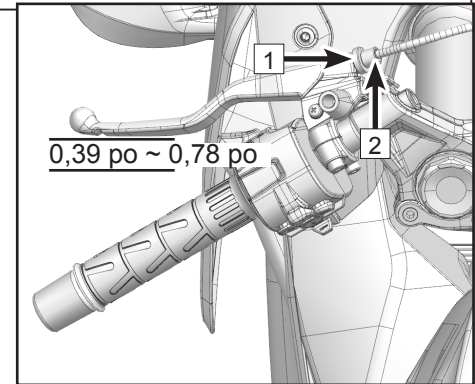
Ajustement précis du jeu du levier d'embrayage

Redressez le guidon.

Desserrez le contre-écrou 1.

Tournez l'écrou de réglage 2 pour effectuer l'ajustement.

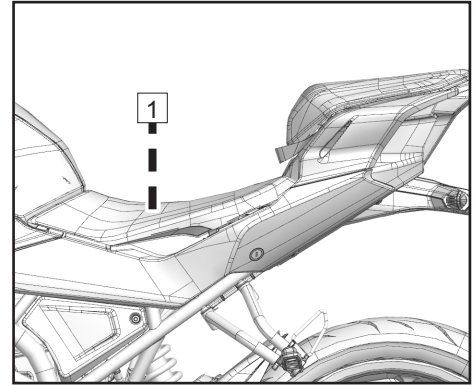
Une fois le jeu souhaité obtenu, resserrez le contre-écrou 1.



ENTRETIEN

Trousse à outils

La trousse à outils **1** se trouve sous le coussin du siège. Ces outils aident à l'entretien et au démontage-remontage de certaines pièces du véhicule.



ENTRETIEN

Systeme d'alimentation de carburant

Réservoir de carburant

Évitez de renverser de l'essence sur le réservoir de carburant durant le remplissage. En cas de déversement, essuyez immédiatement pour éviter toute pollution ou toute possibilité de danger.

La capacité du réservoir de carburant est de 12 L (3,17 gal)

ENTRETIEN

DANGER

L'essence est très inflammable et peut être explosive dans certaines conditions. Faites toujours le plein dans un lieu bien ventilé. Avant de remplir le réservoir, coupez le moteur et laissez le moteur et le pot d'échappement se refroidir. Ne fumez pas et évitez à tout prix des gestes qui risquent de créer des étincelles dans ou à proximité de l'endroit où vous faites le plein, ou du lieu où de l'essence est entreposée.

Ne remplissez jamais le réservoir excessivement. Évitez tout débordement de carburant sur des pièces très chaudes. Le niveau de carburant ne doit pas dépasser l'ouverture du réservoir. Lorsqu'il commence à faire chaud, l'essence peut s'échauffer et se dilater, risquant alors de se renverser et d'endommager des pièces de la moto.

L'essence est toxique et nocive pour la santé. Évitez tout contact de carburant avec la peau, les yeux et les vêtements. Évitez d'inhaler les vapeurs de carburant.

Si de l'essence se renverse sur votre peau, rincez abondamment à l'eau claire.

Si de l'essence entre en contact avec vos yeux, rincez-les abondamment à l'eau claire puis consultez un médecin dans les plus brefs délais.

Si de l'essence entre en contact avec vos vêtements, changez de vêtements immédiatement.

Si vous avalez de l'essence par inadvertance, consultez un médecin immédiatement.

Après l'entretien ou la réparation d'autres pièces du circuit de carburant, contactez votre concessionnaire pour une inspection complète afin d'éviter des fuites de carburant ou d'autres dangers.

Débarrassez-vous du carburant de façon appropriée afin d'éviter toute dégradation de l'environnement.

ENTRETIEN

Exigences en matière de carburant

Il est recommandé d'utiliser, pour cette moto, de l'essence sans plomb uniquement.

ATTENTION

N'utilisez pas d'essence au plomb car elle détruira le convertisseur catalytique. (Pour une meilleure compréhension, reportez-vous aux informations sur le convertisseur catalytique.)

Assurez-vous de toujours utiliser de l'essence fraîche. L'essence s'oxyde avec le temps, entraînant une perte d'octane et de composés volatils. Elle crée également des dépôts de colloïdes et de laque qui peuvent endommager le circuit d'alimentation de carburant.

Le moteur de votre CFMOTO a été conçu pour rouler à l'essence sans plomb ordinaire avec un indice d'octane à la pompe $([R+M] / 2)$ de 87 ou plus élevé. Si des cognements ou des cliquetis se produisent, utilisez une marque différente d'essence ou de carburant sans plomb de qualité supérieure. Le carburant sans plomb assurera une plus longue durée de vie de la bougie et des coûts d'entretien réduits.

ENTRETIEN

Ensemble moteur

Pour que le moteur, la transmission, l'embrayage et d'autres pièces fonctionnent convenablement, il faut maintenir le niveau de l'huile moteur entre les repères supérieur et inférieur dans le hublot niveau d'huile. Durant la phase de lubrification du moteur, l'huile non seulement accumule des sous-produits du carbone et des impuretés métalliques, mais elle peut aussi se consommer progressivement par petites quantités.

Vérifiez et remplacez l'huile conformément au Calendrier d'entretien périodique.

DANGER

Une moto avec une insuffisance d'huile moteur ou une huile dégradée ou fortement contaminée accélérera l'usure et pourrait entraîner un grippage du moteur ou de la transmission, un accident et/ou des blessures.

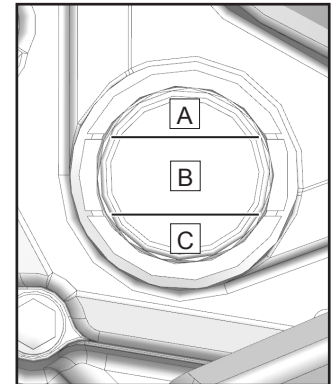
Vérification du niveau de l'huile moteur

Assurez-vous que le véhicule est arrêté et le moteur coupé.

Si le moteur était en marche pendant un certain temps avant d'être coupé, attendez 2 à 3 minutes pour que l'huile se stabilise.

Garez le véhicule sur sa béquille latérale sur une surface plane. Vérifiez le niveau d'huile moteur à travers le hublot du niveau d'huile :

- Si le niveau d'huile est dans la zone B, il est correct.
- Si le niveau d'huile est dans la zone A, vidangez le surplus d'huile jusqu'à ce que le niveau arrive dans la zone B.
- Si le niveau d'huile est dans la zone C, ou s'il est carrément invisible, remplissez le moteur avec de l'huile recommandée jusqu'à ce que le niveau arrive dans la zone B.



ENTRETIEN

Changement de l'huile et du filtre à huile

Garez le véhicule sur sa béquille sur une surface plane.

Faites tourner le moteur au ralenti pendant plusieurs minutes pour réchauffer l'huile, puis coupez le moteur. Attendez 2 à 3 minutes pour que l'huile se stabilise.

AVERTISSEMENT

Réchauffer le moteur trop longtemps peut provoquer une augmentation de la température du moteur et de l'huile moteur. Porter toujours des vêtements de protection et des gants appropriés lorsque vous changez l'huile. En cas de projections brûlantes, lavez immédiatement la zone touchée avec de l'eau courante pendant au moins 10 minutes, puis consultez un médecin.

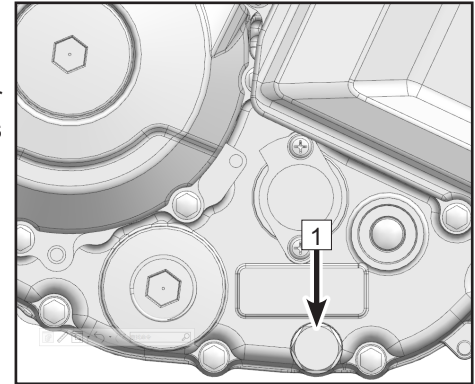
Placez un bac à huile sous l'orifice de vidange d'huile.

Enlevez le boulon aimanté de vidange d'huile et la rondelle  .

Vidanger complètement l'huile usée.

AVERTISSEMENT

L'huile est une substance toxique. Éliminez l'huile usagée de manière appropriée et responsable.



ENTRETIEN

Enlevez le filtre à huile [2].

Appliquez un peu d'huile propre sur la bague d'étanchéité en caoutchouc du nouveau filtre à huile.

Installez le nouveau filtre à huile.

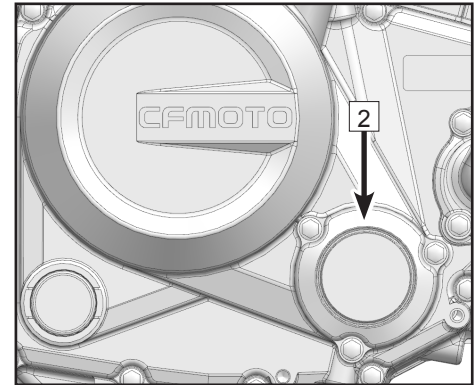
ATTENTION

Avant de monter le filtre à huile, le fait d'appliquer une mince couche d'huile sur la bague d'étanchéité empêchera le filtre de coller sur le carter du moteur.

Nettoyez le boulon de vidange d'huile et la zone autour du trou de purge de l'huile.

Placez une nouvelle rondelle sur le boulon de vidange d'huile, puis réinstallez-la. Serrez le boulon de vidange d'huile selon le couple de serrage prescrit.

Couple de serrage : 18,4 pi-lb (25 N·m).



ENTRETIEN

Enlevez le bouchon vissable de remplissage d'huile **3** .

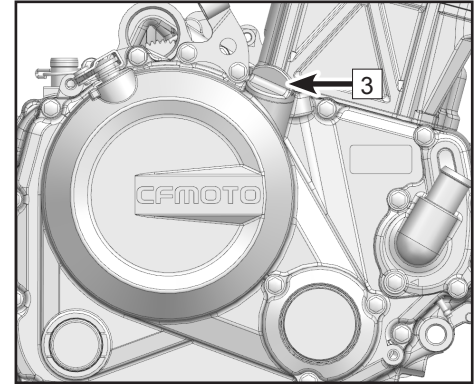
Versez 1,4 L (1,47 pinte) d'huile.

Remplacez le bouchon vissable de remplissage d'huile.

Démarrez le moteur et faites-le tourner au ralenti pendant plusieurs minutes pour permettre à l'huile de traverser le filtre à huile.

Coupez le moteur.

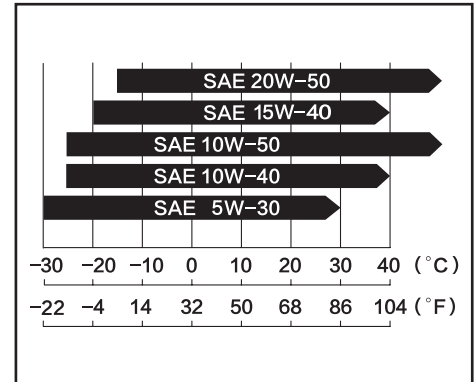
Vérifiez le niveau de l'huile et ajustez-le jusqu'à atteindre la zone prescrite.



Capacité du réservoir d'huile moteur

Changez le filtre en même temps que l'huile : 1,4 L (1,47 pinte).

L'utilisation de toute huile autre que celle recommandée peut occasionner de sérieux dommages au moteur. CFMOTO recommande l'huile 10W-40/SJ JASO MA2 pour moteurs 4 temps. Il est acceptable de changer la viscosité de l'huile moteur dans des environnements froids. Reportez-vous au tableau de droite pour le choix de la viscosité selon la température ambiante.



ENTRETIEN

Bougie d'allumage

La ou les bougies d'allumage doivent être remplacées conformément au Calendrier d'entretien périodique.

Le démontage-remontage de la bougie d'allumage doit être effectué uniquement par un concessionnaire agréé.

Type de bougie préconisé : CR8EI.

Écartement des électrodes 1 : 0,028 à 0,035 po (0,7 à 0,9 mm)

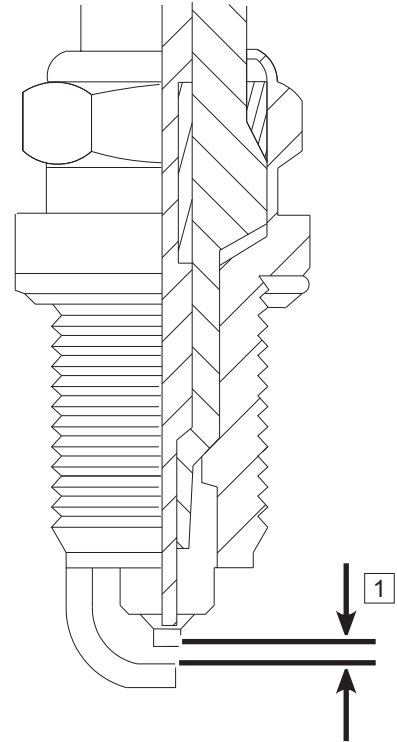
Couple de serrage : 11,1 pi-lb (15 N·m)

Régime de ralenti

Le régime de ralenti de ce véhicule a été ajusté en usine et ne doit pas être modifié par l'utilisateur, car cela pourrait nuire à la performance de la moto. Lorsque des pièces régissant la commande de la vitesse de ralenti doivent être remplacées, contactez votre concessionnaire pour le remplacement et le recalibrage de l'ECU à l'aide de l'ANP (assistant numérique personnel).

 **DANGER**

Un mauvais ajustement du régime de ralenti peut entraîner des conséquences graves.

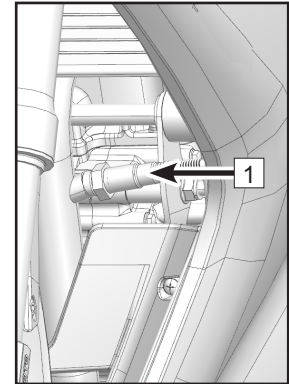


ENTRETIEN

Système d'admission d'air et d'échappement

Système de détection des gaz d'échappement

Un système optimisé de détection des gaz d'échappement et de l'injection de carburant utilise des capteurs d'oxygène **1**. Un capteur d'oxygène est installé sur chaque tuyau d'échappement et détecte la quantité d'air et de combustion du carburant en mesurant la densité de l'oxygène et en la transmettant sous forme de signal électrique à l'ECU (bloc de commande électronique). Si l'ECU détermine que la combustion n'est pas optimale, il ajustera l'injection du carburant en fonction des signaux du capteur de position du papillon (TPS) et des sondes de température de l'air d'admission. De cette façon, le rapport air/carburant peut être optimisé pour une combustion complète.



Valve d'admission d'air

Une valve d'admission d'air est essentiellement une valve qui permet à de l'air frais de circuler dans le moteur seulement à travers le filtre à air. Tout flux d'air qui traverse la valve d'admission ne peut pas revenir en arrière. Demandez à un concessionnaire agréé de vérifier les valves d'admission d'air conformément au Calendrier d'entretien périodique. De même, faites vérifier les valves d'admission d'air dans les situations suivantes : lorsqu'il est impossible d'obtenir un régime de ralenti stable, lorsque la puissance du moteur est considérablement réduite, ou lorsque des bruits de moteur anormaux se font entendre.

La dépose et la vérification des valves d'admission d'air doivent être effectuées uniquement par un concessionnaire CFMOTO agréé.

ENTRETIEN

jeu des soupapes

Les soupapes et les sièges de soupape du moteur s'usent durant le fonctionnement du moteur. Le réglage des composants du dispositifs de commande des soupapes doit être réalisé par un technicien du concessionnaire CFMOTO conformément au Calendrier d'entretien périodique.

AVERTISSEMENT

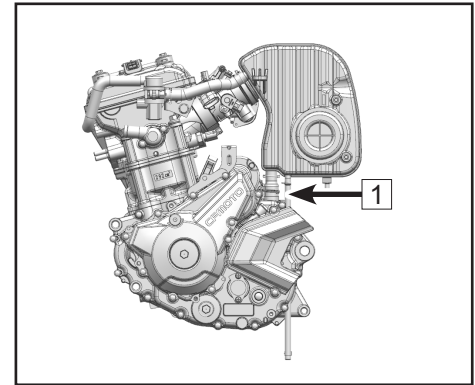
Si le jeu des soupapes n'est pas ajusté, cela pourrait éventuellement entraîner une perte de jeu ou provoquer une ouverture partielle des soupapes, réduisant ainsi la performance de la moto, rendant les soupapes bruyantes et pouvant endommager sérieusement le moteur. Le jeu de chaque soupape doit être vérifié et ajusté selon le Calendrier d'entretien périodique. La vérification et le réglage doivent être réalisés par un concessionnaire agréé de CFMOTO.

ENTRETIEN

Filtre à air

Un filtre à air obstrué limite la circulation de l'air, accroît la consommation de carburant, réduit la puissance du moteur et provoque l'encrassement de la, ou des bougies d'allumage. L'élément de filtre à air doit être nettoyé selon le Calendrier d'entretien périodique. Si vous roulez dans des environnements poussiéreux, pluvieux ou boueux, l'élément de filtre à air doit être entretenu plus souvent que l'intervalle recommandé dans le Calendrier d'entretien périodique. En raison de la conception de véhicule, le service du filtre à air doit être réalisé uniquement par un concessionnaire agréé.

Le boyau indicateur **1** du filtre à air vous signale lorsqu'une quantité excessive de poussière, d'huile résiduelle ou d'eau est accumulée dans le filtre à air.



⚠ ATTENTION

De l'huile sur les pneus et sur les pièces plastiques ou d'autres pièces entraînera des dommages.

Si de l'air non filtré est admis dans le moteur, cela nuira à la durée de vie du moteur.

Ne démarrez jamais le véhicule sans filtre à air.

Corps du papillon

Les vis de butée sur le corps du papillon ont été installées et serrées avec précision et ne peuvent pas être ajustées. Vérifiez si le régime de ralenti du véhicule est stable : si ce régime n'est pas stable, contactez votre concessionnaire CFMOTO pour le service.

ENTRETIEN

Systeme de refroidissement

Radiateur et ventilateur

Vérifiez les ailettes du radiateur pour vous assurer qu'elles ne sont ni pliées ou déformées, ni obstruées par des insectes ou de la boue. Nettoyez tous les débris en utilisant un jet d'eau à basse pression.

AVERTISSEMENT

Afin d'éviter des blessures, gardez vos mains et vos vêtements loin des pales du ventilateur lorsqu'il fonctionne.

Utiliser de l'eau à haute pression pour laver le véhicule peut endommager les ailettes du radiateur et nuire à l'efficacité du radiateur.

Installer des accessoires non autorisés à l'avant ou à l'arrière du ventilateur peut gêner le flux d'air sur le radiateur et entraîner une surchauffe / un endommagement du moteur.

Si la surface des ailettes du radiateur est endommagée à plus de 20 % par des obstructions ou des ailettes déformées, et qu'il est impossible d'éliminer ces problèmes, changez le radiateur.

Durites du radiateur

Vérifiez si les durites du radiateur présentent des fuites, des fissures, des détériorations, de l'usure, de la rouille ou de la corrosion, et assurez-vous chaque jour, avant d'utiliser la moto, que les raccords des durites n'ont pas de fuite et ne sont pas desserrés. Vérifiez selon le Calendrier d'entretien périodique.

ENTRETIEN

Liquide de refroidissement

Le liquide de refroidissement absorbe la chaleur excessive du moteur et la renvoie dans l'atmosphère grâce au radiateur. Si le niveau du liquide de refroidissement est bas, le moteur surchauffera et pourrait subir de graves dommages. Vérifiez chaque jour le niveau du liquide de refroidissement avant d'utiliser la moto, et faites l'entretien conformément au Calendrier d'entretien périodique. Ajoutez du liquide de refroidissement si le niveau est trop bas.

Afin de protéger le système de refroidissement (le moteur et le radiateur contiennent des pièces en aluminium) contre la rouille et la corrosion, il est essentiel d'utiliser des produits chimiques qui contiennent des additifs antirouille et anticorrosion. Si le liquide contient déjà de tels produits, il est inutile de les ajouter séparément.

ENTRETIEN

DANGER

Le liquide de refroidissement est toxique et nocif pour la santé.

Évitez tout contact du liquide de refroidissement avec la peau, les yeux ou les vêtements.

Si vous avalez par inadvertance du liquide de refroidissement, consultez un médecin immédiatement.

En cas de contact de liquide de refroidissement avec la peau, lavez immédiatement à grande eau la zone touchée.

En cas de contact de liquide de refroidissement avec les yeux, lavez les yeux à grande eau et consultez un médecin immédiatement.

Si vos vêtements sont éclaboussés par du liquide de refroidissement, changez-les au plus tôt.

Toute corrosion ou rouille enlevée du moteur et du radiateur doit être éliminée de manière appropriée selon des instructions spéciales. Les produits chimiques qui y sont contenus sont nocifs pour le corps humain.

ATTENTION

N'ajoutez pas d'eau du robinet dans le système du liquide de refroidissement, car cela peut entraîner une accumulation de dépôt à l'intérieur du système de refroidissement. Utilisez uniquement un mélange moitié-moitié d'eau distillée et de liquide de refroidissement. Lorsque la température ambiante chute au-dessous de 0°C, un mauvais mélange d'eau et de liquide de refroidissement peut geler et provoquer des conséquences graves allant jusqu'à une défaillance du système de refroidissement.

Les antigels en bouteille vendus sur le marché contiennent des propriétés anticorrosion et antirouille. Si l'antigel est trop dilué, il perd ses propriétés anticorrosion et antirouille. Utilisez toujours la concentration d'antigel en conformité avec les instructions du fabricant.

Lorsque vous remplissez le système de refroidissement, assurez-vous que la couleur du liquide est verte et que le liquide contient de l'éthylène-glycol. Si la température ambiante est au-dessous de 32°F (0°C), assurez-vous que le liquide de refroidissement a un point de congélation inférieur à 32°F (0°C).

ENTRETIEN

Vérification du niveau de liquide de refroidissement

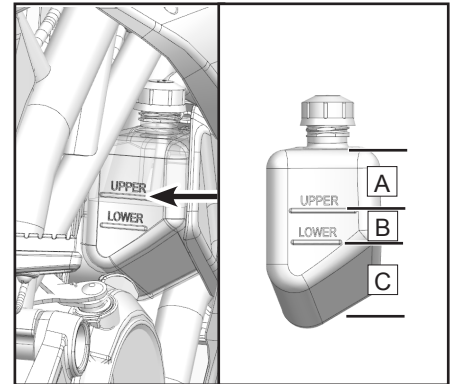
Garez la moto sur sa béquille latérale sur une surface plane.

Vérifiez le niveau de liquide de refroidissement dans le réservoir.

S'il est dans la zone 'B', le niveau du liquide de refroidissement est correct.

S'il est dans la zone 'A', vidangez l'excédent de liquide jusqu'à ce que le niveau arrive dans la zone 'B'.

S'il est dans la zone 'C', ou s'il est invisible, ajoutez du liquide de refroidissement identique à celui dans le réservoir jusqu'à ce que le niveau remonte dans la zone 'B'.



ATTENTION

Lorsque le véhicule est utilisé, le liquide de refroidissement atteint une température très élevée et reste dans un état de compression.

Tant que le moteur ou le système de refroidissement n'est pas refroidi, n'ouvrez pas le radiateur et évitez de toucher les durites du radiateur, le réservoir du liquide ou d'autres pièces liées au système de refroidissement.

En cas d'ébullition, lavez immédiatement la zone touchée avec l'eau courante pendant plus de 10 minutes, puis consultez un médecin.

ENTRETIEN

Remplissage du liquide de refroidissement

Ouvrez le bouchon du réservoir de liquide et ajoutez du liquide de refroidissement jusqu'à ce qu'il arrive dans la zone 'B'.

ATTENTION

Si vous devez souvent ajouter du liquide de refroidissement, ou si le réservoir de liquide est complètement sec, il y a probablement une fuite dans le système. Faites inspecter le système de refroidissement par un concessionnaire agréé de CFMOTO.

Contactez votre concessionnaire pour changer le liquide de refroidissement. Mélanger des liquides de refroidissement différents peut endommager le moteur.

ENTRETIEN

PNEUS ET CHÂÎNE

Ce véhicule utilise seulement des pneus sans chambre, des jantes tubeless et des valves de gonflage pour pneus sans chambre. Utilisez uniquement les pneus, jantes et valves de gonflage standards recommandés. N'installez pas de pneus à chambre à air sur des jantes tubeless. N'installez pas une chambre à air à l'intérieur d'un pneu sans chambre. Si les pneus ne sont pas installés correctement, de l'air peut s'en échapper.

Spécifications des pneus

Spécification des pneus	Roue avant	110/70 R17 M/C 54H
	Roue arrière	140/60 R17 M/C 63H
Pression des pneus	Roue avant	32,6 psi (225 kPa)
	Roue arrière	32,6 psi (225 kPa)
Profondeur minimale de la sculpture	Roue avant	0,031 à 0,039 po (0,8 à 1 mm)
	Roue arrière	0,031 à 0,039 po (0,8 à 1 mm)

Une pression incorrecte ou un dépassement de la limite de charge des pneus peut affecter la maniabilité et la performance du véhicule, et provoquer une perte de contrôle.

Effectuez des inspections périodiques de la pression des pneus en utilisant un manomètre pour pneu. Ajustez la pression des pneus en conséquence.

Une pression des pneus excessivement basse peut provoquer une usure inadéquate ou une surchauffe.

Une pression des pneus appropriée offre un meilleur confort de conduite et une plus longue durée de vie des pneus.

ENTRETIEN

REMARQUE :

Vérifiez la pression des pneus lorsque les pneus sont froids. La pression des pneus est influencée par les variations de température et l'altitude. Si durant votre excursion, vous observez un important changement de la température et de l'altitude, vous devez vérifier et ajuster la pression des pneus en conséquence.

La plupart des pays ont leur propre réglementation sur la profondeur minimale de la sculpture. Veuillez respecter la réglementation locale. Lorsque vous installez des nouvelles jantes ou des nouveaux pneus, vérifiez toujours l'équilibrage des roues.

ATTENTION

Afin de maintenir une maniabilité sécuritaire et une bonne stabilité, utilisez seulement les pneus et la pression de pneu recommandés. Si un pneu a subi une crevaison et qu'il est réparé et utilisé dans les prochaines 24 heures après la réparation, ne conduisez pas la moto à plus de 60 km/h (55 mi/h) et la vitesse de la moto ne doit, à aucun autre moment, dépasser 90 km/h (80 mi/h). Un pneu crevé doit être réparé aussitôt que possible.

Les pneus avant et arrière doivent provenir du même fabricant et avoir la même sculpture de la bande de roulement.

Les pneus neufs peuvent être glissants et entraîner une perte de contrôle et des blessures si leur période de rodage n'a pas été respectée. Conduisez la moto à des vitesses modérées en utilisant différents angles d'inclinaison afin que toute la surface des pneus subisse un frottement uniforme sur le sol. Une surface de frottement normale sera formée après une période de rodage de 160 km (100 miles). Évitez le freinage brusque, les accélérations soudaines et les virages serrés à grande vitesse durant la période de rodage.

Indice de charge des pneus

L'indice de charge maximal recommandé pour les pneus est de 330,7 lb. (150 kg), et comprend le poids combiné du pilote, du porte-bagages avec un chargement et des accessoires.

ENTRETIEN

Frottement des pneus

Lorsque l'usure de la bande de roulement du pneu dépasse la limite d'utilisation, le pneu devient plus exposé aux crevaisons et à la défaillance. Une estimation couramment admise est que 90 % de toutes les défaillances de pneu se produisent lors des derniers 10 % de la vie utile de la bande de roulement : il est donc dangereux de continuer à utiliser des pneus jusqu'à ce qu'ils deviennent lisses. Conformément au Calendrier d'entretien périodique, mesurez la sculpture de la bande de roulement avec une jauge de profondeur, et remplacez tout pneu dont la sculpture est usée jusqu'à la profondeur minimale permise.

Vérifiez visuellement la bande de roulement des pneus pour vous assurer qu'ils ne présentent ni fissures ni coupures, et remplacez tout pneu sérieusement endommagé. Par exemple, si le pneu montre une expansion partielle, cela signifie qu'il est fortement endommagé.

Retirez toutes les pierres et tous les corps étrangers pris dans la sculpture de la bande de roulement.

ATTENTION

Lorsque la température ambiante chute au-dessous de 14°F (-10°C)), il est recommandé de placer le véhicule à l'intérieur si vous devez le remiser pendant longtemps.

N'utilisez pas la béquille latérale pour garer le véhicule pendant longtemps en hiver. Employez plutôt la béquille centrale (si la moto en est équipée) ou un support spécial de motocyclette, car les pneus ne doivent pas servir à soutenir le poids du véhicule.

Ne laissez pas les pneus enfoncés dans la neige ou la glace lorsque vous gardez le véhicule en hiver.

Lorsque vous gardez le véhicule pendant longtemps à l'extérieur en hiver, il est recommandé d'utiliser un protège-sol sous les pneus capable de les isoler et de les protéger.

ENTRETIEN

Vérification de la chaîne de transmission

Vous devez examiner quotidiennement, avant de conduire, le jeu et la lubrification de la chaîne de transmission, et les consignes de sécurité doivent être respectées conformément au Calendrier d'entretien périodique afin d'empêcher une usure excessive. Si elle est trop usée ou si elle est mal ajustée, la chaîne pourrait devenir trop tendue ou trop serrée.

Si la chaîne est trop tendue, cela accélérera l'usure de la chaîne, du pignon avant, du pignon arrière et de la jante arrière. Certaines pièces pourraient même se fissurer ou se briser lorsque la moto est soumise à une surcharge.

Si la chaîne est trop lâche, elle pourrait quitter le pignon avant ou le pignon arrière, ce qui risque de provoquer un blocage de la roue arrière ou d'endommager le moteur.

La durée de vie utile de la chaîne de transmission dépend en grande partie de son entretien.

Vérification de la saleté de la chaîne

Vérifiez la chaîne périodiquement et assurez-vous qu'elle ne contient pas de saletés, surtout après une utilisation de la moto dans des conditions de conduite difficiles.

Si la chaîne est sale, rincez les grandes particules de saleté en utilisant un faible jet d'eau. Nettoyez les résidus de saleté et de lubrifiant au moyen d'un nettoyant pour chaînes adéquat.

Une fois que la chaîne est sèche, vaporisez-la avec un lubrifiant pour chaîne approprié.

AVERTISSEMENT

Lorsque vous vaporisez du lubrifiant pour chaîne, évitez toute éclaboussure sur d'autres pièces de la moto. Du lubrifiant sur les pneus réduira leur adhérence, et du lubrifiant sur les disques de frein diminuera leur pouvoir de freinage. En cas de vaporisation excessive, nettoyez ces composants à l'aide d'un nettoyant adéquat.

ENTRETIEN

Vérification de la tension de la chaîne

Placez le levier des vitesses sur la position Neutre.

Garez la moto sur sa béquille latérale sur un sol ferme et plat.

Tirez la chaîne sur le milieu jusqu'à sa tension maximale, puis mesurez la distance du déplacement de la chaîne.

Si la tension de la chaîne est hors spécifications, ajustez-la pour la faire revenir à la valeur standard

Valeur standard pour le bras oscillant simple :

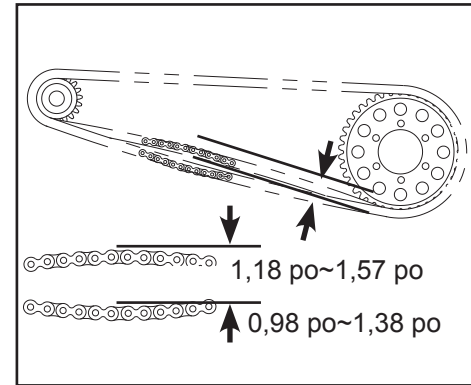
0,98 à 1,38 po (25 à 35 mm)

Valeur standard pour le bras oscillants doubles :

1,18 à 1,57 po (30 à 40 mm)

REMARQUE :

Avant d'ajuster le jeu de la chaîne, répétez la mesure en modifiant la position de la roue arrière plusieurs fois dans différentes positions.



ENTRETIEN

Ajustement de la tension de la chaîne (bras oscillants doubles)

Desserrez l'écrou de l'essieu de la roue arrière **1**.

Desserrez les écrous de blocage **A** fdes boulons de réglage gauche et droit.

Vissez les boulons de réglage gauche et droit **2** afin d'ajuster la tension de la chaîne.

Assurez-vous que les repères d'alignement sur les tendeurs de chaîne **3** gauche et droit correspondent bien à la position des marques de référence sur la fourche arrière.

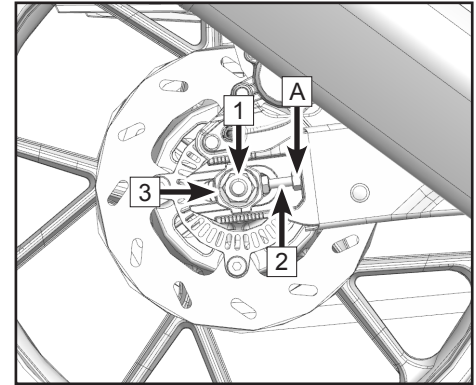
Assurez-vous que les tendeurs de chaîne sont en contact ferme avec les boulons de réglage.

Serrez les écrous de blocage pour les boulons de réglage gauche et droit.

Serrez l'écrou de l'essieu de la roue arrière.

Couple de serrage l'écrou de l'essieu de la roue arrière **1 :**

59 pi-lb à 73,7pi-lb (80 à 100 N•m)



ENTRETIEN

Ajustement de la tension de la chaîne

Desserrez le boulon de blocage de l'essieu excentrique [1].

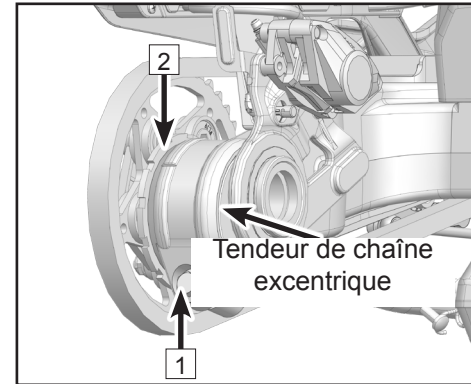
Utilisez l'outil spécial d'ajustement de la chaîne (dans la trousse à outils) pour insérer les dents [2] du tendeur de chaîne excentrique.

Faites les ajustements du côté droit de la moto. Tournez le tendeur de chaîne excentrique dans le sens des aiguilles d'une montre pour desserrer la chaîne, puis le tournez dans le sens contraire pour tendre la chaîne.

REMARQUE : Si le tendeur de chaîne excentrique ne peut pas tourner, essayez de desserrer le boulon encore un peu plus. Si le tendeur ne peut toujours pas tourner, contactez un centre de service autorisé du concessionnaire CFMOTO. Une fois le réglage terminé, vérifiez si le tendeur de chaîne excentrique s'emboîte sur la partie frontale de la fourche arrière. S'il y a un écart, utilisez un maillet en caoutchouc pour taper légèrement sur la partie extérieure frontale du tendeur de chaîne excentrique pour bien l'emboîter sur la partie frontale de la fourche arrière. Autrement, cela provoquera une usure anormale du disque et de l'étrier du frein.

Serrer le boulon de blocage de l'essieu excentrique [1].

Couple de serrage du boulon de blocage de l'essieu excentrique [1] 51.6 pi-lb (70 N·m)



REMARQUE : A titre indicatif, les pièces présentées sur la photo cachent une partie de la structure. Cette perspective montre l'arrière de la chaîne.

ENTRETIEN

Vérification de l'usure

Placez le levier des vitesses sur la position Neutre.

Garez la moto sur sa béquille latérale sur un sol ferme et plat.

Appliquez une tension sur la chaîne ou bien accrochez un poids de 22 lb (10 kg) sur la chaîne.

Mesurez la longueur entre 20 maillons pour vérifier l'élongation.

Si la longueur mesurée dépasse la limite standard, remplacez la chaîne par une chaîne neuve.

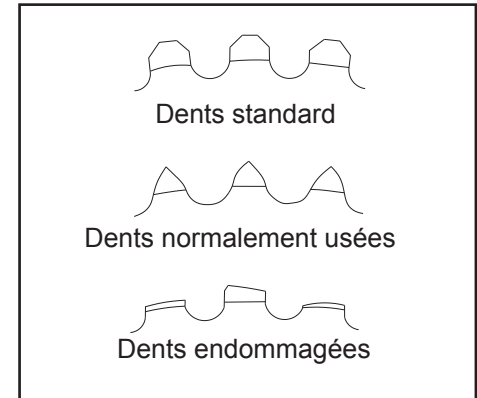
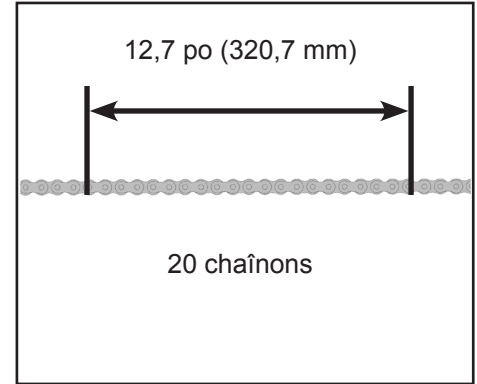
Limite standard 12,7 po (323 mm)

DANGER

Pour votre sécurité, veuillez utiliser la chaîne standard. Si la chaîne est trop allongée, ne coupez jamais la chaîne pour la remonter sur le véhicule. Faites-la remplacer par un concessionnaire CFMOTO agréé.

Vérifiez les dents du pignon arrière et du pignon moteur pour vérifier le type d'usure éventuelle.

Si les dents du pignon arrière ou du pignon moteur sont usées, il faut alors remplacer les deux pignons ensemble.



ENTRETIEN

Système de freinage

Afin de garantir une excellente performance de votre véhicule et votre sécurité personnelle, il est nécessaire de réparer et d'entretenir le véhicule conformément au Calendrier d'entretien périodique. Assurez-vous que toutes les pièces du système de freinage sont en bon état. En cas de dommage ou de défaillance du système de freinage, faites vérifier votre véhicule par un concessionnaire agréé.

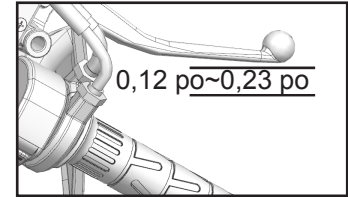
Vérification du levier de frein avant

Garez la moto sur sa béquille latérale sur un sol ferme et plat.

En pressant légèrement le levier du frein avant, vérifiez son jeu.

Jeu admissible : 0,12 à 0,23 po (3 à 6 mm)

Vérifiez si le levier du frein avant présente des fissures ou fait un bruit anormal. En cas de problèmes, remplacez-le par un nouveau levier.



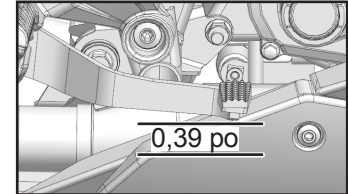
Vérification de la pédale de frein arrière

Garez la moto sur sa béquille latérale sur un sol ferme et plat.

Appuyez légèrement sur la pédale du frein arrière et vérifiez sa course.

Jeu admissible : 0,39 po (10 mm)

Vérifiez si la pédale du frein arrière présente des fissures ou fait un bruit anormal. En cas de problèmes, remplacez-la par une nouvelle pédale.



⚠ AVERTISSEMENT

Si vous sentez que les freins sont mous lorsque vous serrez le levier du frein ou lorsque vous appuyez sur la pédale du frein, il pourrait y avoir de l'air dans un tuyau de liquide de frein ou un manque de liquide. Si votre moto présente cette condition dangereuse, faites vérifier immédiatement le circuit de freinage par un concessionnaire agréé de CFMOTO.

ENTRETIEN

Vérification du niveau de liquide des freins

Garez la moto sur sa béquille latérale sur un sol ferme et plat. Vérifiez que les niveaux du liquide de frein dans les réservoirs des freins avant et arrière sont à niveau.

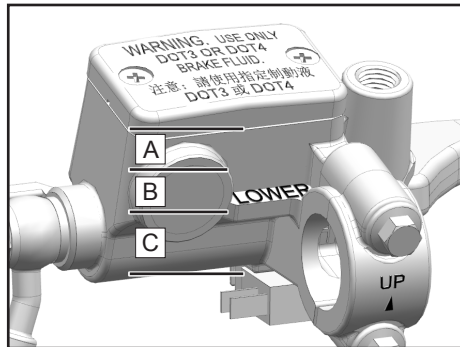
Si le niveau du liquide de frein est dans la zone 'B' : la quantité de liquide de frein est adéquate.

Si le niveau de liquide de frein est dans la zone 'A' : vidangez du liquide jusqu'à ce qu'il arrive dans la zone 'B'.

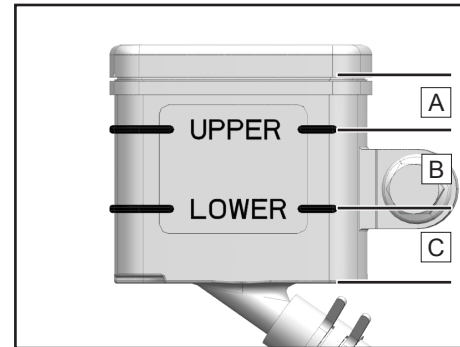
Si le niveau de liquide de frein est la zone 'C', ou s'il est carrément invisible : remplissez avec le même liquide de frein jusqu'à ce qu'il arrive dans la zone 'B'.

AVERTISSEMENT

Si le niveau du liquide de frein arrive souvent dans la zone 'C', le circuit de freinage a une fuite, n'est pas hermétique, ou est endommagé. Faites vérifier immédiatement le circuit de freinage par un concessionnaire agréé de CFMOTO.



Réservoir de liquide du frein avant



Réservoir de liquide du frein arrière

ENTRETIEN

Remplissage de liquide de frein

AVERTISSEMENT

Le liquide de frein provoque une irritation cutanée.

Gardez le liquide de frein hors de portée des enfants.

Évitez tout contact du liquide de frein avec la peau, les yeux ou les vêtements. Portez des vêtements et des lunettes de protection lorsque nécessaire.

Consultez un médecin dans les plus brefs délais si du liquide de frein a été accidentellement avalé.

En cas de contact avec les yeux, rincez les yeux abondamment avec de l'eau et consultez immédiatement un médecin.

Si du liquide de frein se renverse sur vos vêtements, changez-les immédiatement.

AVERTISSEMENT

Un liquide de frein utilisé pendant longtemps sans être changé réduira l'efficacité du freinage. Changez le liquide de frein selon le Calendrier d'entretien périodique. Utilisez uniquement le même type de liquide de frein DOT 4 que celui marqué sur le réservoir. Le mélange de différents types de liquide de frein peut entraîner des dommages ou une défaillance du système de freinage. Contactez votre concessionnaire CFMOTO agréé pour l'entretien du liquide de frein.

REMARQUE

Un niveau du liquide de frein trop bas provoque une pression négative à l'intérieur du réservoir de liquide, ce qui peut entraîner un affaissement du joint d'étanchéité du réservoir. Retirez le bouchon du réservoir pour relâcher la pression. Ajustez le joint d'étanchéité du réservoir, puis réinstallez le joint et le bouchon.

ENTRETIEN

Réservoir de liquide du frein avant

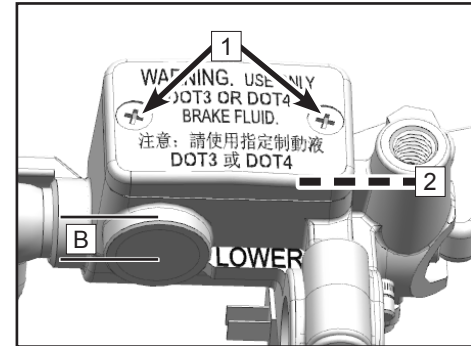
Enlevez les vis [1].

Retirez le couvercle et le joint d'étanchéité du réservoir [2].

Remplissez le réservoir de liquide de frein jusqu'à la zone 'B'.

Réinstallez le couvercle et le joint d'étanchéité du réservoir.

Réinstallez les vis [1].



Réservoir de liquide du frein arrière

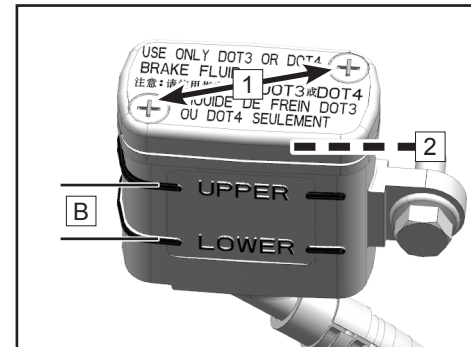
Enlevez les vis [1].

Retirez le couvercle et le joint d'étanchéité du [2].

Remplissez le réservoir de liquide de frein jusqu'à la zone 'B'.

Réinstallez le couvercle et le joint d'étanchéité du réservoir.

Réinstallez les vis [1].



ENTRETIEN

Vérification des disques de frein

Vérifiez périodiquement les disques de frein pour voir s'ils sont endommagés, s'ils ont perdu leur forme, ou s'ils présentent des fissures ou de l'usure. Des disques de frein endommagés peuvent provoquer une défaillance du freinage. Des disques usés réduisent la distance de freinage. Si les disques de frein sont endommagés ou dépassent leur limite d'usure, contactez un concessionnaire agréé pour les remplacer immédiatement par de nouveaux disques.

Vérifiez l'épaisseur des disques de freins avant et arrière dans différentes positions.

Bras oscillants doubles :

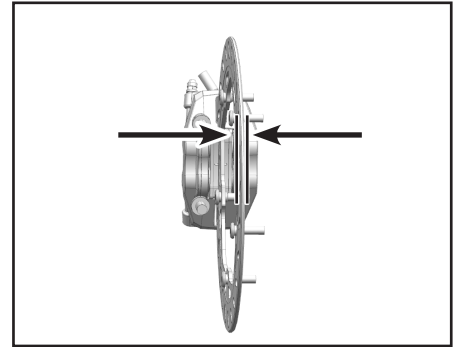
Limite d'usure des disques du frein avant : 0,16 po (4 mm)

Limite d'usure des disques du frein arrière : 0,12 po (3 mm)

Bras oscillant simple :

Limite d'usure des disques du frein avant : 0,16 po (4 mm)

Limite d'usure des disques du frein arrière : 0,14 po (3,5 mm)



ENTRETIEN

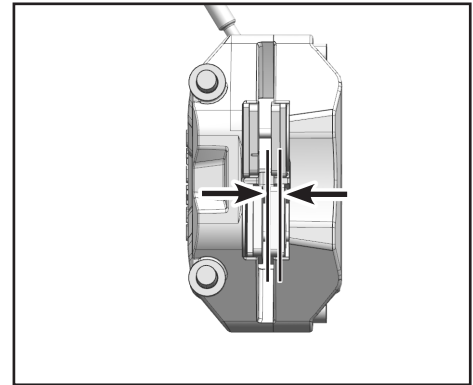
Vérification des étriers de frein

Inspectez les étriers de frein avant de conduire. Vérifiez périodiquement les plaquettes de frein pour déterminer leur épaisseur minimum. Si elles sont trop minces, les plaquettes provoqueront un frottement de la plaque d'acier sur les disques de frein, ce qui réduira considérablement le pouvoir de freinage et endommagera le système de freinage.

Vérifiez l'épaisseur minimum des plaquettes sur tous les étriers de frein.

Épaisseur minimum des plaquettes de frein :
≥ 0,04 po (1 mm)

Si l'épaisseur des plaquettes de frein est inférieure à la limite minimum, ou si la plaque des plaquettes de frein est endommagée, contactez immédiatement un concessionnaire agréé pour faire réparer le système de freinage.



ENTRETIEN

Système de freinage antiblocage (ABS)

L'ABS est un système de sécurité qui empêche le blocage des roues durant la conduite en ligne droite sans l'influence des forces latérales.

Avec l'aide du système ABS, lorsque vous roulez sur un terrain rugueux, détrempé, glissant ou soumis à toute autre condition de mauvaise adhérence des pneus au sol, vous pouvez freiner la moto avec une force de freinage maximum sans provoquer un blocage des roues.

DANGER

Il n'est pas toujours possible d'empêcher un renversement de la moto dans des conditions de conduite extrêmes, comme par exemple : rouler avec un porte-bagages supportant une charge dont le centre de gravité est élevé, un état des routes variable, des descentes de pentes raides, ou un freinage à grande vitesse sans relâcher le levier d'embrayage.

L'ABS fonctionne avec deux circuits de freinage indépendants (freins avant et arrière). Lorsque le bloc de commande électronique du freinage détecte une tendance au blocage des roues, l'ABS commence par réguler la pression de freinage. Durant cette régulation, vous pouvez ressentir de légers à-coups dans le levier du frein à main ou la pédale de frein.

Lorsque vous tournez la clé de contact sur ON, l'indicateur ABS doit s'allumer puis s'éteindre après le démarrage. Si l'indicateur ABS ne s'éteint pas après le démarrage, ou s'il s'allume durant la conduite, cela signifie que le système ABS est défaillant. Dans ce cas, l'ABS ne fonctionnera pas et les roues pourraient se bloquer lors d'un freinage à bloc. Le circuit de freinage reste quand même opérationnel, mais l'ABS ne pourra pas corriger un éventuel blocage des roues.

ENTRETIEN

Amortisseurs

Vérification des amortisseurs

En tenant le guidon et le levier du frein avant, appliquez plusieurs fois de suite un mouvement de compression sur la fourche avant pour vous assurer que les amortisseurs fonctionnent correctement. Vérifiez visuellement les amortisseurs avant pour déceler toute possibilité de fuite d'huile, d'éraflures ou de bruit de frottement.

Après la conduite, examinez les amortisseurs avant pour déceler une éventuelle accumulation de boue, de saletés ou de débris. Nettoyez ces surfaces régulièrement. Ne pas les maintenir convenablement peut entraîner des dommages du joint d'huile et une fuite d'huile des amortisseurs.

Appuyez-vous plusieurs fois de suite sur le siège pour vérifier si l'amortisseur arrière fonctionne convenablement.

Vérifiez visuellement l'amortisseur arrière pour déceler une éventuelle fuite d'huile.

Si vous avez des doutes quant à la performance de l'amortisseur avant ou arrière, contactez un concessionnaire CFMOTO agréé pour une inspection.

ENTRETIEN

Ajustement de l'amortisseur arrière

L'amortisseur arrière 1 a été ajusté à la position optimale avant sa sortie de l'usine, et il convient à la plupart des conditions de conduite.

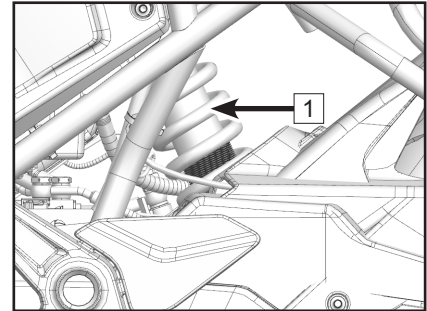
N'ajustez pas la précharge du ressort de l'amortisseur arrière sans comprendre vraiment bien ses effets sur la performance de la suspension.

DANGER

Ce composant contient de l'azote sous haute pression. Une mauvaise utilisation ou manipulation peut provoquer une explosion.

Veuillez lire les instructions appropriées.

Évitez d'exposer l'amortisseur au feu, de le percer ou de l'ouvrir.



ENTRETIEN

Circuit électrique et feux de signalisation

Batterie

La batterie dans ce véhicule est une batterie qui ne nécessite aucun entretien. Par conséquent, il est inutile de vérifier la quantité d'électrolyte de batterie ou d'ajouter de l'eau distillée. Pour assurer une durée de vie optimale de la batterie, vous devez la maintenir chargée correctement afin que sa capacité de réserve soit suffisante pour démarrer le moteur du démarreur. Si la moto est utilisée fréquemment, le système de charge de la moto recharge automatiquement la batterie. Si la moto n'est utilisée que de temps en temps, ou seulement pour de courtes sorties, la batterie peut ne pas être suffisamment chargée. Les batteries peuvent également se décharger progressivement si la moto n'est pas souvent utilisée. Le taux de décharge varie avec le type de batterie et la température ambiante. Par exemple, lorsque la température ambiante s'élève, le taux de décharge pourrait croître de 1 % pour chaque plage d'augmentation de 15°C.

Par temps froid, si la batterie n'est pas chargée correctement, l'électrolyte peut facilement geler, ce qui peut mener à une fissuration de la batterie ou à une déformation des plaques d'électrodes. Une recharge complète et appropriée de la batterie améliore sa capacité de résistance au gel.

AVERTISSEMENT

Pour éviter des dommages et une perte de puissance de la batterie, ne laissez pas le moteur tourner au ralenti pendant plus de 30 minutes. Autrement, la moto pourrait ne pas démarrer.

REMARQUE : En raison de la conception de la moto et de l'emplacement des composants, la pose et la dépose de la batterie devraient être réalisées seulement par des techniciens agréés de CFMOTO dans un atelier convenablement équipé.

ENTRETIEN

Entretien de la batterie

Maintenez la batterie toujours totalement chargée, sinon elle peut s'endommager et voir sa durée de vie diminuée.

Si vous ne conduisez pas souvent le véhicule, vérifiez la tension de la batterie chaque semaine à l'aide d'un voltmètre. Si la tension est inférieure à 12,8 volts, la batterie doit être rechargée au moyen d'un chargeur adéquat (vérifiez auprès de votre concessionnaire). Si vous ne prévoyez pas d'utiliser le véhicule pendant au moins 2 semaines, vous devez charger la batterie à l'aide d'un chargeur approprié à régime lent. N'utilisez pas un chargeur rapide du type chargeur pour automobiles car il pourrait surchauffer la batterie et l'endommager.

Chargeur de batterie

Contactez votre concessionnaire pour obtenir les spécifications d'un chargeur de batterie adéquat.

Recharge de la batterie

- Retirez la batterie du véhicule avant de la recharger.
- Connectez les fils positif et négatif du chargeur et rechargez la batterie à un taux de 1/10e d'ampère de la capacité de la batterie. Par exemple, le taux de recharge d'une batterie de 10 ampères-heures serait de 1 ampère.
- Assurez-vous que la batterie est complètement chargée avant de la réinstaller.

ENTRETIEN

AVERTISSEMENT

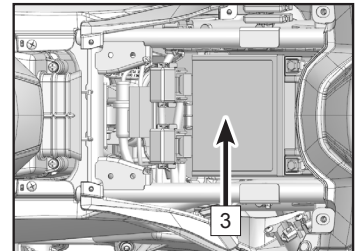
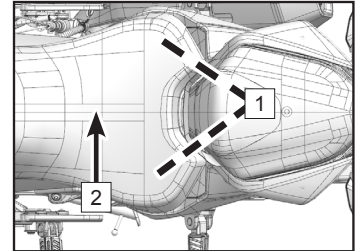
N'installez pas une batterie hydro-électrique ordinaire sur cette moto. Le circuit électrique ne fonctionnera pas correctement et des dommages pourraient en résulter.

Lorsque vous retirez la batterie, déconnectez d'abord la borne négative, puis la borne positive. Pour la réinstallation, faites l'inverse (borne positive d'abord, puis borne négative).

REMARQUE : Lorsque vous chargez une batterie sans entretien, suivez toujours les instructions inscrites sur l'autocollant de la batterie.

Démontage de la batterie

- Garez le véhicule sur un sol ferme et plat.
- Coupez le moteur et l'alimentation électrique du véhicule.
- Insérez la clé dans la serrure du siège.
- Enlevez le boulon du siège **1**.
- Enlevez le siège avant **2**.
- Retirez le fil négatif noir (-).
- Retirez le fil positif rouge (+).
- Enlevez la sangle de retenue de la batterie.
- Retirez la batterie **3**.



ENTRETIEN

Remontage de la batterie

- Garez le véhicule sur un sol ferme et plat.
- Assurez-vous que la clé du contacteur d'allumage est sur la position 'OFF'.
- Mettez la batterie en place.
- Remplacez la sangle de retenue de la batterie.
- Connectez le fil positif rouge (+).
- Connectez le fil négatif noir (-).
- Réinstallez le siège.

AVERTISSEMENT

Évitez tout contact avec la peau, les yeux ou les vêtements, et protégez toujours vos yeux lorsque vous travaillez à proximité des batteries.

Tenez les batteries hors de portée des enfants. Tenez les batteries éloignées des étincelles, des flammes, des cigarettes ou d'autres sources inflammables. Aérez la zone si vous chargez ou utilisez la batterie dans un lieu clos.

Antidote à l'acide de batterie :

EXTERNE : Rincez à l'eau les zones touchées.

INTERNE : Consultez un médecin dans les plus brefs délais.

YEUX : Rincez à l'eau pendant 15 minutes et consultez un médecin dans les plus brefs délais.

REMARQUE : Une séquence incorrecte des fils positif et négatif lors de l'installation et du démontage peut entraîner un court-circuit entre la batterie et le véhicule.

ENTRETIEN

Feux de signalisation du véhicule

Le feu de route et le feu de croisement sont réglables. Tournez la molette de réglage des feux **1** pour les ajuster.

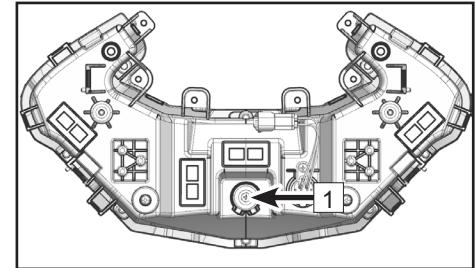
⚠ ATTENTION

L'ajustement des feux de route et de croisement doit être conforme à la réglementation locale. La norme d'utilisation du faisceau de phare est fondée sur le principe suivant : la lumière émise est visible sur la route lorsque les roues avant et arrière sont en contact avec le sol, et le conducteur est assis sur le véhicule.

Tous les feux utilisent des lumières à DEL (diodes électroluminescentes) qui sont irréparables si elles tombent en panne ou sont endommagées. Demandez à votre concessionnaire de remplacer l'ensemble si une DEL est endommagée ou défectueuse.

⚠ CAUTION

Ne laissez pas les feux allumés trop longtemps si le moteur ne tourne pas. Le phare longtemps allumé sans le moteur en marche utilisera la puissance de la batterie et empêchera le moteur de démarrer.



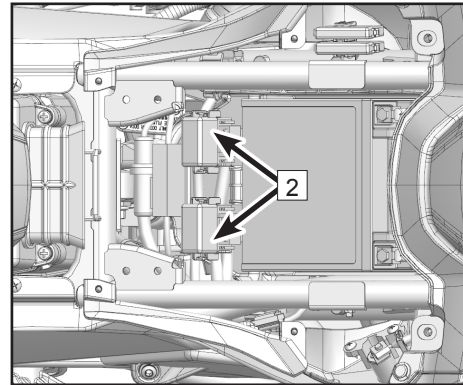
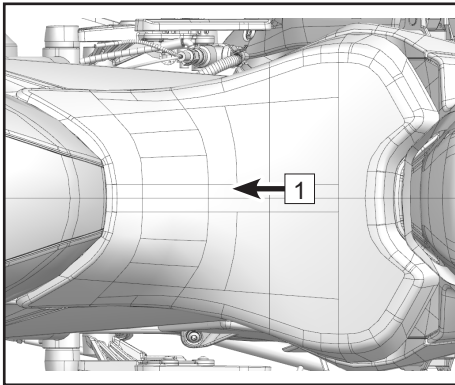
ENTRETIEN

Fusibles

Le boîtier des fusibles **2** est situé sous le siège **1**. On peut le voir lorsque le siège a été retiré. Lorsqu'un fusible est grillé, vérifiez si le circuit électrique est endommagé. Remplacez toujours un fusible défectueux par un fusible de même type et de même calibre.

AVERTISSEMENT

N'utilisez jamais un matériau conducteur à la place du fusible standard recommandé. Remplacez un fusible grillé par un fusible de même type et de même ampérage. La valeur en ampères est indiquée sur le fusible.



ENTRETIEN

Convertisseur catalytique

Cette moto est équipée d'un convertisseur catalytique dans le système d'échappement. Le platine et le rhodium qui se trouvent à l'intérieur du convertisseur réagissent avec les émissions de monoxyde de carbone et d'hydrocarbures du moteur pour les transformer en dioxyde de carbone et en eau, ce qui produit des gaz d'échappement plus propres émis dans l'atmosphère.

Pour un fonctionnement adéquat du convertisseur catalytique, prenez les précautions suivantes :

Utilisez seulement de l'essence sans plomb. Évitez l'essence au plomb car elle réduit considérablement la durée de vie du convertisseur catalytique.

Ne laissez pas le véhicule dérapier lorsque le contacteur d'allumage ou le commutateur d'arrêt est sur 'OFF'. N'essayez pas de faire démarrer le moteur plusieurs fois de suite lorsque la batterie est sous-chargée. Dans ces conditions indésirables, un mélange supplémentaire d'air/carburant non brûlé risque d'atteindre le système d'échappement, accélérant la réaction avec le convertisseur catalytique, ce qui provoquerait la surchauffe et l'endommagement du convertisseur quand le moteur est chaud, ou une réduction de la performance du convertisseur quand le moteur est froid.

AVERTISSEMENT

Utilisez seulement de l'essence sans plomb. Une essence qui contient même un peu de plomb pourrait endommager les métaux précieux à l'intérieur du convertisseur catalytique et entraîner sa défaillance. N'ajoutez jamais d'huile antirouille ou d'huile moteur dans le silencieux, car cela pourrait provoquer une défaillance du convertisseur catalytique.

ENTRETIEN

Système EVAP

(système de recyclage des vapeurs de carburant)

Ce véhicule est équipé d'un système EVAP. Les vapeurs de carburant du réservoir d'essence sont aspirées dans un réservoir de carbone à travers un tube d'absorption. Lorsque le moteur est arrêté, les vapeurs de carburant sont absorbées par une cartouche qui contient du charbon actif. Lorsque le moteur tourne, les vapeurs de carburant absorbées dans la cartouche de charbon actif pénètrent dans l'admission d'air et brûlent dans un processus normal de combustion, évitant ainsi d'être émises directement dans l'air et de polluer l'environnement. Dans le même temps, la pression de l'air à l'intérieur du réservoir de carburant est équilibrée par le système EVAP. Si la pression interne du réservoir de carburant est inférieure à celle du dehors, elle permet de renouveler la pression de l'air grâce au tube d'aération du réservoir à charbon actif et au tube d'absorption. Le système EVAP doit toujours rester en bon état de fonctionnement, sans être obstrué, ni pincé ou compressé, sinon cela pourrait endommager la pompe à essence et déformer ou briser le réservoir de carburant.

Contactez votre concessionnaire CFMOTO si le système de recyclage des vapeurs de carburant (ou un de ses composants) tombe en panne. Ne modifiez pas le système EVAP sinon il ne pourra pas satisfaire aux prescriptions des règlements relatifs aux émissions dans l'environnement. Après une réparation, les raccordements des tubes doivent être bien scellés, et ils ne doivent présenter aucune fuite d'air, ni être bloqués, comprimés, brisés, endommagés, etc.

NETTOYAGE ET REMISAGE DE LA MOTO

Précautions générales

Vous prolongerez la durée de vie de votre moto en la gardant propre et au mieux de sa performance. Couvrir votre moto d'une housse de qualité et respirante aidera à protéger le véhicule pendant son remisage.

- Nettoyez toujours la moto une fois que le moteur et le système d'échappement sont refroidis.
- Évitez d'utiliser des détergents agressifs sur les joints, les plaquettes de frein et les pneus.
- Laver le véhicule à la main. N'utilisez pas de jet à haute pression.
- Évitez tout produit agressif tel que des produits chimiques, solvants, détergents et produits d'entretien ménager comme l'ammoniaque.
- L'essence, le liquide de frein et le liquide de refroidissement endommageront les surfaces en plastique peintes. Lavez immédiatement les surfaces en plastique éclaboussées par ces produits.
- Évitez les brosses métalliques, la laine d'acier et autres tampons ou brosses abrasifs pour nettoyer le véhicule.
- Faites très attention en lavant le pare-brise, le couvre-phare et d'autres pièces en plastique, car ils peuvent se rayer facilement.
- Évitez les jets d'eau à haute pression, car l'eau pourrait pénétrer dans les joints et les composants électriques, et endommager le véhicule.
- Évitez d'arroser avec de l'eau les endroits comme les admissions d'air, le circuit de carburant, les composants électriques, les sorties du silencieux et le verrou du réservoir d'essence.

NETTOYAGE ET REMISAGE DE LA MOTO

Lavage de la moto

- Rincez à l'eau froide pour enlever toute saleté non adhérente.
- Mélangez un détergent doux pour motos ou automobiles avec de l'eau dans un seau. Utilisez un chiffon doux ou une éponge douce pour laver votre moto. Si nécessaire, utilisez un dégraissant doux pour éliminer les dépôts d'huile ou de graisse. Commencez par le dessus de la moto, puis lavez les parties inférieures en dernier.
- Après le lavage, rincez la moto avec de l'eau propre pour enlever tout résidu (les résidus de détergent peuvent endommager les composants de la moto).
- Séchez la moto à l'aide d'un chiffon doux et vérifiez qu'il n'y a pas d'éraflures.
- Démarrez le moteur et faites-le tourner au ralenti pendant quelques minutes. La chaleur du moteur aidera à sécher les zones humides du véhicule.
- Conduisez prudemment la moto à vitesse réduite et appliquez les freins plusieurs fois. Ceci permettra de sécher les freins et de rétablir la performance normale du véhicule.
- Lubrifiez la chaîne de transmission pour empêcher la rouille.

REMARQUE :

Si vous conduisez la moto sur des routes recouvertes de sel d'épandage ou dans des zones proches de l'océan, nettoyez la moto immédiatement à l'eau froide après la conduite. N'utilisez pas d'eau chaude pour laver votre véhicule car elle accélère la réaction chimique du sel. Après le séchage du véhicule, appliquez un spray anticorrosion sur toutes les surfaces métalliques ou chromées pour éviter la corrosion. Si vous conduisez par temps pluvieux ou si vous venez juste de laver la moto, de la condensation peut se former sur l'intérieur de la lentille du phare. Dans ce cas, démarrez le moteur et allumez le phare pour éliminer l'humidité.

NETTOYAGE ET REMISAGE DE LA MOTO

Protection de la surface

Après le lavage de votre moto, cirez les surfaces peintes, métalliques et plastiques, à l'aide d'une cire spéciale pour motos et automobiles disponible sur le marché. De la cire doit être appliquée tous les trois mois ou chaque fois que les conditions l'exigent afin d'éviter que la surface ne montre des lignes satinées ou un aspect terne. Utilisez toujours des produits non abrasifs et appliquez-les en respectant les instructions.

Pare-brise et autres pièces en plastique

Après le lavage, utilisez un chiffon doux pour sécher délicatement les pièces en plastique. Une fois le véhicule sec, traitez le pare-brise, la lentille du phare et les autres pièces en plastique non peintes à l'aide d'un produit à nettoyer ou à polir, recommandé pour le plastique.

ATTENTION

Les pièces en plastique peuvent se détériorer et se briser si elles entrent en contact avec des substances chimiques ou des produits d'entretien ménager tels que l'essence, le liquide de frein, les nettoie-vitres, l'adhésif pour fixation de filetage, ou autres produits chimiques agressifs. Si une pièce en plastique entre en contact avec une substance chimique agressive, lavez-la avec de l'eau puis vérifiez si elle est endommagée. Évitez l'emploi de tampons abrasifs ou de brosses abrasives pour nettoyer les pièces en plastique, car elles en éliminent le lustre.

NETTOYAGE ET REMISAGE DE LA MOTO

Chrome et aluminium

S'ils sont exposés à l'air, l'alliage au chrome et les pièces nues en aluminium peuvent s'oxyder, ternir et perdre leur lustre. Ces pièces doivent être nettoyées avec un détergent et lustrées à l'aide d'un spray de polissage. Les roues en aluminium peintes et non peintes doivent être nettoyées avec un détergent spécial.

Éléments en cuir, en vinyle et en caoutchouc

Si votre moto est munie d'accessoires en cuir, utilisez un produit de nettoyage/traitement spécial pour le cuir. Laver des éléments en cuir avec du détergent et de l'eau les endommagera et réduira leur durée de vie. Les éléments en vinyle doivent être nettoyés séparément.

Les pneus et autres composants en caoutchouc doivent être traités à l'aide d'un produit de protection du caoutchouc afin de préserver leur durée de vie.

DANGER

Il faut porter une attention particulière au traitement des pneus et éviter que le produit de protection du caoutchouc qui est appliqué n'affecte pas leurs fonctions. Si les pneus ne sont pas traités convenablement, leur adhérence au sol peut diminuer et provoquer éventuellement une perte de contrôle de la moto.

NETTOYAGE ET REMISAGE DE LA MOTO

Préparation pour le remisage

Nettoyez méticuleusement tout le véhicule.

Faites tourner le moteur pendant environ 5 minutes, coupez le moteur, puis vidangez toute l'huile moteur et changez le filtre à huile.

DANGER

L'huile pour moto est une substance toxique. Éliminez l'huile usagée de manière appropriée. Tenez l'huile usagée hors de portée des enfants. Si de l'huile entre en contact avec la peau, lavez immédiatement la zone touchée.

Remplissez avec de l'huile moteur fraîche.

Faites le plein de carburant et ajoutez un additif adéquat pour carburant.

DANGER

L'essence est très inflammable et peut être explosive dans certaines conditions. Tournez la clé de contact sur la position "OFF". Ne fumez pas. Assurez-vous que la zone est bien aérée et qu'elle ne contient aucune source de flammes ou d'étincelles. Ceci inclut tout appareillage avec un brûleur à flamme pilote. L'essence est une substance toxique. Éliminez l'essence de manière appropriée. Tenez l'essence hors de portée des enfants. Si de l'essence entre en contact avec la peau, il faut traiter la zone touchée immédiatement.

Réduisez la pression des pneus de 20 % tout au long de la période de remisage.

Soulevez les roues et placez des planches de bois (ou tout autre matériau) sous les roues de la moto pour éviter que l'humidité atteigne le véhicule.

NETTOYAGE ET REMISAGE DE LA MOTO

Vaporisez un inhibiteur de corrosion sur toutes les surfaces métalliques non peintes pour empêcher la rouille. Évitez de vaporiser sur les pièces en caoutchouc ou sur les freins.

Lubrifiez la chaîne de transmission et tous les câbles.

Retirez la batterie. Entrez-la dans un endroit frais et sec, à l'abri du soleil. Assurez-vous que la batterie est complètement chargée selon le Calendrier d'entretien périodique.

Attachez des sacs de plastique par-dessus le pot d'échappement pour empêcher l'humidité d'y pénétrer.

Placez une housse sur la moto pour éviter l'accumulation de poussière et de saleté.

Préparation après le remisage

Enlevez les sacs de plastique recouvrant le pot d'échappement.

Vérifiez l'état de la batterie. Rechargez-la si nécessaire, puis installez-la sur la moto.

Lubrifiez tous les points de pivot selon les besoins (leviers du guidon, pédale, etc.

Vérifiez tous les points énumérés dans la section Inspection quotidienne de sécurité.

Faites un essai de conduite à basse vitesse pour vérifier que le véhicule fonctionne normalement.

Transport du véhicule

Si votre véhicule doit être transporté, il doit être installé sur une remorque porte-motos, un camion à plateau ou une remorque munie d'une rampe de chargement ou d'une plate-forme de levage, et il doit être solidement fixé à l'aide de sangles d'arrimage pour motos. N'essayez jamais de remorquer ou de tirer votre véhicule avec une roue ou les deux roues au sol.

PROBLÈMES GÉNÉRAUX ET CAUSES POSSIBLES

Problème	Composants	Cause possible	Solution
Moteur défaillant ou ne démarre pas	Circuit de carburant	Manque d'essence dans le réservoir à carburant	Faites le plein
		Pompe bloquée ou endommagée. Carburant de mauvaise qualité	Nettoyez ou remplacez
	Système d'allumage	Défaillance de bougie d'allumage : dépôts excessifs de carbone, trop longue durée d'utilisation	Vérifiez ou remplacez
		Défaillance du capuchon de bougie d'allumage : mauvais contact ou capuchon brûlé	Vérifiez ou remplacez
		Défaillance de bobine d'allumage : mauvais contact ou bobine brûlée	Vérifiez ou remplacez
		Défaillance de l'ECU : mauvais contact ou ECU brûlé	Vérifiez ou remplacez
		Défaillance de bobine de déclenchement : mauvais contact ou bobine brûlée	Vérifiez ou remplacez
		Défaillance du stator : mauvais contact ou stator brûlé	Vérifiez ou remplacez
		Défaillance de câblage : mauvais contact	Vérifiez ou ajustez

PROBLÈMES GÉNÉRAUX ET CAUSES POSSIBLES

Problème	Composants	Cause possible	Solution
Moteur défaillant ou ne démarre pas	Compression - cylindre	Défaillance du mécanisme de démarrage : usé ou endommagé	Vérifiez ou remplacez
		Défaillances de soupapes d'admission et d'échappement, des sièges de soupape : trop de colloïdes dans l'essence ou trop longue durée d'utilisation	Vérifiez ou remplacez
		Défaillance de cylindre, de piston, de segment de piston : trop de colloïdes dans l'essence ou usure	Vérifiez ou remplacez
		Fuite dans le collecteur d'admission : trop longue durée d'utilisation	Vérifiez ou remplacez
		Défaillance du réglage de distribution	Vérifiez ou remplacez

PROBLÈMES GÉNÉRAUX ET CAUSES POSSIBLES

Problème	Composants	Cause possible	Solution
Puissance insuffisante	Soupape et piston	Soupapes d'admission et d'échappement, dépôts excessifs de carbone dans les pistons : mauvaise qualité de carburant et mauvaise qualité d'huile moteur	Réparez ou remplacez
	Embrayage	Glissement de l'embrayage : mauvaise qualité d'huile moteur, trop longue durée d'utilisation et surcharge	Ajustez ou remplacez
	Cylindre et segment de piston	Usure du cylindre, des segments de pistons : mauvaise qualité d'huile moteur, trop longue durée d'utilisation	Remplacez l'huile
	Frein	Séparation incomplète du frein : frein trop serré	Ajustez
	Chaîne principale	Chaîne de transmission trop tendue : ajustement inadéquat	Ajustez
	Moteur	Surchauffe du moteur : mélange trop riche ou trop pauvre, mauvaise qualité d'huile, mauvaise qualité de carburant, caisson, etc.	Ajustez ou remplacez
	Bougie d'allumage	Écart de bougie inadéquat; recommandation normale : 0,7 mm à 0,9 mm	Ajustez ou remplacez
	Conduit d'admission	Fuite d'air dans le conduit d'admission : trop longue durée d'utilisation	Ajustez ou remplacez
	Culasse	Fuite d'air dans la culasse ou les soupapes	Vérifiez ou remplacez
	Circuit électrique	Défaillance du circuit électrique	Vérifiez ou réparez
	Filtre à air	Filtre à air obstrué	Remplacez

PROBLÈMES GÉNÉRAUX ET CAUSES POSSIBLES

Problème	Composants	Cause possible	Solution
Phares et feux arrière en panne	Câbles	Mauvaises connexions	Ajustez
	Boutons gauche et droit	Mauvais contact ou endommagement des boutons	Ajustez ou remplacez
	Phare	Défaillance ou endommagement des lampes ou des douilles	Ajustez ou remplacez
	Régulateur	Vérification. Mauvaise connexion ou régulateur brûlé	Vérifiez ou remplacez
	Magnéto	Vérifiez la bobine : mauvaise connexion ou bobine brûlée	Vérifiez ou remplacez
Avertisseur sonore en panne	Batterie	Pas d'alimentation électrique	Rechargez ou remplacez la batterie
	Bouton gauche	Défaillance ou endommagement du bouton de l'avertisseur sonore	Ajustez ou remplacez
	Câbles	Mauvaise connexion	Ajustez ou réparez
	Avertisseur sonore	Endommagement de l'avertisseur sonore	Ajustez ou remplacez

PROBLÈMES GÉNÉRAUX ET CAUSES POSSIBLES

Les éléments mentionnés plus haut sont les défaillances courantes d'une moto. Si votre moto tombe en panne (en particulier à cause du système d'injection électronique de carburant, du système de recyclage des vapeurs de carburant, ou du système d'alarmes), contactez un concessionnaire CFMOTO agréé pour vérifier et réparer le véhicule.

DANGER

N'essayez pas de réparer des défaillances sans aide professionnelle, car cela pourrait occasionner des accidents. Vous devenez responsable des accidents liés à toute réparation ou à tout entretien non effectué par un concessionnaire CFMOTO agréé.

Signalement de défauts compromettant la sécurité

Si vous soupçonnez que votre véhicule a un défaut qui pourrait causer un accident ou des blessures graves ou mortelles, informez-en immédiatement la National Highway Traffic Safety Administration (NHTSA) de même que CFMOTO-USA. Si la NHTSA reçoit des plaintes similaires, elle peut ouvrir une enquête et, si elle découvre qu'un défaut de sécurité existe dans un groupe de véhicules, elle peut ordonner le lancement d'une campagne de rappel. Veuillez noter que la NHTSA ne peut être impliquée dans des problèmes éventuels entre vous et votre concessionnaire ou CFMOTO-USA.

Pour communiquer avec la NHTSA, vous pouvez appeler sans frais la ligne directe en matière de sécurité automobile au 1-888-327-4236 (télécopieur : 1-800-424-9153) ; allez sur <http://www.safercar.gov> ; ou écrivez aux soins de : Administrator, NHTSA J200 New Jersey Avenue SE, West Building, Washington DC, 20590. Vous pouvez également obtenir d'autres renseignements sur la sécurité des véhicules automobiles sur <http://www.safercar.gov>

GARANTIE LIMITÉE DE CFMOTO POUR LES ÉTATS-UNIS

Information sur la garantie

Changement de propriétaire

Si vous vendez votre véhicule, toute la période restante valide de la garantie peut être transférée au nouveau propriétaire. Veuillez enregistrer les détails de l'échange dans le formulaire ci-dessous et informer un concessionnaire CFMOTO agréé :

Changement de propriétaire	Acheteur original	2 ^{ème} propriétaire	3 ^{ème} propriétaire	4 ^{ème} propriétaire
Nom du propriétaire				
Adresse				
Ville				
Province/code postal				
Téléphone				
Courriel				
Date d'achat				
Relevé du compteur				
Signature du nouveau propriétaire				

REMARQUE : Si le formulaire de Changement de propriétaire rempli ne comprend pas les détails requis ou est inexact, CFMOTO se réserve le droit d'enquêter sur le propriétaire réel du produit et l'historique de l'entretien et des réparations, et de refuser possiblement la demande de transfert de garantie si les conditions n'ont pas été respectées.

GARANTIE LIMITÉE DE CFMOTO POUR LES ÉTATS-UNIS

Cher client

Merci d'acheter un produit CFMOTO. Si un composant de votre véhicule s'avère défectueux en raison d'un vice de matériaux ou de fabrication alors qu'il est couvert par les modalités et conditions de cette garantie limitée pour motos de CFMOTO, le composant défectueux sera réparé ou remplacé (au choix de CFMOTO) sans frais pour les pièces et/ou la main-d'œuvre chez tout concessionnaire agréé dans le pays d'achat du véhicule. Cette garantie couvre les pièces et les frais de main-d'œuvre pour la réparation ou le remplacement des pièces défectueuses, et débute à la date d'achat par le propriétaire original. La présente garantie est transmissible à un autre propriétaire au cours de la période de garantie par un concessionnaire CFMOTO agréé, mais un tel transfert ne prolongera pas la durée originale de la garantie. La garantie limitée de CFMOTO est soumise aux conditions générales suivantes :

MODALITÉS ET CONDITIONS DE LA GARANTIE

Cette garantie limitée de CFMOTO est assujettie aux conditions générales suivantes :

- 1. DURÉE DE LA GARANTIE :** La durée de la période de garantie est de deux (2) ans à partir de la date d'achat du nouveau véhicule auprès d'un concessionnaire autorisé de CFMOTO.
- 2. LIMITATIONS DE LA GARANTIE :** Cette garantie limitée de CFMOTO exclut toute panne qui n'est pas causée par un vice de matériau ou de fabrication. Cette garantie ne couvre pas les défaillances dues aux dommages accidentels, à l'usure normale, un emploi abusif ou à une utilisation inadéquate. Cette garantie exclut également les pièces et composants soumis à une usure générale, les pièces exposées à des surfaces de frottement et les pièces exposées aux conditions climatiques ou aux contaminants environnementaux pour lesquels ils n'ont pas été conçus. Cette garantie ne fournit aucune assurance pour le transport de la moto vers et depuis le concessionnaire, ou pour toute perte de temps personnel.

GARANTIE LIMITÉE DE CFMOTO

3. EXCLUSIONS DE LA GARANTIE : Tout dommage attribuable aux actes ou circonstances ci-après n'est pas couvert par la garantie limitée de CFMOTO :

- Incendie
- Collision
- Vol
- Catastrophes naturelles inévitables
- Remisage ou transport inadéquats
- Non-respect ou négligence du calendrier d'entretien périodique du véhicule
- Utilisation ou conduite inadéquate ou négligente du véhicule
- Réparation ou réglages non autorisés
- Modifications ou améliorations de la performance non autorisées
- Utilisation du véhicule comme véhicule de location ou toute utilisation générant des revenus
- Utilisation du véhicule dans des courses ou des compétitions
- Utilisation de composants du marché secondaire ou non standards
- Ingestion des substances étrangères
- Accessoires ou pièces détachées
- Carburant, liquides ou lubrifiants non recommandés

GARANTIE LIMITÉE DE CFMOTO

4. RESPONSABILITÉS DU PROPRIÉTAIRE : À titre de propriétaire, vous êtes tenu d'utiliser le véhicule de façon appropriée et d'en effectuer l'entretien tel qu'il est indiqué dans le Manuel du propriétaire. Toutes les réparations sous garantie doivent être exécutées exclusivement par des concessionnaires autorisés de CFMOTO. Tout travail sous garantie effectué par d'autres personnes qu'un concessionnaire autorisé de CFMOTO ne sera couvert par la garantie limitée de CFMOTO.

5. TRANSFERT OU MAINTIEN DE LA GARANTIE : Cette garantie est transférable à condition de fournir les informations suivantes à un concessionnaire autorisé de CFMOTO :

- a. Le modèle et le numéro de série complets tels qu'ils sont inscrits sur le document original de garantie.
- b. Le nom et l'adresse du propriétaire actuel et du ou des nouveaux propriétaires.
- c. La date de livraison originale du véhicule.
- d. Le nouveau (la nouvelle) propriétaire doit indiquer par écrit qu'il (elle) a reçu et lu le Manuel du propriétaire et la garantie de CFMOTO.
- e. CFMOTO peut demander au concessionnaire de fournir une évaluation de l'état du véhicule avant l'approbation.

6. ASSISTANCE AU CLIENT : Toute question ou préoccupation à propos de votre véhicule CFMOTO ou de produits CFMOTO connexes doit être adressée à un concessionnaire autorisé de CFMOTO. Toutefois, si un concessionnaire est dans l'impossibilité de répondre aux préoccupations du client ou à un problème de produit, le client peut communiquer directement avec le service à la clientèle de CFMOTO par téléphone en faisant le (763) 398-2690 ou 888-8CFMOTO, et par courriel à l'adresse : info@cfmotousa.com. Veuillez noter que le service à la clientèle ne peut ni approuver, ni modifier ou refuser la garantie, et ne peut fournir aucun renseignement technique sur une réparation, ni aucun diagnostic, des instructions ou d'autres informations au-delà de ce qui est fourni dans le Guide de l'utilisateur.

GARANTIE LIMITÉE DE CFMOTO POUR LES ÉTATS-UNIS

7. SYSTÈME DE LUTTE CONTRE LE BRUIT ET ALTÉRATION DU SYSTÈME : La loi fédérale américaine interdit les actes suivants et interdit aussi de s'y livrer :

- a) L'enlèvement ou la neutralisation par quiconque, autrement que pour des raisons d'entretien, de réparation ou de remplacement, de tout dispositif ou élément de conception intégré à tout véhicule neuf dans le but de lutter contre le bruit, avant sa vente ou livraison à l'acheteur final ou pendant que le véhicule est en usage;
- b) L'utilisation du véhicule après qu'un tel dispositif ou élément ait été retiré ou neutralisé par qui que ce soit.
- c) L'utilisation des composants du marché secondaire ou de composants qui ne sont pas des remplacements directs des pièces installées au moment de la fabrication du véhicule.
- d) De tels composants incluent, mais sans en exclure d'autres, les silencieux, pots d'échappement, boîtiers ou carters du filtre à air, éléments de filtre à air, ou conduit d'entrée d'air.

8. GARANTIE DU DISPOSITIF ANTIPOLLUTION : CFMOTO garantit également à l'acheteur final et à chaque acheteur suivant de chaque moto CFMOTO couverte par cette garantie limitée que, au moment de la vente initiale, ce véhicule est conçu, construit et équipé d'une manière conforme à toutes les normes fédérales américaines sur les émissions polluantes en vigueur au moment de la fabrication. CFMOTO garantit également que le véhicule est exempt de vice de matériaux et de fabrication qui pourraient entraîner la non-conformité à ces règlements. Dans l'éventualité d'un problème couvert par la garantie, CFMOTO réparera gratuitement votre moto, cette réparation incluant le diagnostic, les pièces et la main-d'œuvre, durant la période de garantie décrite dans la clause « *Période de garantie contre les émissions* ».

GARANTIE LIMITÉE DE CFMOTO POUR LES ÉTATS-UNIS

Période de garantie contre les émissions :

CFMOTO garantit que chaque nouvelle moto CFMOTO fabriquée à partir de 2021 comprend, en équipement standard, un phare, un feu arrière et un feu de freinage, qu'elle est conforme au code de la sécurité routière, et qu'elle est exempte de vices de matériaux et de fabrication qui pourraient entraîner la non-conformité aux règlements en vigueur de l'Agence américaine pour la protection de l'environnement (EPA). Cette période de garantie couvre une période d'utilisation de cinq (5) ans ou 30 000 km (18 641 miles), selon la première éventualité, pour les motos cylindrées de 300 cc et plus, et une période d'utilisation de cinq (5) ans ou 12 000 km (7456 miles), selon la première éventualité, pour les motos cylindrées de 125 cc.

Le système anti-pollution inclut ce qui suit :

I. En ce qui concerne les émissions polluantes d'échappement, les composants reliés aux émissions comprennent toutes les pièces du moteur associées aux systèmes suivants :

- Système d'admission d'air
- Système d'alimentation de carburant
- Système d'allumage
- Système de recirculation de gaz d'échappement

II. Les pièces suivantes sont aussi considérées comme des composants reliés aux émissions polluantes d'échappement :

- Appareils de traitement secondaire
- Soupapes de ventilation du carter moteur
- Capteurs
- Blocs de commande électronique

GARANTIE LIMITÉE DE CFMOTO POUR LES ÉTATS-UNIS

III. Les pièces suivantes sont considérées comme des composants reliés aux émissions de vapeurs de carburant (le cas échéant) :

- Réservoir de carburant
- Bouchon du réservoir de carburant
- Conduite de carburant
- Raccords de la conduite de carburant

IV. Les composants reliés au contrôle des émissions polluantes comprennent également toute autre pièce dont le but unique consiste à réduire les émissions ou dont la défaillance augmenterait les émissions sans affecter de façon significative la performance des équipements et du moteur.

9. CLAUSE DE NON-GARANTIE : AUCUNE AUTRE GARANTIE N'EST FOURNIE PAR CFMOTO EN CE QUI CONCERNE LES MOTOCYCLETTES CFMOTO, SAUF SI UNE TELLE GARANTIE EST SPÉCIFIQUEMENT ÉNONCÉE DANS LA PRÉSENTE. TOUTE GARANTIE TACITE, GARANTIE DE QUALITÉ MARCHANDE, GARANTIE D'ADAPTATION À UN USAGE PARTICULIER, ET TOUTES LES GARANTIES IMPLICITES DÉRIVANT D'OPÉRATIONS COMMERCIALES, D'UN USAGE DU COMMERCE, EN VERTU DE LA LOI OU AUTREMENT, SONT STRICTEMENT LIMITÉES AUX MODALITÉS ET CONDITIONS DE LA PRÉSENTE GARANTIE LIMITÉE ÉCRITE POUR LA MOTO.

GARANTIE LIMITÉE DE CFMOTO POUR LES ÉTATS-UNIS

10. INTÉGRALITÉ : Cette garantie limitée remplace toutes les autres garanties orales, expresses ou écrites, de même que les déclarations ou entreprises qui auraient pu avoir été faites précédemment, et contient l'intégralité de l'accord des parties relativement à la garantie des véhicules de CFMOTO. Toutes les garanties non contenues dans cet accord en sont expressément exclues. Cette garantie limitée sera le seul recours exclusif possible pour le client en ce qui concerne le véhicule garanti de CFMOTO. En cas de violation prétendue d'une garantie quelle qu'elle soit, ou d'une poursuite en justice intentée par le client sur la base d'une prétendue négligence ou autre inconduite par CFMOTO, ou ses sociétés affiliées, le seul et exclusif recours du client sera une réparation ou un remplacement des composants défectueux comme énoncé ci-dessus, sauf disposition contraire de la loi. Certains États n'autorisent pas de limitation à la durée d'une garantie tacite, ce qui fait que les limitations ci-dessus peuvent ne pas s'appliquer si elles sont jugées contraires à la législation des États respectifs.

GARANTIE LIMITÉE DE CFMOTO POUR LES ÉTATS-UNIS
DÉCLARATION DE GARANTIE SELON LES NORMES CALIFORNIENNES RELATIVE AUX
COMPOSANTS ANTIPOLLUTION

DROITS ET OBLIGATIONS DU PROPRIÉTAIRE EN VERTU DE LA GARANTIE

En Californie, les nouveaux véhicules motorisés doivent être conçus, construits et équipés de façon à satisfaire aux strictes normes anti-pollution de l'État. CFMOTO Powersports, Inc. garantit les composants du système antipollution sur votre moto pour la durée stipulée ci-dessous, à condition que votre véhicule n'ait pas fait l'objet d'abus, de négligence ou d'entretien inadéquat qui provoqueraient une défaillance du système anti-pollution.

Les composants du système antipollution peuvent inclure des pièces telles que le carburateur ou le système d'injection de carburant, le système d'allumage, le convertisseur catalytique et l'ordinateur du moteur. Sont également inclus les tuyaux, courroies, connecteurs et d'autres composants associés au recyclage des vapeurs de carburant. S'il s'agit d'une condition sous garantie, CFMOTO Powersports, Inc. réparera votre moto gratuitement, y compris le diagnostic, les pièces et la main-d'œuvre.

PÉRIODE DE GARANTIE DU FABRICANT :

1. La garantie du fabricant couvre une période d'utilisation de 12 000 km ou cinq (5) ans, selon la première éventualité ;
2. Si une pièce liée aux émissions polluantes est défectueuse, la pièce sera réparée ou remplacée par CFMOTO Powersports, Inc. Ceci constitue votre GARANTIE CONTRE LES DÉFAILLANCES du système antipollution.

GARANTIE LIMITÉE DE CFMOTO POUR LES ÉTATS-UNIS RESPONSABILITÉS DU PROPRIÉTAIRE EN VERTU DE LA GARANTIE

- À titre de propriétaire de la moto, vous êtes tenu d'effectuer l'entretien tel qu'il est indiqué dans le Manuel du propriétaire. CFMOTO Powersports, Inc. vous conseille de conserver tous les reçus relatifs aux travaux de maintenance réalisés sur votre (voiture, camion, ou moto), mais CFMOTO Powersports, Inc. ne peut pas refuser les réclamations sous garantie seulement en raison de l'absence de reçus ou de votre non-respect à assurer la mise en œuvre d'un entretien programmé.

- Vous êtes responsable de présenter votre moto à un concessionnaire de CFMOTO Powersports, Inc. dès qu'un problème surgit. Les réparations couvertes par la garantie doivent être réalisées dans un délai raisonnable ne dépassant pas 30 jours.

- En tant que propriétaire de la moto, vous devez également savoir que CFMOTO Powersports, Inc. pourrait vous refuser la garantie si votre moto ou une de ses pièces s'avère défectueuse par suite d'un usage abusif, d'une négligence, d'un mauvais entretien ou de modifications non approuvées.

Si vous avez des questions à propos de vos droits et responsabilités quant à la garantie, vous devez communiquer avec CFMOTO Powersports, Inc. en faisant le (763) à 398-2690 ou avec le *California Air Resources Board* à l'adresse : 4001 Iowa Avenue, Riverside, CA 92507.

BOÎTIER TÉLÉMATIQUE (T-BOX)

Boîtier télématique ou T-BOX (disponible dans certains pays)

Dans certains pays, ce véhicule CFMOTO est équipé d'un boîtier de connexions intelligent, ou T-Box. Ce dispositif aide à établir un pont de communication entre le propriétaire grâce à l'appli CFMOTO RIDE qui peut être installée sur un téléphone intelligent Android ou Apple. Contactez votre concessionnaire pour plus de renseignements sur la disponibilité et les caractéristiques de l'appli CFMOTO RIDE dans votre pays.



Scannez le code 2D pour télécharger
l'appli CF MOTO RIDE



**MANUFACTURED BY/FABRIQUÉ PAR :
ZHEJIANG CFMOTO POWER CO., LTD.**

Add: NO.116, Wuzhou Road, Yuhang Economic Development
Zone, Hangzhou 311100, Zhejiang Province, China
Tel: 86-571-86258863 Fax: +86-571-89265788
E-mail/courriel : service@cfmoto.com.cn <http://global.cfmoto.com>

**DISTRIBUTED BY/DISTRIBUÉ PAR :
CFMOTO POWERSPORTS INC.**

3555 Holly Lane N. Suite #30, Plymouth MN, 55447, USA
Toll free/Sans frais: (888) 8-CFMOTO (823-6686)
Tel: (1) 763-398-2690 Fax: (1) 763-398-2695
www.cfmotousa.com

**DISTRIBUTED BY/DISTRIBUÉ PAR :
CANADA MOTOR IMPORT INC.**

24, rue Industrielle, Saint-Benoît Labre,
Québec, Canada, G0M 1P0
Tel: 418-227-2077
www.cfmoto.ca